

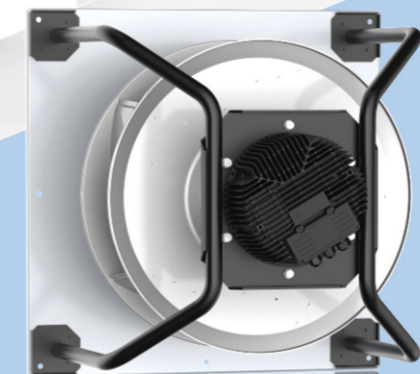
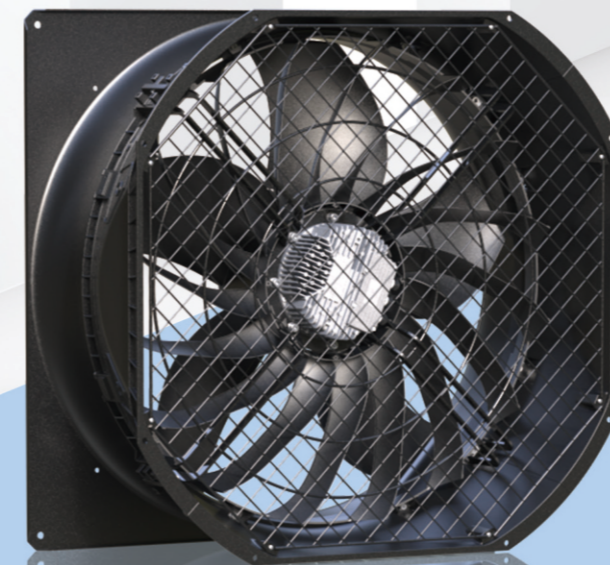
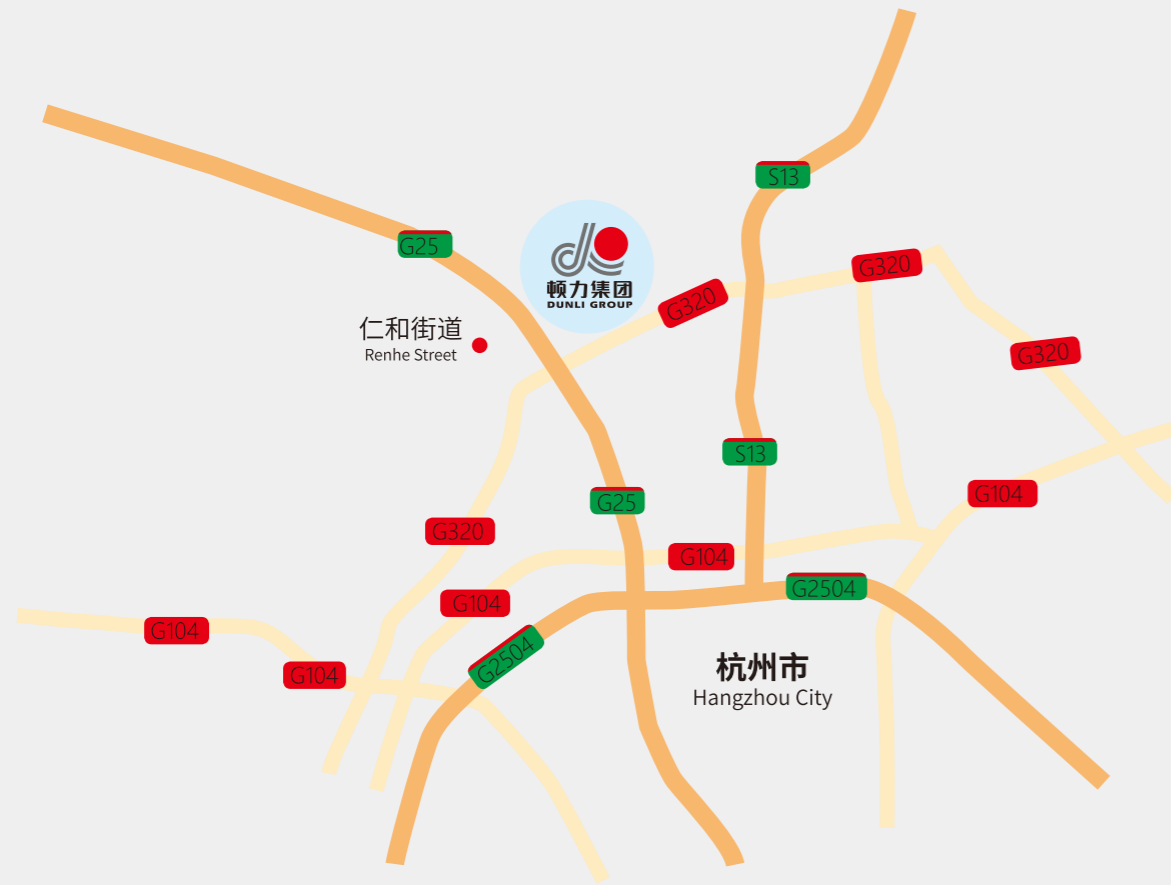


# 直流风机产品手册

Catalog for EC/DC Fans

Ver. 2024 CN/EN

直流风机产品手册 2024



顿力集团 | 杭州顿力风机有限公司  
DUNLI GROUP | HANGZHOU DUNLI MOTOR FANS CO., LTD.

地址：中国杭州余杭区仁和街道顿力路1号 邮编：311107

Address: No. 1 Dunli Road, Renhe Street, Yuhang District, Hangzhou, Zhejiang 311107, China

电话：0571-86301777/0571-86302282(国内)

Tel: +86-571-86302059(International)

传真：0571-8630 1666 (国内)

Fax: +86-571-8630 0200 (International)

邮箱：dunlifan@dunli.com (国内)

E-mail:dunlielectric@dunli.com (International)

http://www.dunlielectric.com

杭州顿力风机有限公司



## 公司简介

顿力集团始创于1996年，是一家专业生产制造通风设备、医疗器械、家居制品的企业集团公司。

杭州顿力风机有限公司系顿力集团有限公司旗下子公司，专业研发、生产及销售直流外转子电机驱动的轴流、前倾离心、后倾离心、鼓风机等多种风机产品。产品广泛应用于冷冻冷藏、通风系统、数据中心、制冷暖通、新风净化、新能源等行业领域。

公司凭借专业的研发团队、完善的检测设备、先进的生产流水线和科学的运营管理，已成功研制低噪、高效、使用寿命长的多种外转子风机产品，并在风机结构、流体、电机、控制电路等方面取得多项发明专利。

公司高度重视产学研合作，已与国内多家知名科研机构 and 高等院校建立了长期合作关系，在风机、电机等核心领域有深入研究，产品的性能和运用的技术达到行业领先水平。公司产品通过CCC、CE、UL和ETL认证，满足RoHS、REACH环保指令要求。

公司始终致力于提升产品与服务质量水平、优化产业供应链、打造优秀团队、提升管理能力，持续为客户创造更大价值。

## Company Profile

Dunli Group Co., Ltd, established in 1996, is a professional manufacturer of ventilating devices, medical equipment and home furnishing products.

Hangzhou Dunli Motor Fans Co., Ltd, one of the subsidiaries of Dunli Group Co., Ltd, is specialized in developing and manufacturing EC/DC external rotor powered axial fans, forward curved centrifugal fans, backward curved centrifugal fans and blowers. Its products are widely used in refrigeration, ventilation, data center, HVAC, purification and new energy industries.

With its professional R&D team, precise testing equipment, advanced production facilities and scientific operation management, the company has developed series of high-efficiency, low noise and long service life products, and won a lot of patents on structure, fluid, motor and control circuit designs as well.

The company attaches great importance to industry-university-research cooperation and has built long-term cooperative relationships with well-known domestic research institutes. With deep research in the core areas of motor fans, the performance of products developed are leading the industry. All motor fan products are CCC, CE approved as well as RoHS, REACH directive compliant, and most of them are UL and ETL certified.

The company is committed to promote the quality of products and services, optimize supply chain, build excellent team and improve management abilities, to continuously create values for customers.

# C 目录

## Contents

<b>轴流风机系列</b>	
<b>Axial Fan Series .....</b>	<b>1</b>
<b>轴流风机型号命名</b>	
<b>Nomenclature of Axial Fan .....</b>	<b>1</b>
<b>EC机翼型塑料叶片轴流风机</b>	
<b>EC Plastic Airfoil Blade Axial Fan .....</b>	<b>1</b>
Φ250.....	2
Φ300.....	4
Φ350.....	6
Φ400.....	8
Φ420.....	10
Φ450.....	12
Φ500.....	14
<b>EC高效机翼型轴流风机</b>	
<b>X-PRO .....</b>	<b>18</b>
Φ500.....	18
Φ630.....	20
Φ710.....	22
Φ800.....	24
Φ910.....	26
<b>EC常规金属叶片轴流风机</b>	
<b>EC Conventional Carbon Steel Blade Axial Fan .....</b>	<b>28</b>
Φ200.....	28
Φ250.....	30
Φ300.....	32
Φ350.....	34
Φ400.....	36
Φ450.....	38
Φ500.....	40
Φ550.....	44
Φ630.....	46
Φ710.....	50

<b>EC子午加速轴流风机</b>	
<b>X-ACCEL .....</b>	<b>54</b>
Φ350.....	54
Φ400.....	56
<b>DC常规金属片轴流风机</b>	
<b>DC Conventional Carbon Steel Blade Axial Fan.....</b>	<b>58</b>
Φ200.....	58
Φ250.....	60
Φ300.....	62

## 离心风机系列

### Centrifugal Fan Series ..... 64

<b>离心风机型号命名</b>	
<b>Nomenclature of Centrifugal Fan .....</b>	<b>65</b>
<b>EC低静压后倾离心风机</b>	
<b>B-Flow.....</b>	<b>66</b>
Φ133.....	66
Φ175.....	68
Φ190.....	70
Φ220.....	72
Φ225.....	74
Φ250.....	76
Φ400.....	78
Φ630.....	80
<b>DC低静压后倾离心风机</b>	
<b>B-FLOW.....</b>	<b>82</b>
Φ133.....	82
Φ175.....	84
Φ190.....	86
Φ220.....	88
Φ225.....	90
Φ250.....	92

<b>EC金属叶轮后倾离心风机</b>	
<b>EC Backward Curved Centrifugal Fan with Metal Impeller .....</b>	<b>94</b>
Φ225.....	94
Φ250.....	96
Φ280.....	100
Φ310.....	104
Φ355.....	110
Φ400.....	116
Φ450.....	122
Φ500.....	126
<b>EC高静压后倾离心风机</b>	
<b>B-Max.....</b>	<b>130</b>
Φ355.....	130
Φ450.....	132
Φ500.....	134
Φ560.....	136
<b>DC金属叶轮后倾离心风机</b>	
<b>DC Backward Curved Centrifugal Fan with Metal Impeller .....</b>	<b>138</b>
Φ225.....	138
Φ250.....	140
Φ280.....	142
Φ310.....	144
Φ355.....	146
<b>EC前倾离心及鼓风机</b>	
<b>EC Forward Curved Centrifugal Fan and Blower .....</b>	<b>148</b>
Φ120.....	148
Φ133.....	150
Φ140.....	152
Φ150.....	156
Φ160.....	158
Φ180.....	162
Φ133 (Dual-inlet).....	164
Φ146 (Dual-inlet).....	168

<b>DC前倾离心及鼓风机</b>	
<b>DC Forward Curved Centrifugal Fan and Blower.....</b>	<b>172</b>
Φ140.....	172
Φ150.....	174
Φ160.....	176
Φ180.....	180
Φ133 (Dual-inlet).....	182
Φ146 (Dual-inlet).....	184
<b>产品应用知识及案例</b>	
<b>Product Application Knowledge &amp; Case Analyses .....</b>	<b>186</b>
<b>EC电机接线图</b>	
<b>EC Motor Wiring Diagrams .....</b>	<b>198</b>
<b>DC电机接线图</b>	
<b>DC Motor Wiring Diagrams .....</b>	<b>199</b>

# 轴流风机系列

## Axial Fan Series



### 轴流风机型号命名

### NOMENCLATURE OF AXIAL FAN

电机系列: EC72、EC92、EC102、EC137、EC180  
DC72、DC92、DC102

Motor Serial Number: EC72, EC92, EC102, EC137, EC180  
DC72, DC92, DC102

风机类型: A-轴流  
Fan Type: A-Axial

叶轮直径  
Blade Diameter

程序编号  
Software Sequence Number

EC92 - A 300 - 030 065 - 05 S - D - 001

叶片高度  
Blade Height

叶片数量  
Blade Quantity

气流方向: S-吸风, B-吹风  
Air Flow Direction: S- Exhaust, B- Intake

网罩/面板类型: A-无网罩, B-平板网罩, C-墙形平网罩, D- 墙形凹网罩, E-导风筒  
F-导风面板, G-平凹网罩, H-铝框

**Type of Guard Grill/Mounting Plate:**

A- Without guard grill, B- Flat guard Grill, C- Flat guard grill with sidepiece  
D- Concave guard grill with sidepiece, E-Air duct, F- Mounting plate  
G- Flat-concave guard grill, H- Aluminum mounting frame

派生产品序号: 用数字001-999或字母+数字表示

Sequence Number of Derivative Product: Shown with one number in the range of  
001-999 or combination of two letters plus two digits.

EC 机翼型塑料叶片轴流风机  
EC Plastic Airfoil Blade Axial Fan

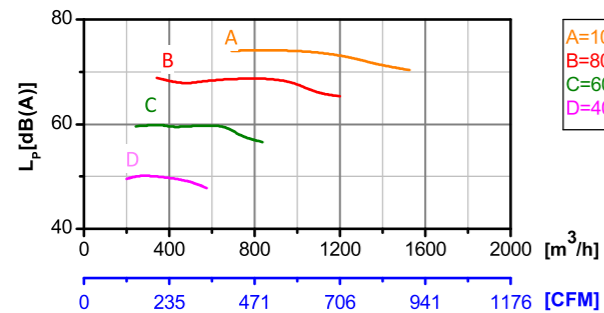
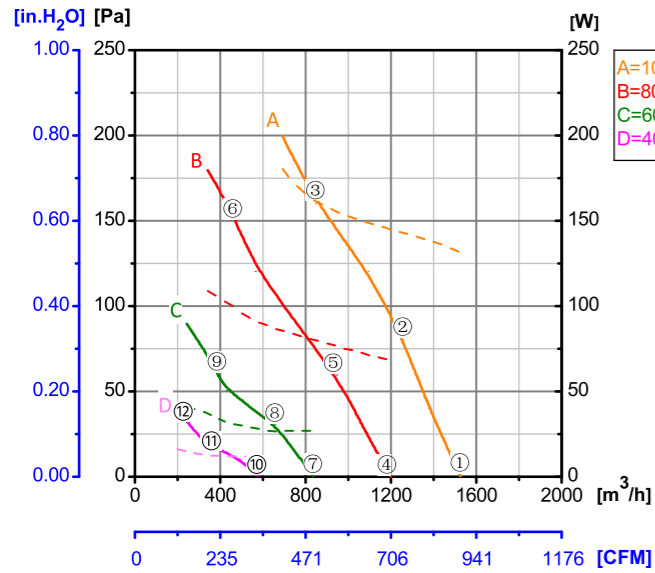
ErP2015  
EXCEEDS THE NORM



Φ 250

转子材质 Rotor Material: 碳钢 Carbon steel  
风叶材质 Blade Material: 塑料 Plastic  
防护等级 Ingress Protection: IP44  
绝缘等级 Insulation Class: F  
轴承类型 Bearing Type: 免维护滚珠轴承  
Maintenance free ball bearing

性能曲线 Performance Curves

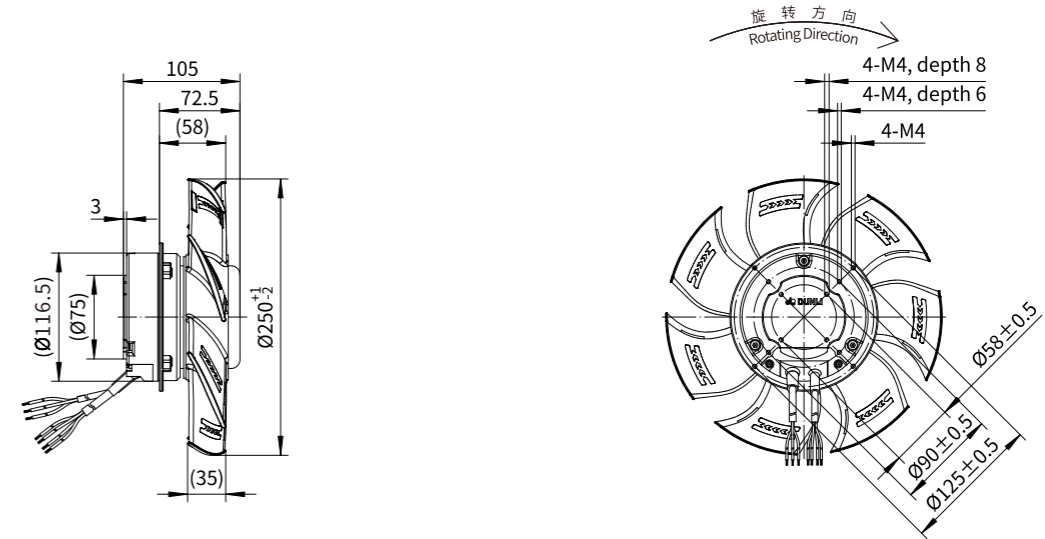


测试节点 Test Point	转速 Speed rpm	输入功率 Input Power W
1	2897	131
2	2903	124
3	2896	156
4	2316	68
5	2322	64
6	2316	99
7	1641	27
8	1654	26
9	1651	34
10	1156	12
11	1159	12
12	1159	15

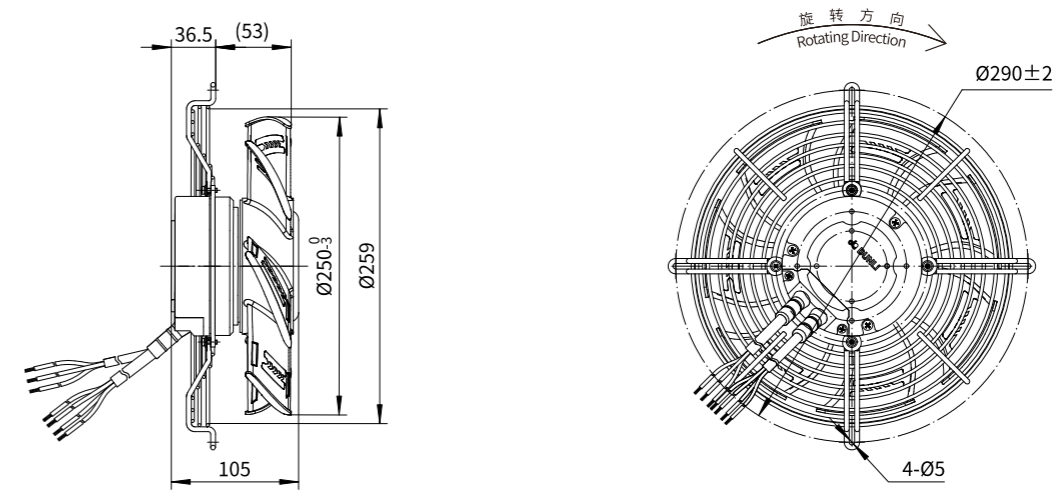
Erp2015 Data:  
Efficiency  $\eta_{statA}=33\%$   
Efficiency grade  $N_{actual}=45, N_{target}=40$   
Test report No. : L-20210302-004-016

产品型号 Model No.	电压 Voltage VAC	频率 Frequency Hz	转速 Speed RPM	输入功率 Input Power W	电流 Current A	运行温度 Working Temp. Min/Max (°C)	认证 Approvals
EC92-A250-037	1~220/230	50/60	2900	140	1.00	-20/+60	CCC,CE,UL

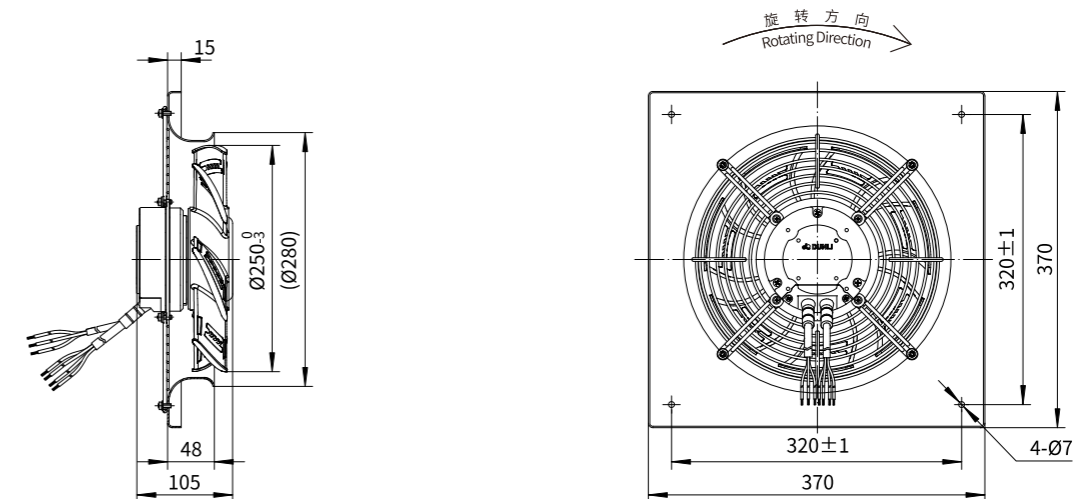
风机本体 Type A



D 型网罩 Type D



F 型面板 Type F



EC 机翼型塑料叶片轴流风机  
EC Plastic Airfoil Blade Axial Fan

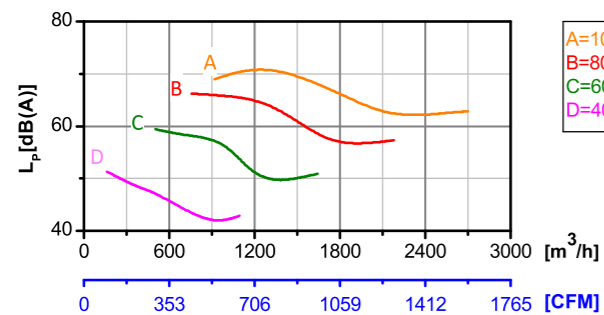
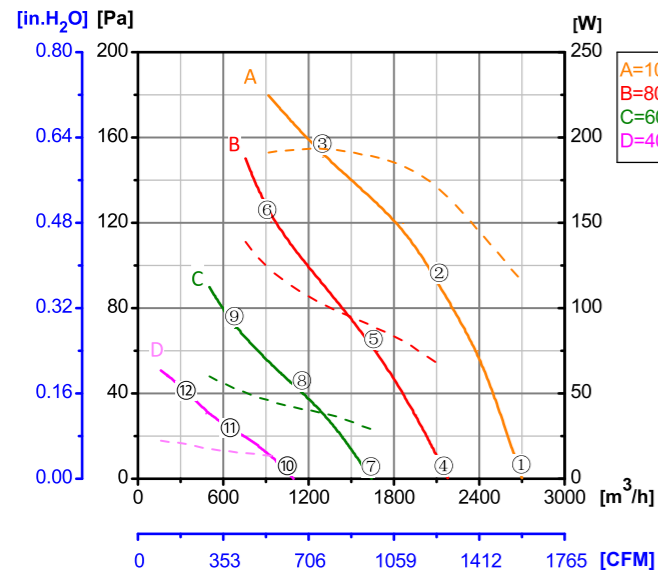
ErP2015  
EXCEEDS THE NORM



Φ 300

转子材质 Rotor Material: 碳钢 Carbon steel  
风叶材质 Blade Material: 塑料 Plastic  
防护等级 Ingress Protection: IP44  
绝缘等级 Insulation Class: F  
轴承类型 Bearing Type: 免维护滚珠轴承  
Maintenance free ball bearing

性能曲线 Performance Curves

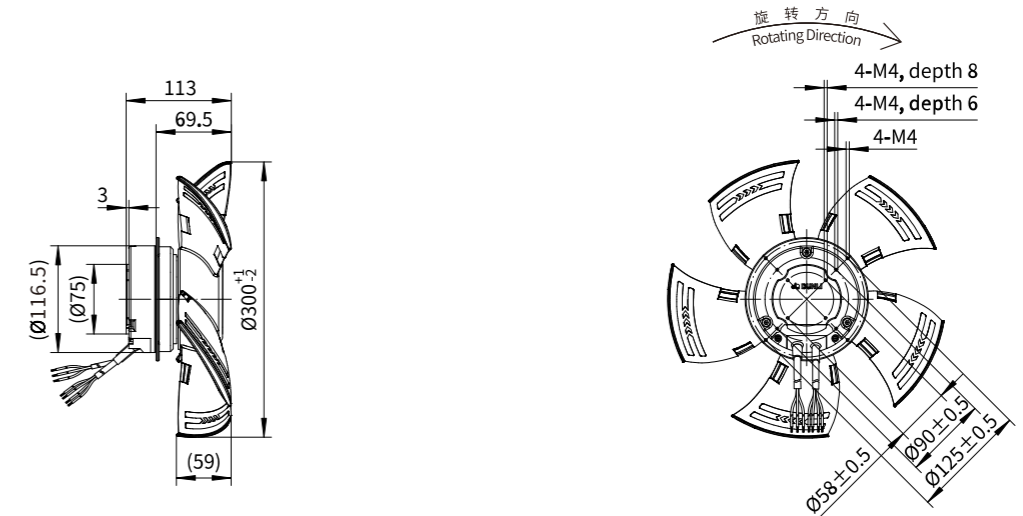


测试节点 Test Point	转速 Speed rpm	输入功率 Input Power W
1	2098	115
2	2099	170
3	2047	195
4	1681	63
5	1681	88
6	1680	119
7	1258	29
8	1261	41
9	1260	52
10	839	11
11	846	15
12	846	20

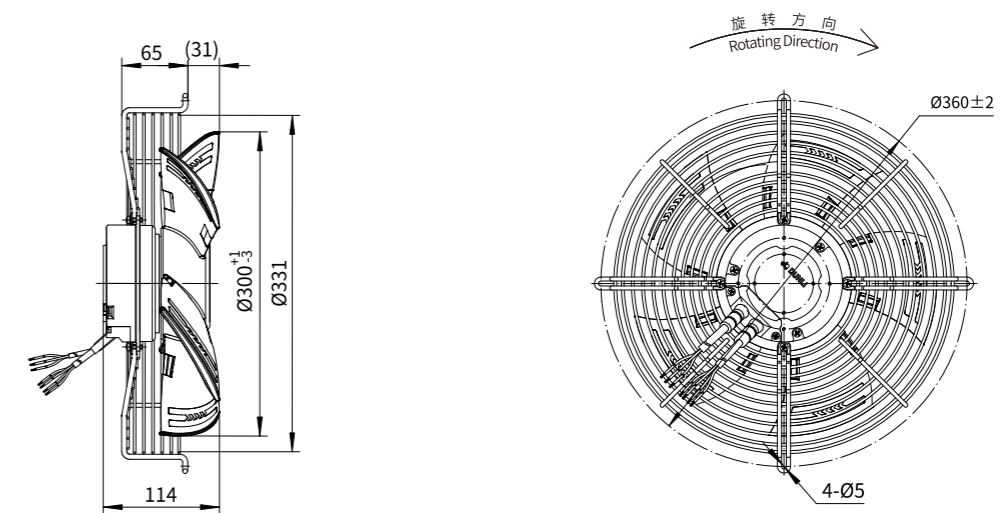
Erp2015 Data:  
Efficiency  $\eta_{statA}=38\%$   
Efficiency grade  $N_{actual}=48.9, N_{target}=40$   
Test report No. : L-20210302-004-017

产品型号 Model No.	电压 Voltage VAC	频率 Frequency Hz	转速 Speed RPM	输入功率 Input Power W	电流 Current A	运行温度 Working Temp. Min/Max (°C)	认证 Approvals
EC92-A300-IB38	1~220/230	56/60	2100	130	1.00	-20/+60	CCC,CE,UL

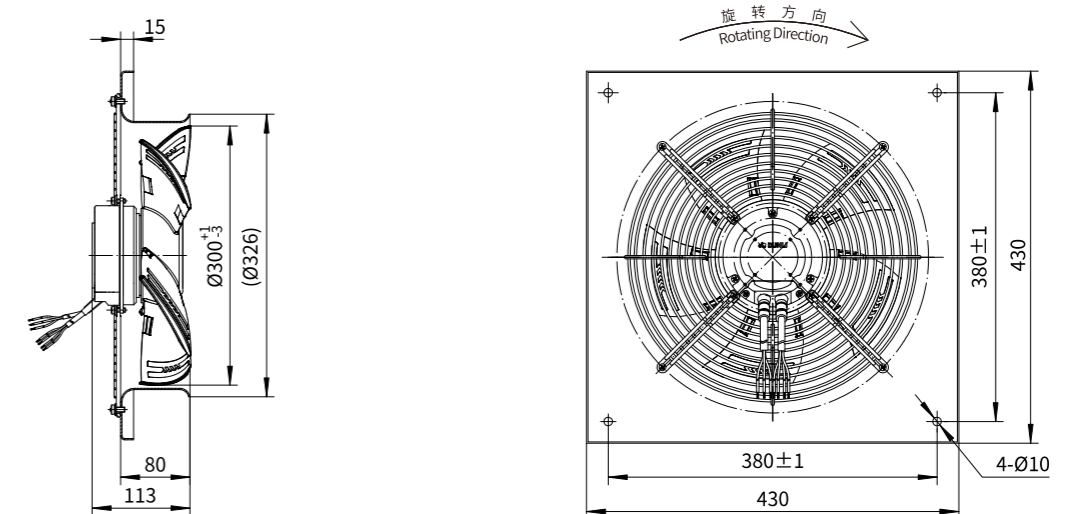
风机本体 Type A



D 型网罩 Type D

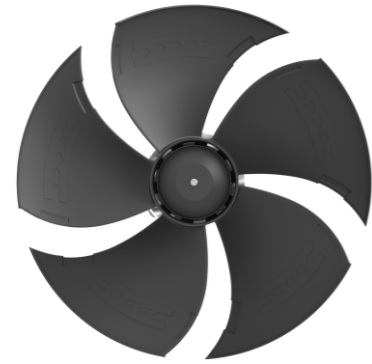


F 型面板 Type F



EC 机翼型塑料叶片轴流风机  
EC Plastic Airfoil Blade Axial Fan

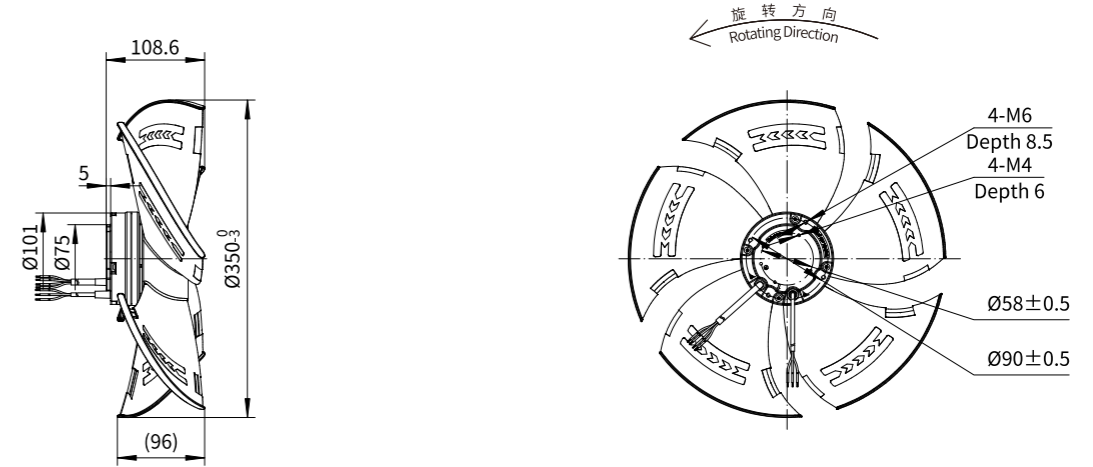
ErP2015  
EXCEEDS THE NORM



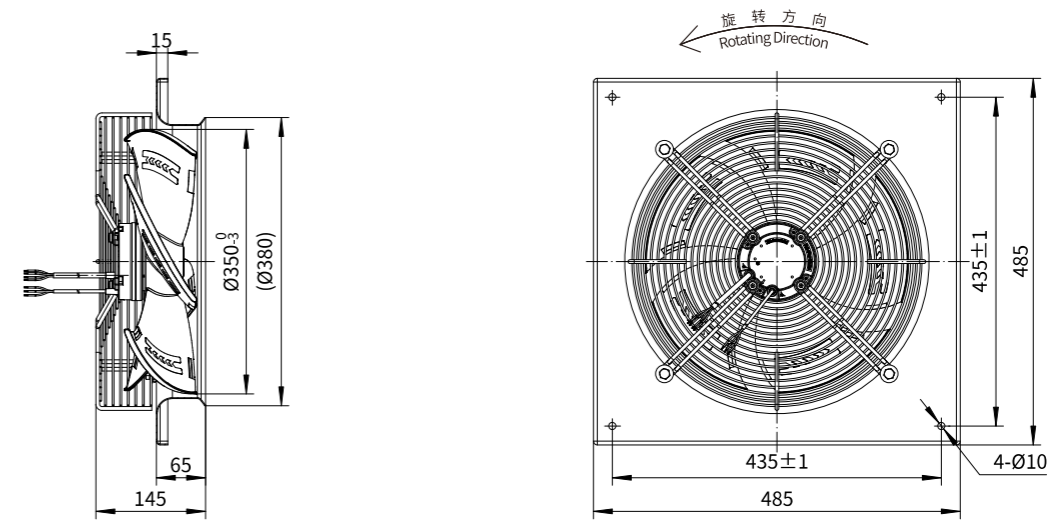
Φ 350

转子材质 Rotor Material: 碳钢 Carbon steel  
风叶材质 Blade Material: 塑料 Plastic  
防护等级 Ingress Protection: IP54  
绝缘等级 Insulation Class: F  
轴承类型 Bearing Type: 免维护滚珠轴承  
Maintenance free ball bearing

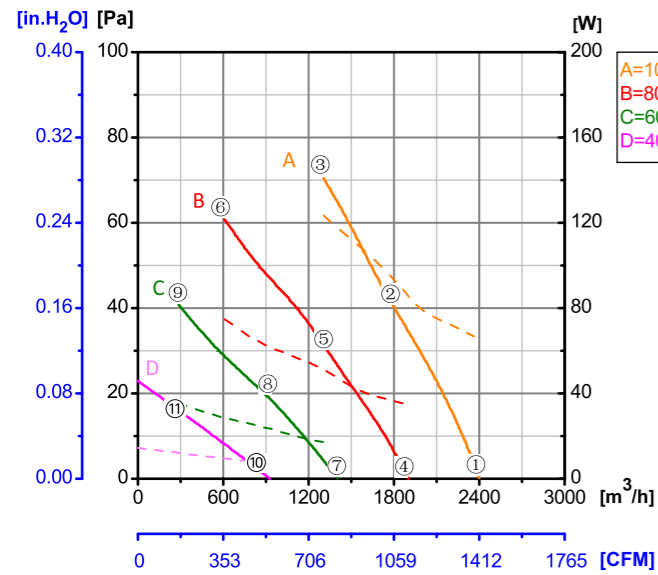
风机本体 Type A



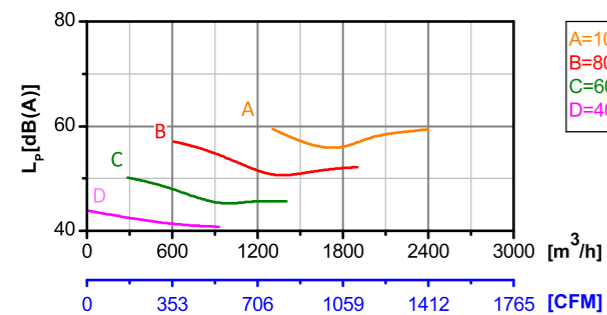
D 型网罩 Type D



性能曲线 Performance Curves



测试节点 Test Point	转速 Speed rpm	输入功率 Input Power W
1	1208	65
2	1208	94
3	1207	123
4	964	35
5	964	51
6	964	75
7	719	16
8	721	24
9	722	35
10	485	7
11	485	10
12	/	/



Erp2015 Data:  
Efficiency  $\eta_{statA}=0\%$ ,  $\leq 125W$   
Efficiency grade  $N_{actual}=0$ ,  $N_{target}=40$   
Test report No. : L-20210302-004-010

产品型号 Model No.	电压 Voltage	频率 Frequency	转速 Speed	输入功率 Input Power	电流 Current	运行温度 Working Temp.	认证 Approvals
	VAC	Hz	RPM	W	A	Min/Max (°C)	
EC72-A350-031	1~220/230	50/60	1200	70	0.45	-20/+60	CCC,CE



EC 机翼型塑料叶片轴流风机  
EC Plastic Airfoil Blade Axial Fan

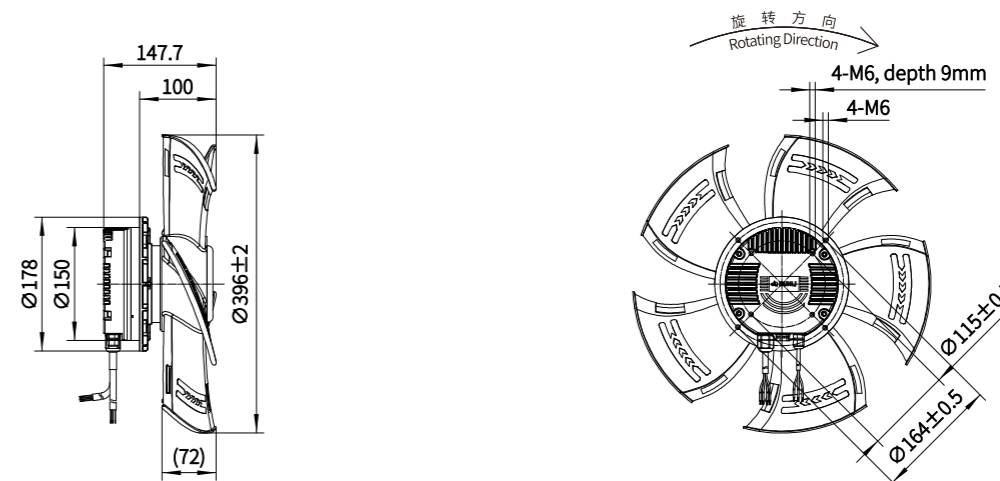
ErP2015  
EXCEEDS THE NORM



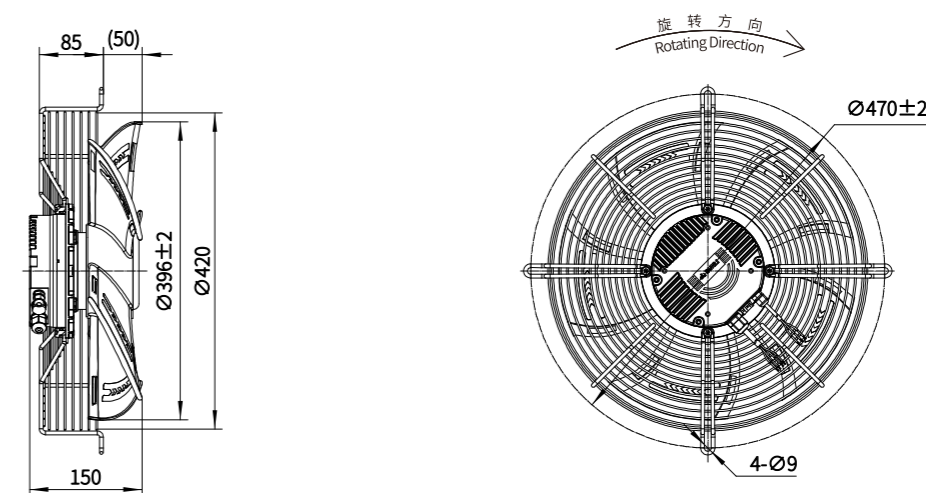
Φ 400

转子材质 Rotor Material: 碳钢 Carbon steel  
风叶材质 Blade Material: 塑料 Plastic  
防护等级 Ingress Protection: IP54  
绝缘等级 Insulation Class: F  
轴承类型 Bearing Type: 免维护滚珠轴承  
Maintenance free ball bearing

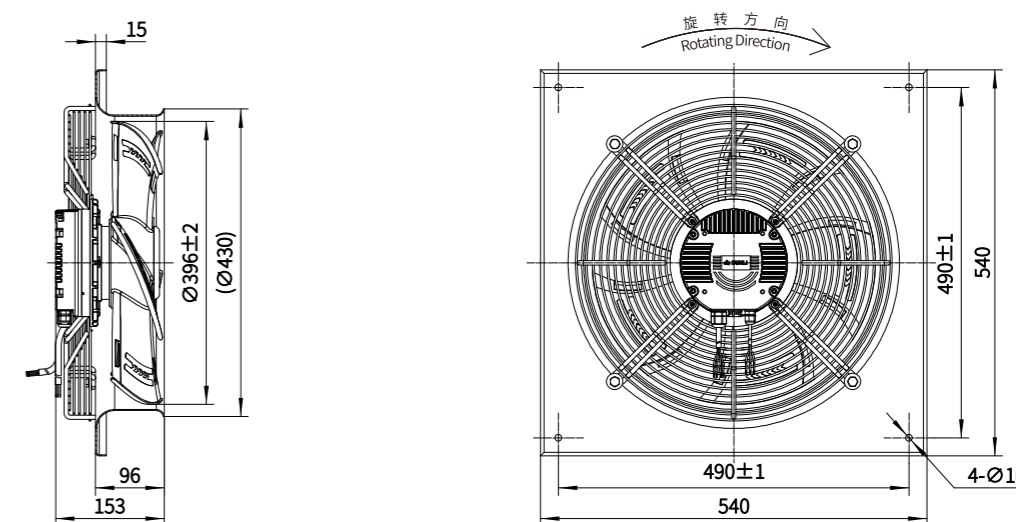
风机本体 Type A



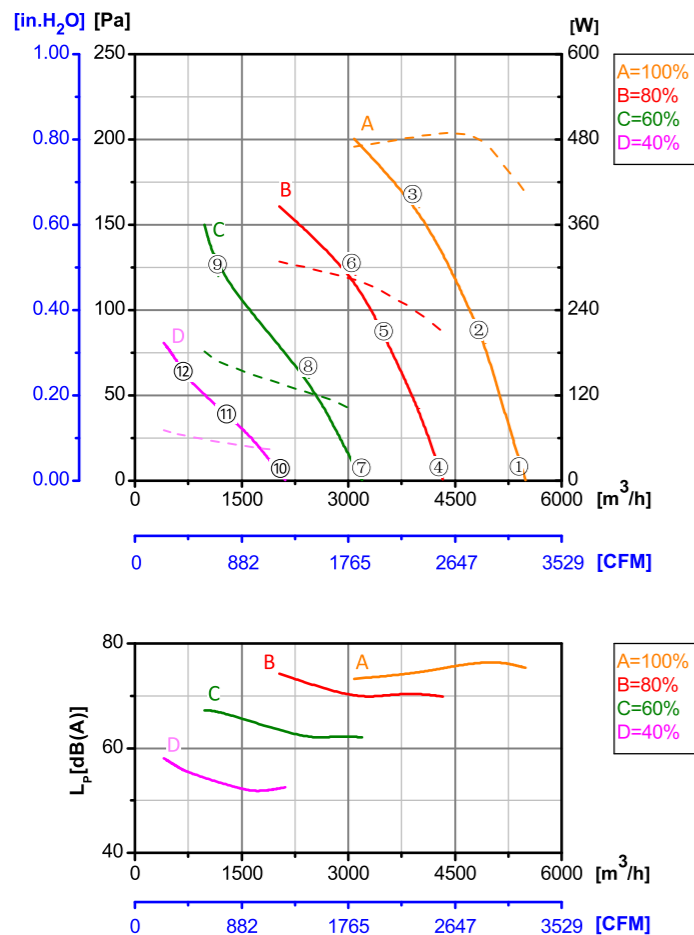
D 型网罩 Type D



F 型面板 Type F



性能曲线 Performance Curves



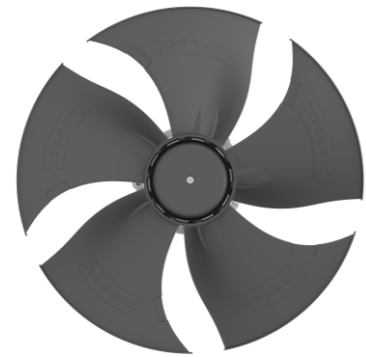
测试节点 Test Point	转速 Speed rpm	输入功率 Input Power W
1	2097	406
2	2096	481
3	2016	485
4	1677	210
5	1682	262
6	1683	285
7	1256	94
8	1261	124
9	1260	164
10	839	40
11	838	49
12	838	62

Erp2015 Data:  
Efficiency  $\eta_{statA}=40.6\%$   
Efficiency grade  $N_{actual}=49, N_{target}=40$   
Test report No. : L-20210302-004-087

产品型号 Model No.	电压 Voltage	频率 Frequency	转速 Speed	输入功率 Input Power	电流 Current	运行温度 Working Temp.	认证 Approvals
	VAC	Hz	RPM	W	A	Min/Max (°C)	
EC102-A400-B20	1~220/230	50/60	2090	450	1.91	-20/+60	CCC,CE

EC 机翼型塑料叶片轴流风机  
EC Plastic Airfoil Blade Axial Fan

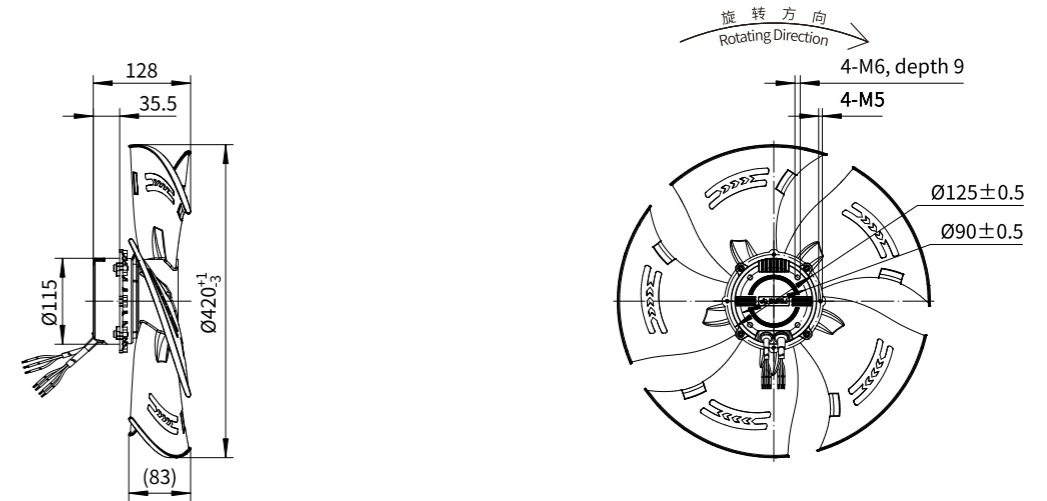
ErP2015  
EXCEEDS THE NORM



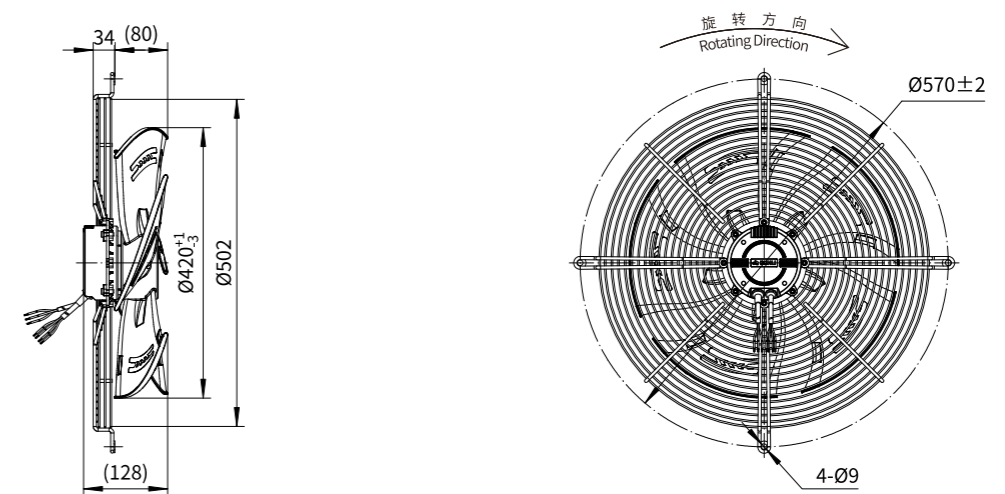
Φ 420

转子材质 Rotor Material: 碳钢 Carbon steel  
风叶材质 Blade Material: 塑料 Plastic  
防护等级 Ingress Protection: IP54  
绝缘等级 Insulation Class: F  
轴承类型 Bearing Type: 免维护滚珠轴承  
Maintenance free ball bearing

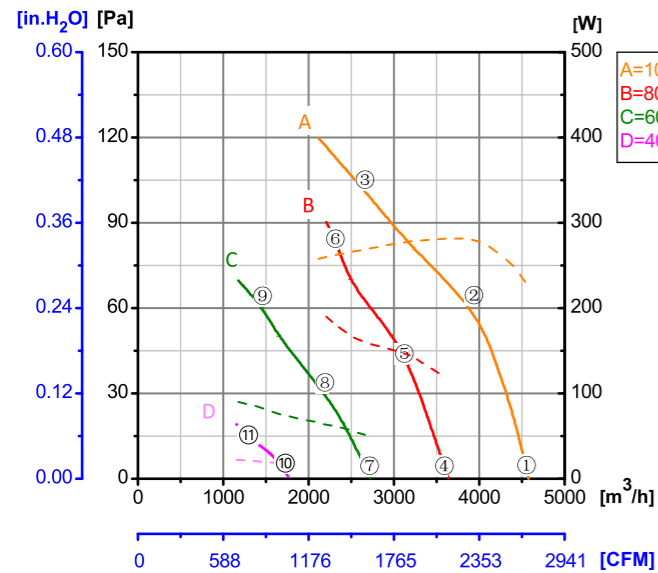
风机本体 Type A



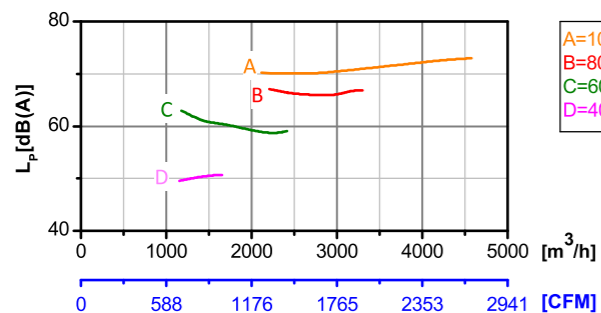
D 型网罩 Type D



性能曲线 Performance Curves



测试节点 Test Point	转速 Speed rpm	输入功率 Input Power W
1	1598	224
2	1583	284
3	1450	270
4	1282	117
5	1277	145
6	1282	177
7	962	49
8	964	64
9	960	83
10	644	17
11	643	21
12	/	/

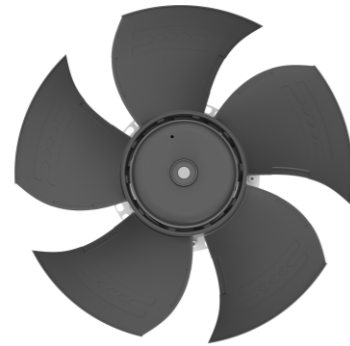


Erp2015 Data:  
Efficiency  $\eta_{statA} = 31.3\%$   
Efficiency grade  $N_{actual} = 41.2$ ,  $N_{target} = 40$   
Test report No. : L-20210302-004-072

产品型号 Model No.	电压 Voltage	频率 Frequency	转速 Speed	输入功率 Input Power	电流 Current	运行温度 Working Temp.	认证 Approvals
	VAC	Hz	RPM	W	A	Min/Max (°C)	
EC92-A420-002	1~220/230	50/60	1600	260	1.81	-20/+60	CCC,CE

EC 机翼型塑料叶片轴流风机  
EC Plastic Airfoil Blade Axial Fan

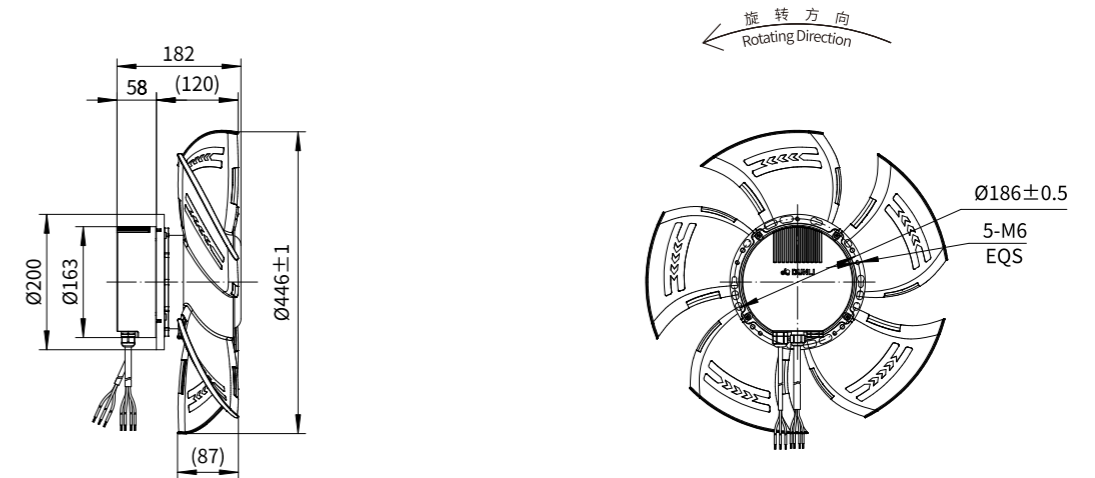
ErP2015  
EXCEEDS THE NORM



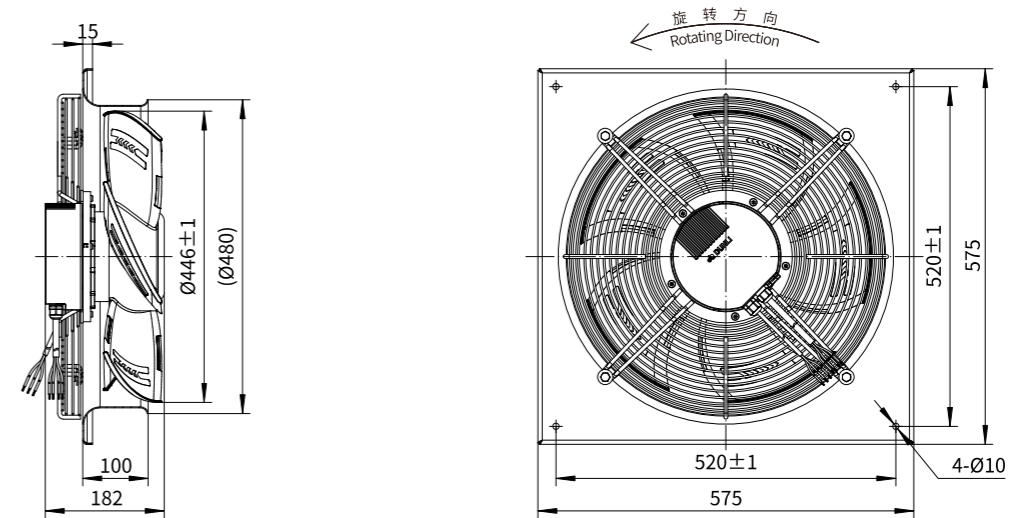
Φ 450

转子材质 Rotor Material: 碳钢 Carbon steel  
风叶材质 Blade Material: 塑料 Plastic  
防护等级 Ingress Protection: IP54  
绝缘等级 Insulation Class: F  
轴承类型 Bearing Type: 免维护滚珠轴承  
Maintenance free ball bearing

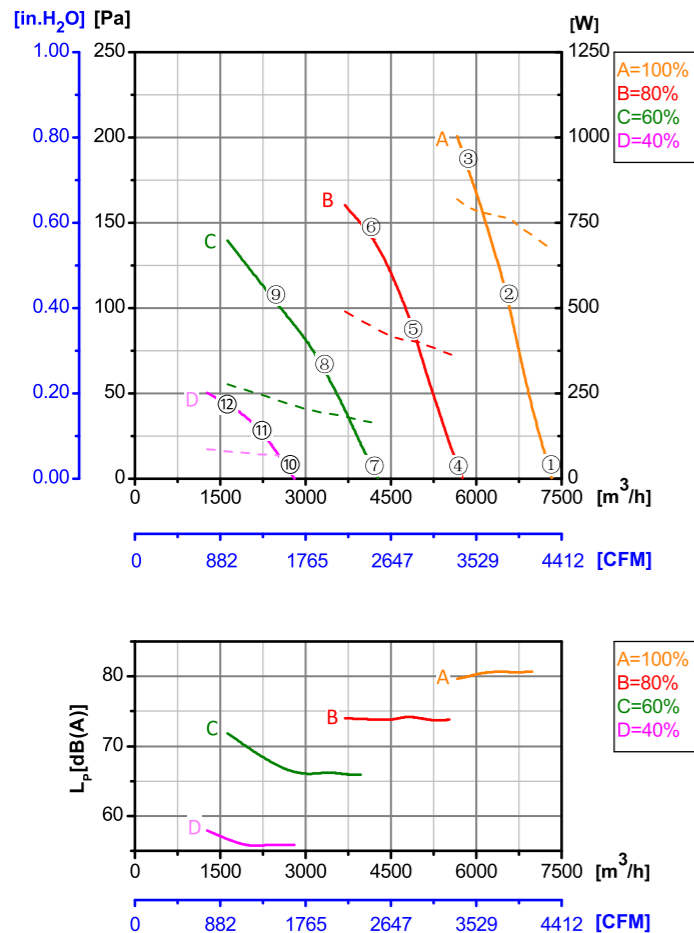
风机本体 Type A



D 型网罩 Type D



性能曲线 Performance Curves



测试节点 Test Point	转速 Speed rpm	输入功率 Input Power W
1	1970	671
2	1982	768
3	1982	794
4	1578	355
5	1578	404
6	1577	440
7	1182	163
8	1182	191
9	1184	229
10	787	62
11	796	71
12	790	76

Erp2015 Data:  
Efficiency  $\eta_{statA}=42.3\%$   
Efficiency grade  $N_{actual}=49.1, N_{target}=40$   
Test report No. : L-20210302-004-089

产品型号 Model No.	电压 Voltage VAC	频率 Frequency Hz	转速 Speed RPM	输入功率 Input Power W	电流 Current A	运行温度 Working Temp. Min/Max (°C)	认证 Approvals
EC137-A450-002	3~380/400	50/60	2000	750	1.41	-20/+60	CCC,CE

EC 机翼型塑料叶片轴流风机  
EC Plastic Airfoil Blade Axial Fan

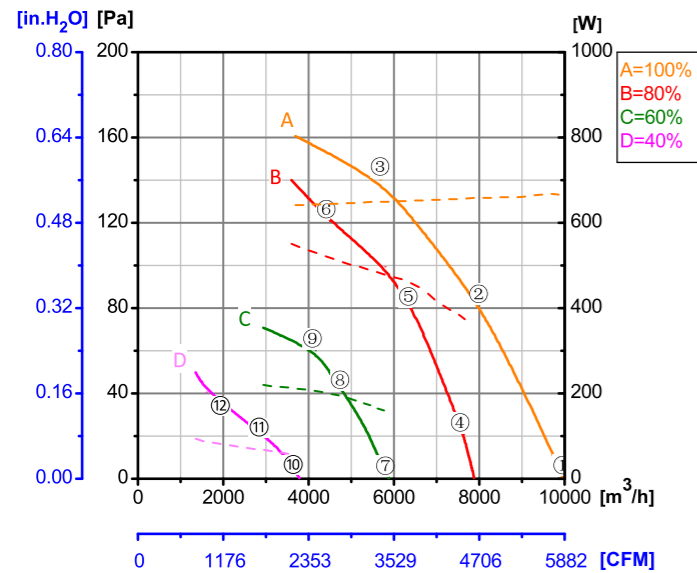
ErP2015  
EXCEEDS THE NORM



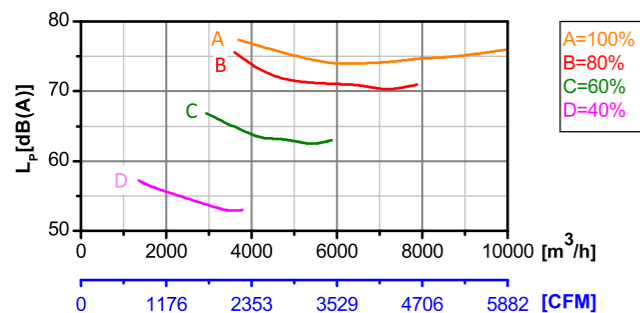
Φ 500

转子材质 Rotor Material: 碳钢 Carbon steel  
风叶材质 Blade Material: 塑料 Plastic  
防护等级 Ingress Protection: IP54  
绝缘等级 Insulation Class: F  
轴承类型 Bearing Type: 免维护滚珠轴承  
Maintenance free ball bearing

性能曲线 Performance Curves



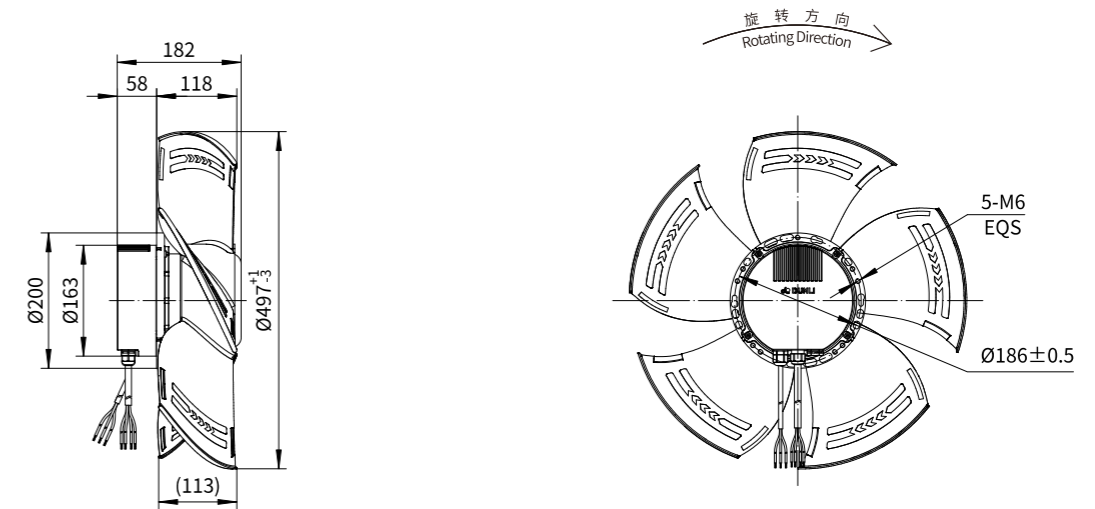
测试节点 Test Point	转速 Speed rpm	输入功率 Input Power W
1	1560	666
2	1443	659
3	1360	650
4	1251	346
5	1254	462
6	1251	516
7	937	156
8	937	194
9	937	207
10	624	54
11	624	67
12	625	85



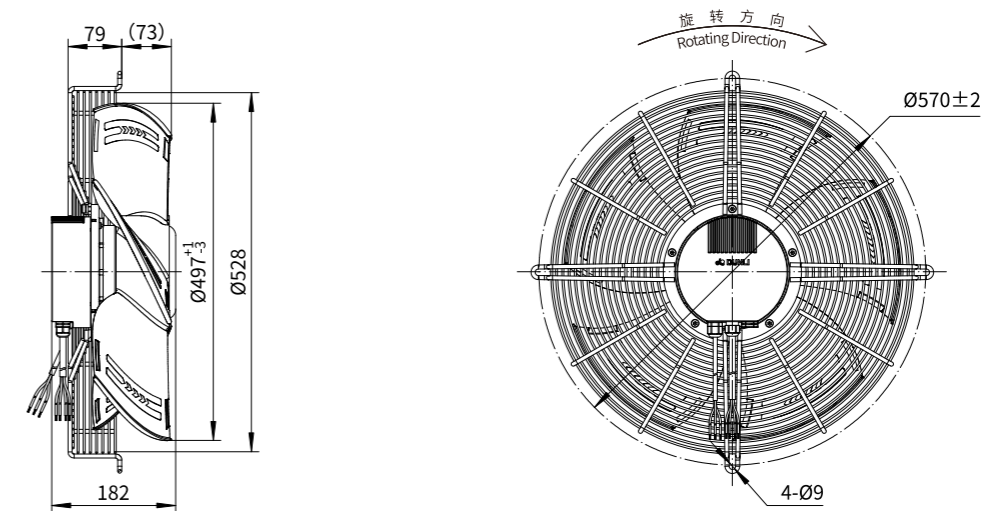
Erp2015 Data:  
Efficiency  $\eta_{statA}$  = 37.5%  
Efficiency grade  $N_{actual}$  = 45,  $N_{target}$  = 40  
Test report No. : L-20210302-004-054

产品型号 Model No.	电压 Voltage VAC	频率 Frequency Hz	转速 Speed RPM	输入功率 Input Power W	电流 Current A	运行温度 Working Temp. Min/Max (°C)	认证 Approvals
EC137-A500-005	1~220/230	50/60	1600	700	4.21	-20/+60	CCC,CE

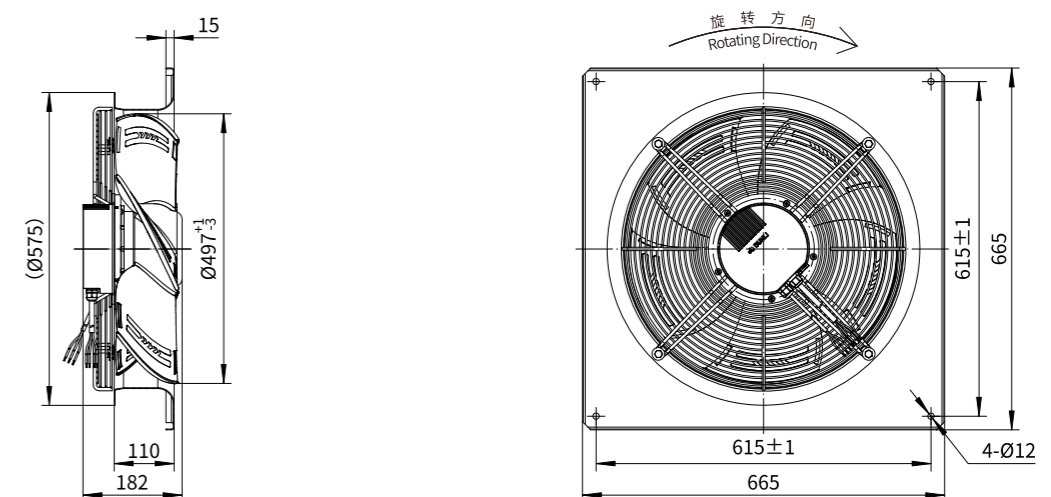
风机本体 Type A



D 型网罩 Type D



F 型面板 Type F



EC 机翼型塑料叶片轴流风机  
EC Plastic Airfoil Blade Axial Fan

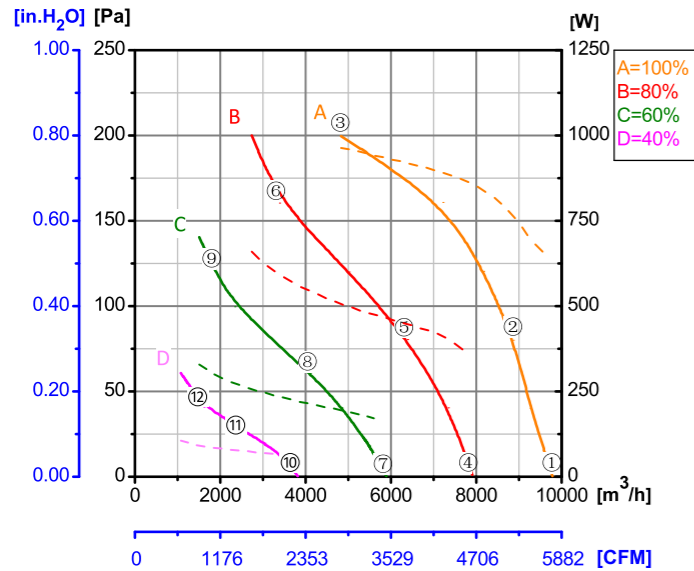
ErP2015  
EXCEEDS THE NORM



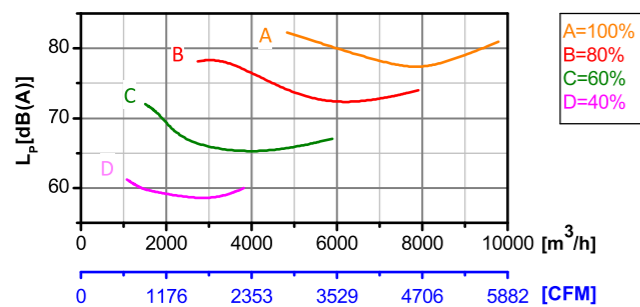
Φ 500 (3-phase)

转子材质 Rotor Material: 碳钢 Carbon steel  
风叶材质 Blade Material: 塑料 Plastic  
防护等级 Ingress Protection: IP54  
绝缘等级 Insulation Class: F  
轴承类型 Bearing Type: 免维护滚珠轴承  
Maintenance free ball bearing

性能曲线 Performance Curves



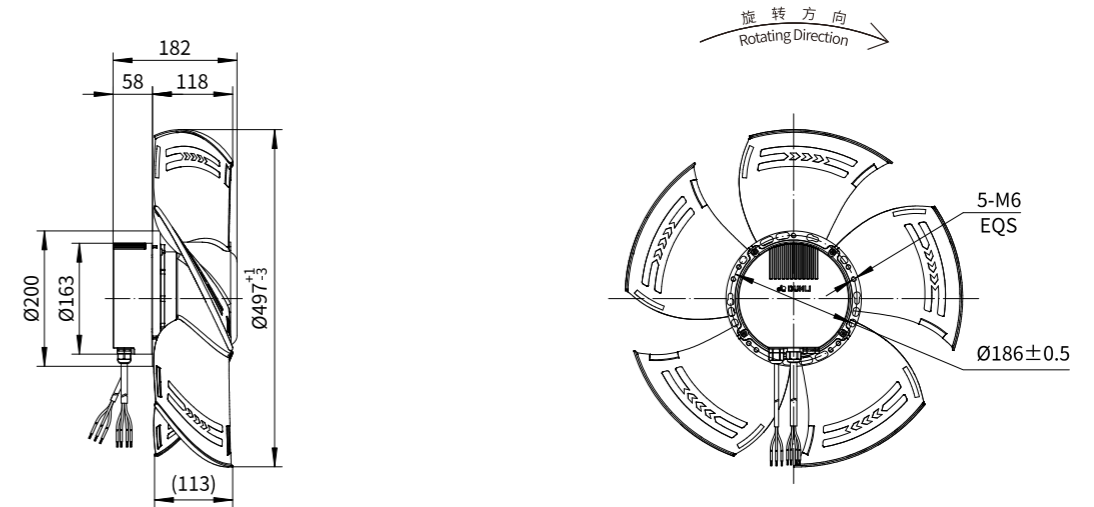
测试节点 Test Point	转速 Speed rpm	输入功率 Input Power W
1	1559	630
2	1538	770
3	1538	963
4	1249	349
5	1256	449
6	1256	581
7	938	159
8	945	209
9	945	298
10	628	57
11	631	70
12	628	97



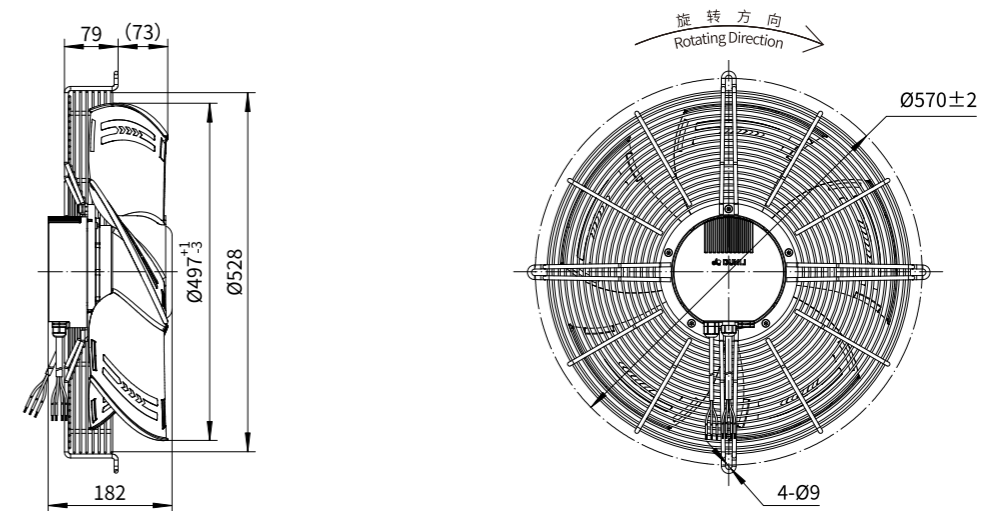
Erp2015 Data:  
Efficiency  $\eta_{statA}$  = 39.2%  
Efficiency grade  $N_{actual}$  = 45.9,  $N_{target}$  = 40  
Test report No. : L-20210302-004-053

产品型号 Model No.	电压 Voltage VAC	频率 Frequency Hz	转速 Speed RPM	输入功率 Input Power W	电流 Current A	运行温度 Working Temp. Min/Max (°C)	认证 Approvals
EC137-A500-001	3~380/400	50/60	1600	950	1.60	-20/+60	CCC,CE

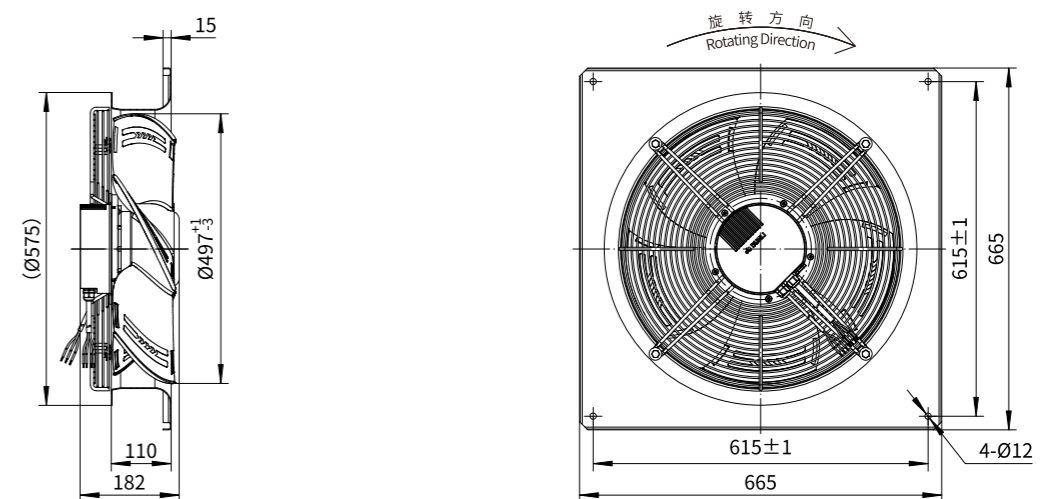
风机本体 Type A



D 型网罩 Type D



F 型面板 Type F



EC 高效机翼型轴流风机  
X-PRO

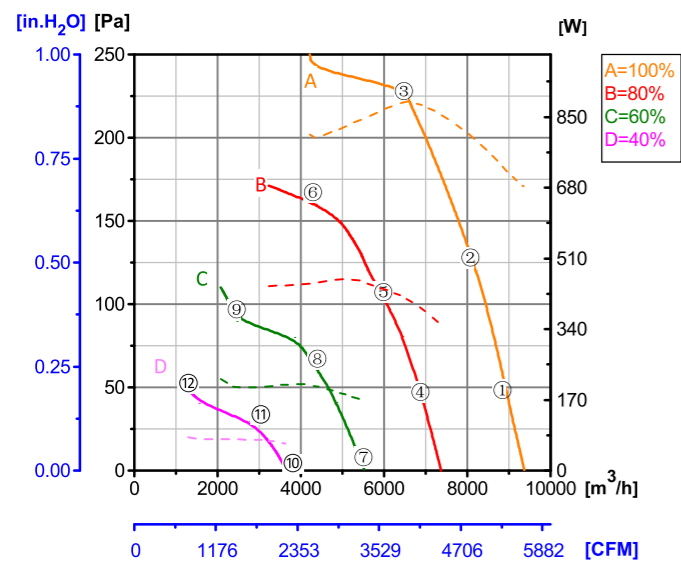
ErP2015  
EXCEEDS THE NORM



Φ 500

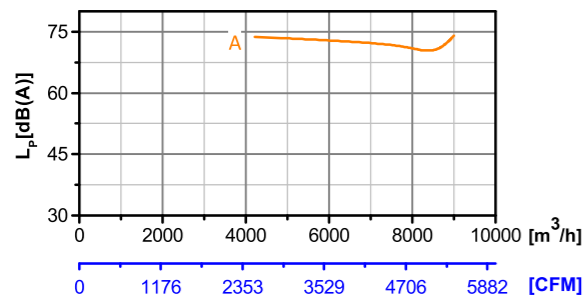
转子材质 Rotor Material: 碳钢 Carbon steel  
风叶材质 Blade Material: 塑料 Plastic  
防护等级 Ingress Protection: IP55  
绝缘等级 Insulation Class: F  
轴承类型 Bearing Type: 免维护滚珠球轴承  
Maintenance free ball bearing

性能曲线 Performance Curves



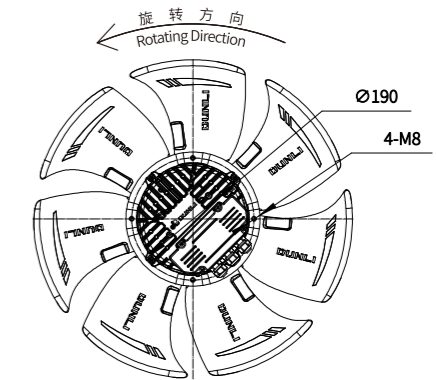
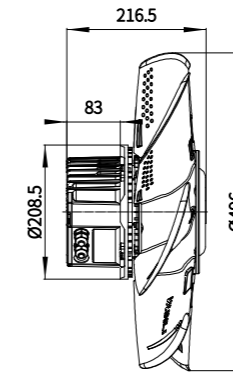
测试节点 Test Point	转速 Speed rpm	输入功率 Input Power W
1	1561	712
2	1561	792
3	1565	886
4	1250	386
5	1250	434
6	1250	449
7	938	168
8	940	200
9	940	195
10	628	65
11	628	75
12	628	80

Erp2015 Data:  
Efficiency  $\eta_{statA}=51\%$   
Efficiency grade  $N_{actual}=57, N_{target}=40$   
Test report No. : L-20220923-008

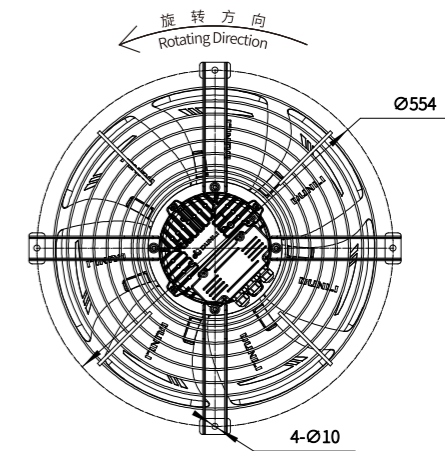
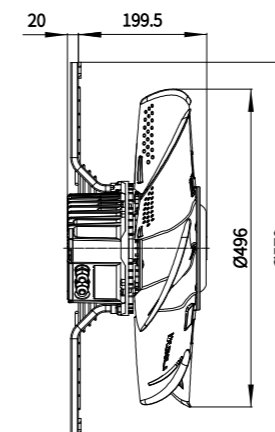


产品型号 Model No.	电压 Voltage	频率 Frequency	转速 Speed	输入功率 Input Power	电流 Current	运行温度 Working Temp.	认证 Approvals
	VDC	Hz	RPM	W	A	Min/Max (°C)	
EC137-A500-008	3~400	50/60	1560	700	1.28	-25/+60	CCC,CE,UKCA

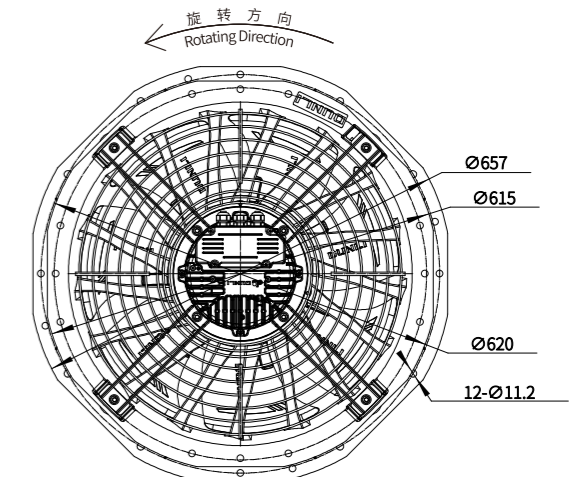
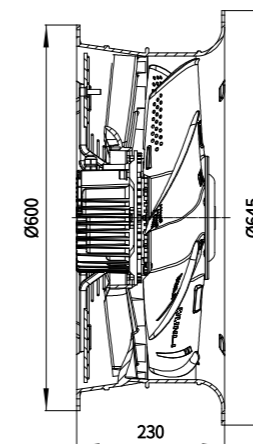
风机本体 Type A



G 型网罩 Type G

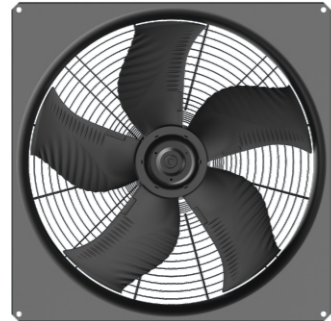


E 型面板 Type E



EC 高效机翼型轴流风机  
X-PRO

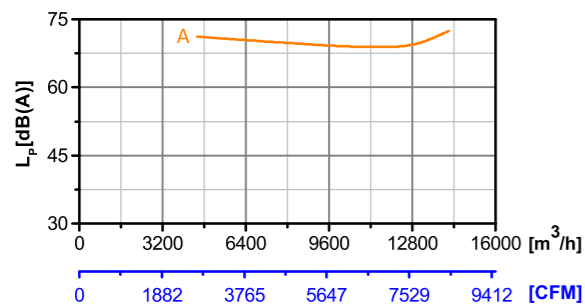
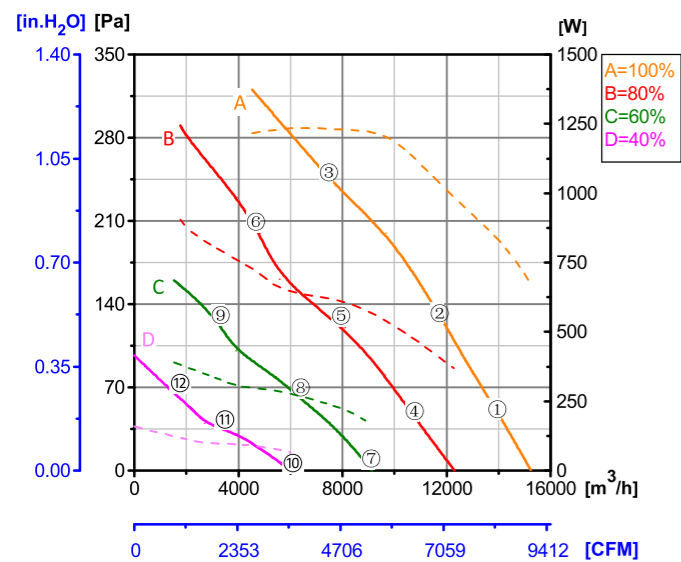
ErP2015  
EXCEEDS THE NORM



Φ 630

转子材质 Rotor Material: 碳钢 Carbon steel  
风叶材质 Blade Material: 塑料 Plastic  
防护等级 Ingress Protection: IP55  
绝缘等级 Insulation Class: F  
轴承类型 Bearing Type: 免维护滚珠球轴承  
Maintenance free ball bearing

性能曲线 Performance Curves

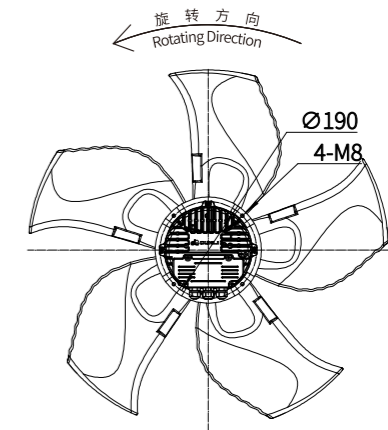
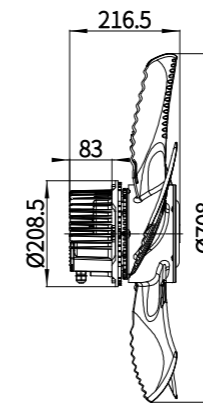


测试节点 Test Point	转速 Speed rpm	输入功率 Input Power W
1	1272	818
2	1272	1012
3	1272	1229
4	1021	463
5	1020	618
6	1019	715
7	765	166
8	769	265
9	769	326
10	508	63
11	508	96
12	508	116

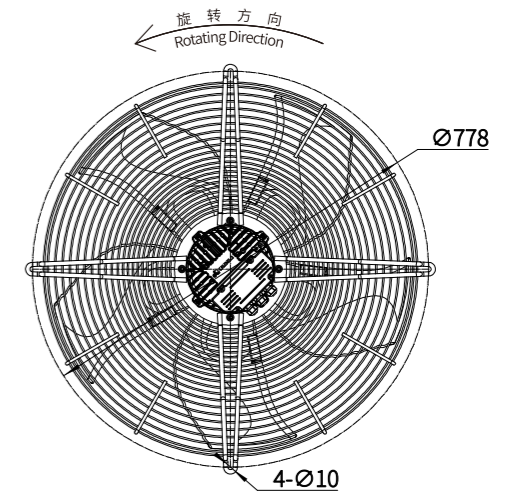
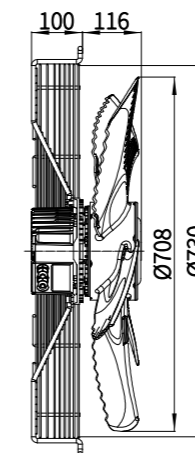
Erp2015 Data:  
Efficiency  $\eta_{statA}=48.8\%$   
Efficiency grade  $N_{actual}=55, N_{target}=40$   
Test report No. : L-20220923-008

产品型号 Model No.	电压 Voltage	频率 Frequency	转速 Speed	输入功率 Input Power	电流 Current	运行温度 Working Temp.	认证 Approvals
	VDC	Hz	RPM	W	A	Min/Max (°C)	
EC137-A630-C01	3~400	50/60	1270	650	1.2	-25/+60	CCC,CE,UKCA

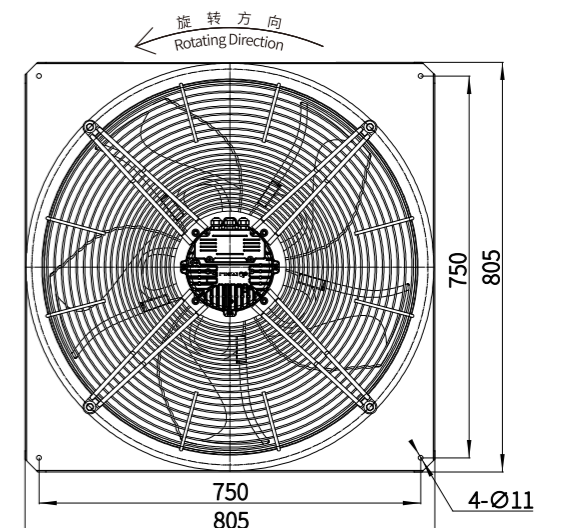
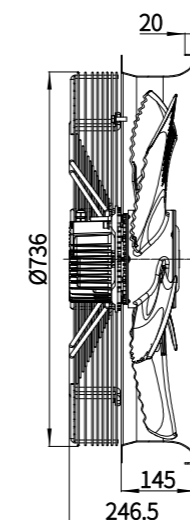
风机本体 Type A



D 型网罩 Type D

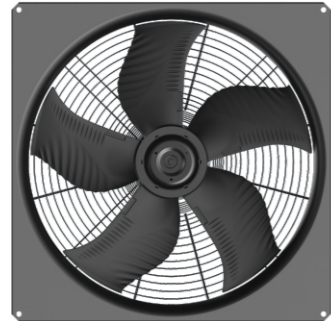


F 型面板 Type F



EC 高效机翼型轴流风机  
X-PRO

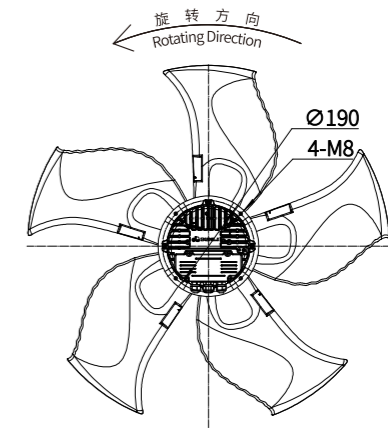
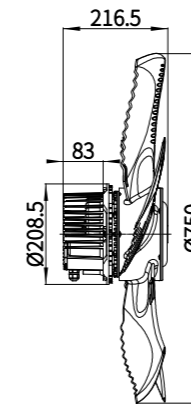
ErP2015  
III EXCEEDS THE NORM



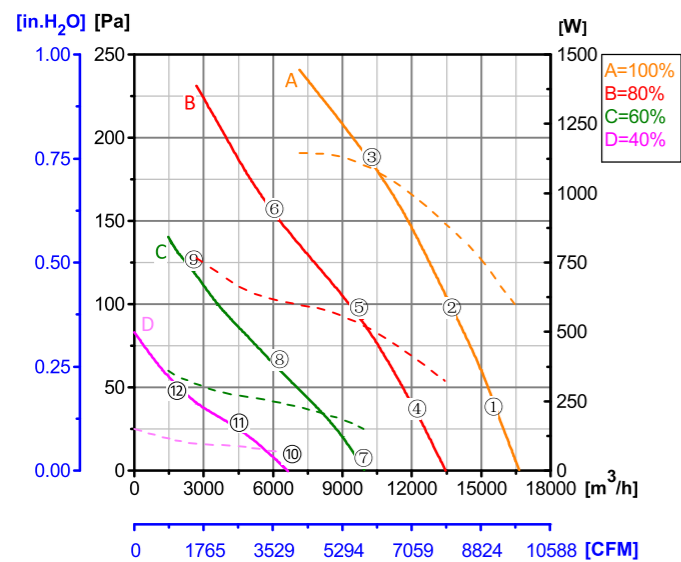
Φ 710

转子材质 Rotor Material: 碳钢 Carbon steel  
风叶材质 Blade Material: 塑料 Plastic  
防护等级 Ingress Protection: IP55  
绝缘等级 Insulation Class: F  
轴承类型 Bearing Type: 免维护滚珠球轴承  
Maintenance free ball bearing

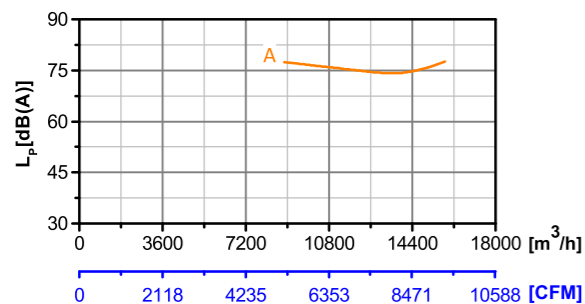
风机本体 Type A



性能曲线 Performance Curves

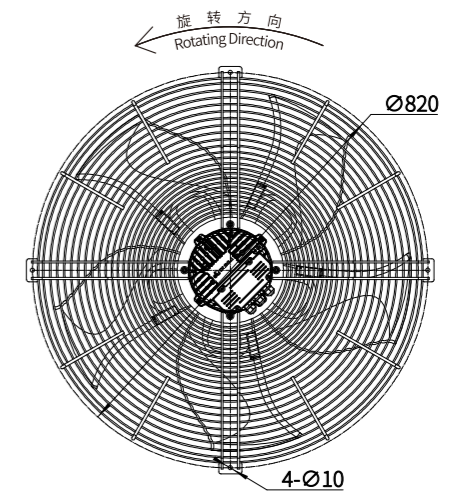
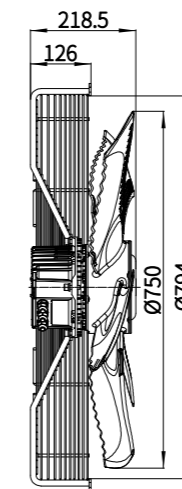


测试节点 Test Point	转速 Speed rpm	输入功率 Input Power W
1	1112	664
2	1113	846
3	1113	1079
4	895	390
5	892	529
6	893	607
7	666	149
8	666	246
9	666	317
10	448	59
11	449	82
12	448	106

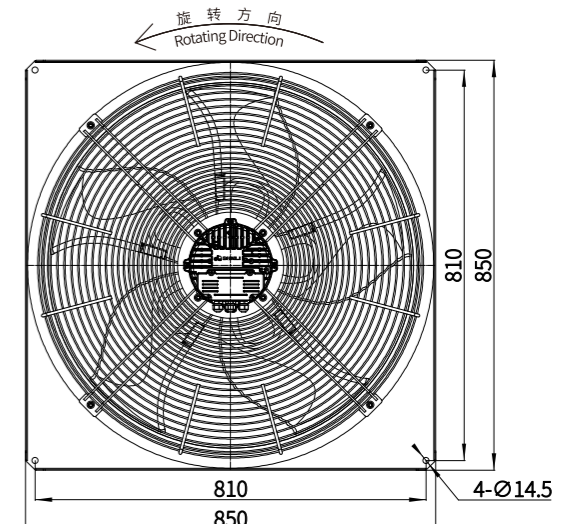
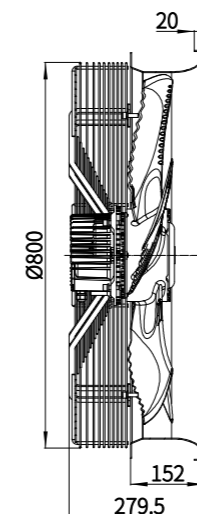


Erp2015 Data:  
Efficiency  $\eta_{statA} = 54.6\%$   
Efficiency grade  $N_{actual} = 61, N_{target} = 40$   
Test report No. : L-20220923-008

D 型网罩 Type D



F 型面板 Type F



产品型号 Model No.	电压 Voltage	频率 Frequency	转速 Speed	输入功率 Input Power	电流 Current	运行温度 Working Temp.	认证 Approvals
	VDC	Hz	RPM	W	A	Min/Max (°C)	
EC137-A710-C01	3~400	50/60	1100	560	1.1	-25/+60	CCC,CE,UKCA



EC 高效机翼型轴流风机  
X-PRO

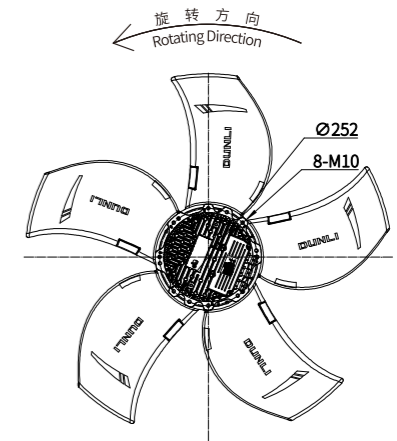
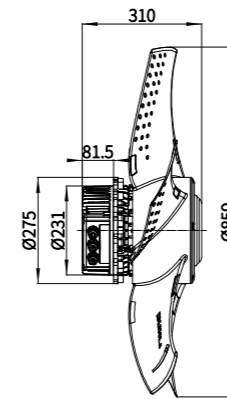
ErP2015  
EXCEEDS THE NORM



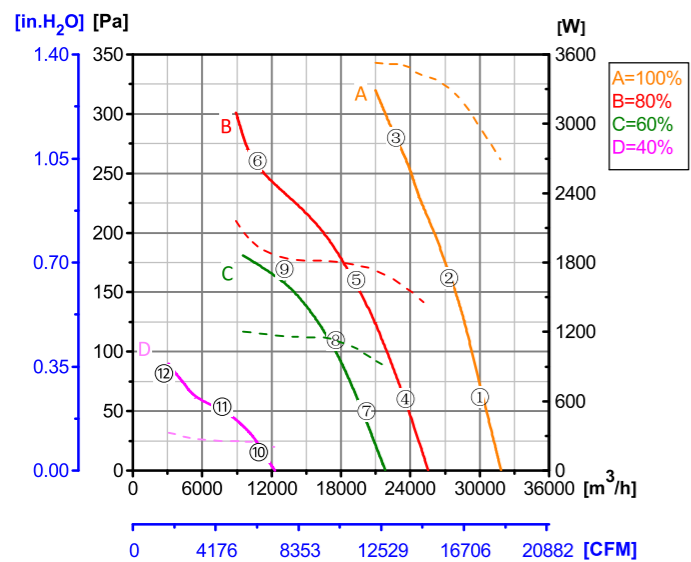
Φ 800

转子材质 Rotor Material: 碳钢 Carbon steel  
风叶材质 Blade Material: 塑料 Plastic  
防护等级 Ingress Protection: IP55  
绝缘等级 Insulation Class: F  
轴承类型 Bearing Type: 免维护滚珠球轴承  
Maintenance free ball bearing

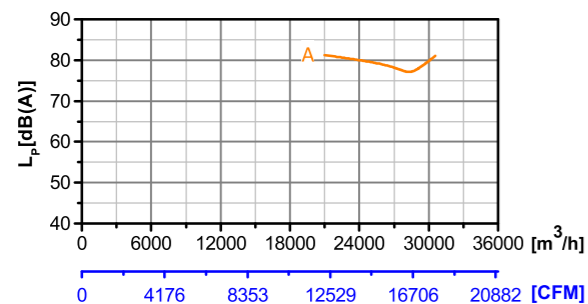
风机本体 Type A



性能曲线 Performance Curves

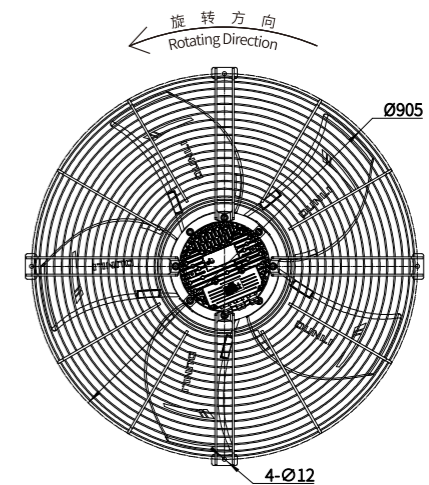
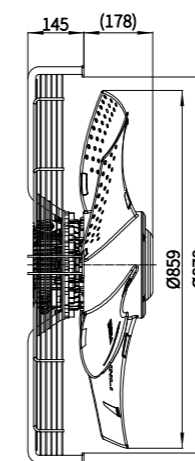


测试节点 Test Point	转速 Speed rpm	输入功率 Input Power W
1	1162	2884
2	1160	3264
3	1163	3515
4	928	1572
5	929	1774
6	930	1905
7	797	996
8	798	1132
9	798	1156
10	465	230
11	463	256
12	464	311

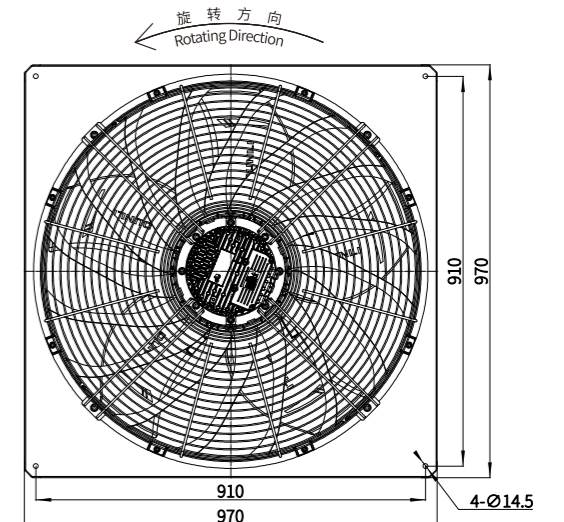
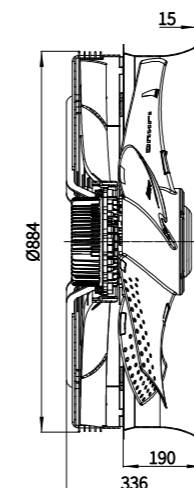


Erp2015 Data:  
Efficiency  $\eta_{statA}$  = 55%  
Efficiency grade  $N_{actual}$  = 58,  $N_{target}$  = 40  
Test report No. : L-20220923-002-A

D 型网罩 Type D



F 型面板 Type F



产品型号 Model No.	电压 Voltage	频率 Frequency	转速 Speed	输入功率 Input Power	电流 Current	运行温度 Working Temp.	认证 Approvals
	VDC	Hz	RPM	W	A	Min/Max (°C)	
EC180-A800-001	3~400	50/60	1150	2670	4.12	-25/+60	CCC,CE,UKCA

EC 高效机翼型轴流风机  
X-PRO

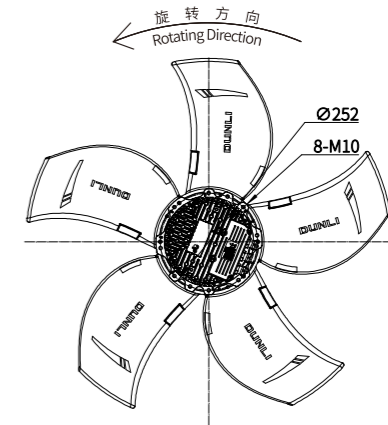
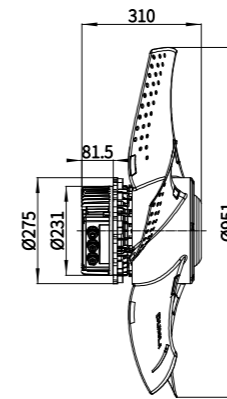
ErP2015  
EXCEEDS THE NORM



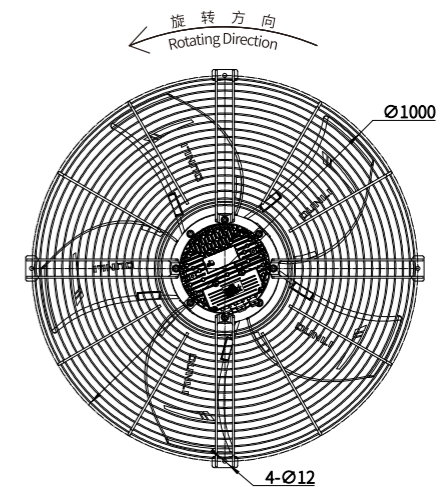
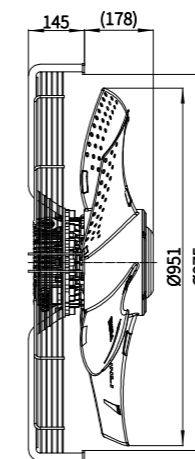
Φ 910

转子材质 Rotor Material: 碳钢 Carbon steel  
 风叶材质 Blade Material: 塑料 Plastic  
 防护等级 Ingress Protection: IP55  
 绝缘等级 Insulation Class: F  
 轴承类型 Bearing Type: 免维护滚珠球轴承  
 Maintenance free ball bearing

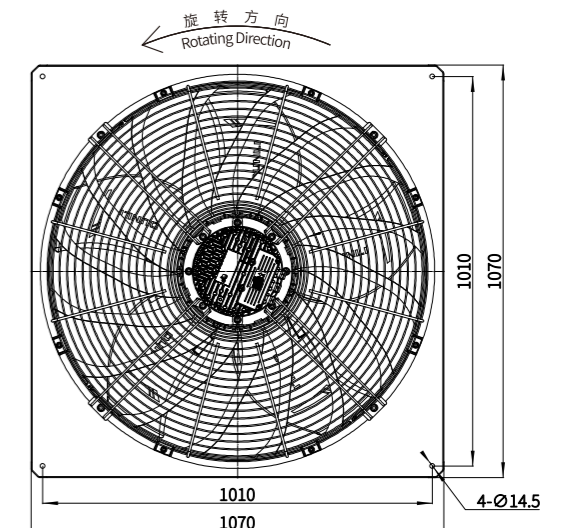
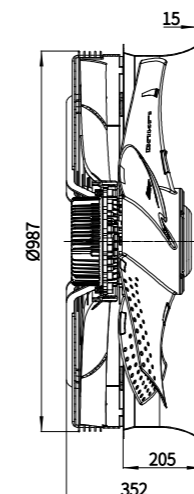
风机本体 Type A



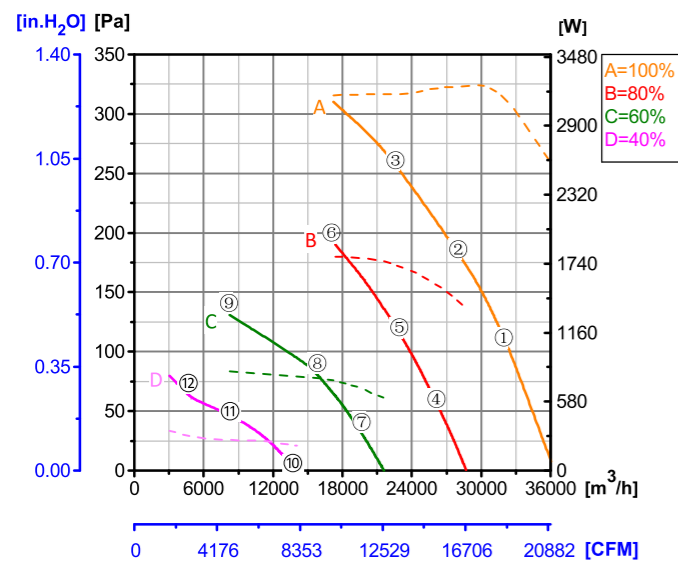
D 型网罩 Type D



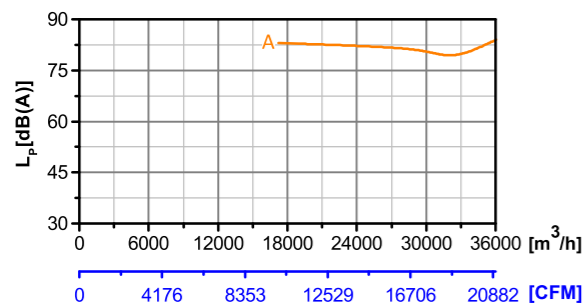
F 型面板 Type F



性能曲线 Performance Curves



测试节点 Test Point	转速 Speed rpm	输入功率 Input Power W
1	1051	3109
2	1026	3226
3	1015	3169
4	841	1546
5	840	1700
6	840	1800
7	634	687
8	635	779
9	635	833
10	420	209
11	421	255
12	421	339

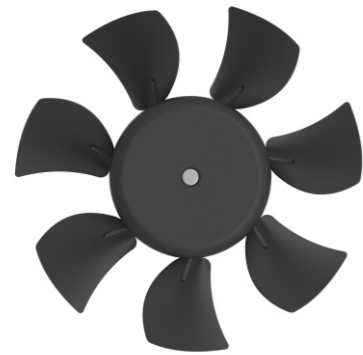


Erp2015 Data:  
 Efficiency  $\eta_{statA} = 55\%$   
 Efficiency grade  $N_{actual} = 58, N_{target} = 40$   
 Test report No. : L-20220928-002-A

产品型号 Model No.	电压 Voltage	频率 Frequency	转速 Speed	输入功率 Input Power	电流 Current	运行温度 Working Temp.	认证 Approvals
	VDC	Hz	RPM	W	A	Min/Max (°C)	
EC180-A910-C05	3~400	50/60	1030	2550	4.0	-25/+60	CCC,CE,UKCA

EC 常规金属叶片轴流风机  
EC Conventional Carbon Steel Blade Axial Fan

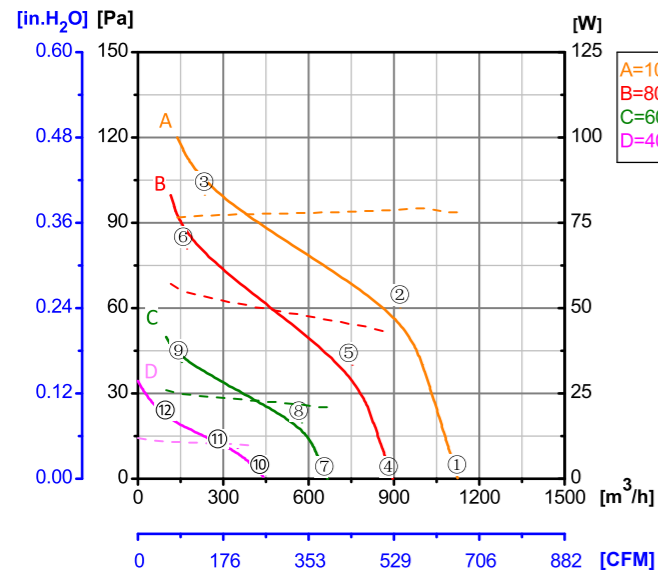
ErP2015  
EXCEEDS THE NORM



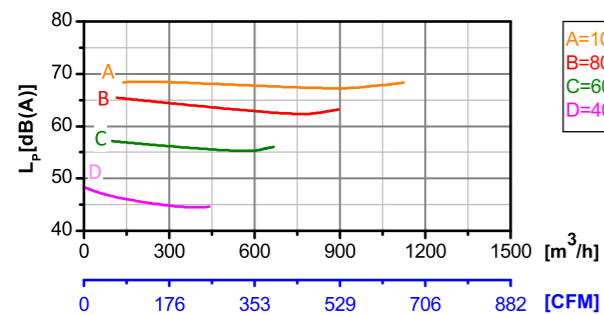
Φ 200

转子材质 Rotor Material: 碳钢 Carbon steel  
风叶材质 Blade Material: 碳钢 Carbon steel  
防护等级 Ingress Protection: IP44  
绝缘等级 Insulation Class: F  
轴承类型 Bearing Type: 免维护滚珠球轴承  
Maintenance free ball bearing

性能曲线 Performance Curves



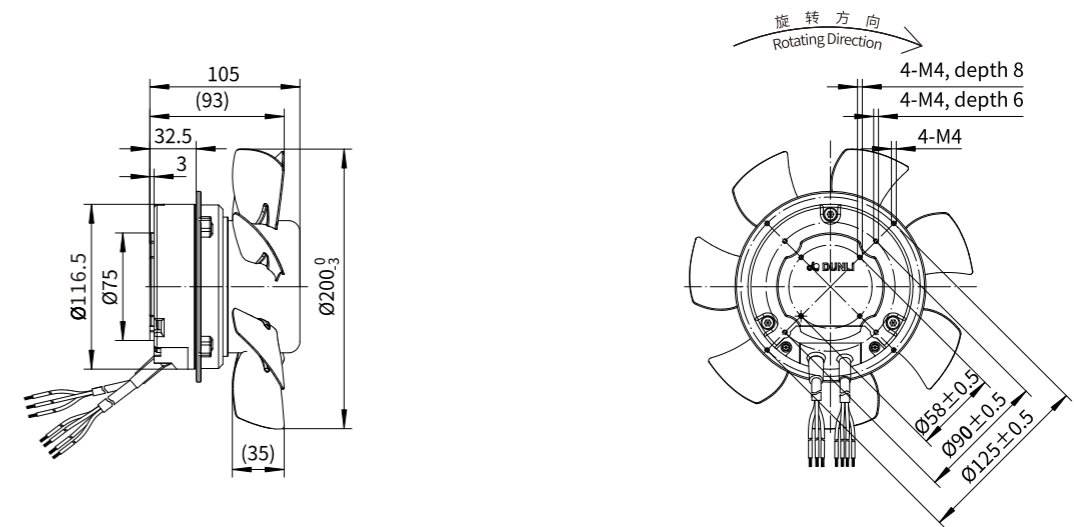
测试节点 Test Point	转速 Speed rpm	输入功率 Input Power W
1	3040	78
2	2974	78
3	2814	77
4	2433	42
5	2435	45
6	2438	53
7	1821	21
8	1830	22
9	1824	24
10	1222	9
11	1232	10
12	1228	11



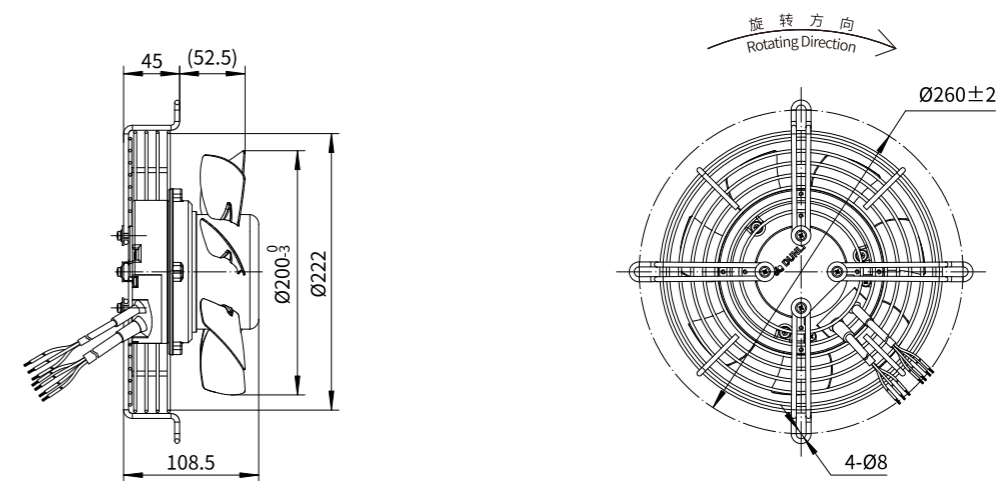
Erp2015 Data:  
Efficiency  $\eta_{statA}=0\%$   
Efficiency grade  $N_{actual}=0, N_{target}=40$   
Test report No. : L-20210302-004-018

产品型号 Model No.	电压 Voltage VAC	频率 Frequency Hz	转速 Speed RPM	输入功率 Input Power W	电流 Current A	运行温度 Working Temp. Min/Max (°C)	认证 Approvals
EC92-A200-IA33	1~220/230	50/60	2860	75	0.61	-20/+60	CCC,CE,UL

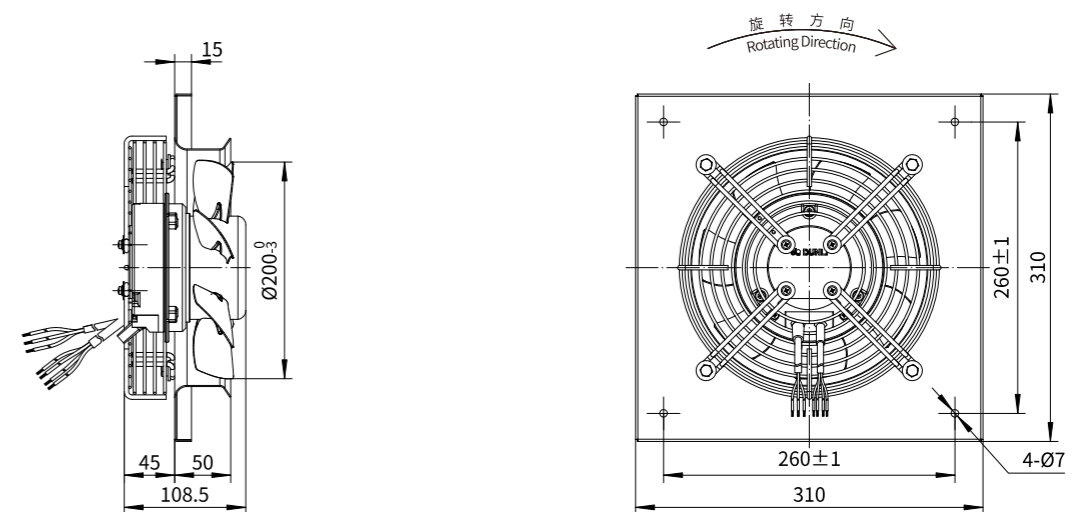
风机本体 Type A



C 型网罩 Type C

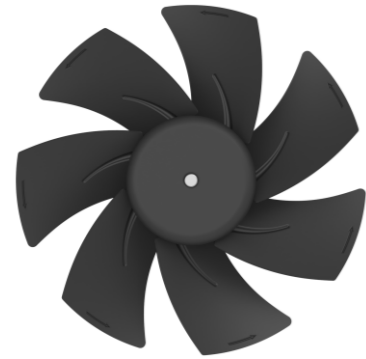


F 型面板 Type F



EC 常规金属叶片轴流风机  
EC Conventional Carbon Steel Blade Axial Fan

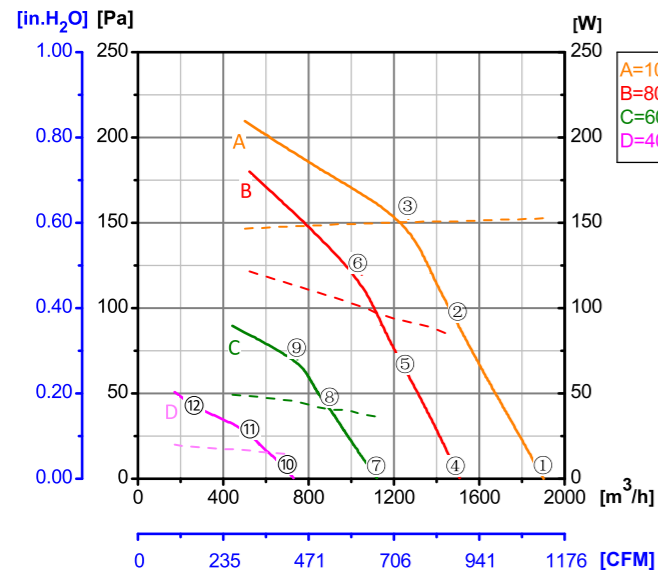
ErP2015  
EXCEEDS THE NORM



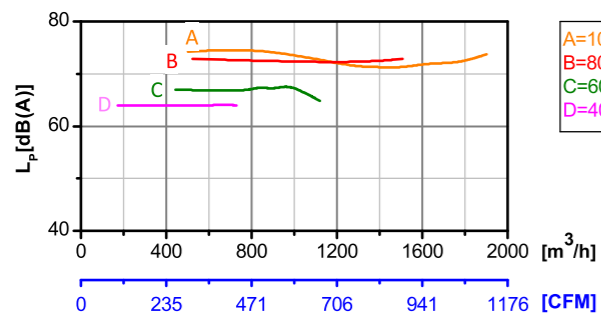
Φ 250

转子材质 Rotor Material: 碳钢 Carbon steel  
风叶材质 Blade Material: 碳钢 Carbon steel  
防护等级 Ingress Protection: IP44  
绝缘等级 Insulation Class: F  
轴承类型 Bearing Type: 免维护滚珠轴承  
Maintenance free ball bearing

性能曲线 Performance Curves



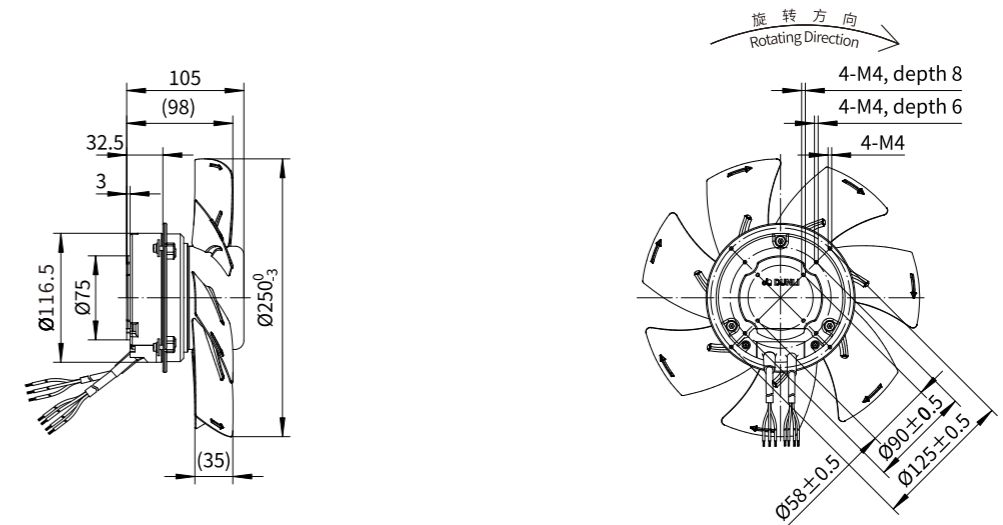
测试节点 Test Point	转速 Speed rpm	输入功率 Input Power W
1	2913	153
2	2786	151
3	2730	150
4	2332	81
5	2335	92
6	2335	101
7	1744	36
8	1741	40
9	1746	46
10	1163	14
11	1165	16
12	1164	18



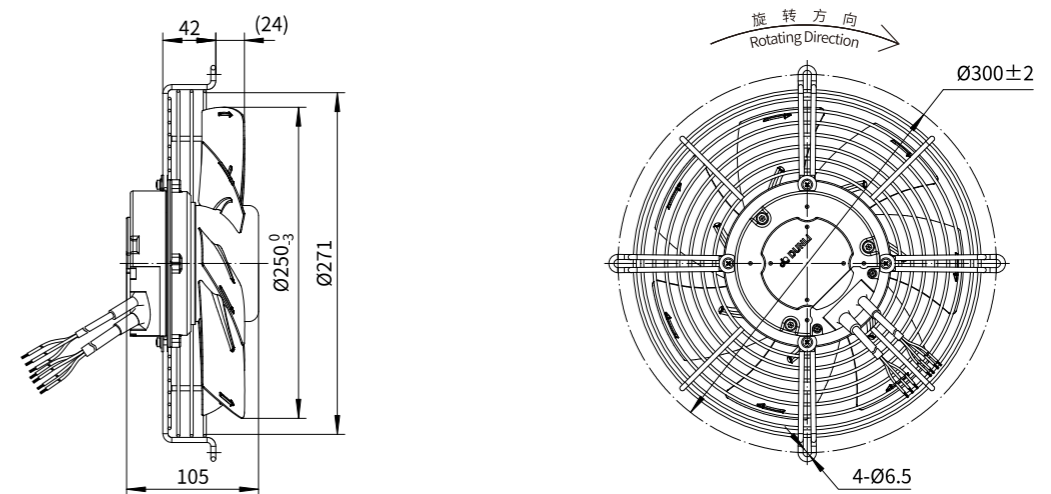
Erp2015 Data:  
Efficiency  $\eta_{statA}=40.8\%$   
Efficiency grade  $N_{actual}=52.3, N_{target}=40$   
Test report No. : L-20210302-004-019

产品型号 Model No.	电压 Voltage VAC	频率 Frequency Hz	转速 Speed RPM	输入功率 Input Power W	电流 Current A	运行温度 Working Temp. Min/Max (°C)	认证 Approvals
EC92-A250-031	1~220/230	50/60	3050	165	1.27	-20/+60	CCC,CE,UL

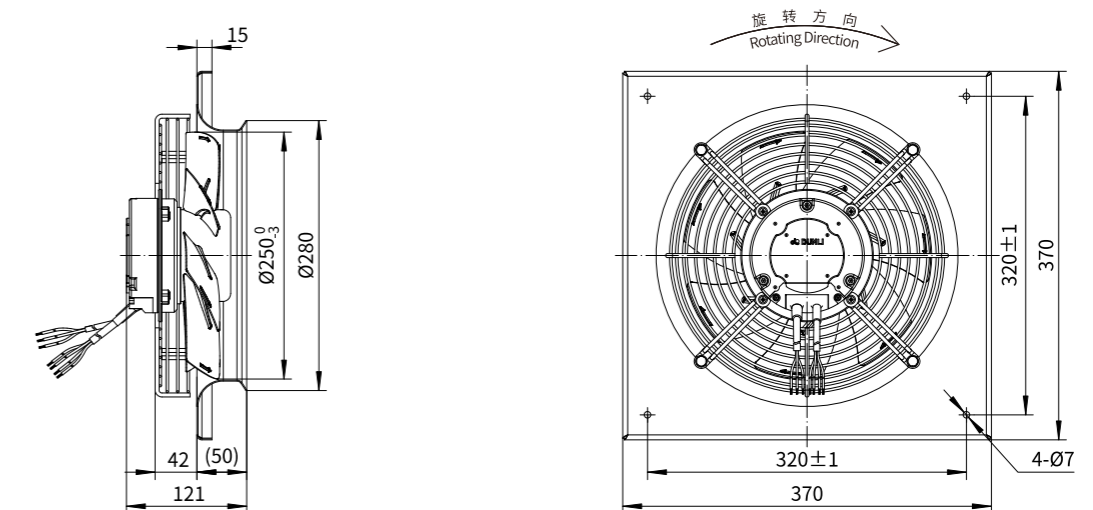
风机本体 Type A



C 型网罩 Type C

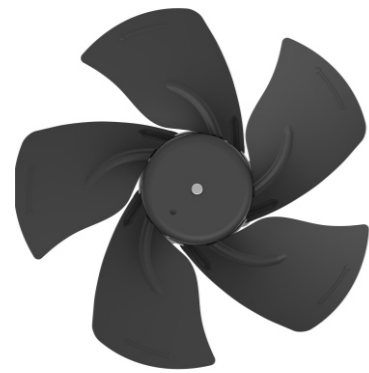


F 型面板 Type F



EC 常规金属叶片轴流风机  
EC Conventional Carbon Steel Blade Axial Fan

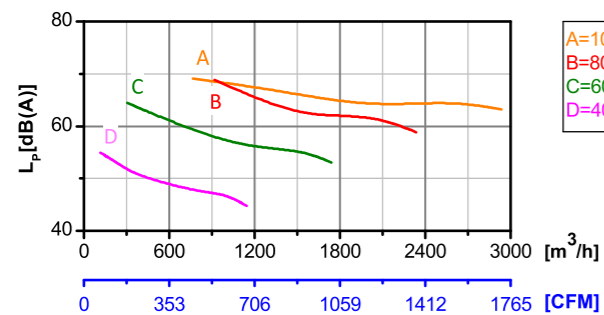
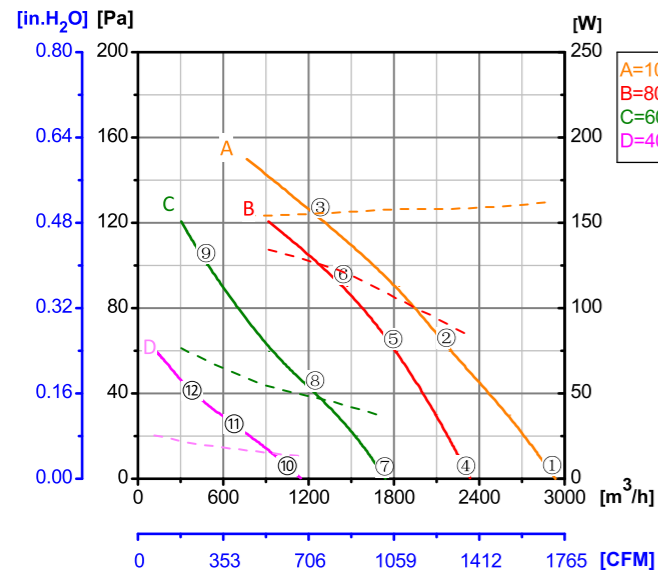
ErP2015  
EXCEEDS THE NORM



Φ 300

转子材质 Rotor Material: 碳钢 Carbon steel  
风叶材质 Blade Material: 碳钢 Carbon steel  
防护等级 Ingress Protection: IP44  
绝缘等级 Insulation Class: F  
轴承类型 Bearing Type: 免维护滚珠轴承  
Maintenance free ball bearing

性能曲线 Performance Curves

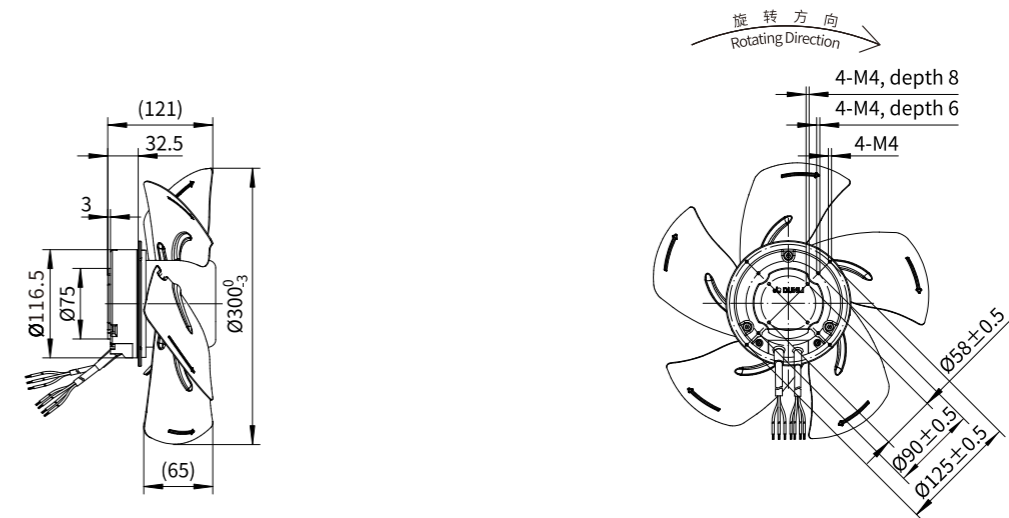


测试节点 Test Point	转速 Speed rpm	输入功率 Input Power W
1	2234	162
2	2051	158
3	1907	156
4	1786	83
5	1788	105
6	1789	134
7	1339	36
8	1342	48
9	1342	69
10	893	13
11	896	16
12	895	23

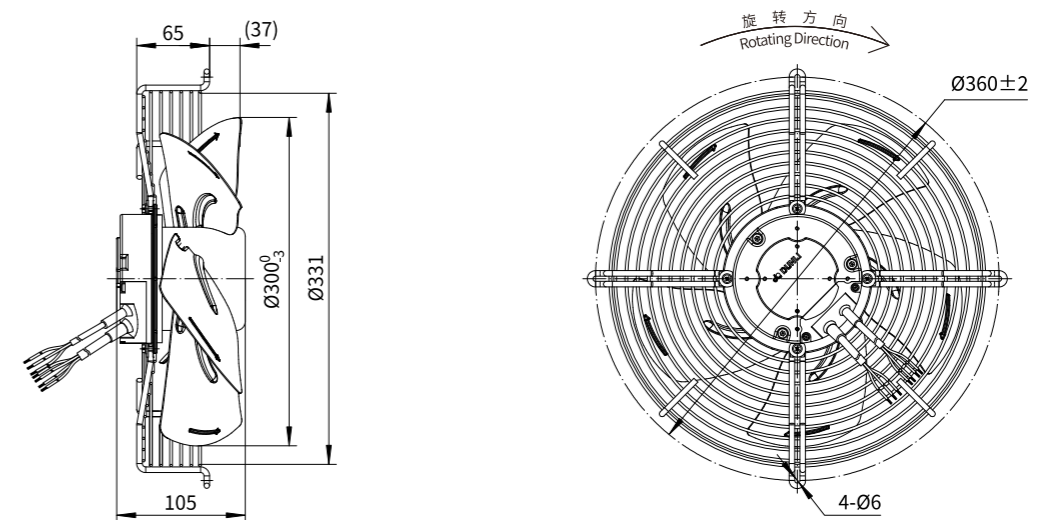
Erp2015 Data:  
Efficiency  $\eta_{statA}=33.2\%$   
Efficiency grade  $N_{actual}=44.6, N_{target}=40$   
Test report No. : L-20210302-004-020

产品型号 Model No.	电压 Voltage VAC	频率 Frequency Hz	转速 Speed RPM	输入功率 Input Power W	电流 Current A	运行温度 Working Temp. Min/Max (°C)	认证 Approvals
EC92-A300-015	1~220/230	50/60	2140	180	1.41	-20/+60	CCC,CE,UL

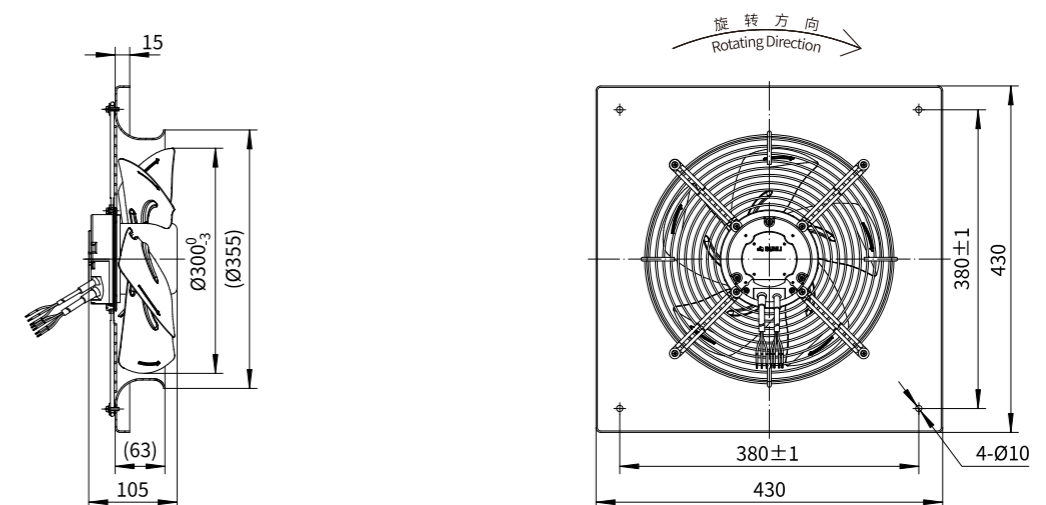
风机本体 Type A



D 型网罩 Type D



F 型面板 Type F



EC 常规金属叶片轴流风机  
EC Conventional Carbon Steel Blade Axial Fan

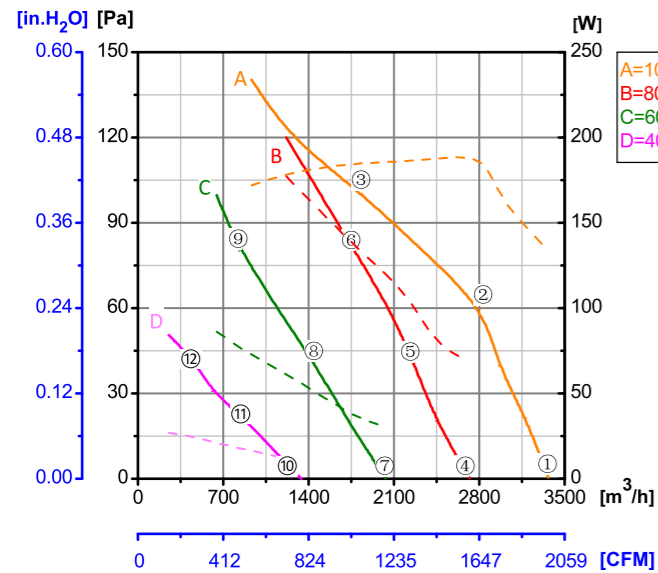
ErP2015  
EXCEEDS THE NORM



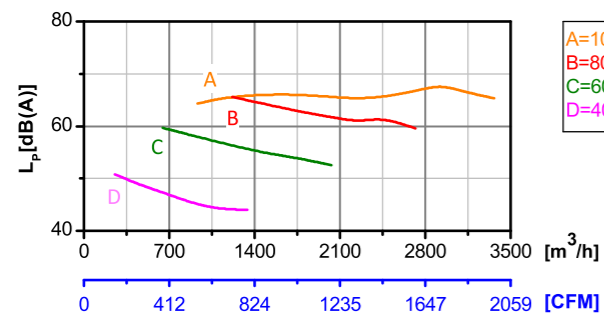
Φ 350

转子材质 Rotor Material: 碳钢 Carbon steel  
风叶材质 Blade Material: 碳钢 Carbon steel  
防护等级 Ingress Protection: IP44  
绝缘等级 Insulation Class: F  
轴承类型 Bearing Type: 免维护滚珠轴承  
Maintenance free ball bearing

性能曲线 Performance Curves



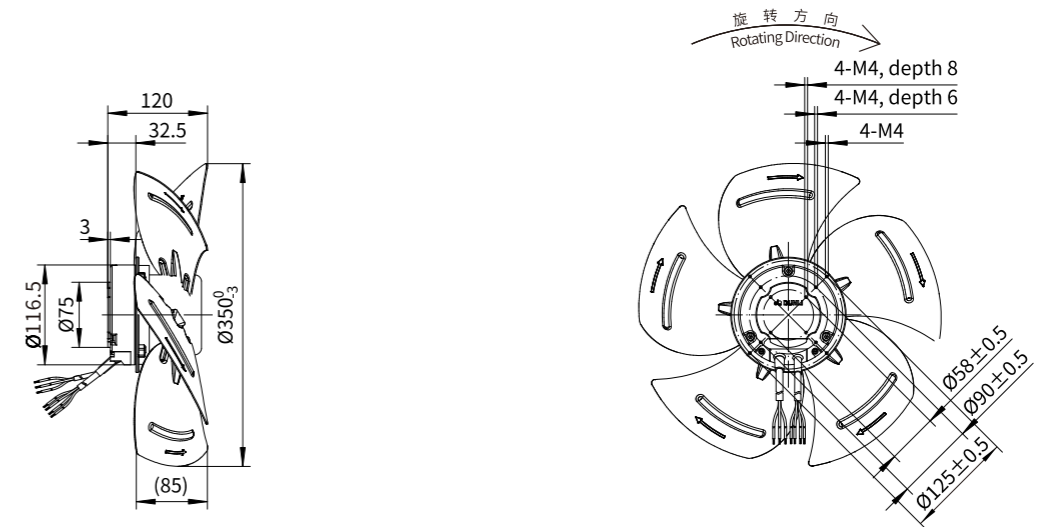
测试节点 Test Point	转速 Speed rpm	输入功率 Input Power W
1	1705	134
2	1707	192
3	1489	185
4	1364	69
5	1367	102
6	1366	136
7	1023	30
8	1026	52
9	1025	76
10	681	11
11	689	17
12	682	25



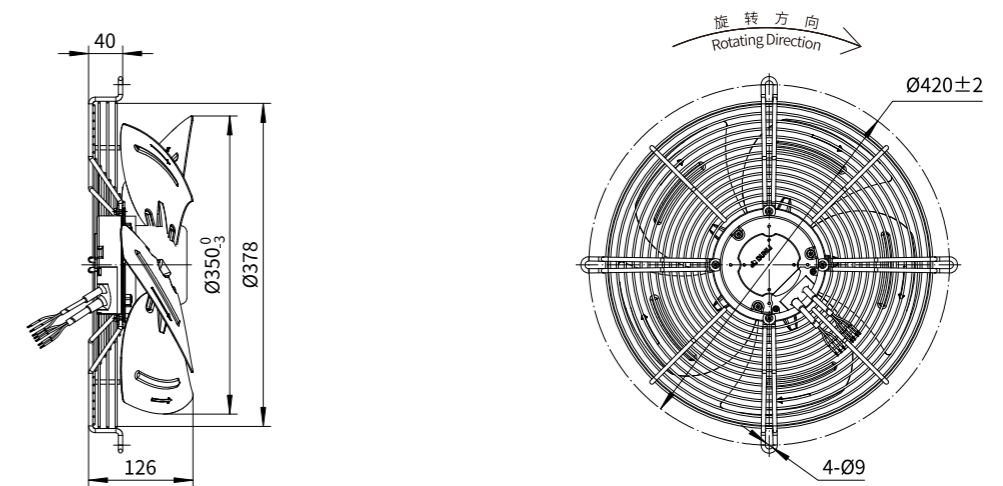
Erp2015 Data:  
Efficiency  $\eta_{statA}=31.8\%$   
Efficiency grade  $N_{actual}=42.8, N_{target}=40$   
Test report No. : L-20210302-004-021

产品型号 Model No.	电压 Voltage VAC	频率 Frequency Hz	转速 Speed RPM	输入功率 Input Power W	电流 Current A	运行温度 Working Temp. Min/Max (°C)	认证 Approvals
EC92-A350-032	1~220/230	50/60	1750	180	1.25	-20/+60	CCC,CE,UL

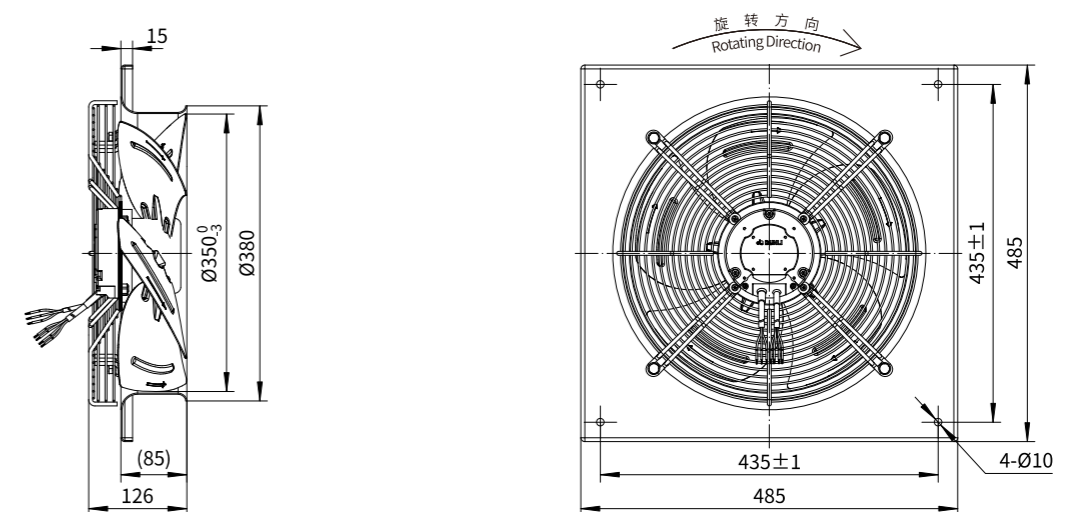
风机本体 Type A



D 型网罩 Type D

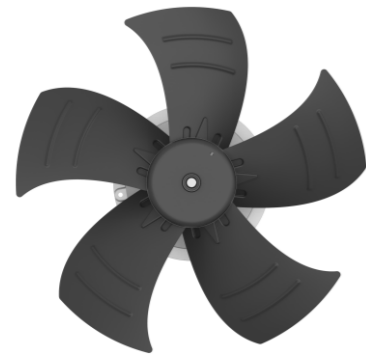


F 型面板 Type F



EC 常规金属叶片轴流风机  
EC Conventional Carbon Steel Blade Axial Fan

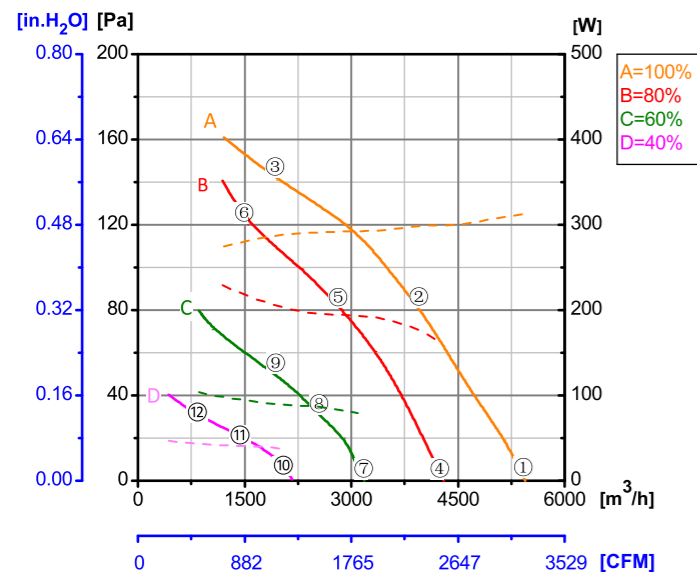
ErP2015  
EXCEEDS THE NORM



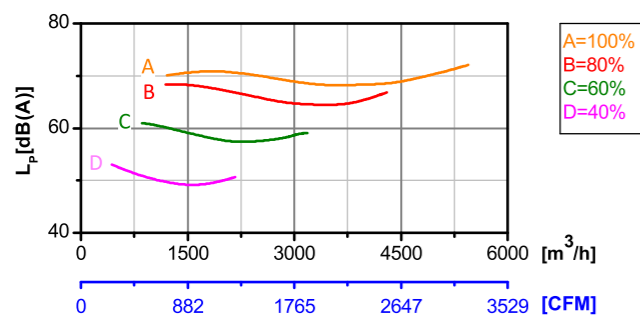
Φ 400

转子材质 Rotor Material: 碳钢 Carbon steel  
风叶材质 Blade Material: 碳钢 Carbon steel  
防护等级 Ingress Protection: IP54  
绝缘等级 Insulation Class: F  
轴承类型 Bearing Type: 免维护滚珠球轴承  
Maintenance free ball bearing

性能曲线 Performance Curves



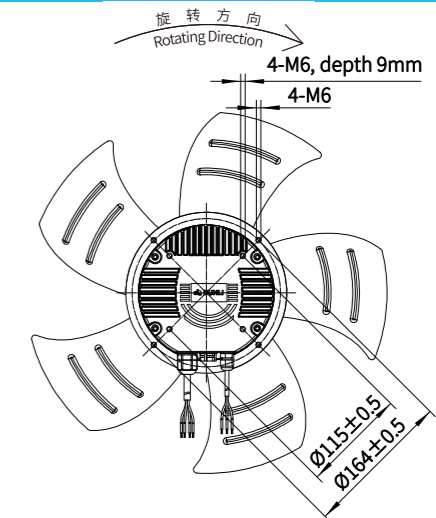
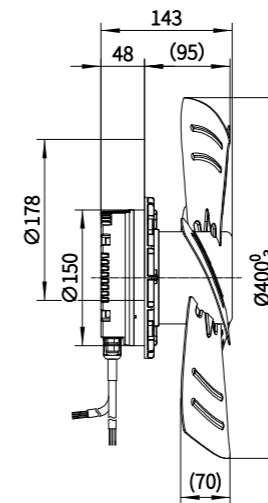
测试节点 Test Point	转速 Speed rpm	输入功率 Input Power W
1	1601	312
2	1500	300
3	1455	290
4	1281	160
5	1283	195
6	1285	215
7	958	77
8	961	87
9	962	89
10	663	36
11	666	41
12	666	47



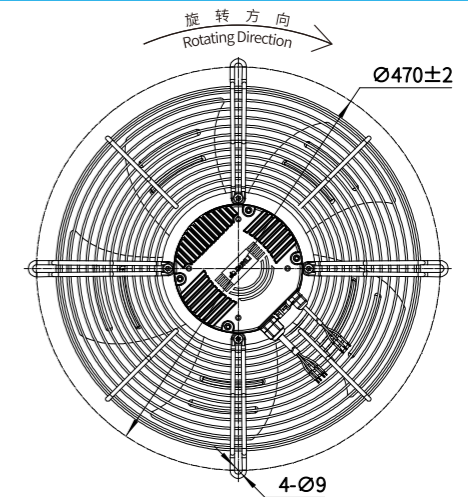
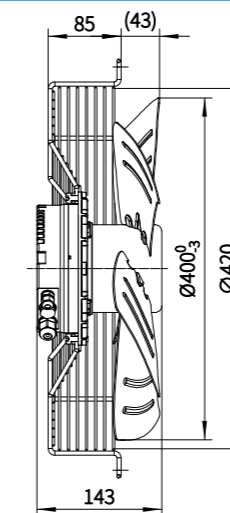
Erp2015 Data:  
Efficiency  $\eta_{statA}$  = 38.6%  
Efficiency grade  $N_{actual}$  = 48.4,  $N_{target}$  = 40  
Test report No. : L-20210302-004-044

产品型号 Model No.	电压 Voltage	频率 Frequency	转速 Speed	输入功率 Input Power	电流 Current	运行温度 Working Temp.	认证 Approvals
	VAC	Hz	RPM	W	A	Min/Max (°C)	
EC102-A400-010	1~220/230	50/60	1600	320	1.55	-20/+60	CCC,CE

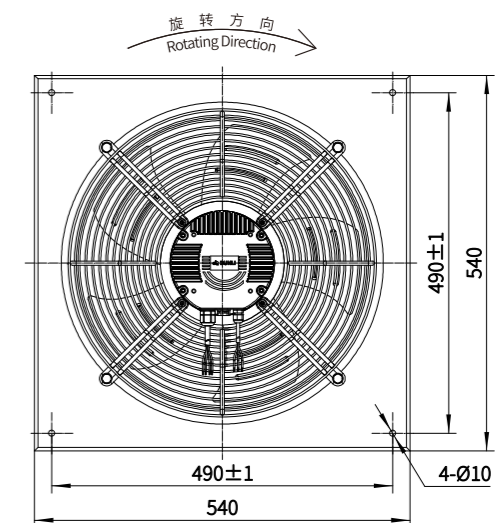
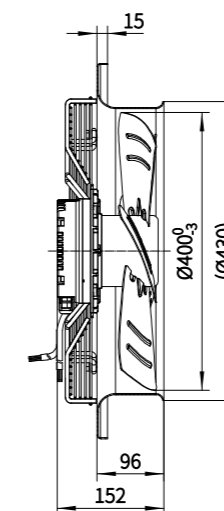
风机本体 Type A



D 型网罩 Type D

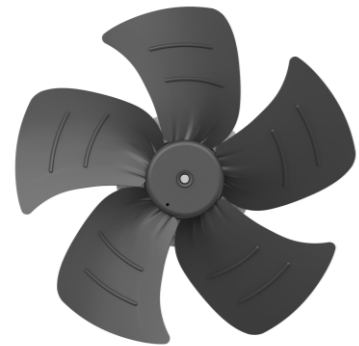


F 型面板 Type F



EC 常规金属叶片轴流风机  
EC Conventional Carbon Steel Blade Axial Fan

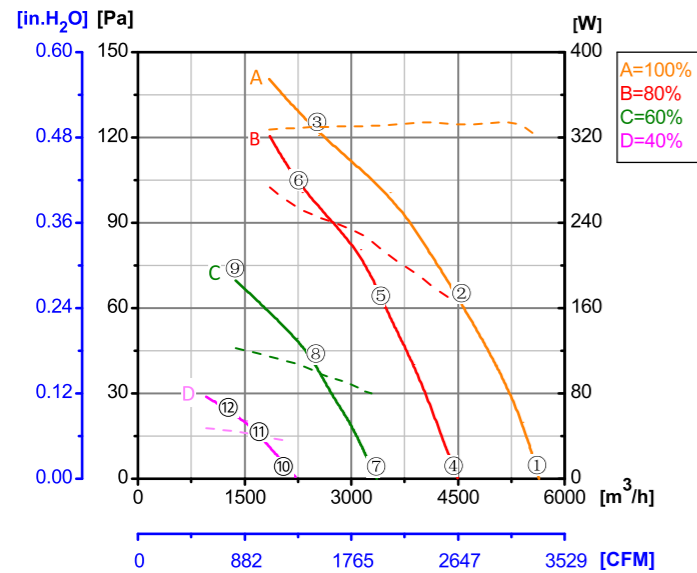
ErP2015  
EXCEEDS THE NORM



Φ 450

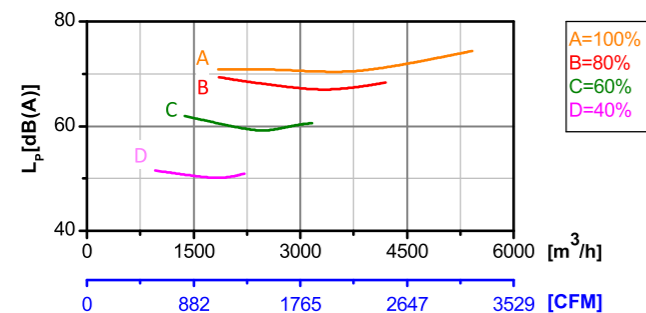
转子材质 Rotor Material: 碳钢 Carbon steel  
风叶材质 Blade Material: 碳钢 Carbon steel  
防护等级 Ingress Protection: IP54  
绝缘等级 Insulation Class: F  
轴承类型 Bearing Type: 免维护滚珠球轴承  
Maintenance free ball bearing

性能曲线 Performance Curves



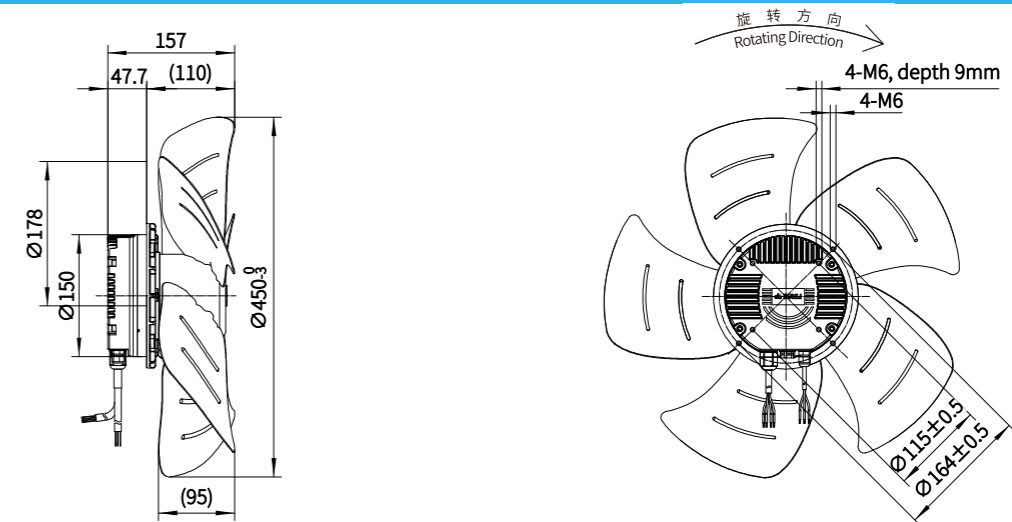
测试节点 Test Point	转速 Speed rpm	输入功率 Input Power W
1	1310	318
2	1233	331
3	1142	331
4	1044	165
5	1045	211
6	1044	248
7	786	78
8	787	100
9	789	122
10	525	34
11	526	37
12	526	43

Erp2015 Data:  
Efficiency  $\eta_{statA}$  = 33.7%  
Efficiency grade  $N_{actual}$  = 43,  $N_{target}$  = 40  
Test report No. : L-20210302-004-045

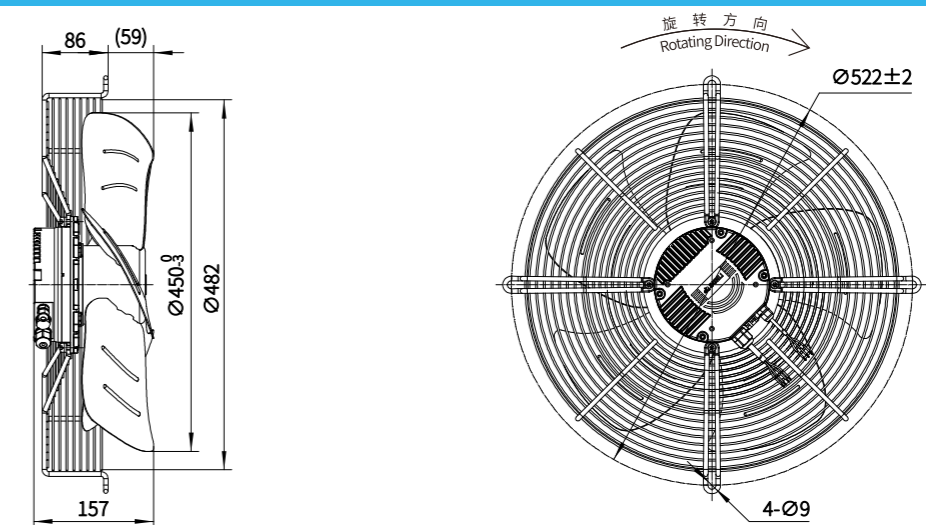


产品型号 Model No.	电压 Voltage	频率 Frequency	转速 Speed	输入功率 Input Power	电流 Current	运行温度 Working Temp.	认证 Approvals
	VAC	Hz	RPM	W	A	Min/Max (°C)	
EC102-A450-012	1~220/230	50/60	1310	300	1.30	-20/+60	CCC, CE

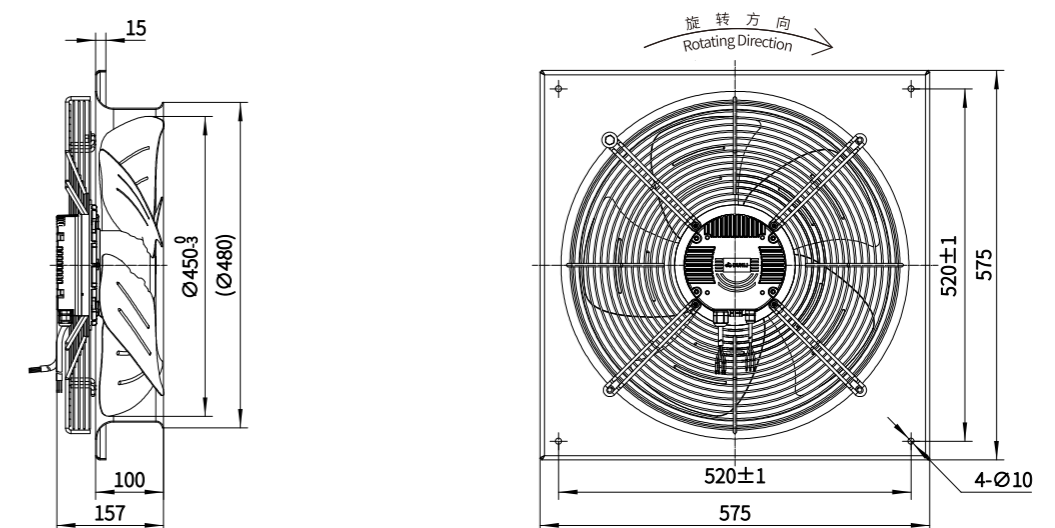
风机本体 Type A



D 型网罩 Type D



F 型面板 Type F





EC 常规金属叶片轴流风机  
EC Conventional Carbon Steel Blade Axial Fan

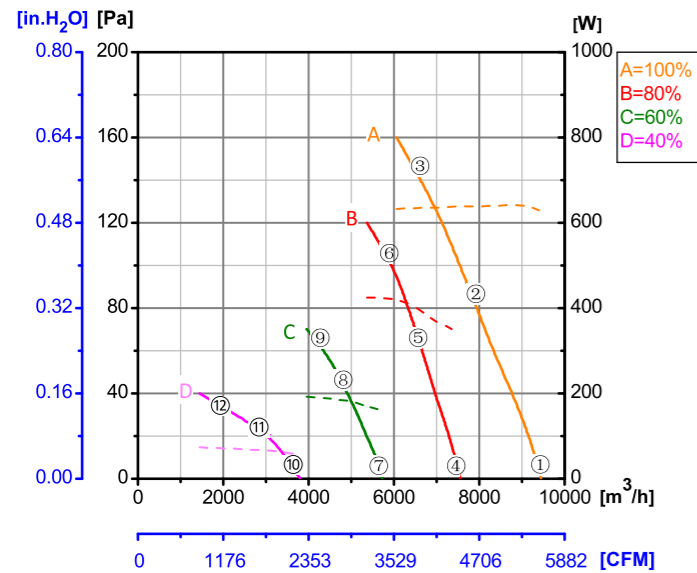
ErP2015  
EXCEEDS THE NORM



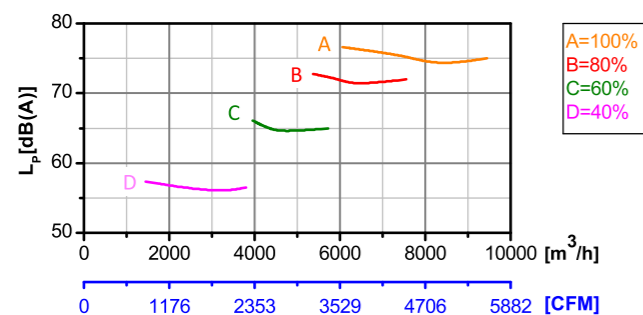
Φ 500

转子材质 Rotor Material: 碳钢 Carbon steel  
风叶材质 Blade Material: 碳钢 Carbon steel  
防护等级 Ingress Protection: IP54  
绝缘等级 Insulation Class: F  
轴承类型 Bearing Type: 免维护滚珠轴承  
Maintenance free ball bearing

性能曲线 Performance Curves



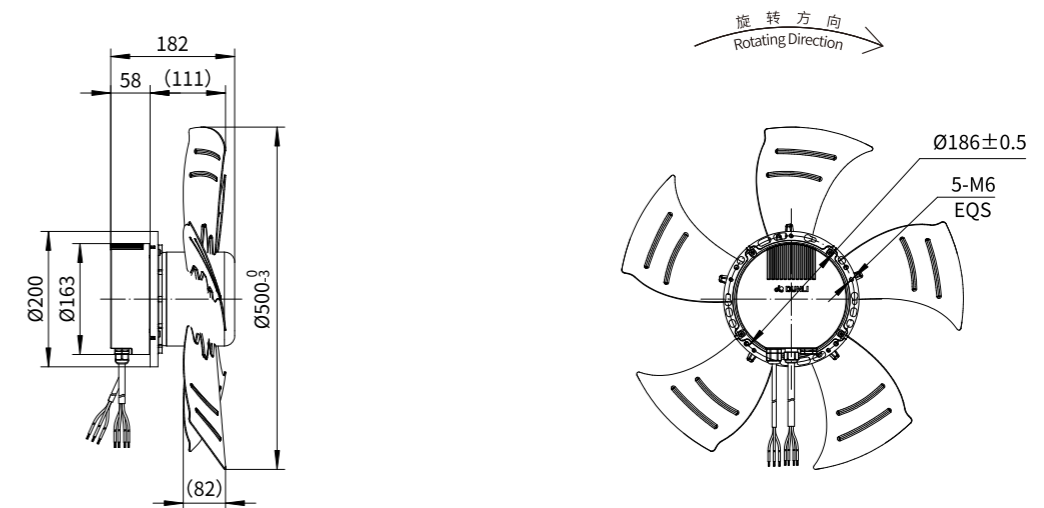
测试节点 Test Point	转速 Speed rpm	输入功率 Input Power W
1	1672	626
2	1598	638
3	1550	635
4	1346	328
5	1343	393
6	1344	423
7	1007	154
8	1007	182
9	1010	190
10	677	57
11	675	66
12	677	65



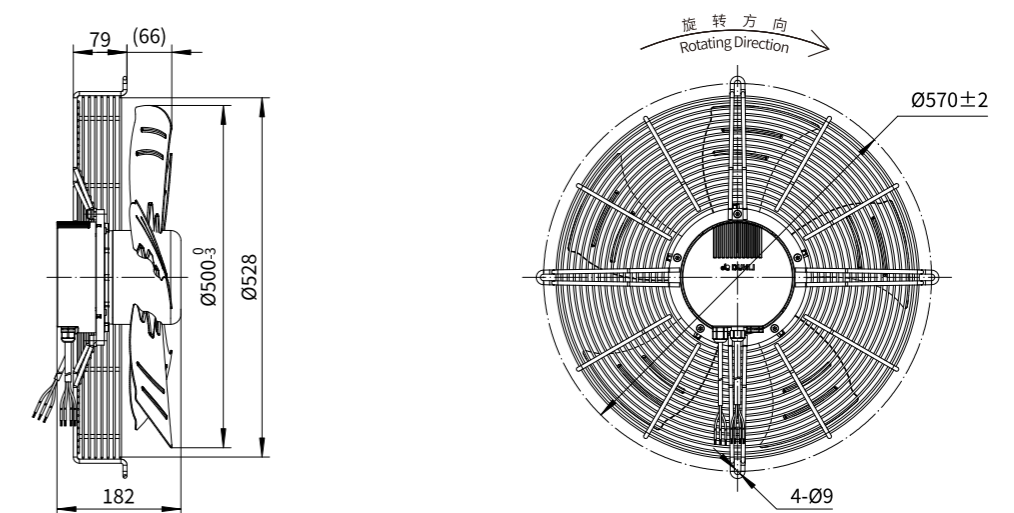
Erp2015 Data:  
Efficiency  $\eta_{statA}=46.9\%$   
Efficiency grade  $N_{actual}=54.5, N_{target}=40$   
Test report No. : L-20210302-004-056

产品型号 Model No.	电压 Voltage VAC	频率 Frequency Hz	转速 Speed RPM	输入功率 Input Power W	电流 Current A	运行温度 Working Temp. Min/Max (°C)	认证 Approvals
EC137-A500-003	1~220/230	50/60	1670	700	4.20	-20/+60	CCC,CE

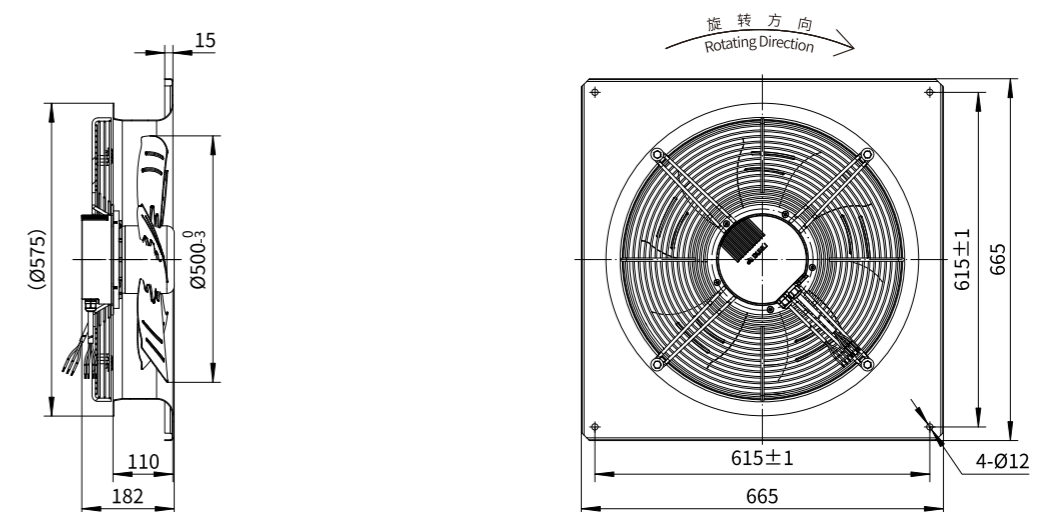
风机本体 Type A



D 型网罩 Type D



F 型面板 Type F



EC 常规金属叶片轴流风机  
EC Conventional Carbon Steel Blade Axial Fan

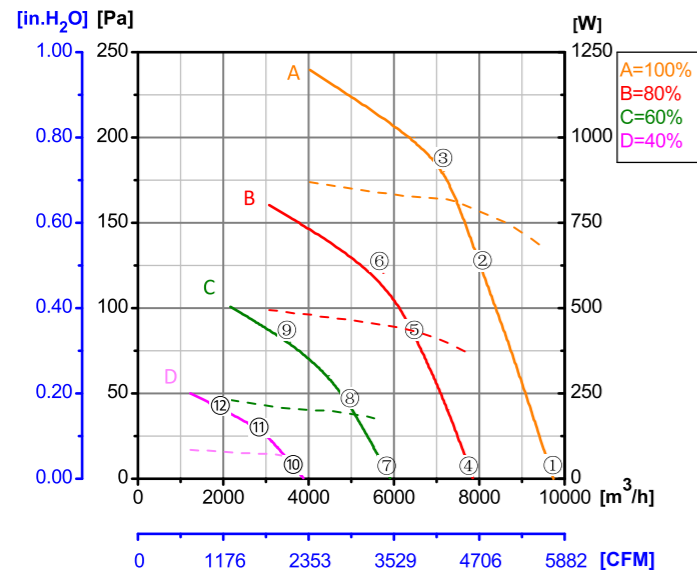
ErP2015  
EXCEEDS THE NORM



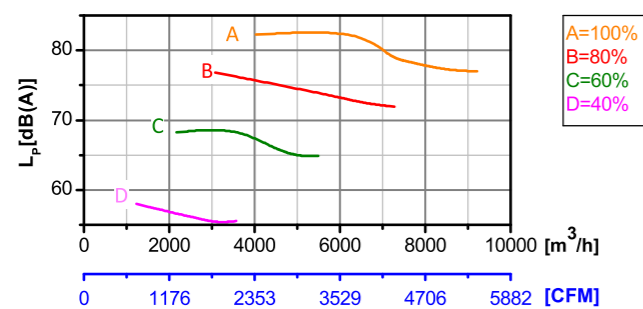
Φ 500 (3-phase)

转子材质 Rotor Material: 碳钢 Carbon steel  
风叶材质 Blade Material: 碳钢 Carbon steel  
防护等级 Ingress Protection: IP54  
绝缘等级 Insulation Class: F  
轴承类型 Bearing Type: 免维护滚珠轴承  
Maintenance free ball bearing

性能曲线 Performance Curves



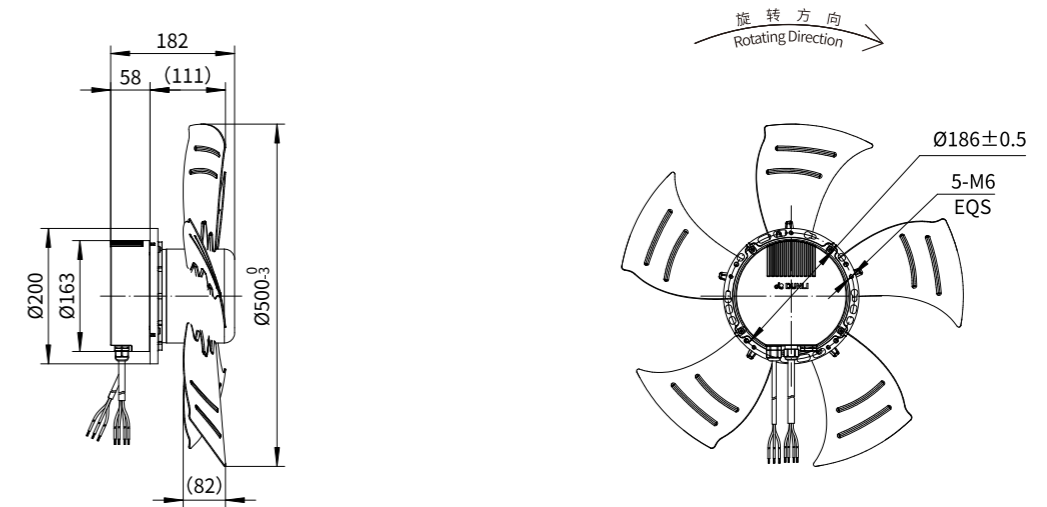
测试节点 Test Point	转速 Speed rpm	输入功率 Input Power W
1	1740	660
2	1723	777
3	1723	823
4	1392	361
5	1396	431
6	1396	454
7	1044	167
8	1044	191
9	1044	202
10	695	61
11	697	70
12	696	78



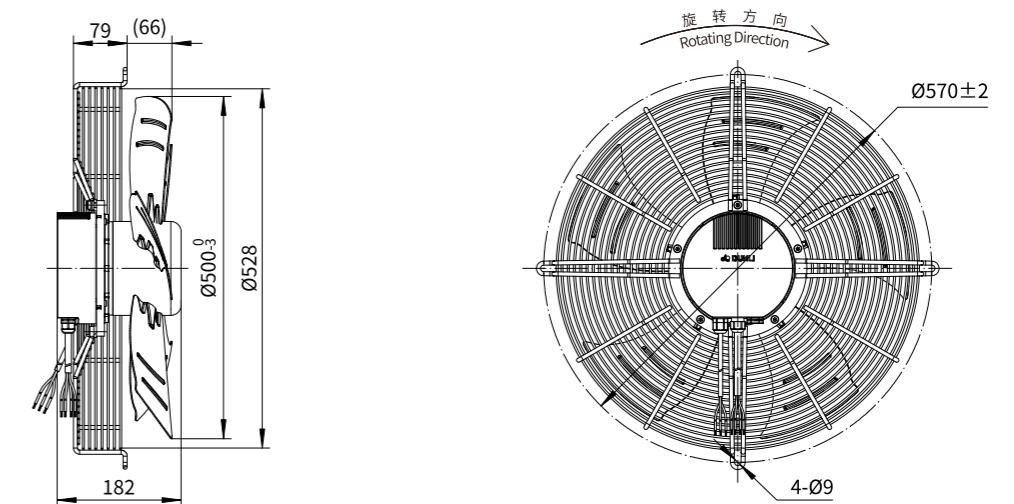
Erp2015 Data:  
Efficiency  $\eta_{statA}=47.9\%$   
Efficiency grade  $N_{actual}=54.8, N_{target}=40$   
Test report No. : L-20210302-004-055

产品型号 Model No.	电压 Voltage VAC	频率 Frequency Hz	转速 Speed RPM	输入功率 Input Power W	电流 Current A	运行温度 Working Temp. Min/Max (°C)	认证 Approvals
EC137-A500-002	3~380/400	50/60	1800	900	1.60	-20/+60	CCC,CE

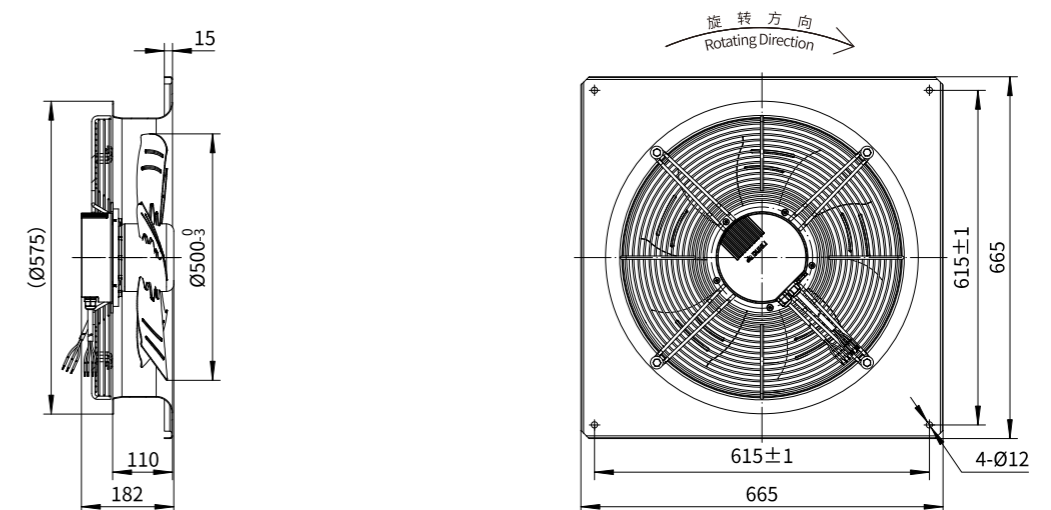
风机本体 Type A



D 型网罩 Type D



F 型面板 Type F



EC 常规金属叶片轴流风机  
EC Conventional Carbon Steel Blade Axial Fan

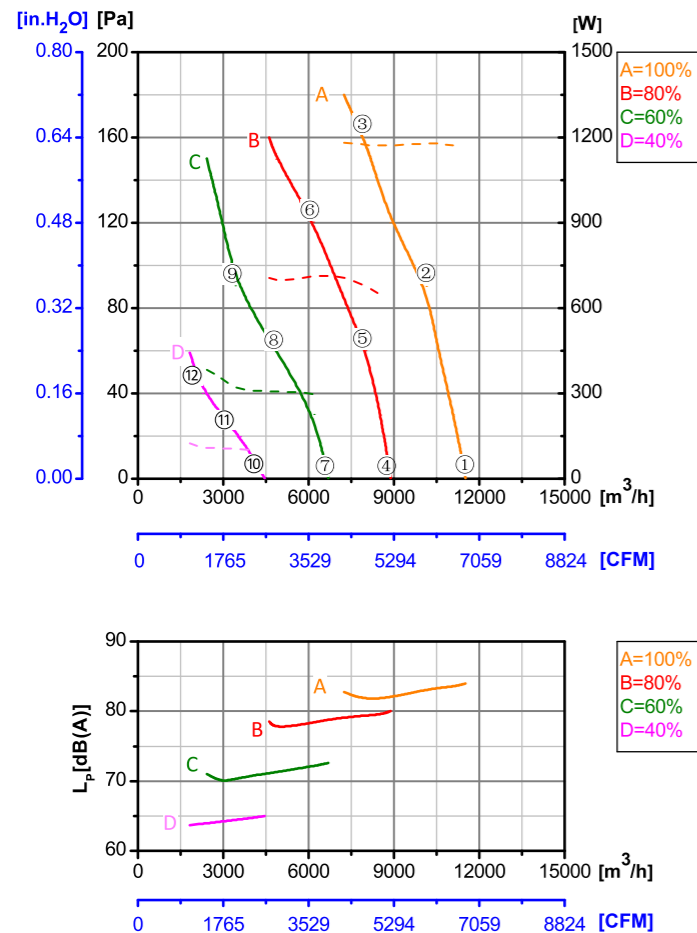
ErP2015  
EXCEEDS THE NORM



Φ 550

转子材质 Rotor Material: 碳钢 Carbon steel  
风叶材质 Blade Material: 碳钢 Carbon steel  
防护等级 Ingress Protection: IP54  
绝缘等级 Insulation Class: F  
轴承类型 Bearing Type: 免维护滚珠轴承  
Maintenance free ball bearing

性能曲线 Performance Curves

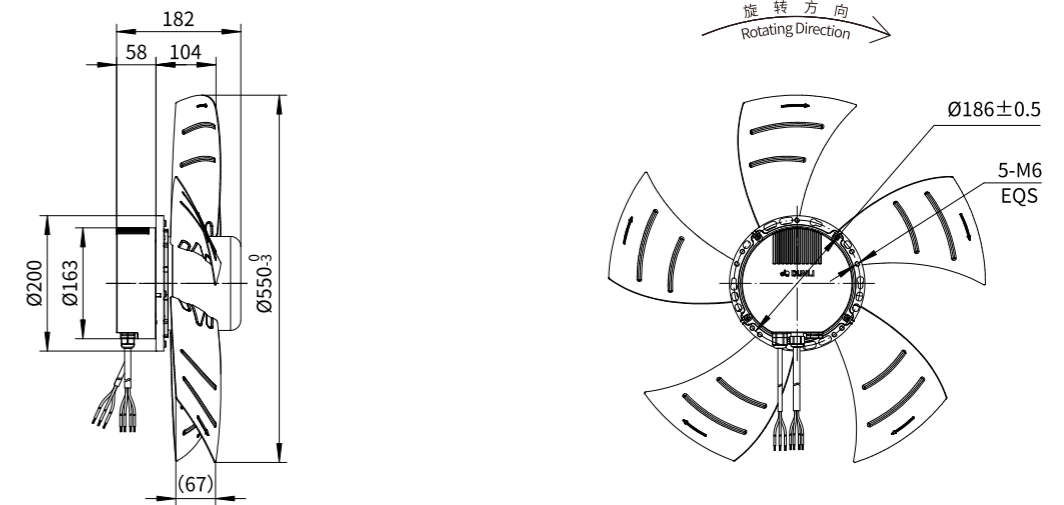


测试节点 Test Point	转速 Speed rpm	输入功率 Input Power W
1	1721	1171
2	1662	1179
3	1642	1177
4	1380	605
5	1382	675
6	1383	713
7	1031	272
8	1036	307
9	1038	309
10	695	97
11	695	106
12	697	107

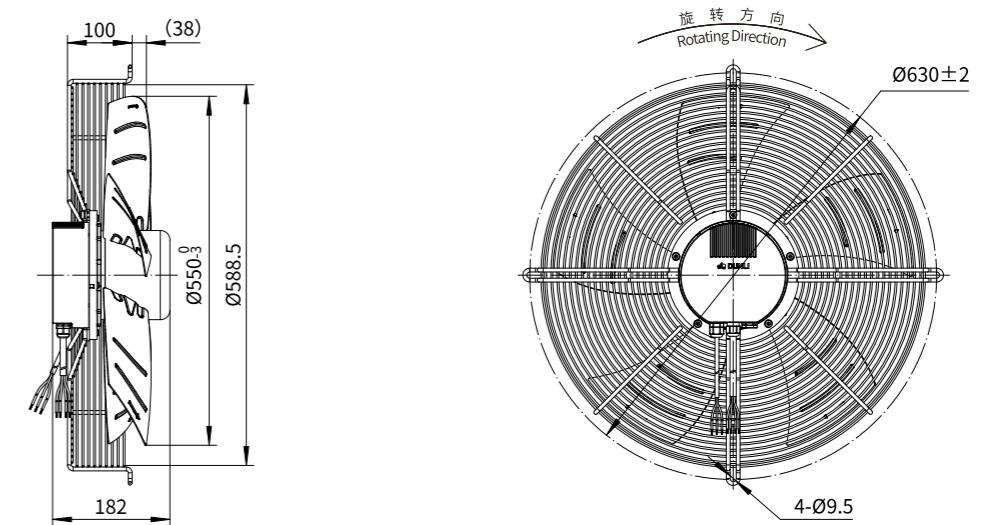
Erp2015 Data:  
Efficiency  $\eta_{statA}=33.8\%$   
Efficiency grade  $N_{actual}=40, N_{target}=40$   
Test report No. : L-20211022-015-111

产品型号 Model No.	电压 Voltage	频率 Frequency	转速 Speed	输入功率 Input Power	电流 Current	运行温度 Working Temp.	认证 Approvals
	VAC	Hz	RPM	W	A	Min/Max (°C)	
EC137-A550-C05	3~380/400	50/60	1800	1100	1.80	-20/+60	CCC,CE

风机本体 Type A



D 型网罩 Type D



EC 常规金属叶片轴流风机  
EC Conventional Carbon Steel Blade Axial Fan

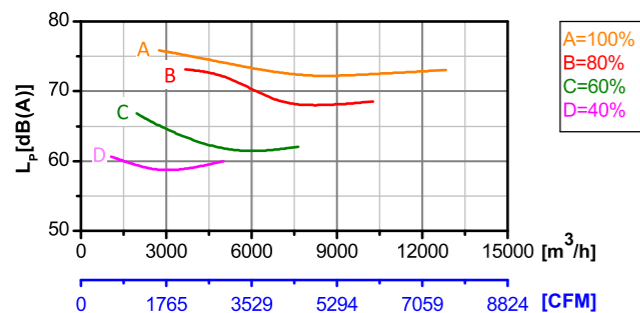
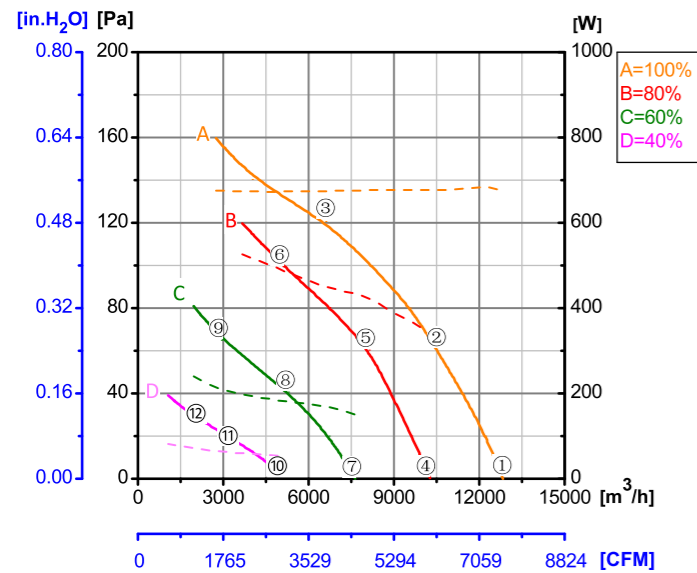
ErP2015  
EXCEEDS THE NORM



Φ 630

转子材质 Rotor Material: 碳钢 Carbon steel  
风叶材质 Blade Material: 碳钢 Carbon steel  
防护等级 Ingress Protection: IP54  
绝缘等级 Insulation Class: F  
轴承类型 Bearing Type: 免维护滚珠球轴承  
Maintenance free ball bearing

性能曲线 Performance Curves

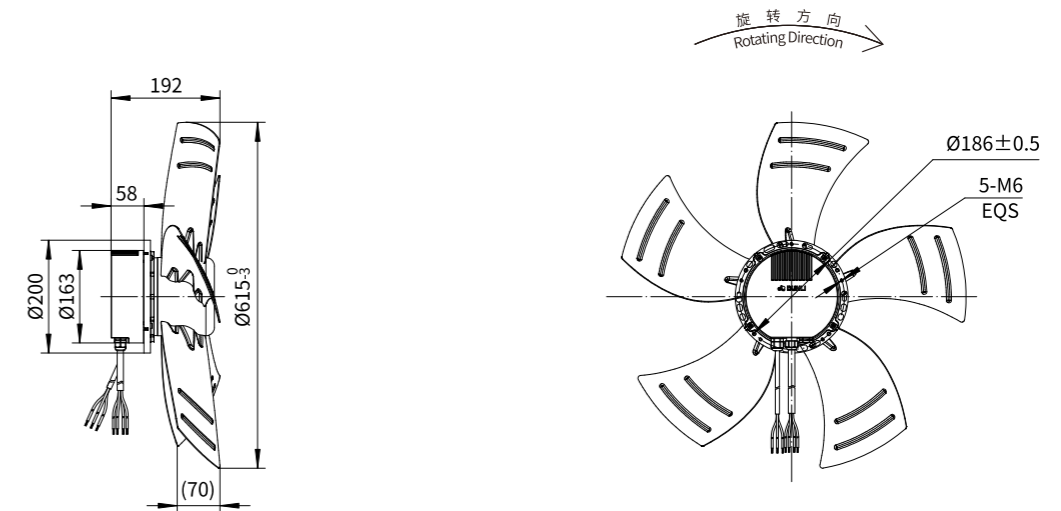


测试节点 Test Point	转速 Speed rpm	输入功率 Input Power W
1	1155	673
2	1101	677
3	1051	674
4	927	339
5	931	429
6	930	488
7	694	151
8	695	181
9	695	203
10	467	54
11	465	62
12	466	73

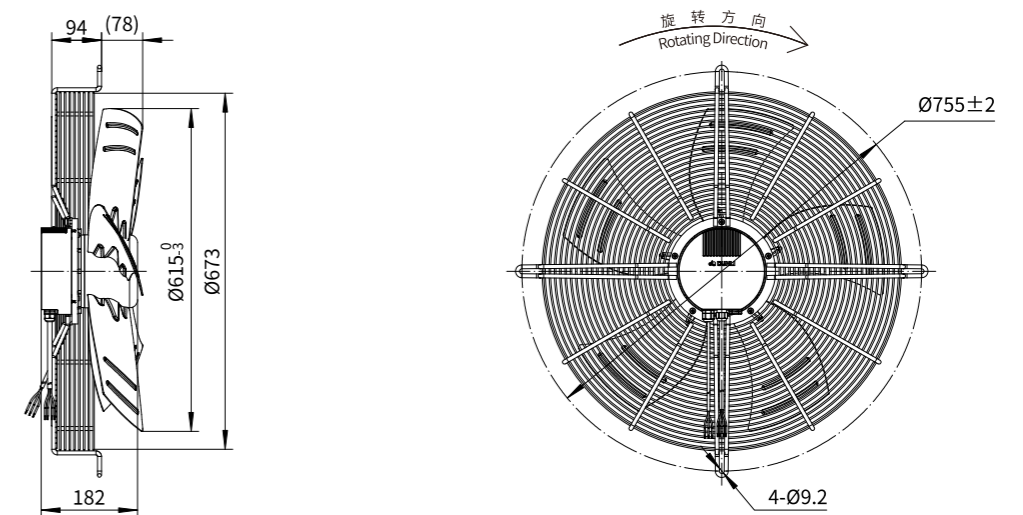
Erp2015 Data:  
Efficiency  $\eta_{statA}=37.1\%$   
Efficiency grade  $N_{actual}=44.5, N_{target}=40$   
Test report No. : L-20210302-004-058

产品型号 Model No.	电压 Voltage VAC	频率 Frequency Hz	转速 Speed RPM	输入功率 Input Power W	电流 Current A	运行温度 Working Temp. Min/Max (°C)	认证 Approvals
EC137-A630-011	1~220/230	50/60	1160	650	4.20	-20/+60	CCC,CE

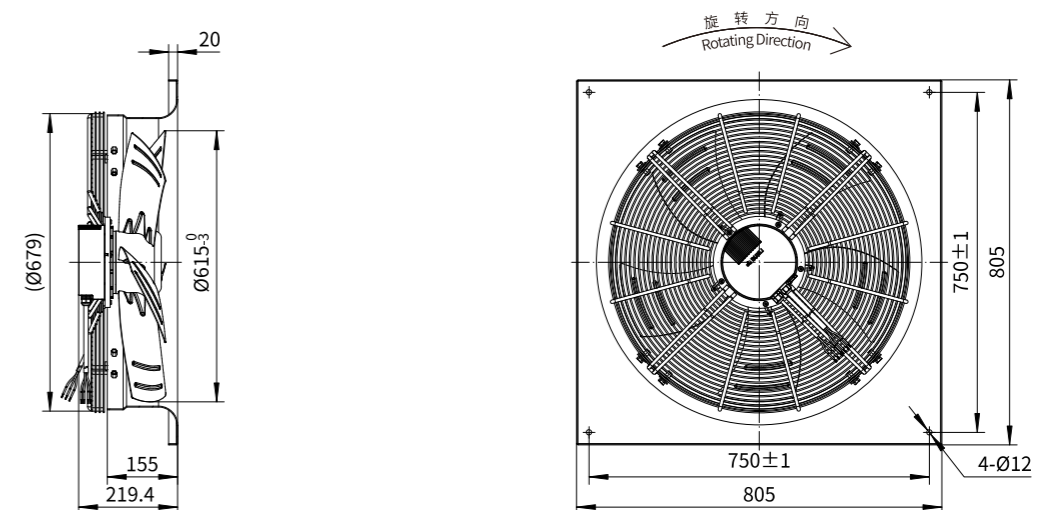
风机本体 Type A



D 型网罩 Type D



F 型面板 Type F



EC 常规金属叶片轴流风机  
EC Conventional Carbon Steel Blade Axial Fan

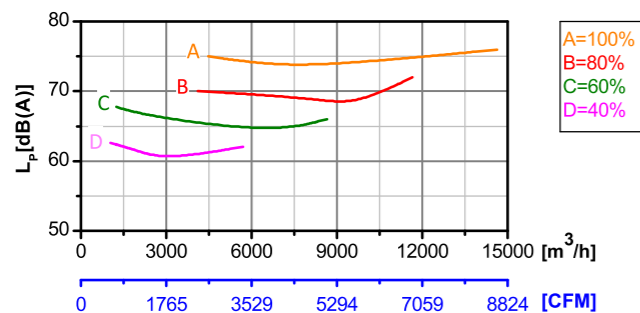
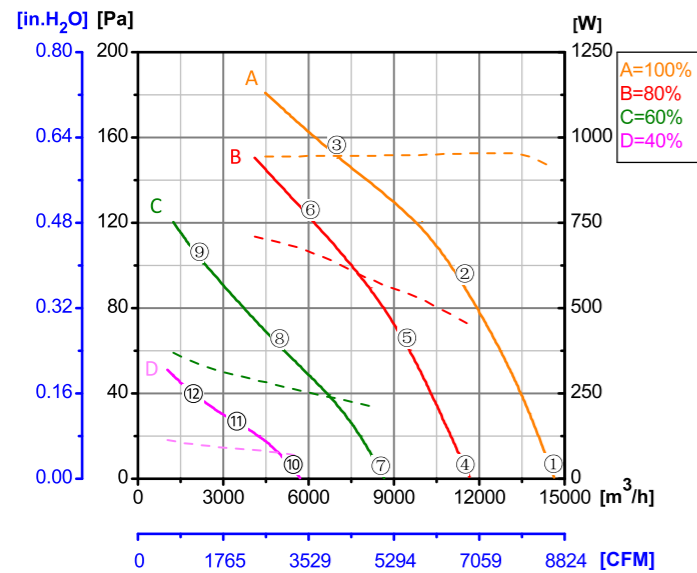
ErP2015  
EXCEEDS THE NORM



Φ 630 (3-phase)

转子材质 Rotor Material: 碳钢 Carbon steel  
风叶材质 Blade Material: 碳钢 Carbon steel  
防护等级 Ingress Protection: IP54  
绝缘等级 Insulation Class: F  
轴承类型 Bearing Type: 免维护滚珠轴承  
Maintenance free ball bearing

性能曲线 Performance Curves

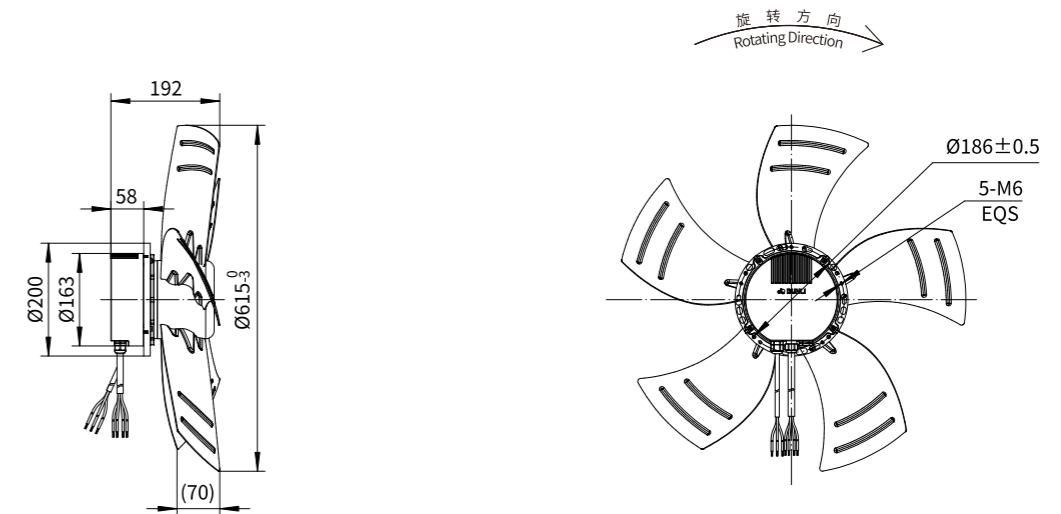


测试节点 Test Point	转速 Speed rpm	输入功率 Input Power W
1	1294	907
2	1256	953
3	1162	950
4	1035	451
5	1037	541
6	1036	670
7	779	197
8	777	271
9	776	325
10	517	68
11	522	83
12	520	100

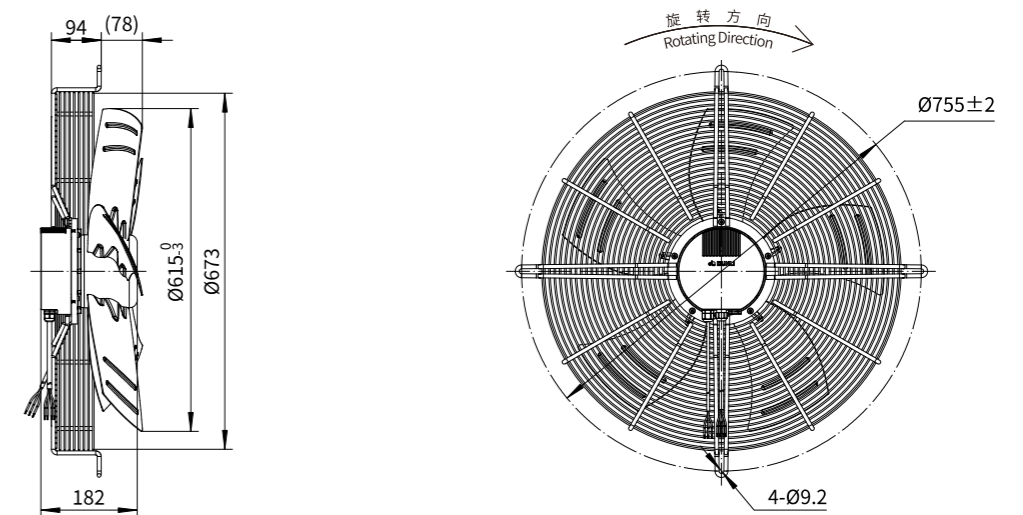
Erp2015 Data:  
Efficiency  $\eta_{statA}$  = 38.4%  
Efficiency grade  $N_{actual}$  = 44.9,  $N_{target}$  = 40  
Test report No. : L-20210302-004-057

产品型号 Model No.	电压 Voltage VAC	频率 Frequency Hz	转速 Speed RPM	输入功率 Input Power W	电流 Current A	运行温度 Working Temp. Min/Max (°C)	认证 Approvals
EC137-A630-KA1	3~380/400	50/60	1250	1000	1.81	-20/+60	CCC, CE, UL

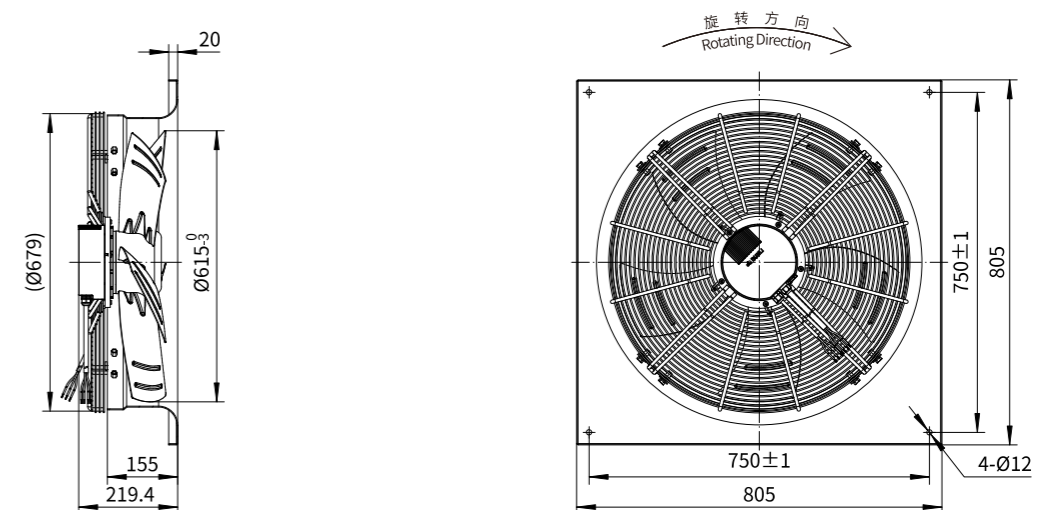
风机本体 Type A



D 型网罩 Type D

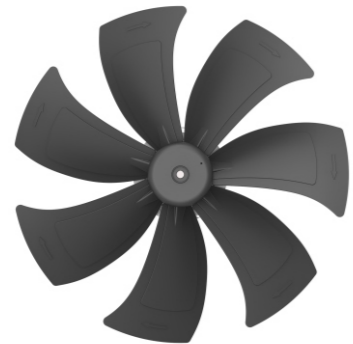


F 型面板 Type F



EC 常规金属叶片轴流风机  
EC Conventional Carbon Steel Blade Axial Fan

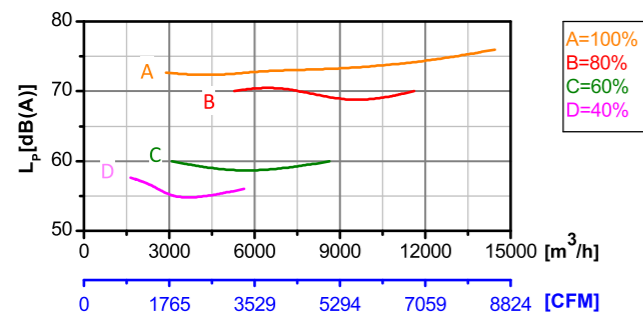
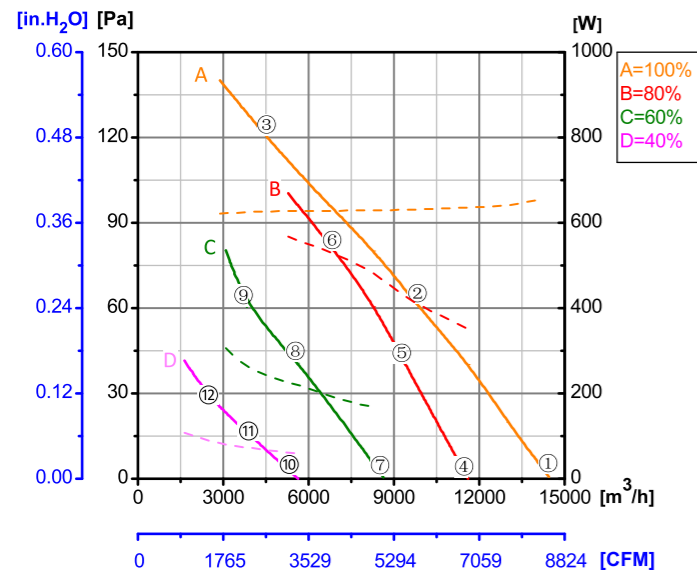
ErP2015  
EXCEEDS THE NORM



Φ 710

转子材质 Rotor Material: 碳钢 Carbon steel  
风叶材质 Blade Material: 碳钢 Carbon steel  
防护等级 Ingress Protection: IP54  
绝缘等级 Insulation Class: F  
轴承类型 Bearing Type: 免维护滚珠轴承  
Maintenance free ball bearing

性能曲线 Performance Curves

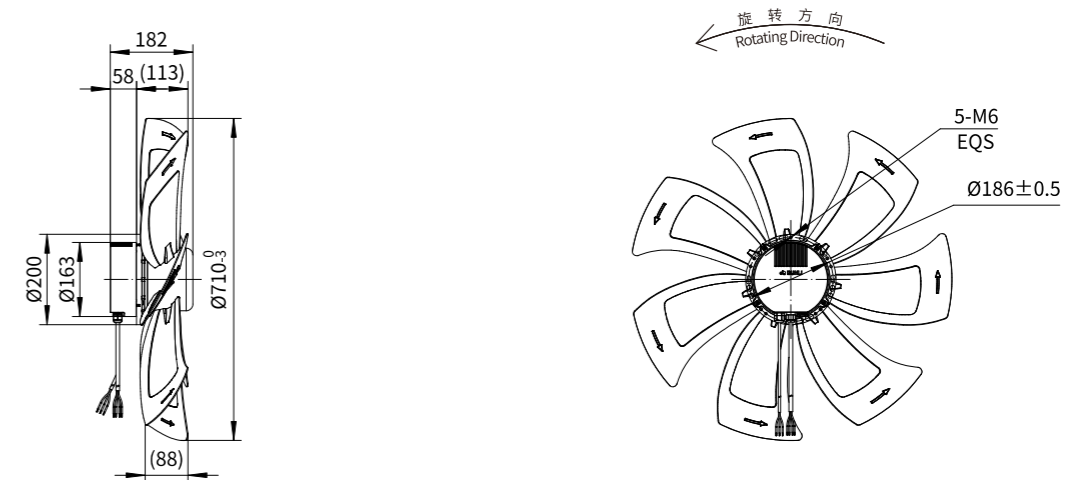


测试节点 Test Point	转速 Speed rpm	输入功率 Input Power W
1	929	660
2	828	631
3	726	629
4	744	351
5	747	422
6	747	525
7	558	162
8	561	221
9	560	254
10	374	59
11	374	77
12	376	89

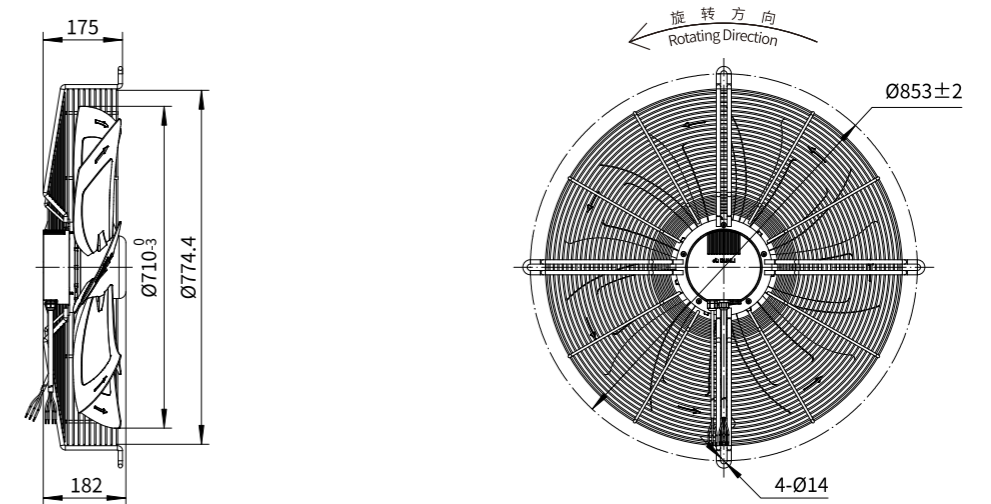
Erp2015 Data:  
Efficiency  $\eta_{statA}=32.4\%$   
Efficiency grade  $N_{actual}=40, N_{target}=40$   
Test report No. : L-20210302-004-060

产品型号 Model No.	电压 Voltage VAC	频率 Frequency Hz	转速 Speed RPM	输入功率 Input Power W	电流 Current A	运行温度 Working Temp. Min/Max (°C)	认证 Approvals
EC137-A710-005	1~220/230	50/60	900	700	4.15	-20/+60	CCC,CE

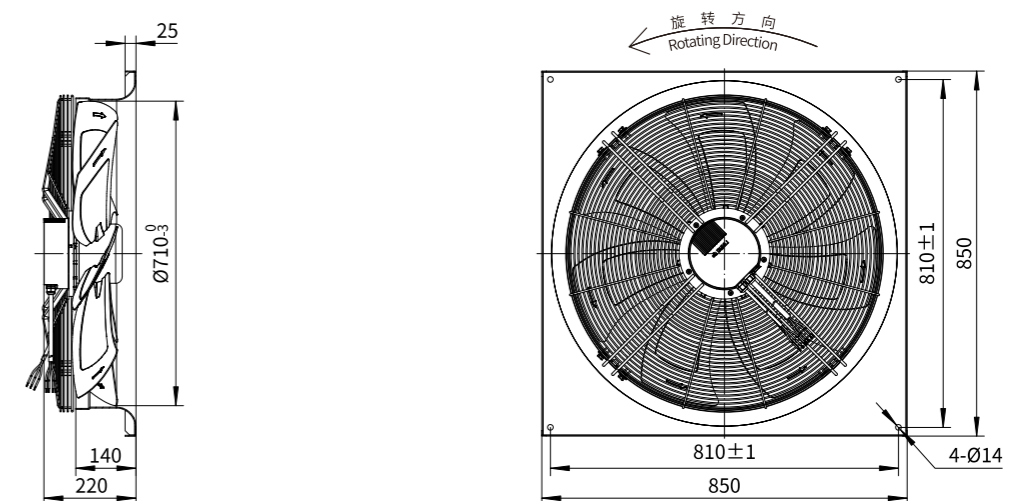
风机本体 Type A



D 型网罩 Type D



F 型面板 Type F



常规金属叶片轴流风机  
Conventional Carbon Steel Blade Axial Fan

EC 常规金属叶片轴流风机  
EC Conventional Carbon Steel Blade Axial Fan

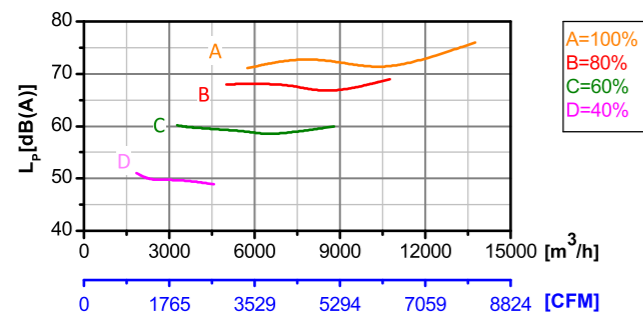
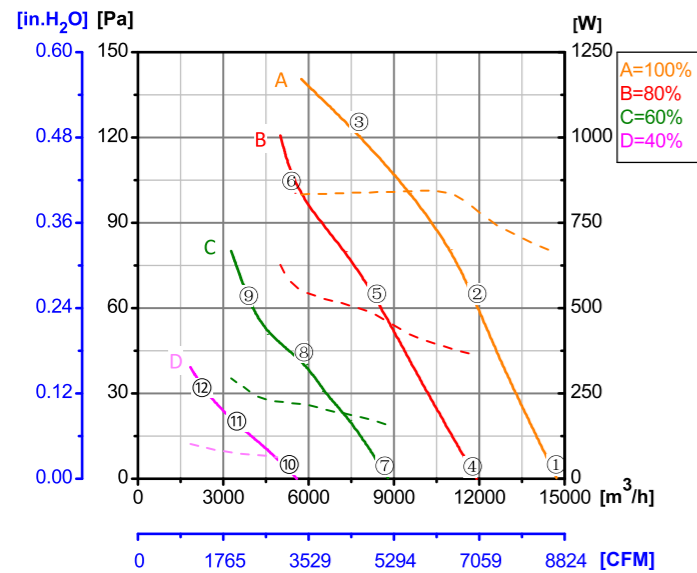
ErP2015  
EXCEEDS THE NORM



Φ 710 (3-phase)

转子材质 Rotor Material: 碳钢 Carbon steel  
风叶材质 Blade Material: 碳钢 Carbon steel  
防护等级 Ingress Protection: IP54  
绝缘等级 Insulation Class: F  
轴承类型 Bearing Type: 免维护滚珠轴承  
Maintenance free ball bearing

性能曲线 Performance Curves

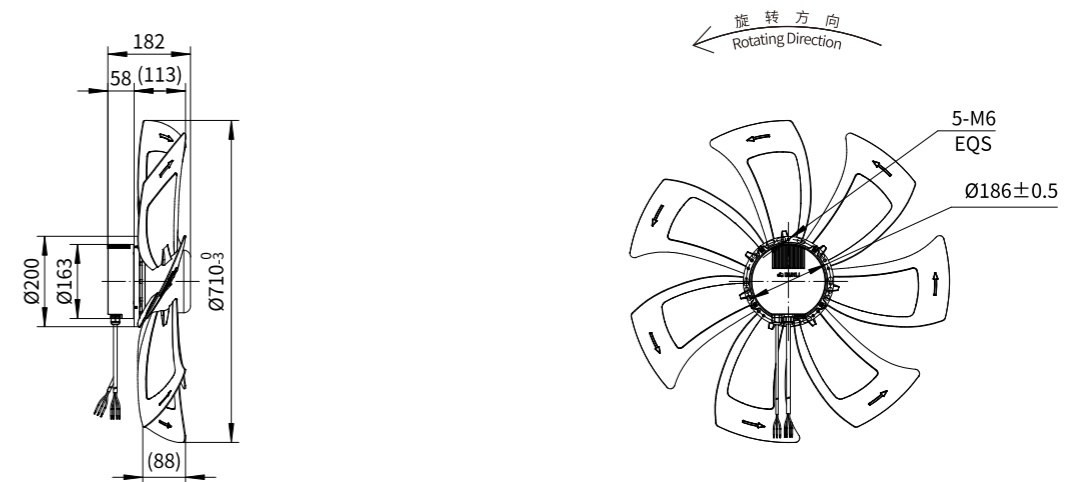


测试节点 Test Point	转速 Speed rpm	输入功率 Input Power W
1	945	660
2	940	781
3	892	839
4	760	359
5	759	475
6	760	541
7	567	157
8	569	221
9	569	249
10	380	60
11	379	77
12	379	90

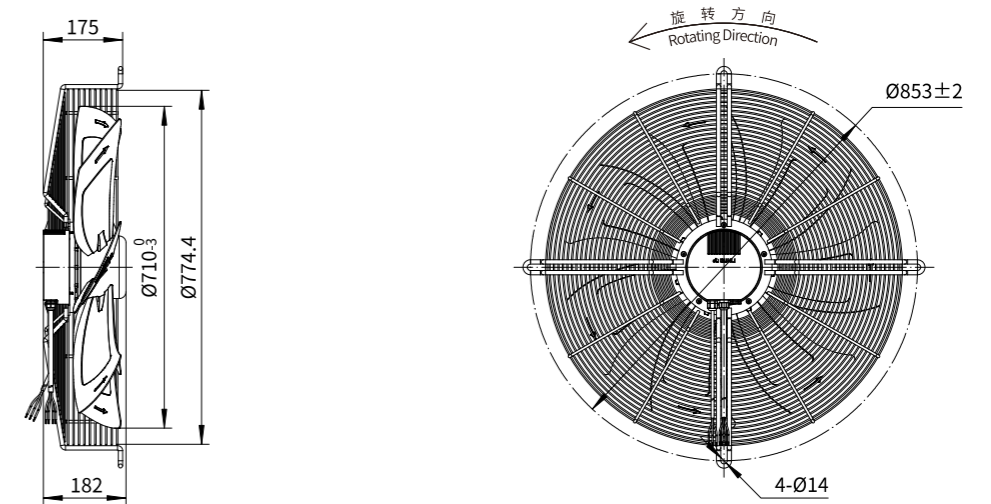
Erp2015 Data:  
Efficiency  $\eta_{statA}=34.8\%$   
Efficiency grade  $N_{actual}=41.6, N_{target}=40$   
Test report No. : L-20210302-004-059

产品型号 Model No.	电压 Voltage VAC	频率 Frequency Hz	转速 Speed RPM	输入功率 Input Power W	电流 Current A	运行温度 Working Temp. Min/Max (°C)	认证 Approvals
EC137-A710-KA1	3~380/400	50/60	930	700	1.20	-20/+60	CCC,CE,UL

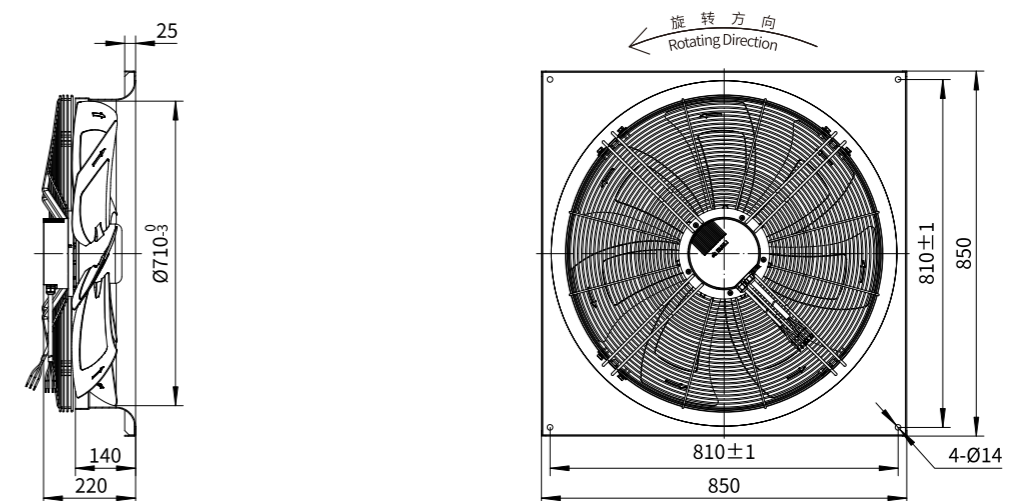
风机本体 Type A



D 型网罩 Type D



F 型面板 Type F



EC 子午加速轴流风机  
X-ACCEL

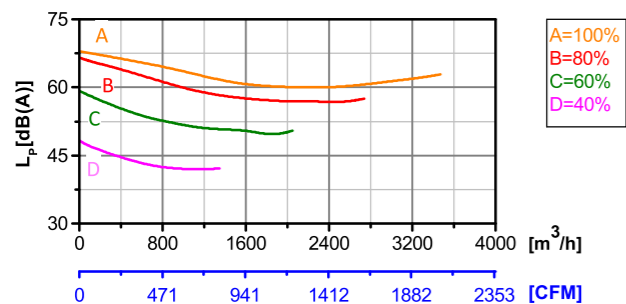
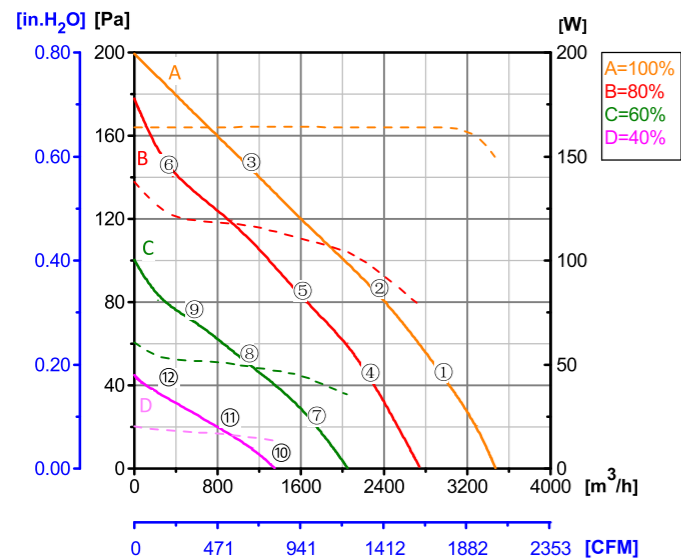
ErP2015  
EXCEEDS THE NORM



Φ 350

转子材质 Rotor Material: 碳钢 Carbon steel  
 风叶材质 Blade Material: 塑料 Plastic  
 防护等级 Ingress Protection: IP 54  
 绝缘等级 Insulation Class: F  
 轴承类型 Bearing Type: 免维护滚珠球轴承  
 Maintenance free ball bearing

性能曲线 Performance Curves

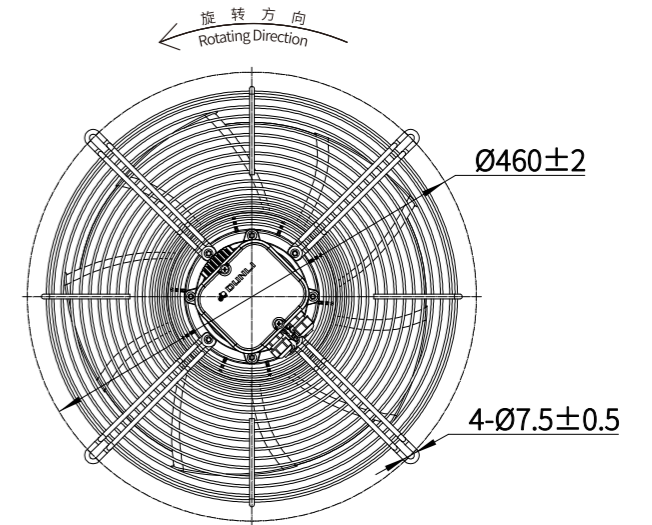
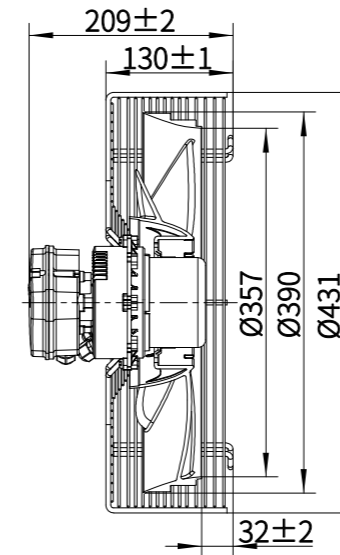


测试节点 Test Point	转速 Speed rpm	输入功率 Input Power W
1	1511	164
2	1440	163
3	1381	164
4	1234	96
5	1235	109
6	1236	119
7	925	41
8	926	51
9	926	51
10	618	13
11	618	16
12	619	19

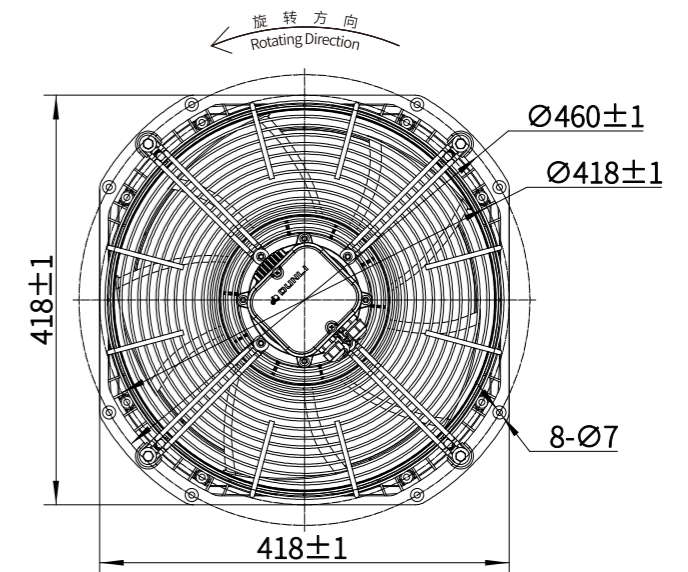
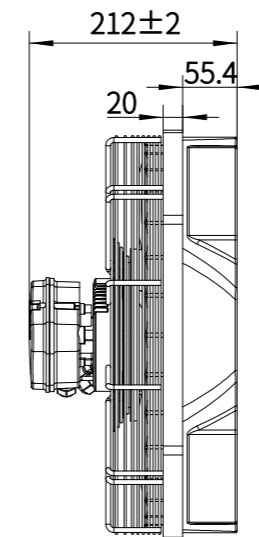
Erp2015 Data:  
 Efficiency  $\eta_{statA}=41.39\%$   
 Efficiency grade  $N_{actual}=52.7, N_{target}=40$   
 Test report No. : L-20221124-008-A

产品型号 Model No.	电压 Voltage	频率 Frequency	转速 Speed	输入功率 Input Power	电流 Current	运行温度 Working Temp.	认证 Approvals
	VDC	Hz	RPM	W	A	Min/Max (°C)	
EC92-A350-B01	1~230	50/60	1550	140	1.03	-25/+60	CCC,CE,UKCA

D 型网罩 Type D



带导流圈 With inlet ring





EC 子午加速轴流风机  
X-ACCEL

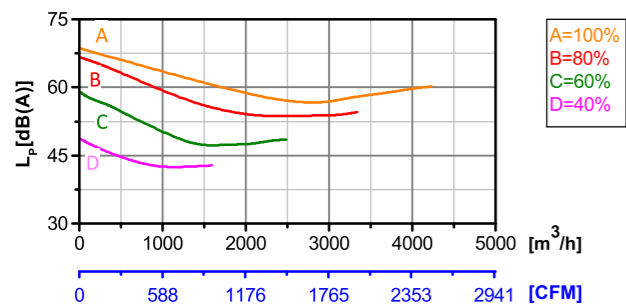
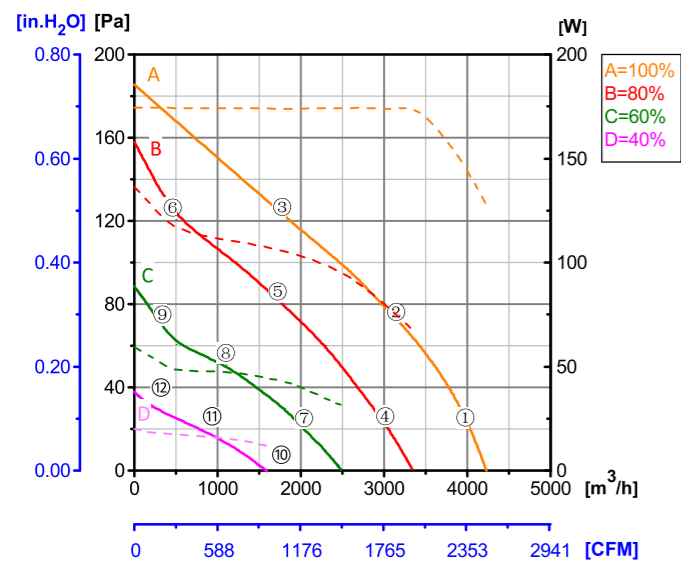
ErP2015  
EXCEEDS THE NORM



Φ 400

转子材质 Rotor Material: 碳钢 Carbon steel  
风叶材质 Blade Material: 塑料 Plastic  
防护等级 Ingress Protection: IP 54  
绝缘等级 Insulation Class: F  
轴承类型 Bearing Type: 免维护滚珠球轴承  
Maintenance free ball bearing

性能曲线 Performance Curves

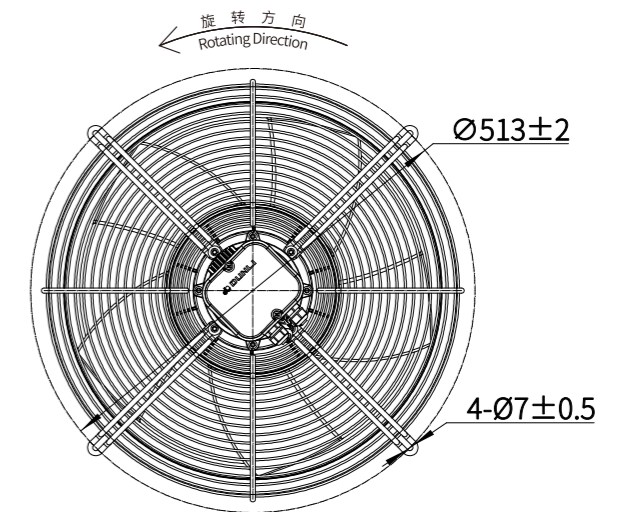
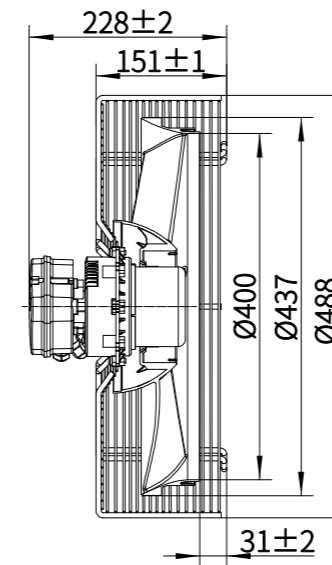


测试节点 Test Point	转速 Speed rpm	输入功率 Input Power W
1	1369	141
2	1342	174
3	1277	173
4	1093	78
5	1093	105
6	1093	114
7	823	39
8	823	47
9	823	51
10	550	12
11	551	16
12	551	17

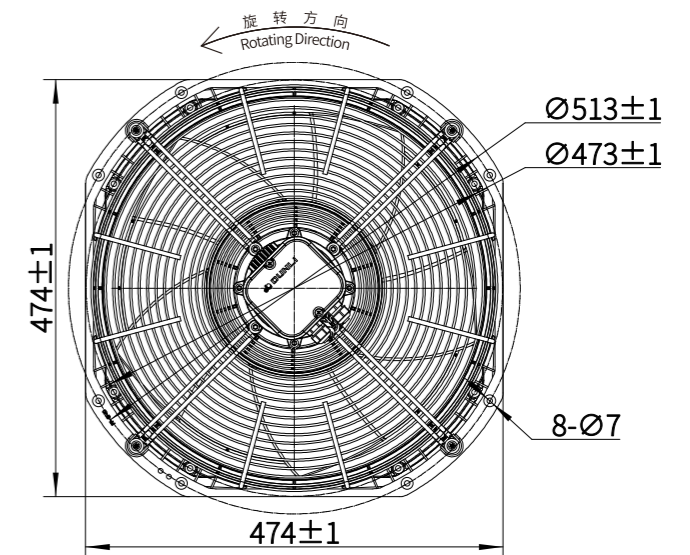
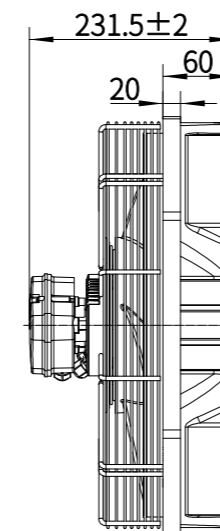
Erp2015 Data:  
Efficiency  $\eta_{statA}=46.2\%$   
Efficiency grade  $N_{actual}=57.4, N_{target}=40$   
Test report No. : L-20230912-003-A

产品型号 Model No.	电压 Voltage	频率 Frequency	转速 Speed	输入功率 Input Power	电流 Current	运行温度 Working Temp.	认证 Approvals
	VDC	Hz	RPM	W	A	Min/Max (°C)	
EC92-A400-B01	1~230	50/60	1370	130	0.95	-25/+60	CCC,CE,UKCA

D 型网罩 Type D

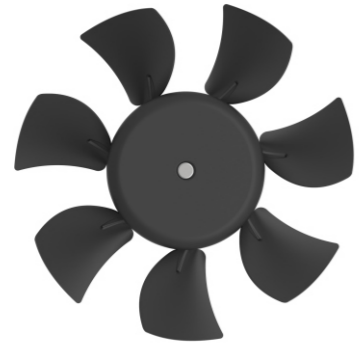


带导流圈 With inlet ring



DC 常规金属叶片轴流风机  
DC Conventional Carbon Steel Blade Axial Fan

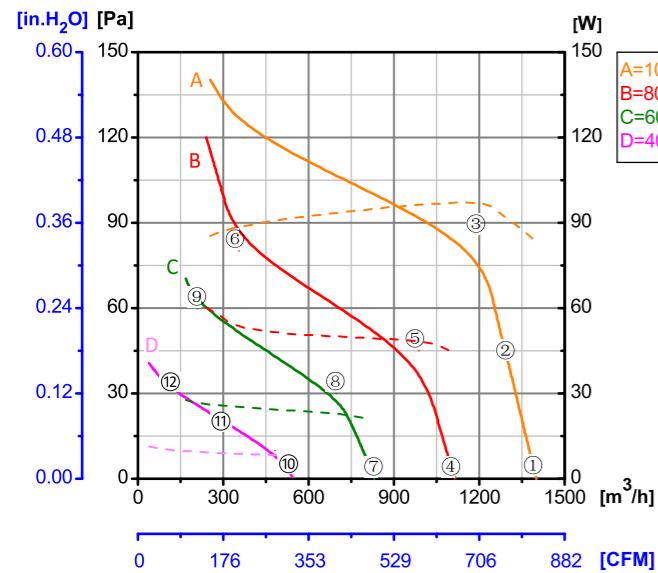
ErP2015  
EXCEEDS THE NORM



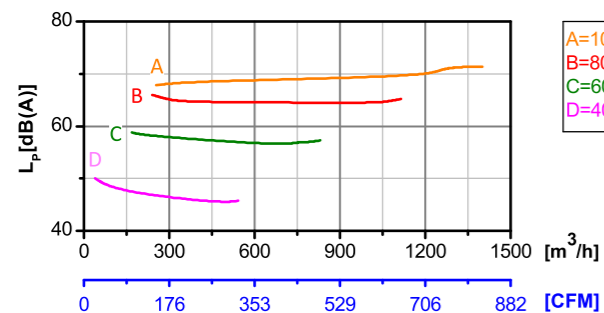
Φ 200

转子材质 Rotor Material: 碳钢 Carbon steel  
风叶材质 Blade Material: 碳钢 Carbon steel  
防护等级 Ingress Protection: IP42  
绝缘等级 Insulation Class: F  
轴承类型 Bearing Type: 免维护滚珠轴承  
Maintenance free ball bearing

性能曲线 Performance Curves



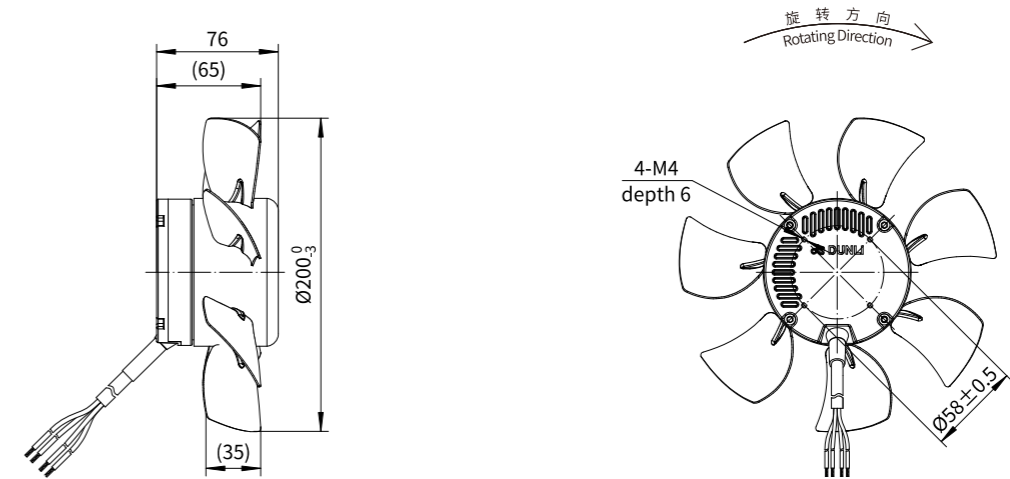
测试节点 Test Point	转速 Speed rpm	输入功率 Input Power W
1	3193	83
2	3193	90
3	3171	98
4	2555	44
5	2551	49
6	2546	51
7	1917	21
8	1917	23
9	1913	26
10	1279	8
11	1278	9
12	1278	11



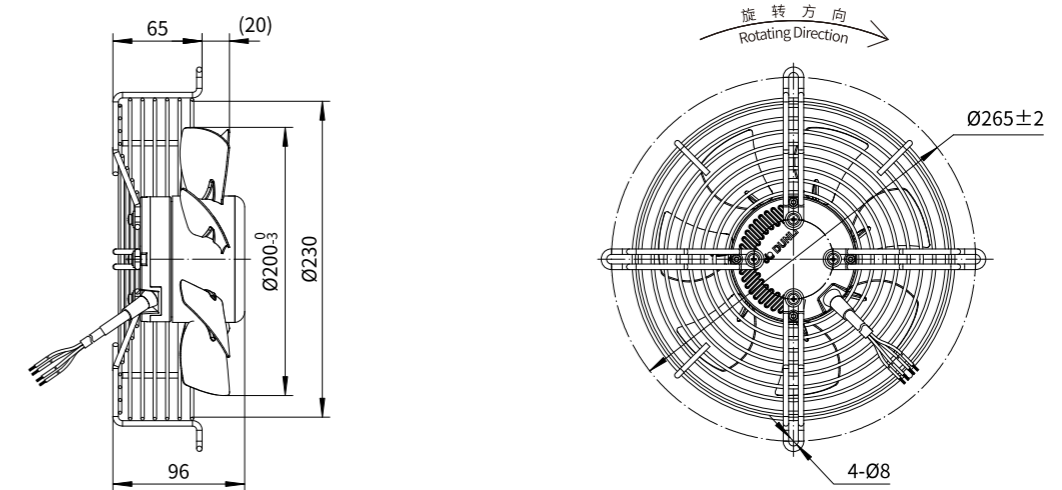
Erp2015 Data:  
Efficiency  $\eta_{statA} = 30.7\%$ ,  $\leq 125W$   
Efficiency grade  $N_{actual} = *$ ,  $N_{target} = 40$   
Test report No. : L-20210302-004-073

产品型号 Model No.	电压 Voltage	频率 Frequency	转速 Speed	输入功率 Input Power	电流 Current	运行温度 Working Temp.	认证 Approvals
	VDC	Hz	RPM	W	A	Min/Max (°C)	
DC92-A200-040	24	/	3100	95	3.96	-20/+60	CE
DC92-A200-C40	48	/	3100	95	1.98	-20/+60	CCC,CE
DC92-A200-D40	310	/	3100	95	0.31	-20/+60	CCC,CE

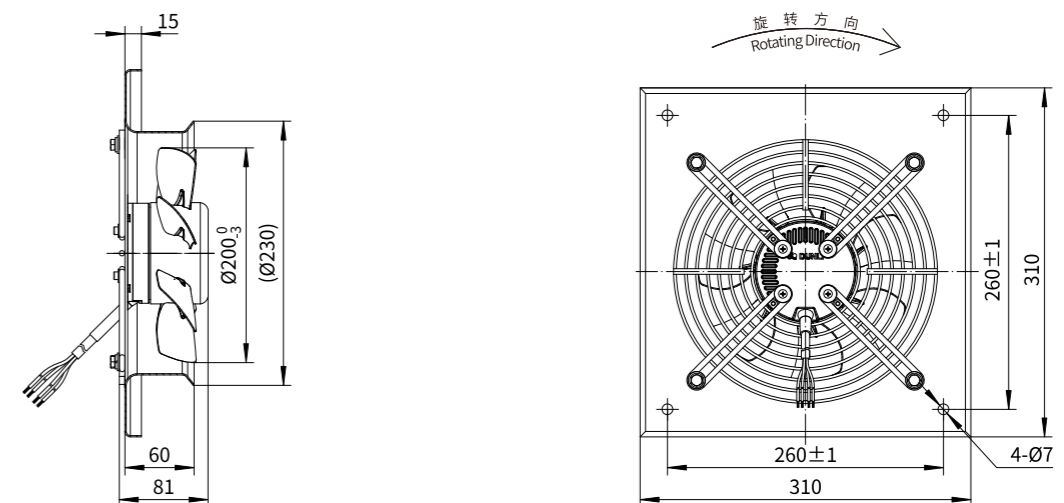
风机本体 Type A



D 型网罩 Type D

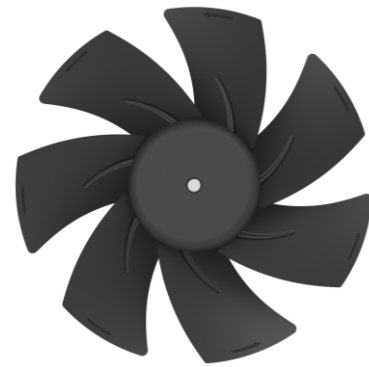


F 型面板 Type F



DC 常规金属叶片轴流风机  
DC Conventional Carbon Steel Blade Axial Fan

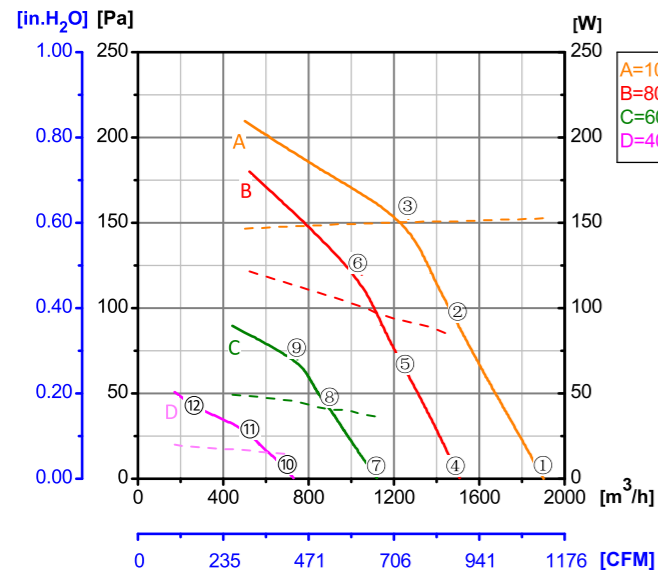
ErP2015  
EXCEEDS THE NORM



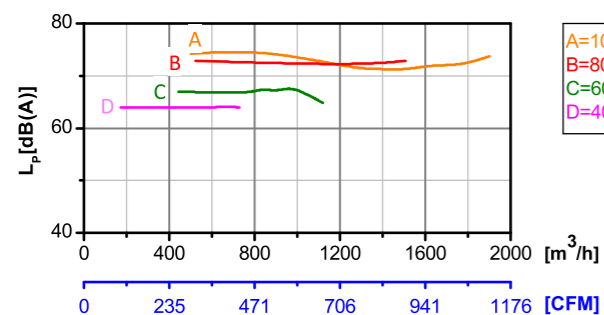
Φ 250

转子材质 Rotor Material: 碳钢 Carbon steel  
风叶材质 Blade Material: 碳钢 Carbon steel  
防护等级 Ingress Protection: IP42  
绝缘等级 Insulation Class: F  
轴承类型 Bearing Type: 免维护滚珠轴承  
Maintenance free ball bearing

性能曲线 Performance Curves



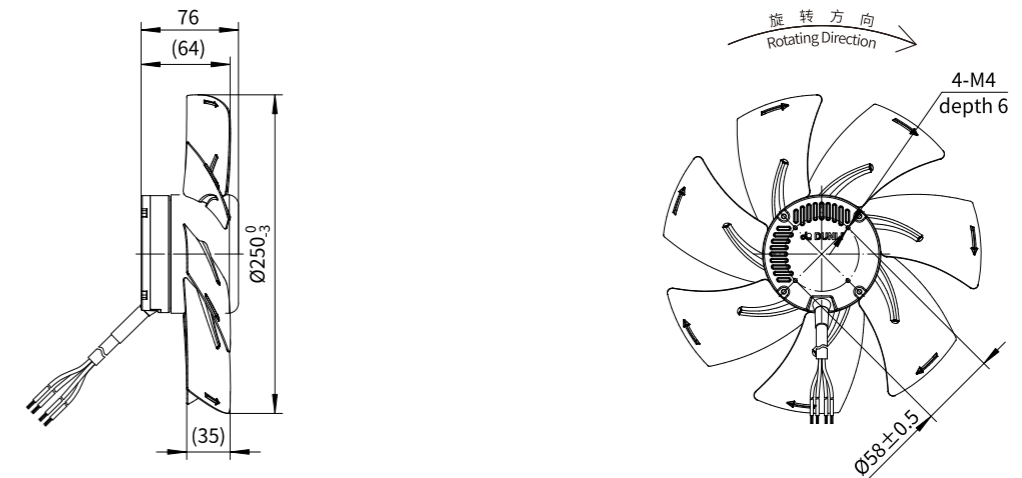
测试节点 Test Point	转速 Speed rpm	输入功率 Input Power W
1	2788	127
2	2794	122
3	2687	124
4	2234	66
5	2234	67
6	2232	70
7	1673	29
8	1673	30
9	1677	46
10	1113	10
11	1114	10
12	1112	15



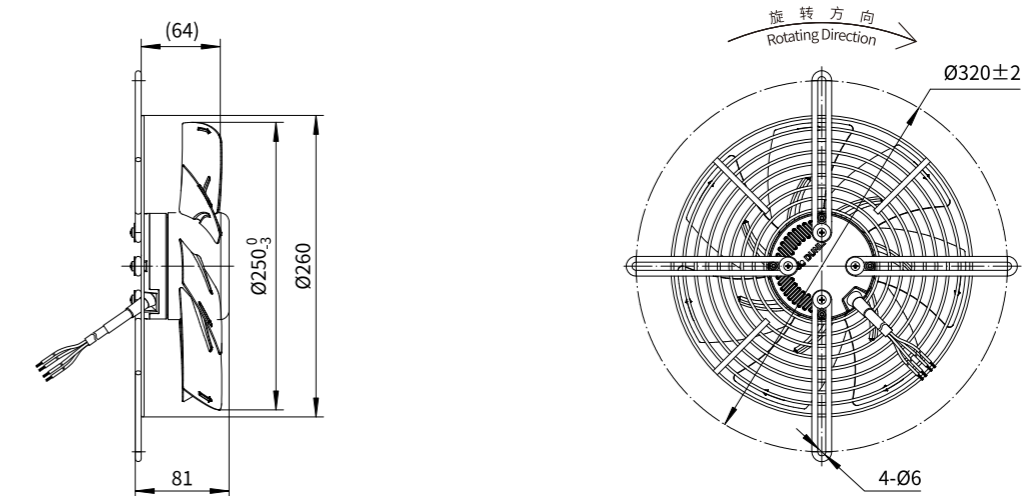
Erp2015 Data:  
Efficiency  $\eta_{statA}$  = 28.6%  
Efficiency grade  $N_{actual}$  = 40.6,  $N_{target}$  = 40  
Test report No. : L-20210302-004-022

产品型号 Model No.	电压 Voltage	频率 Frequency	转速 Speed	输入功率 Input Power	电流 Current	运行温度 Working Temp.	认证 Approvals
	VDC	Hz	RPM	W	A	Min/Max (°C)	
DC92-A250-041	24	/	2780	125	5.21	-20/+60	CE
DC92-A250-C41	48	/	2780	125	2.61	-20/+60	CCC,CE
DC92-A250-D41	310	/	2780	125	0.41	-20/+60	CCC,CE

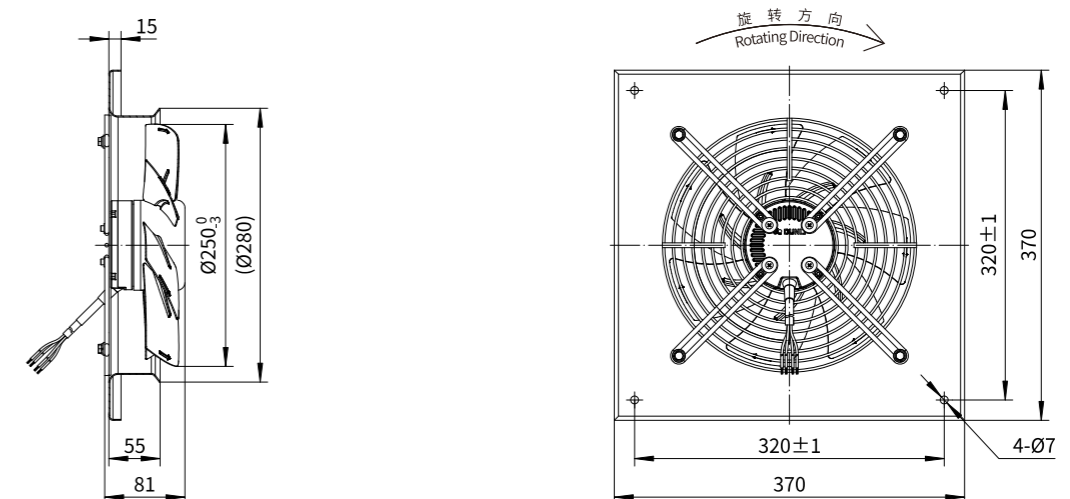
风机本体 Type A



B 型网罩 Type B

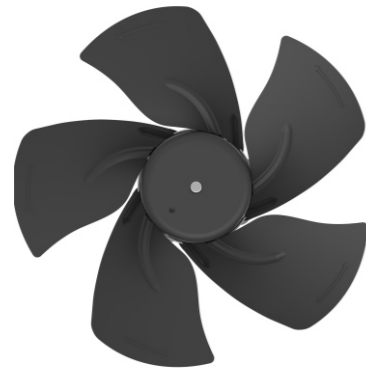


F 型面板 Type F



DC 常规金属叶片轴流风机  
DC Conventional Carbon Steel Blade Axial Fan

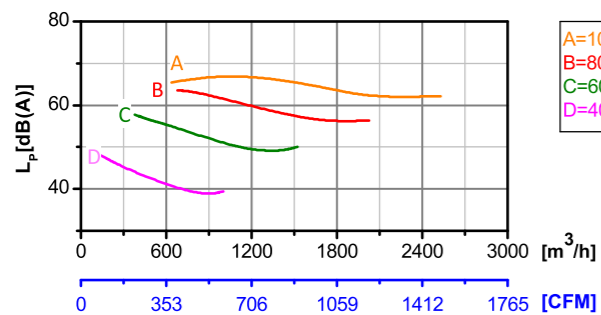
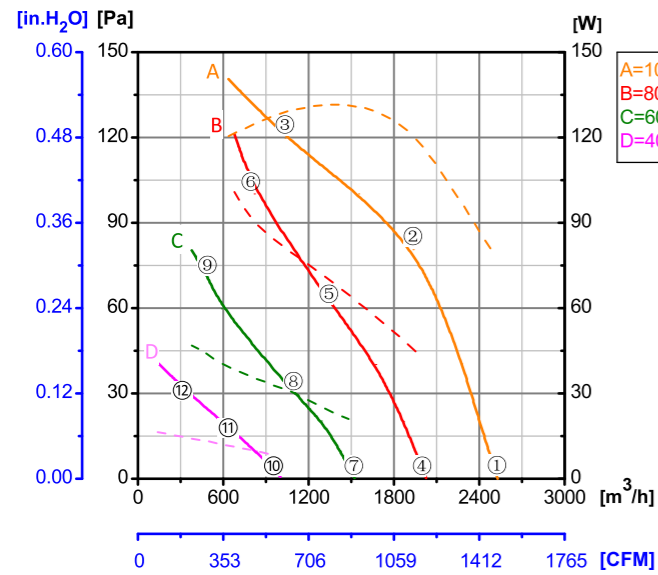
ErP2015  
EXCEEDS THE NORM



Φ 300

转子材质 Rotor Material: 碳钢 Carbon steel  
风叶材质 Blade Material: 碳钢 Carbon steel  
防护等级 Ingress Protection: IP42  
绝缘等级 Insulation Class: F  
轴承类型 Bearing Type: 免维护滚珠轴承  
Maintenance free ball bearing

性能曲线 Performance Curves



测试节点 Test Point	转速 Speed rpm	输入功率 Input Power W
1	1947	77
2	1943	123
3	1801	130
4	1557	42
5	1552	70
6	1547	88
7	1168	21
8	1168	31
9	1166	44
10	779	8
11	778	12
12	778	17

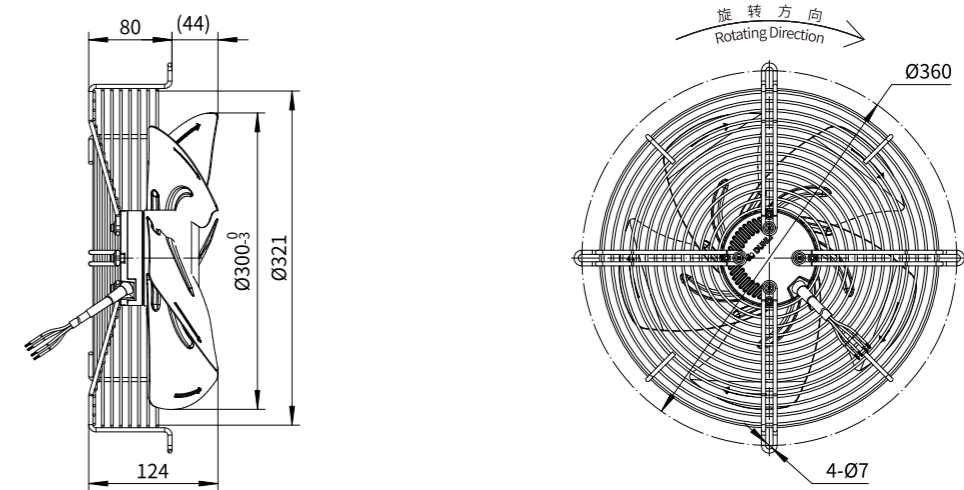
Erp2015 Data:  
Efficiency  $\eta_{statA}=40.7\%$   
Efficiency grade  $N_{actual}=52.8, N_{target}=40$   
Test report No. : L-20210302-004-023

产品型号 Model No.	电压 Voltage	频率 Frequency	转速 Speed	输入功率 Input Power	电流 Current	运行温度 Working Temp.	认证 Approvals
	VDC	Hz	RPM	W	A	Min/Max (°C)	
DC92-A300-039	24	/	1950	120	5.00	-20/+60	CE
DC92-A300-C39	48	/	1950	120	2.50	-20/+60	CCC,CE
DC92-A300-D39	310	/	1950	120	0.39	-20/+60	CCC,CE

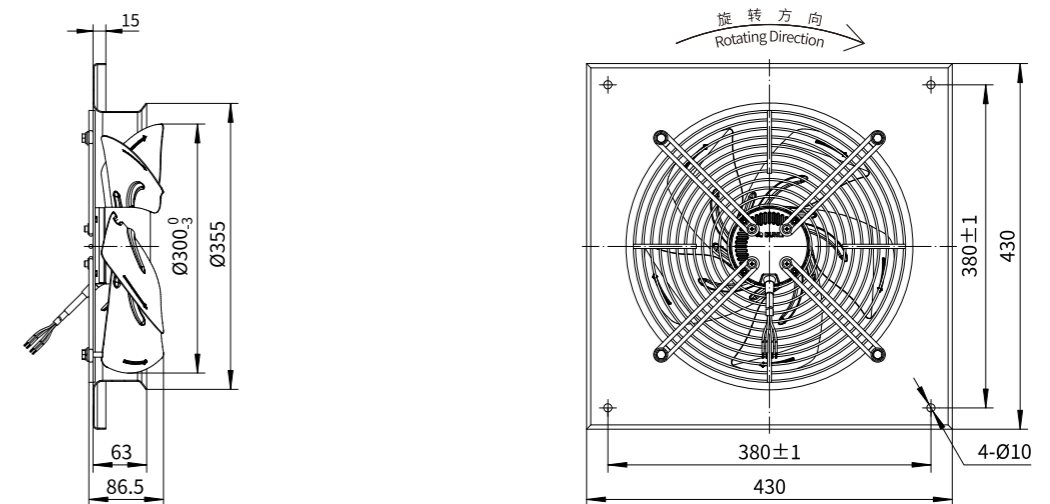
风机本体 Type A



D 型网罩 Type D



F 型面板 Type F



# 离心风机系列

Centrifugal Fan Series



## 离心风机型号命名

NOMENCLATURE OF CENTRIFUGAL FAN

电机系列: EC72、EC92、EC102、EC137、EC180  
DC72、DC92、DC102

Motor Serial Number: EC72, EC92, EC102, EC137, EC180  
DC72, DC92, DC102

风机类型: B-后倾离心, F-前倾离心, G-管道风机

Fan Type: B- Backward curved centrifugal fan

F- Forward curved centrifugal fan

G- Inline duct fan

风轮直径

Impeller Diameter

程序编号

Software Sequence Number

EC92 - B 220 - 031 064 - 007 - B - 001

叶片高度

Blade Height

叶片数量

Blade Quantity

配件: X-无配件, A-蜗壳, B-导流圈, C- 支架

Accessory:

X- Without accessory

A- With scroll housing

B- With inlet ring

C- With supporting rack

派生产品序号: 用数字001-999或字母+数字表示

Sequence Number of Derivative Product: Shown with one number in the range of 001-999 or combination of two letters plus two digits.



EC低静压后倾离心风机  
B-Flow

ErP2015  
III EXCEEDS THE NORM

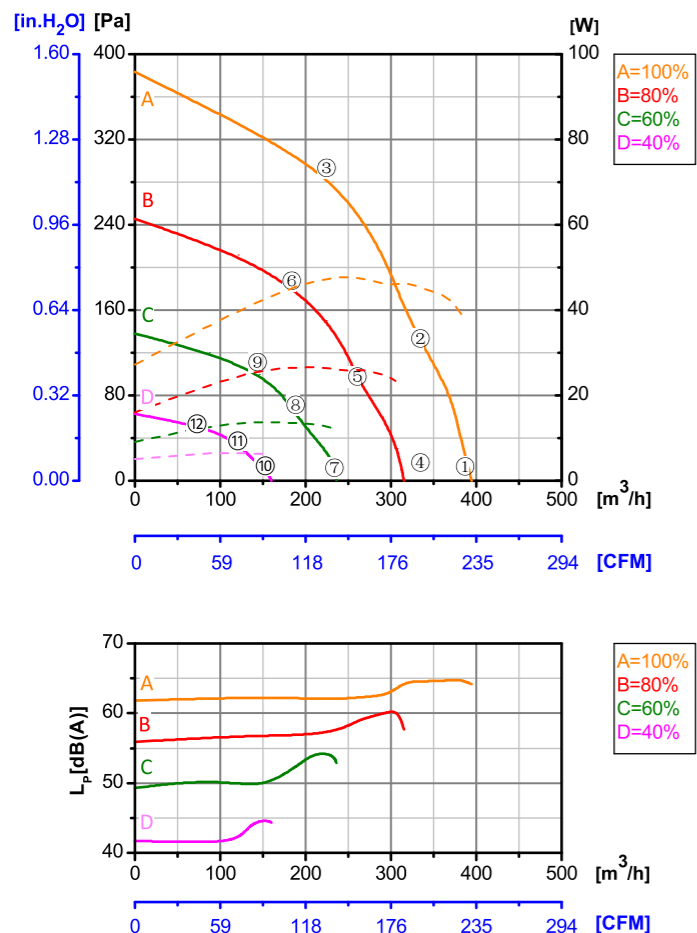
后倾离心风机 Motorized Backward Curved Impeller



Φ 133

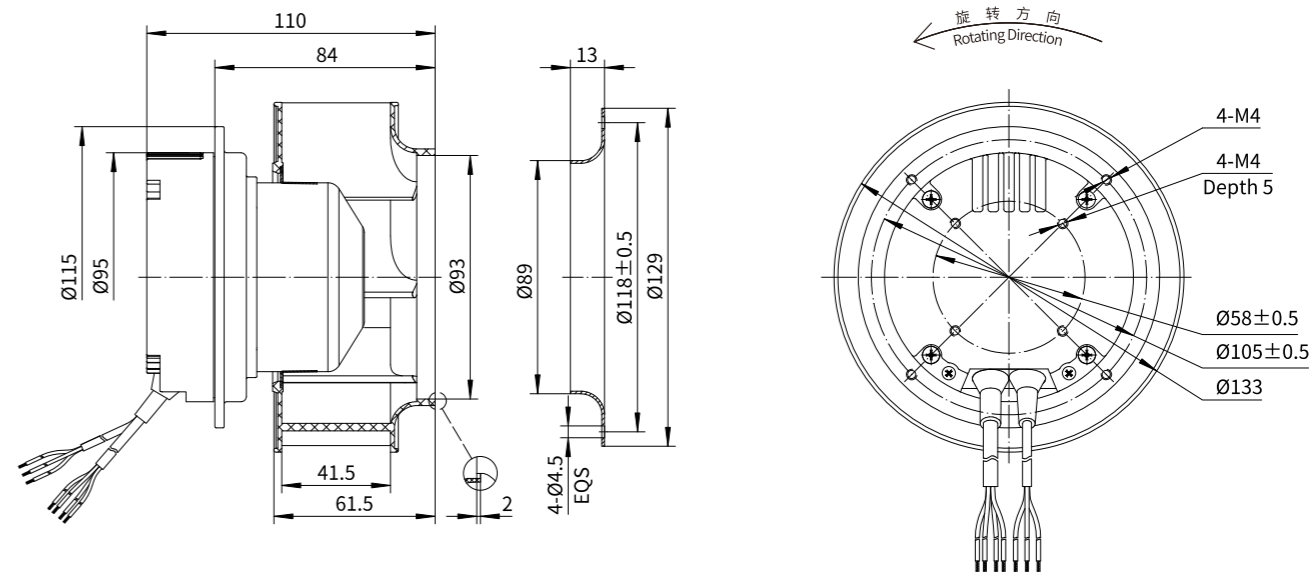
转子材质 Rotor Material: 碳钢 Carbon steel  
 叶轮材质 Impeller Material: 塑料 Plastic  
 防护等级 Ingress Protection: IP44  
 绝缘等级 Insulation Class: F  
 轴承类型 Bearing Type: 免维护滚珠球轴承  
 Maintenance free ball bearing

性能曲线 Performance Curves



测试节点 Test Point	转速 Speed rpm	输入功率 Input Power W
1	4478	36
2	4477	45
3	4479	48
4	3581	20
5	3592	26
6	3578	27
7	2673	12
8	2684	14
9	2685	14
10	1798	5
11	1789	6
12	1790	6

Erp2015 Data:  
 Efficiency  $\eta_{statA}=44.8\%$   
 Efficiency grade  $N_{actual}=69.2, N_{target}=62$   
 Test report No. : L-20210302 -005-001



产品型号 Model No.	电压 Voltage	频率 Frequency	转速 Speed	输入功率 Input Power	电流 Current	运行温度 Working Temp.	认证 Approvals
	VAC	Hz	RPM	W	A	Min/Max (°C)	
EC72-B133-002	1~220/230	50/60	4500	45	0.42	-20/+60	CCC,CE

EC低静压后倾离心风机  
B-Flow

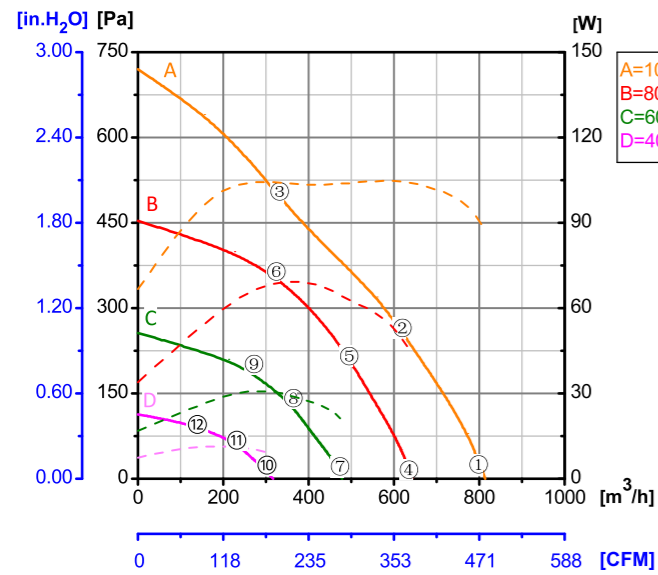
ErP2015  
EXCEEDS THE NORM



Φ 175

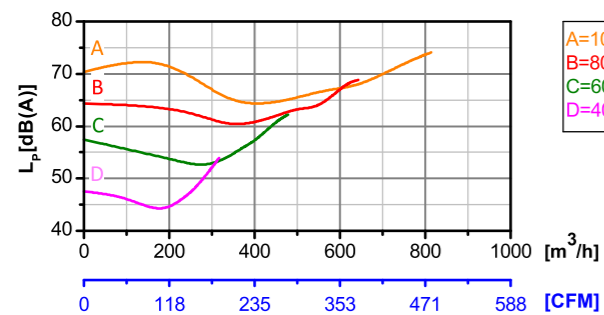
转子材质 Rotor Material: 碳钢 Carbon steel  
 叶轮材质 Impeller Material: 塑料 Plastic  
 防护等级 Ingress Protection: IP44  
 绝缘等级 Insulation Class: F  
 轴承类型 Bearing Type: 免维护滚珠球轴承  
 Maintenance free ball bearing

性能曲线 Performance Curves



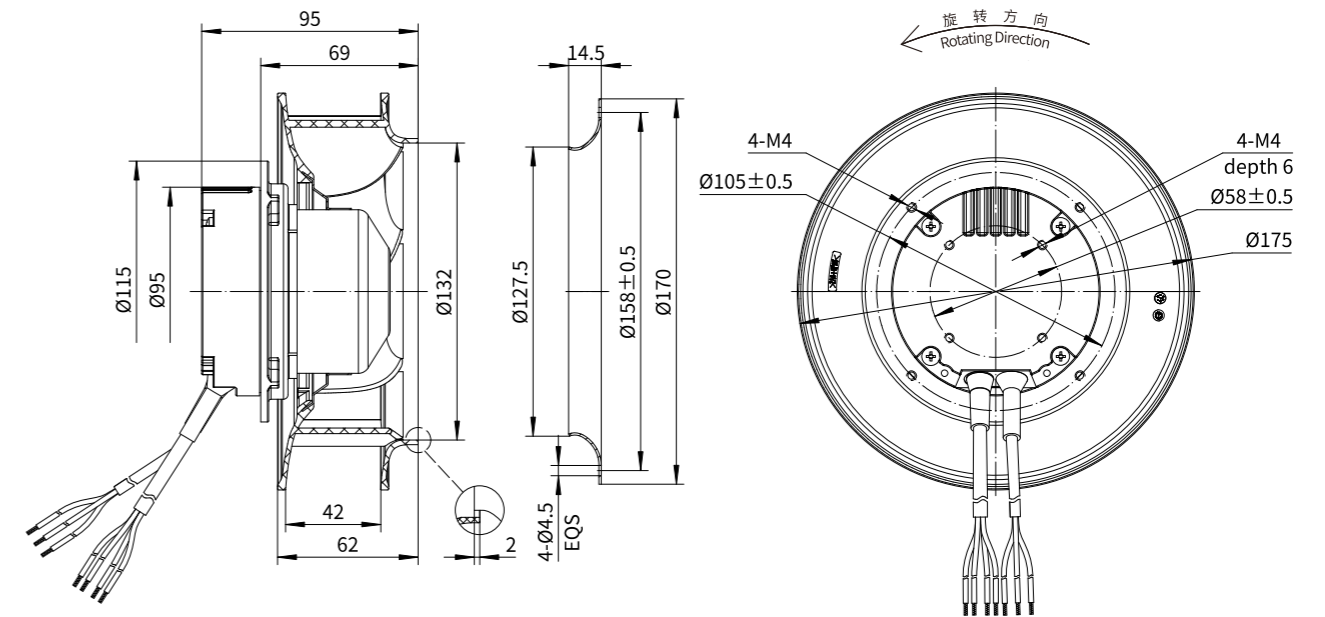
测试节点 Test Point	转速 Speed rpm	输入功率 Input Power W
1	4458	88
2	4269	105
3	4082	104
4	3563	43
5	3572	62
6	3568	70
7	2668	21
8	2682	29
9	2668	31
10	1773	9
11	1774	11
12	1774	11

Erp2015 Data:  
 Efficiency  $\eta_{statA}$ =56%  
 Efficiency grade  $N_{actual}$ =76.9,  $N_{target}$ =62  
 Test report No. : L-20210302 -005-002

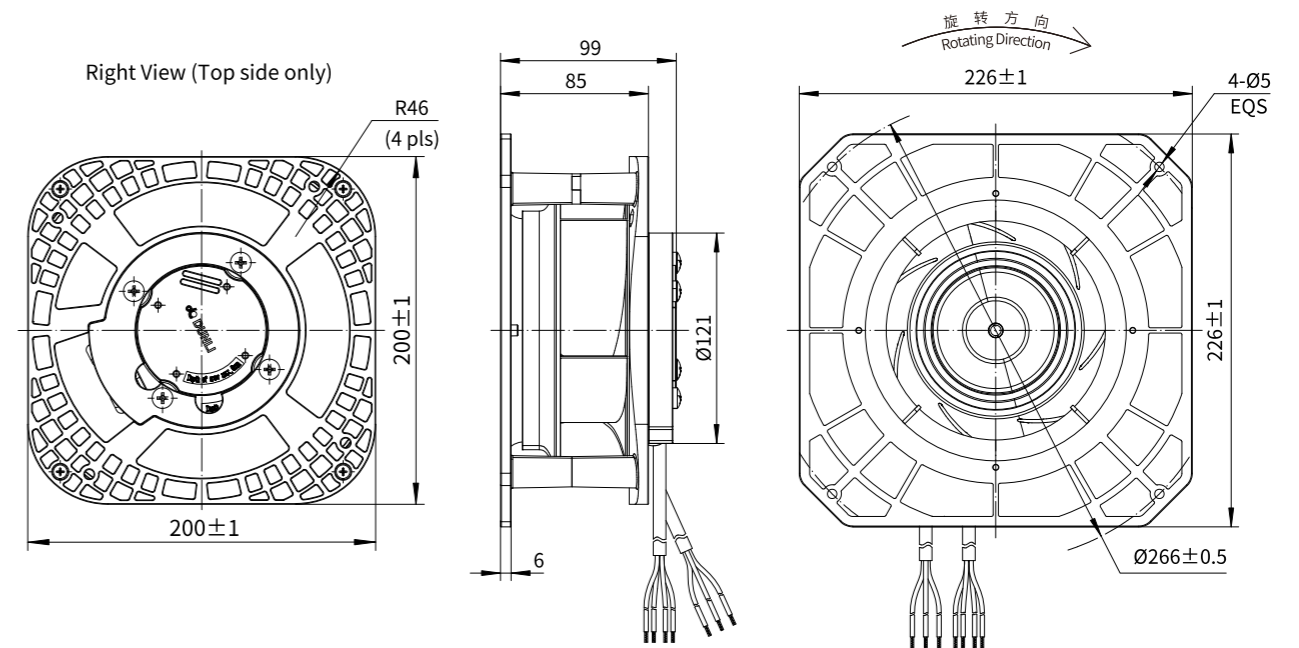


产品型号 Model No.	电压 Voltage	频率 Frequency	转速 Speed	输入功率 Input Power	电流 Current	运行温度 Working Temp.	认证 Approvals
	VAC	Hz	RPM	W	A	Min/Max (°C)	
EC72-B175-005	1~220/230	50/60	4500	90	0.62	-20/+60	CCC, CE

后倾离心风机 Motorized Backward Curved Impeller



带支架 With Supporting Rack



EC低静压后倾离心风机  
B-Flow

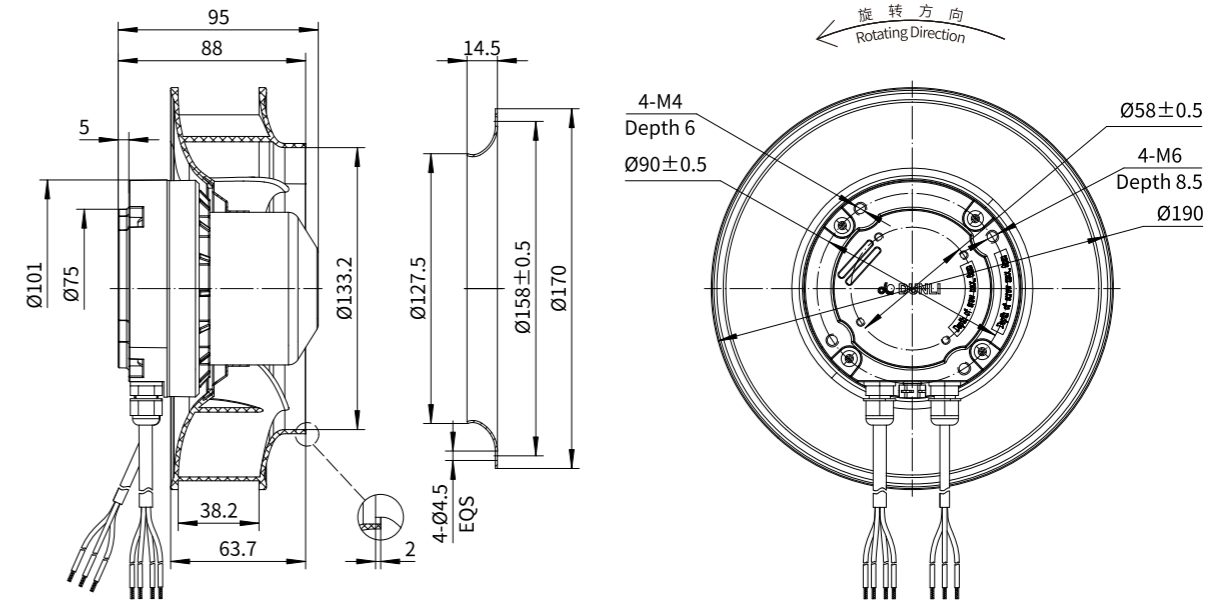
ErP2015  
EXCEEDS THE NORM

后倾离心风机 Motorized Backward Curved Impeller

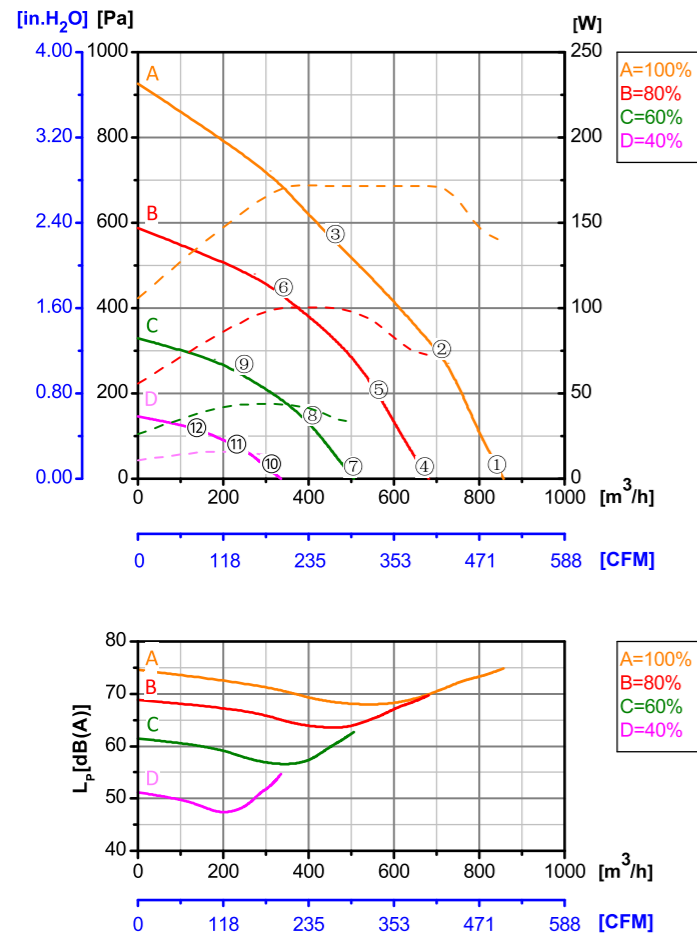


Φ 190

转子材质 Rotor Material: 碳钢 Carbon steel  
 叶轮材质 Impeller Material: 塑料 Plastic  
 防护等级 Ingress Protection: IP54  
 绝缘等级 Insulation Class: F  
 轴承类型 Bearing Type: 免维护滚珠球轴承  
 Maintenance free ball bearing



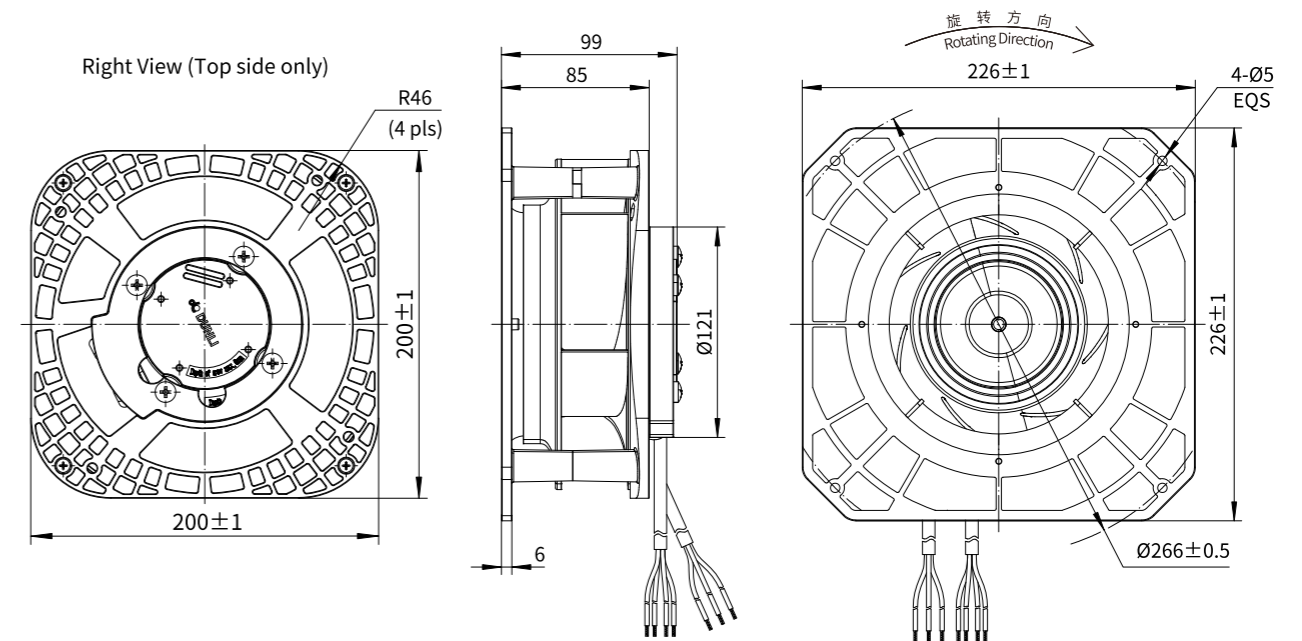
性能曲线 Performance Curves



测试节点 Test Point	转速 Speed rpm	输入功率 Input Power W
1	4503	139
2	4499	171
3	4267	171
4	3603	72
5	3604	88
6	3602	100
7	2703	33
8	2703	41
9	2702	44
10	1802	13
11	1806	14
12	1806	16

Erp2015 Data:  
 Efficiency  $\eta_{statA}=47.8\%$   
 Efficiency grade  $N_{actual}=66.3, N_{target}=62$   
 Test report No. : L-20210810-007-001

带支架 With Supporting Rack



产品型号 Model No.	电压 Voltage	频率 Frequency	转速 Speed	输入功率 Input Power	电流 Current	运行温度 Working Temp.	认证 Approvals
	VAC	Hz	RPM	W	A	Min/Max (°C)	
EC72-B190-B35	1~220/230	50/60	4400	160	1.20	-20/+60	CCC,CE



EC低静压后倾离心风机  
B-Flow

ErP2015  
EXCEEDS THE NORM

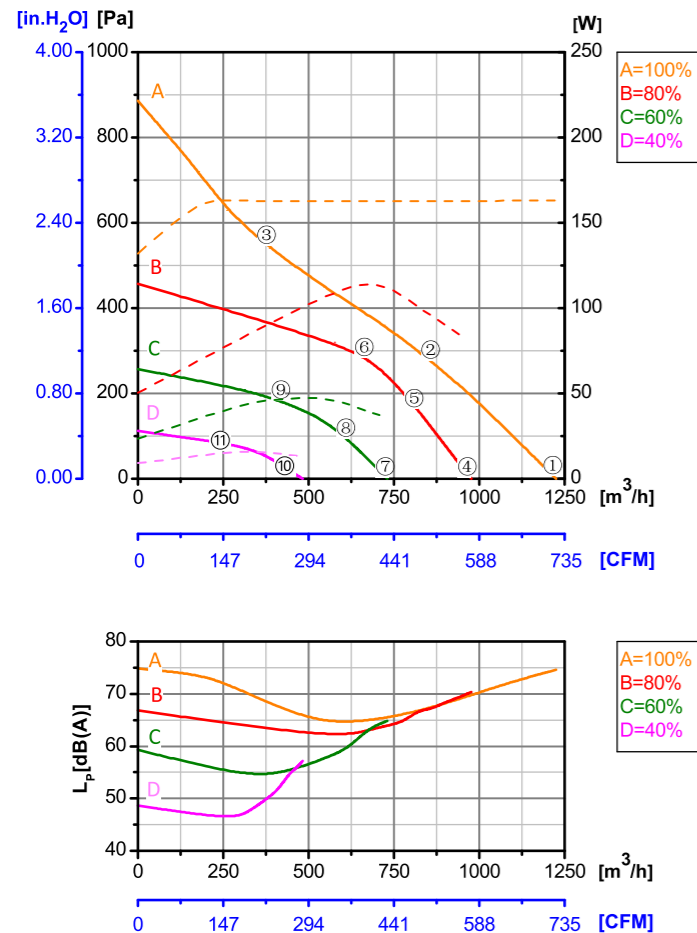
后倾离心风机 Motorized Backward Curved Impeller



Φ 220

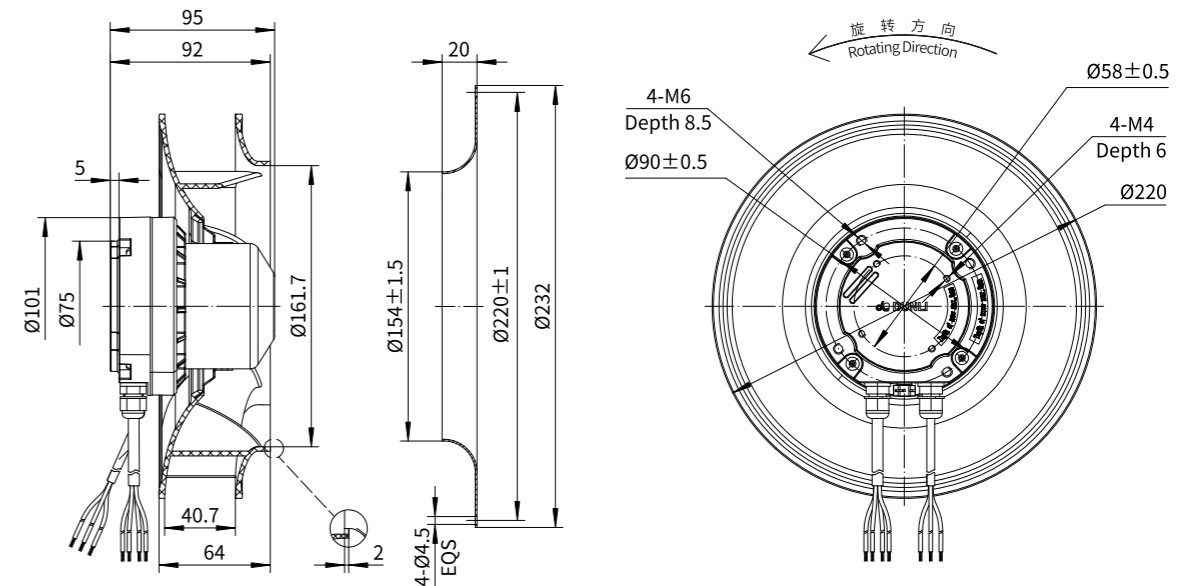
转子材质 Rotor Material: 碳钢 Carbon steel  
 叶轮材质 Impeller Material: 塑料 Plastic  
 防护等级 Ingress Protection: IP54  
 绝缘等级 Insulation Class: F  
 轴承类型 Bearing Type: 免维护滚珠球轴承  
 Maintenance free ball bearing

性能曲线 Performance Curves

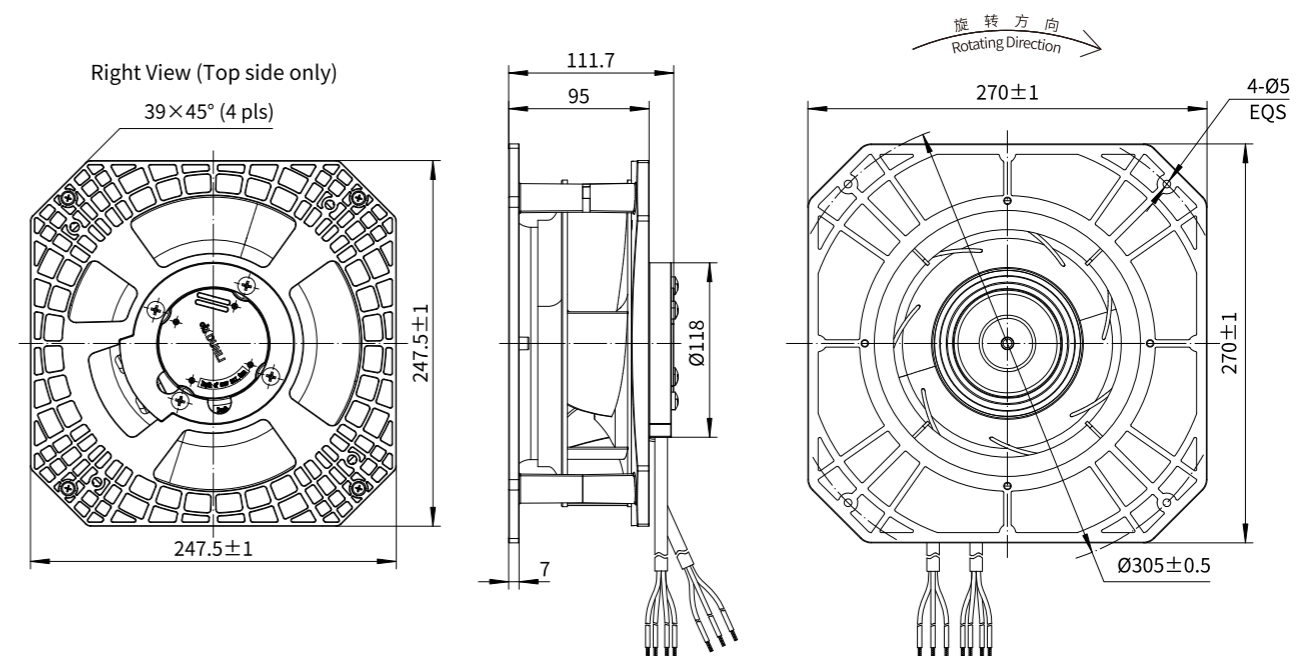


测试节点 Test Point	转速 Speed rpm	输入功率 Input Power W
1	3516	163
2	3172	163
3	3261	163
4	2812	82
5	2813	101
6	2812	115
7	2108	36
8	2112	44
9	2112	47
10	1403	13
11	1401	16
12	/	/

Erp2015 Data:  
 Efficiency  $\eta_{statA}$  = 50.8%  
 Efficiency grade  $N_{actual}$  = 69.6,  $N_{target}$  = 62  
 Test report No. : L-20210810-008-001



带支架 With Supporting Rack



产品型号 Model No.	电压 Voltage	频率 Frequency	转速 Speed	输入功率 Input Power	电流 Current	运行温度 Working Temp.	认证 Approvals
	VAC	Hz	RPM	W	A	Min/Max (°C)	
EC72-B220-B36	1~220/230	50/60	3500	165	1.20	-20/+60	CCC,CE

EC低静压后倾离心风机  
B-Flow

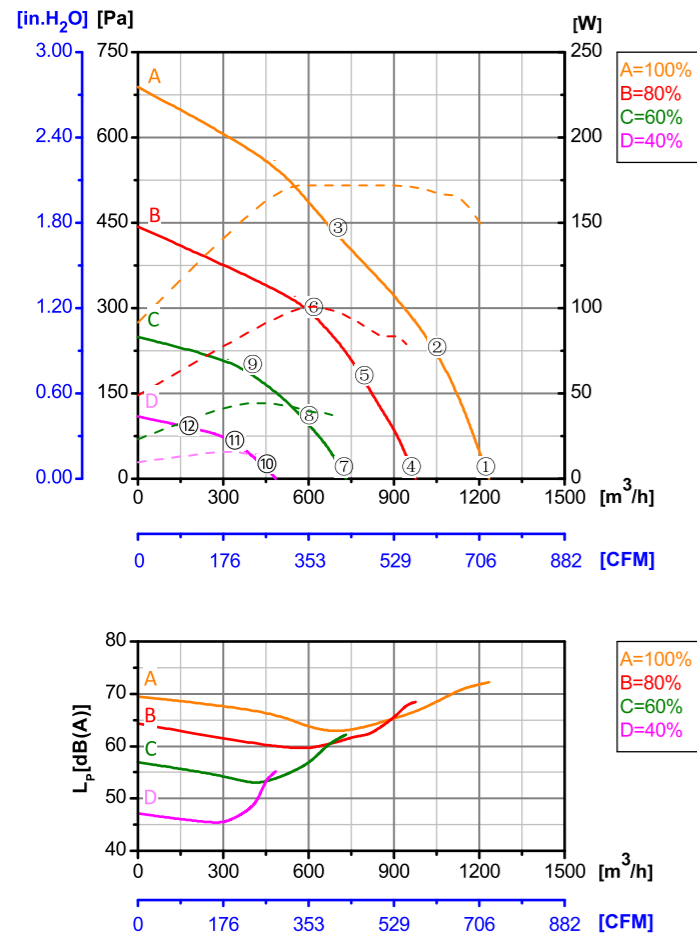
ErP2015  
EXCEEDS THE NORM



Φ 225

转子材质 Rotor Material: 碳钢 Carbon steel  
 叶轮材质 Impeller Material: 塑料 Plastic  
 防护等级 Ingress Protection: IP54  
 绝缘等级 Insulation Class: F  
 轴承类型 Bearing Type: 免维护滚珠轴承  
 Maintenance free ball bearing

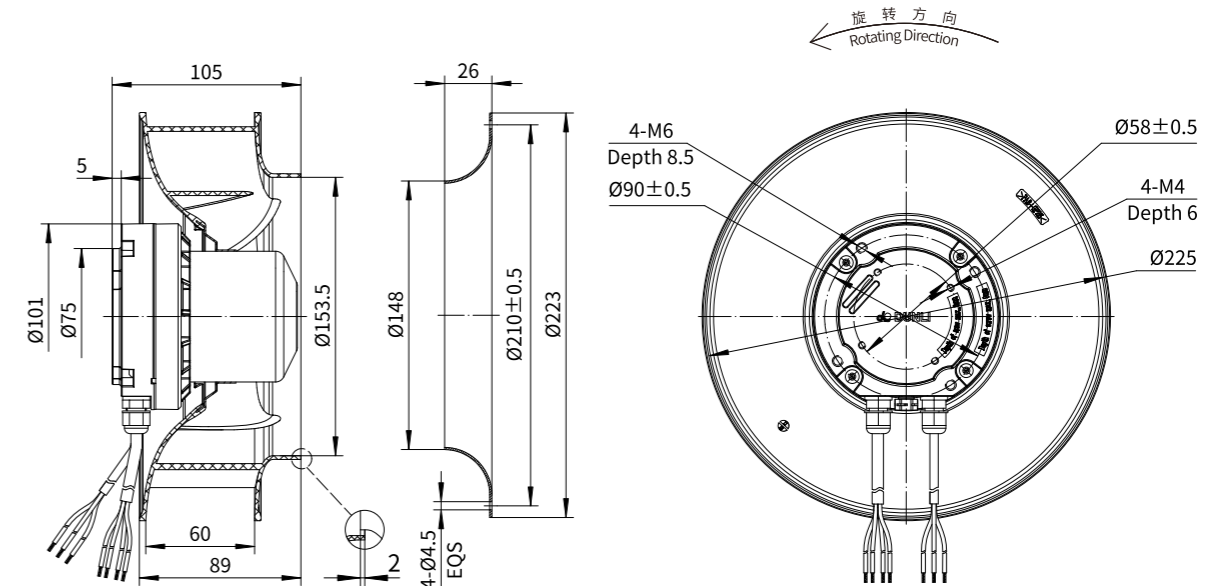
性能曲线 Performance Curves



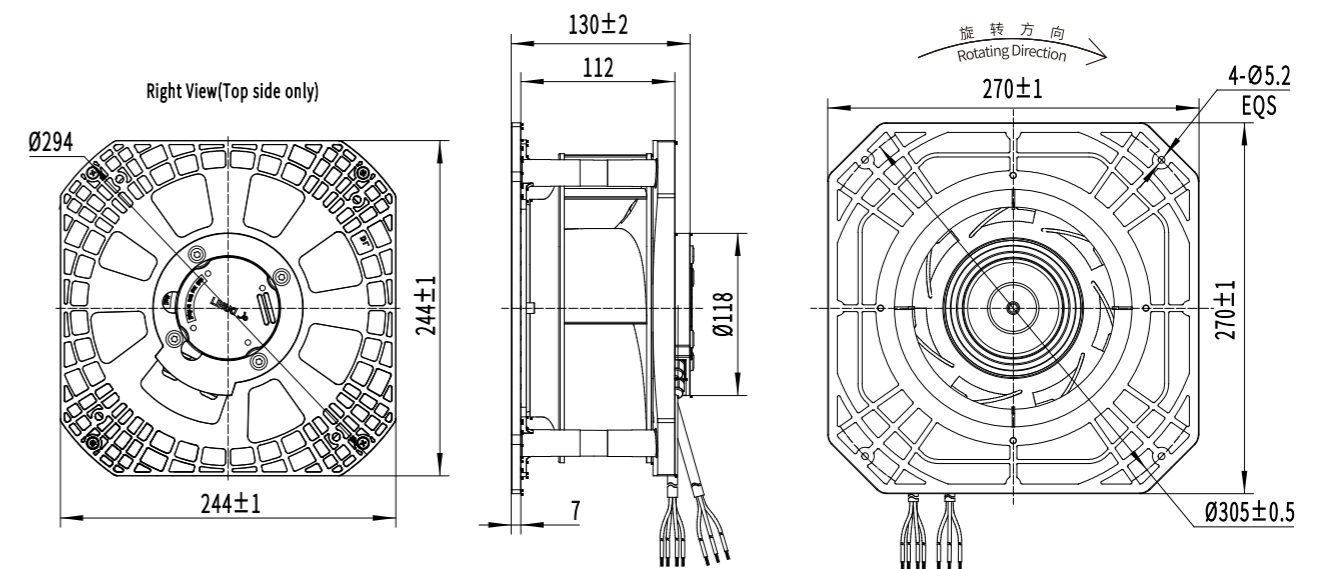
测试节点 Test Point	转速 Speed rpm	输入功率 Input Power W
1	3153	143
2	3155	166
3	3001	172
4	2521	73
5	2519	88
6	2521	101
7	1889	33
8	1890	39
9	1891	45
10	1260	13
11	1260	14
12	1260	16

Erp2015 Data:  
 Efficiency  $\eta_{statA}$  = 55.3%  
 Efficiency grade  $N_{actual}$  = 73.8,  $N_{target}$  = 62  
 Test report No. : L-20210810-009-001

后倾离心风机 Motorized Backward Curved Impeller



带支架 With Supporting Rack



产品型号 Model No.	电压 Voltage	频率 Frequency	转速 Speed	输入功率 Input Power	电流 Current	运行温度 Working Temp.	认证 Approvals
	VAC	Hz	RPM	W	A	Min/Max (°C)	
EC72-B225-B38	1~220/230	50/60	3100	160	1.20	-20/+60	CCC,CE

EC低静压后倾离心风机  
B-Flow

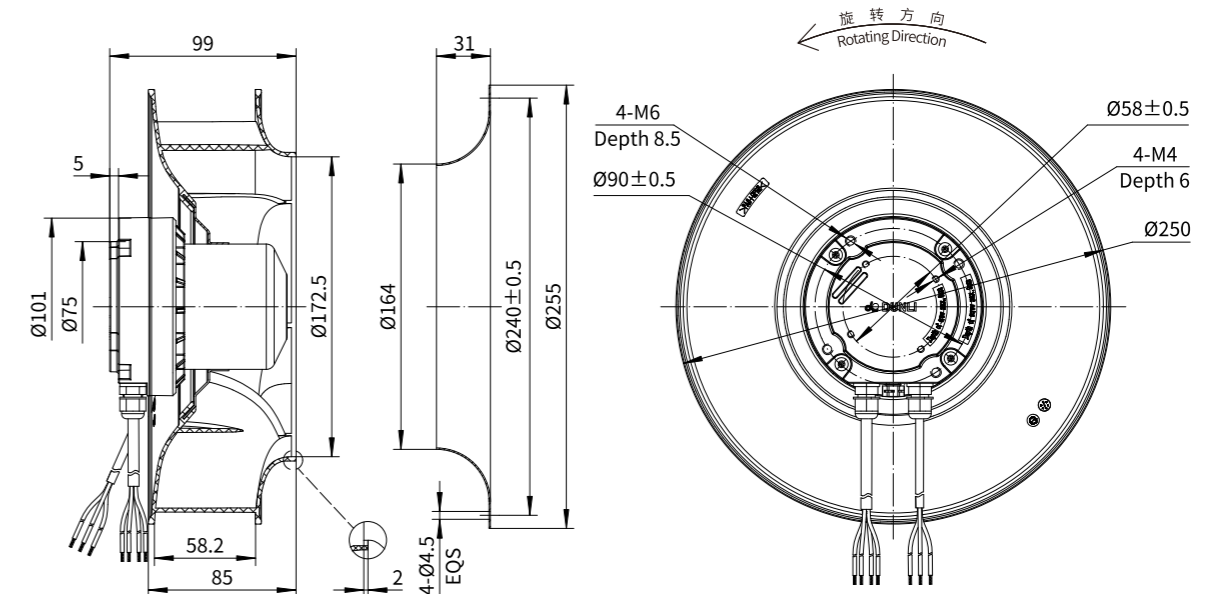
ErP2015  
EXCEEDS THE NORM

后倾离心风机 Motorized Backward Curved Impeller

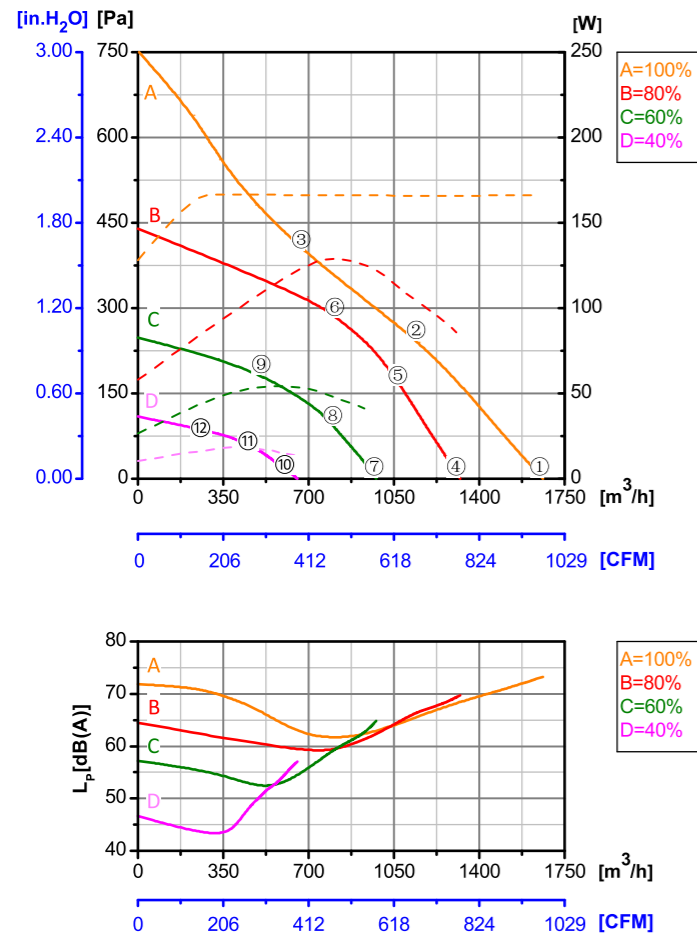


Φ 250

转子材质 Rotor Material: 碳钢 Carbon steel  
 叶轮材质 Impeller Material: 塑料 Plastic  
 防护等级 Ingress Protection: IP54  
 绝缘等级 Insulation Class: F  
 轴承类型 Bearing Type: 免维护滚珠球轴承  
 Maintenance free ball bearing



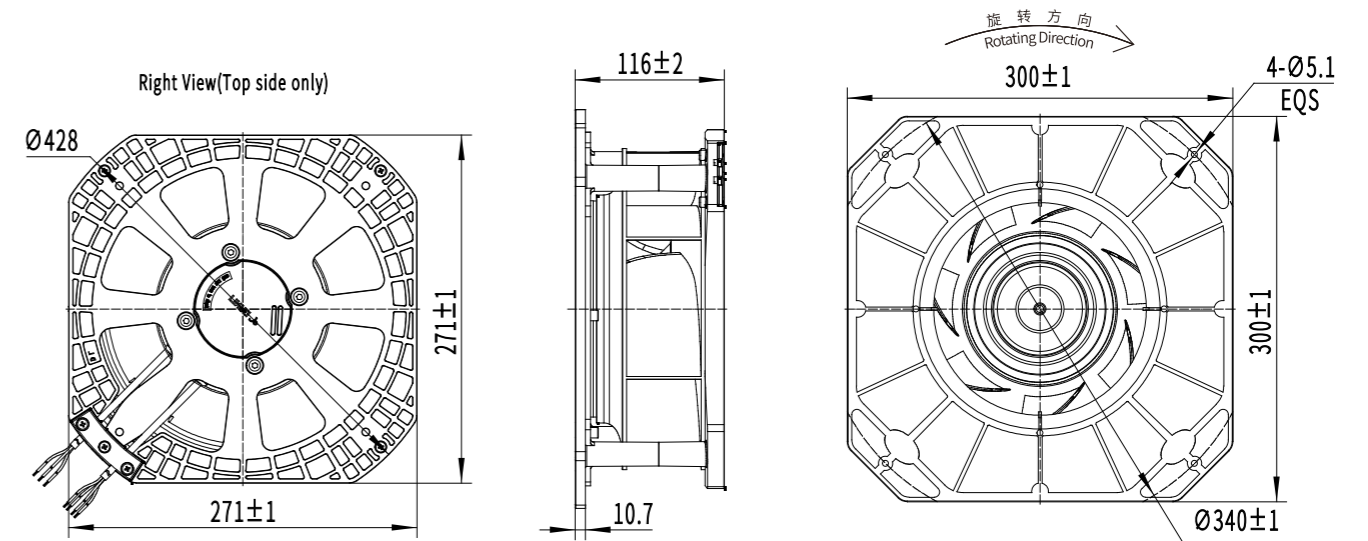
性能曲线 Performance Curves



测试节点 Test Point	转速 Speed rpm	输入功率 Input Power W
1	2879	166
2	2569	166
3	2498	166
4	2301	84
5	2301	111
6	2301	129
7	1728	39
8	1727	47
9	1727	55
10	1150	14
11	1150	16
12	1149	18

Erp2015 Data:  
 Efficiency  $\eta_{statA}$ =56%  
 Efficiency grade  $N_{actual}$ =74.6,  $N_{target}$ =62  
 Test report No. : L-20210810-010-001

带支架 With Supporting Rack



产品型号 Model No.	电压 Voltage	频率 Frequency	转速 Speed	输入功率 Input Power	电流 Current	运行温度 Working Temp.	认证 Approvals
	VAC	Hz	RPM	W	A	Min/Max (°C)	
EC72-B250-B33	1~220/230	50/60	2880	165	1.16	-20/+60	CCC,CE

EC低静压后倾离心风机  
B-Flow

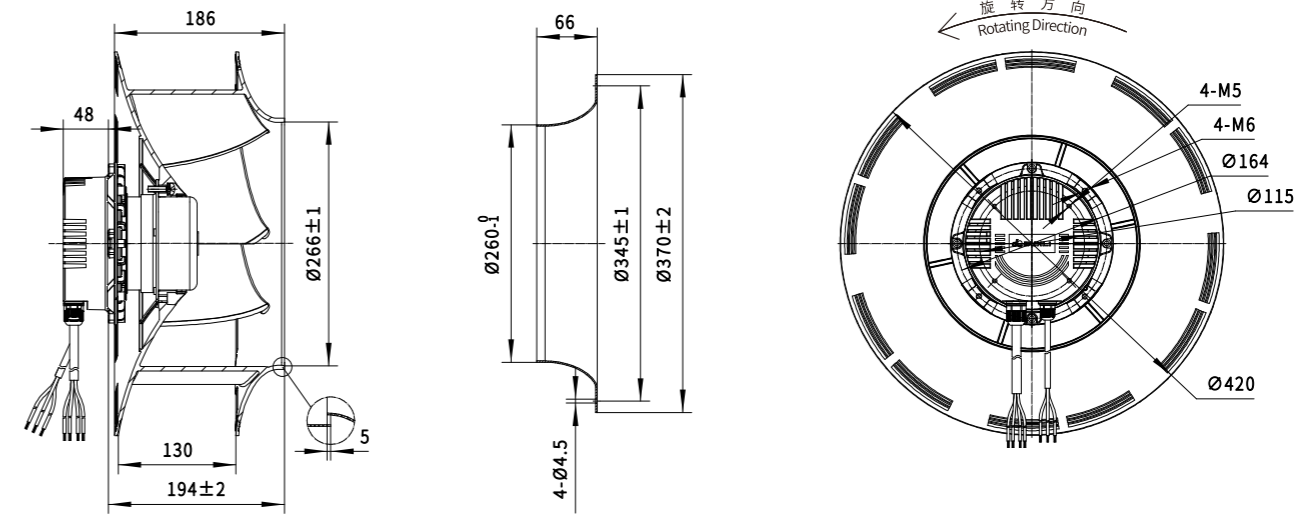
ErP2015  
EXCEEDS THE NORM

后倾离心风机 Motorized Backward Curved Impeller

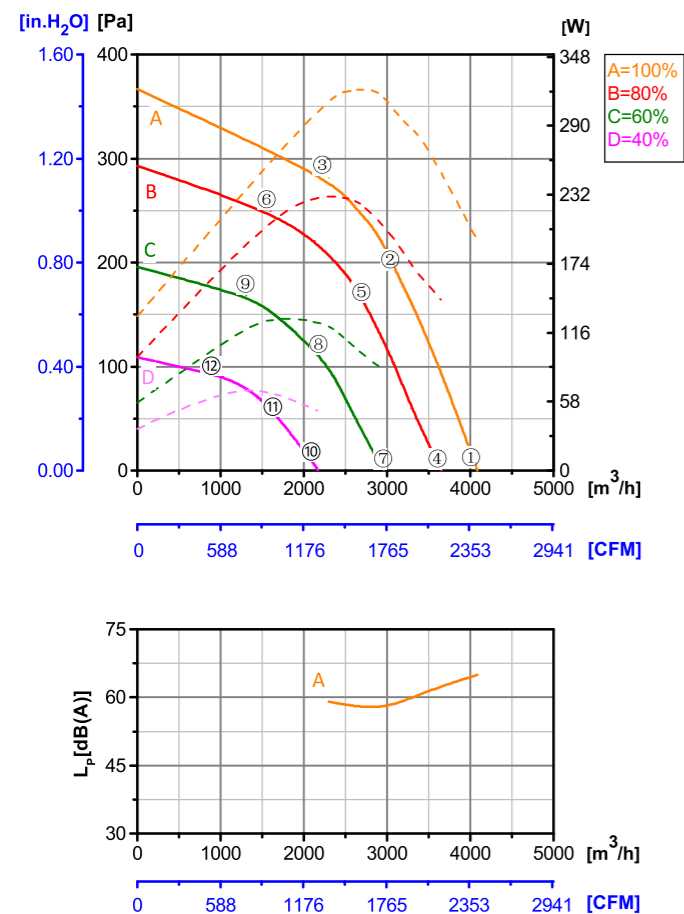


Φ 400

转子材质 Rotor Material: 碳钢 Carbon steel  
 风叶材质 Blade Material: 塑料 Plastic  
 防护等级 Ingress Protection: IP 54  
 绝缘等级 Insulation Class: F  
 轴承类型 Bearing Type: 免维护滚珠球轴承  
 Maintenance free ball bearing



性能曲线 Performance Curves



测试节点 Test Point	转速 Speed rpm	输入功率 Input Power W
1	1261	193
2	1262	299
3	1259	318
4	1127	124
5	1134	221
6	1129	214
7	926	84
8	925	124
9	924	121
10	723	49
11	721	63
12	723	52

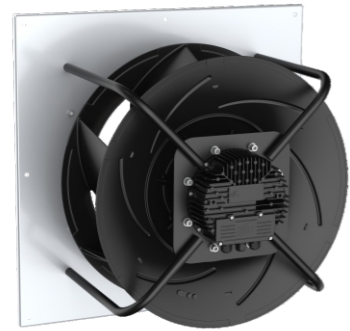
Erp2015 Data:  
 Efficiency  $\eta_{statA}=64.4\%$   
 Efficiency grade  $N_{actual}=80, N_{target}=62$   
 Test report No. : L-20201203-001-A

产品型号 Model No.	电压 Voltage	频率 Frequency	转速 Speed	输入功率 Input Power	电流 Current	运行温度 Working Temp.	认证 Approvals
	VDC	Hz	RPM	W	A	Min/Max (°C)	
EC102-B400-043	1~230	50/60	1280	195	1.05	-25/+60	CCC,CE,UKCA

EC低静压后倾离心风机  
B-Flow

ErP2015  
EXCEEDS THE NORM

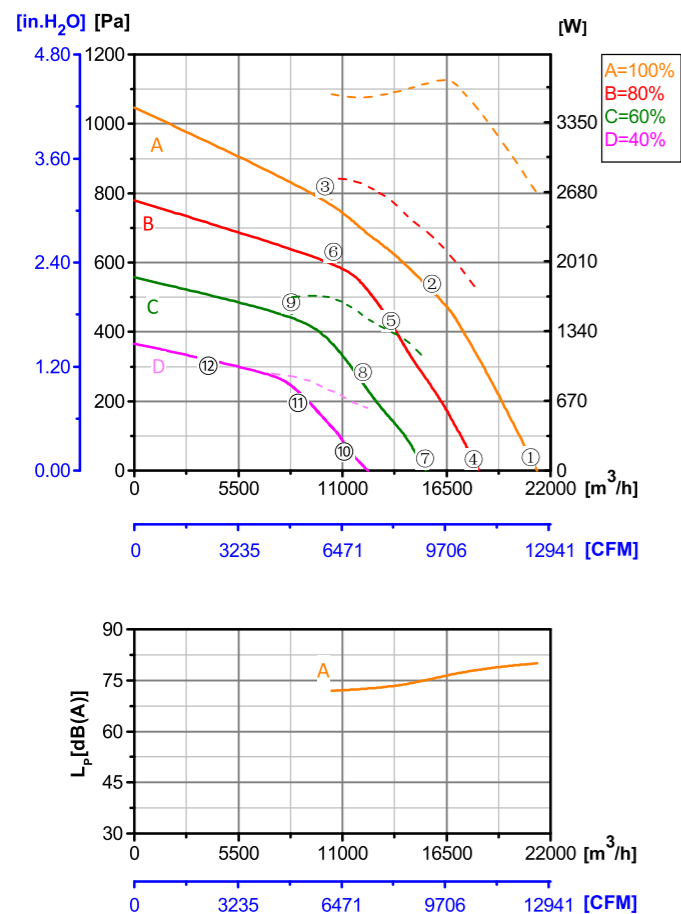
后倾离心风机 Motorized Backward Curved Impeller



Φ 630

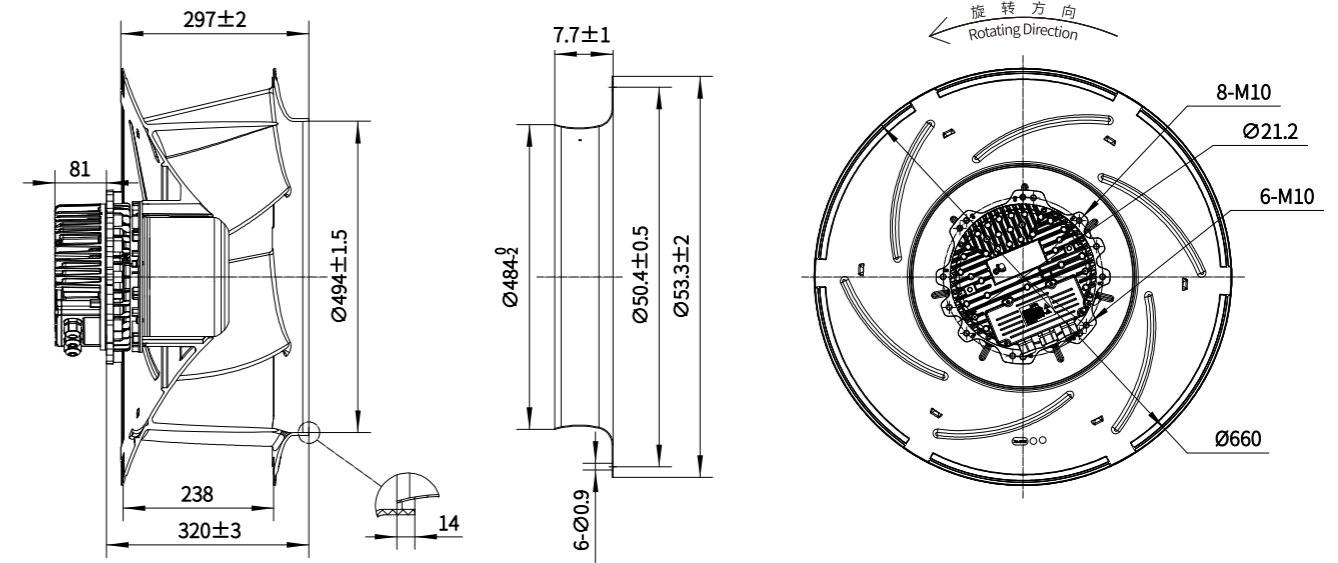
转子材质 Rotor Material: 碳钢 Carbon steel  
风叶材质 Blade Material: 塑料 Plastic  
防护等级 Ingress Protection: IP55  
绝缘等级 Insulation Class: F  
轴承类型 Bearing Type: 免维护滚珠球轴承  
Maintenance free ball bearing

性能曲线 Performance Curves

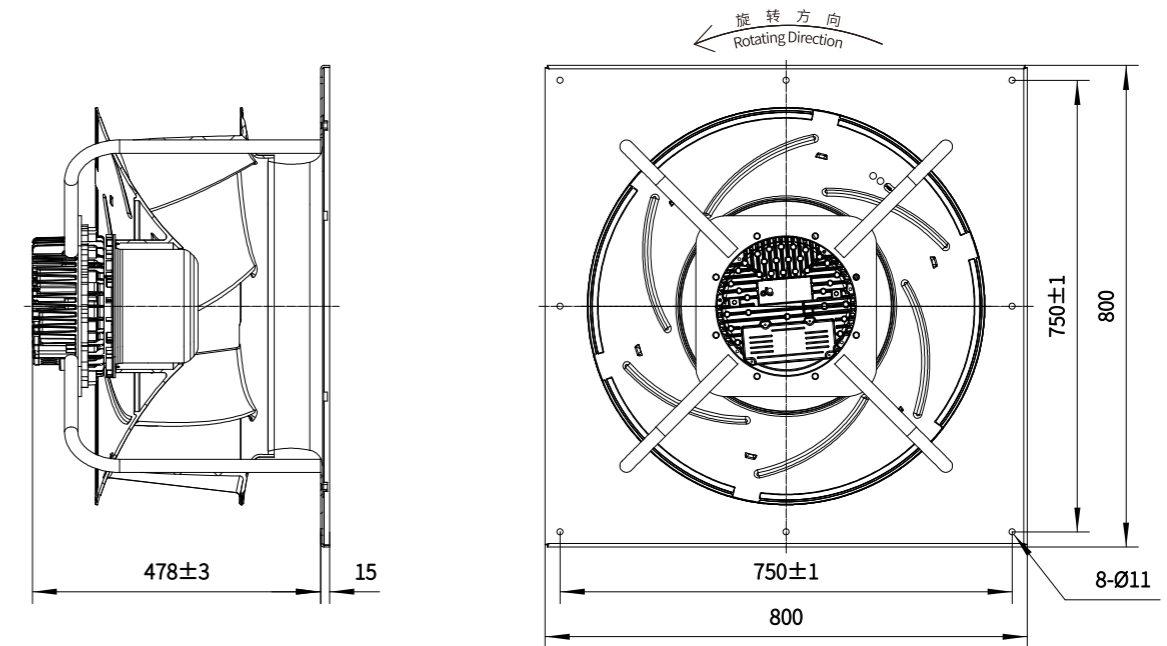


测试节点 Test Point	转速 Speed rpm	输入功率 Input Power W
1	1511	2663
2	1489	3757
3	1435	3621
4	1307	1717
5	1309	2559
6	1308	2806
7	1008	1073
8	1009	1480
9	1009	1665
10	902	602
11	901	852
12	901	926

Erp2015 Data:  
Efficiency  $\eta_{statA} = 69.17\%$   
Efficiency grade  $N_{actual} = 73.81, N_{target} = 62$   
Test report No. : L-20230224-001-A



带支架 With Supporting Rack



产品型号 Model No.	电压 Voltage	频率 Frequency	转速 Speed	输入功率 Input Power	电流 Current	运行温度 Working Temp.	认证 Approvals
	VDC	Hz	RPM	W	A	Min/Max (°C)	
EC180-B630-C02	3~400	50/60	1500	1950	3.1	-25/+40	CCC,CE,UKCA

DC 低静压后倾离心风机  
B-Flow

ErP2015  
EXCEEDS THE NORM

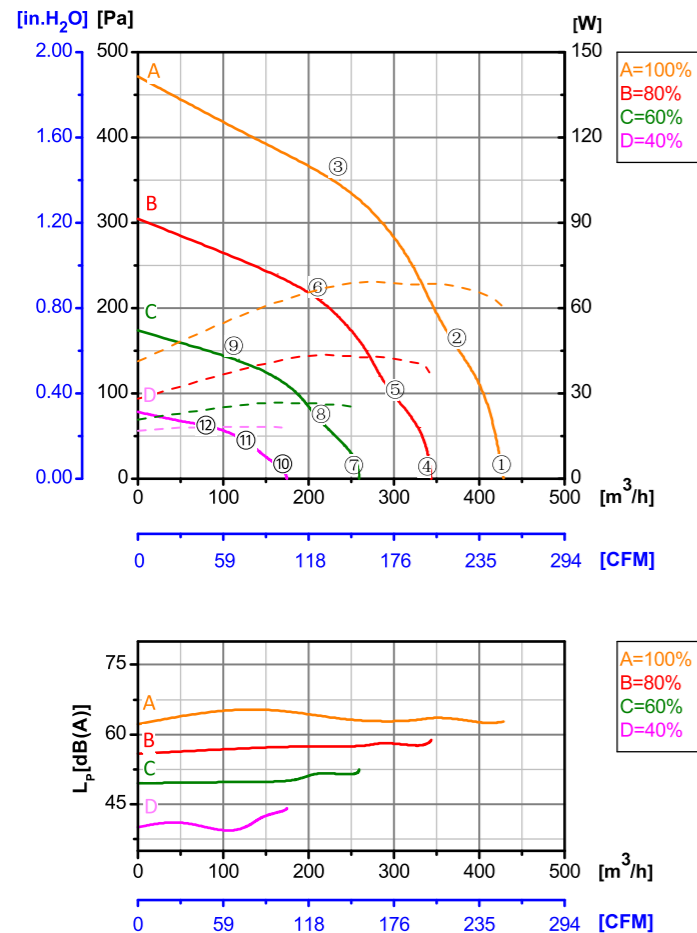
后倾离心风机 Motorized Backward Curved Impeller



Φ 133

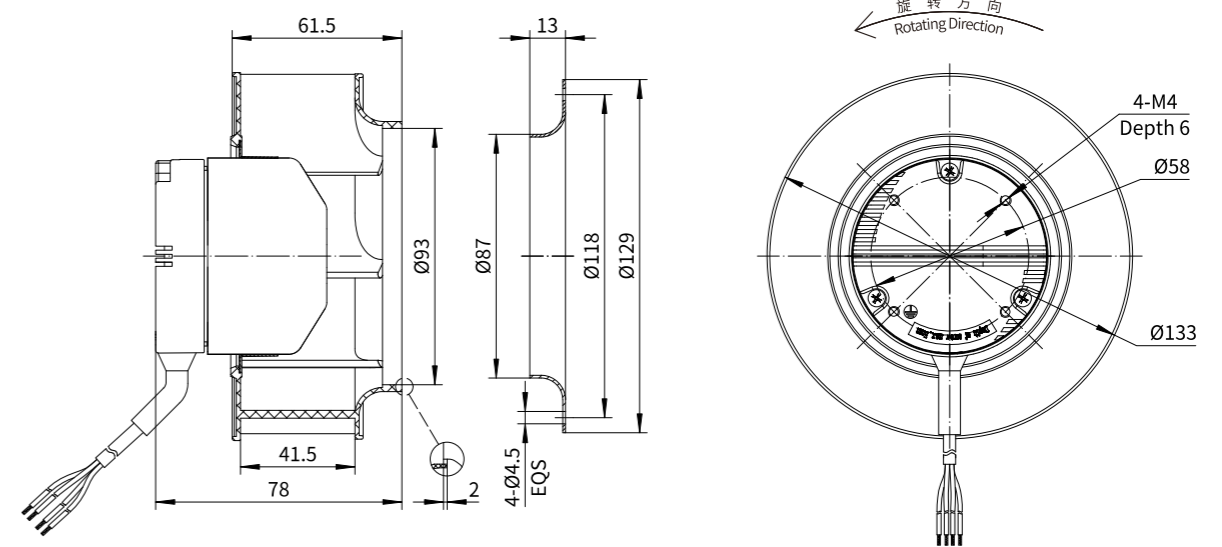
转子材质 Rotor Material: 碳钢 Carbon steel  
 叶轮材质 Impeller Material: 塑料 Plastic  
 防护等级 Ingress Protection: IP42  
 绝缘等级 Insulation Class: F  
 轴承类型 Bearing Type: 免维护滚珠球轴承  
 Maintenance free ball bearing

性能曲线 Performance Curves



测试节点 Test Point	转速 Speed rpm	输入功率 Input Power W
1	3040	78
2	2974	78
3	2814	77
4	2433	42
5	2435	45
6	2438	53
7	1821	21
8	1830	22
9	1824	24
10	1222	9
11	1232	10
12	1228	11

Erp2015 Data:  
 Efficiency  $\eta_{statA}$  = 40.6%  
 Efficiency grade  $N_{actual}$  = 49,  $N_{target}$  = 40  
 Test report No. : L-20210302-004-087



产品型号 Model No.	电压 Voltage	频率 Frequency	转速 Speed	输入功率 Input Power	电流 Current	运行温度 Working Temp.	认证 Approvals
	VDC	Hz	RPM	W	A	Min/Max (°C)	
DC72-B133-D10	310	/	4800	60	0.20	-20/+60	CCC,CE

DC 低静压后倾离心风机  
B-Flow

ErP2015  
EXCEEDS THE NORM

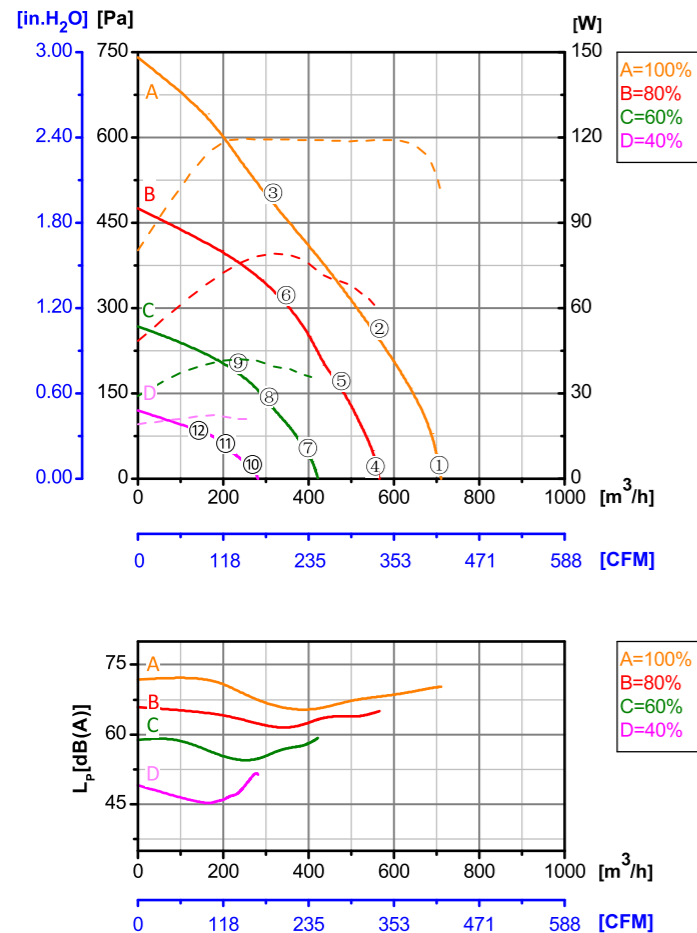
后倾离心风机 Motorized Backward Curved Impeller



Φ 175

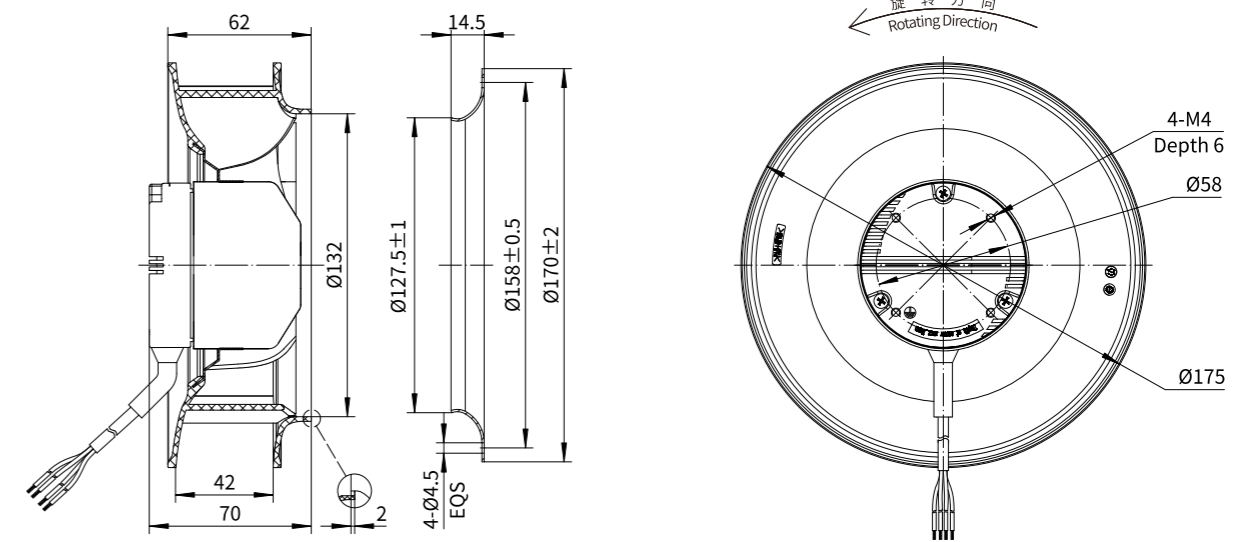
转子材质 Rotor Material: 碳钢 Carbon steel  
 叶轮材质 Impeller Material: 塑料 Plastic  
 防护等级 Ingress Protection: IP42  
 绝缘等级 Insulation Class: F  
 轴承类型 Bearing Type: 免维护滚珠轴承  
 Maintenance free ball bearing

性能曲线 Performance Curves



测试节点 Test Point	转速 Speed rpm	输入功率 Input Power W
1	3040	78
2	2974	78
3	2814	77
4	2433	42
5	2435	45
6	2438	53
7	1821	21
8	1830	22
9	1824	24
10	1222	9
11	1232	10
12	1228	11

Erp2015 Data:  
 Efficiency  $\eta_{statA}=40.6\%$   
 Efficiency grade  $N_{actual}=49, N_{target}=40$   
 Test report No. : L-20210302-004-087



产品型号 Model No.	电压 Voltage	频率 Frequency	转速 Speed	输入功率 Input Power	电流 Current	运行温度 Working Temp.	认证 Approvals
	VDC	Hz	RPM	W	A	Min/Max (°C)	
DC72-B175-D10	310	/	4500	110	0.36	-20/+60	CCC,CE

DC 低静压后倾离心风机  
B-Flow

ErP2015  
EXCEEDS THE NORM

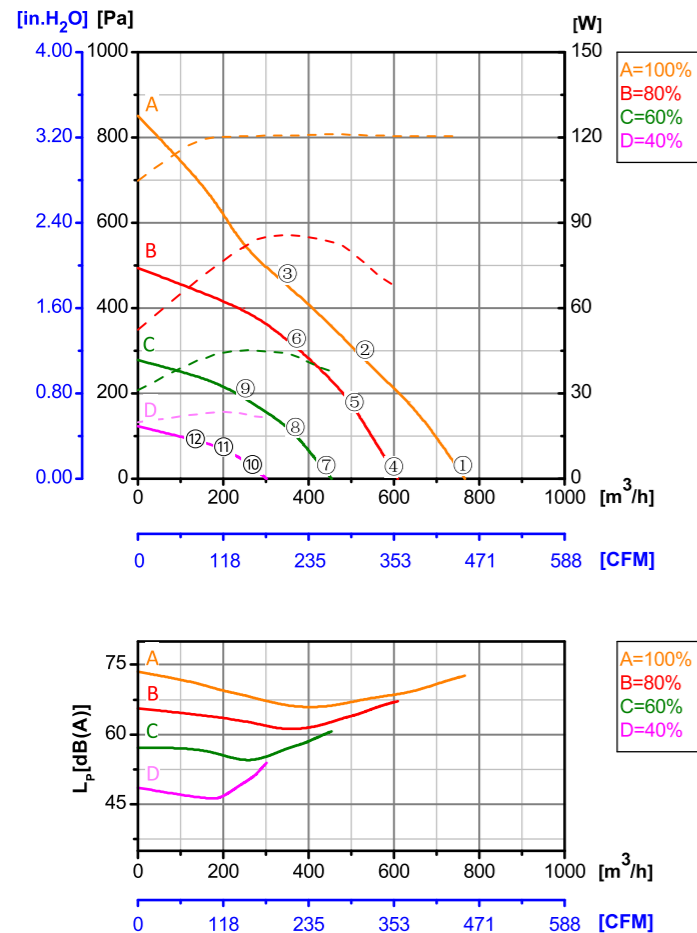
后倾离心风机 Motorized Backward Curved Impeller



Φ 190

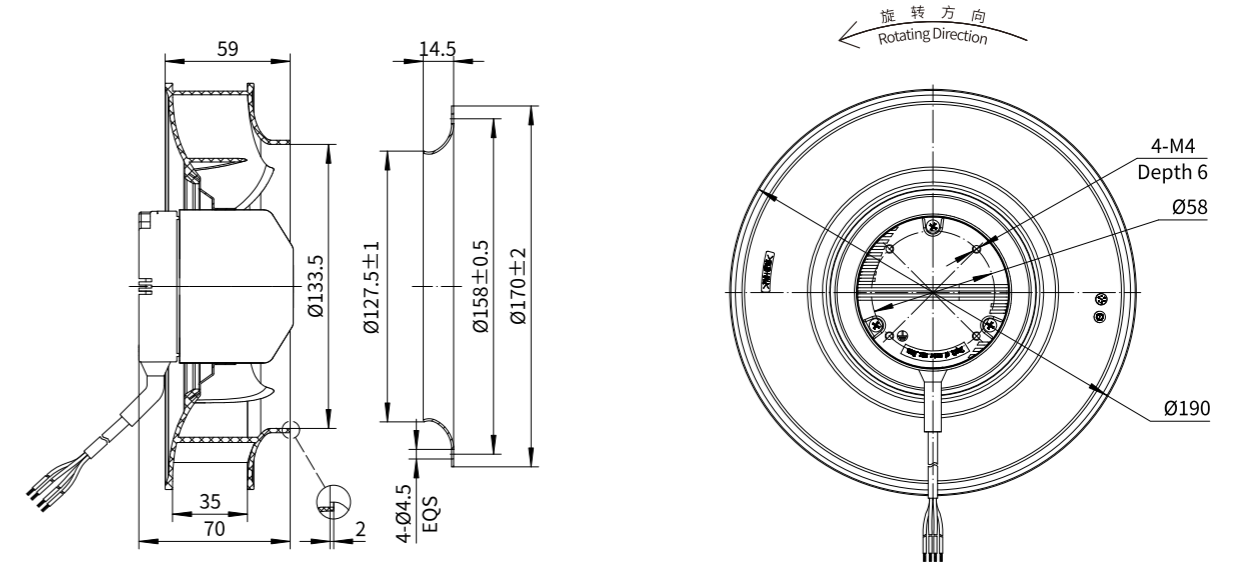
转子材质 Rotor Material: 碳钢 Carbon steel  
 叶轮材质 Impeller Material: 塑料 Plastic  
 防护等级 Ingress Protection: IP42  
 绝缘等级 Insulation Class: F  
 轴承类型 Bearing Type: 免维护滚珠球轴承  
 Maintenance free ball bearing

性能曲线 Performance Curves



测试节点 Test Point	转速 Speed rpm	输入功率 Input Power W
1	3040	78
2	2974	78
3	2814	77
4	2433	42
5	2435	45
6	2438	53
7	1821	21
8	1830	22
9	1824	24
10	1222	9
11	1232	10
12	1228	11

Erp2015 Data:  
 Efficiency  $\eta_{statA}=40.6\%$   
 Efficiency grade  $N_{actual}=49, N_{target}=40$   
 Test report No. : L-20210302-004-087



产品型号 Model No.	电压 Voltage	频率 Frequency	转速 Speed	输入功率 Input Power	电流 Current	运行温度 Working Temp.	认证 Approvals
	VDC	Hz	RPM	W	A	Min/Max (°C)	
DC72-B190-D10	310	/	4000	120	0.39	-20/+60	CCC,CE



DC 低静压后倾离心风机  
B-Flow

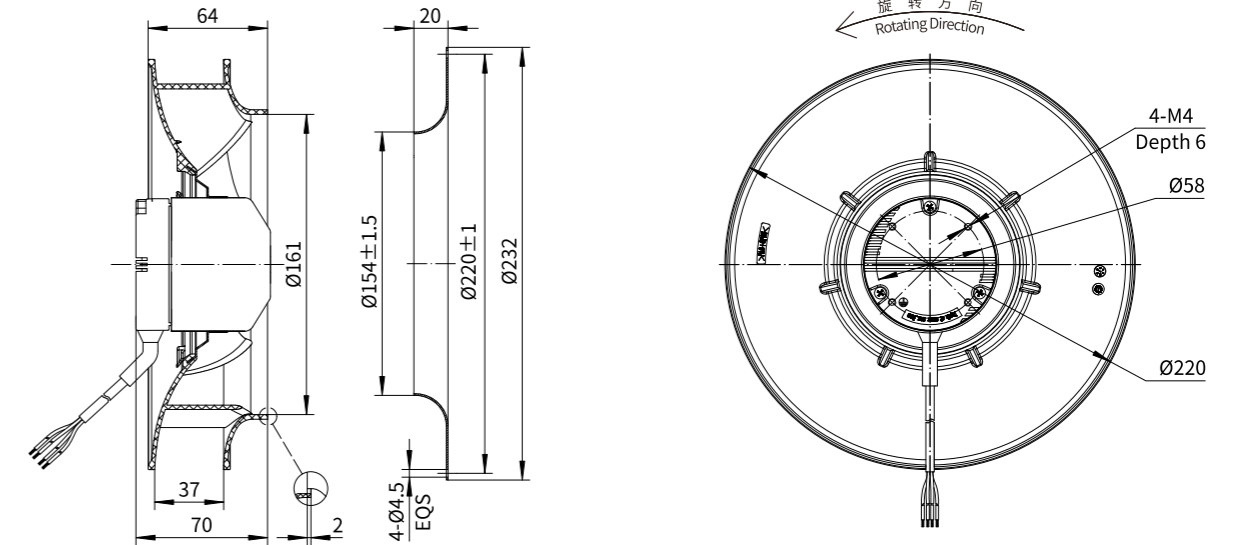
ErP2015  
EXCEEDS THE NORM

后倾离心风机 Motorized Backward Curved Impeller

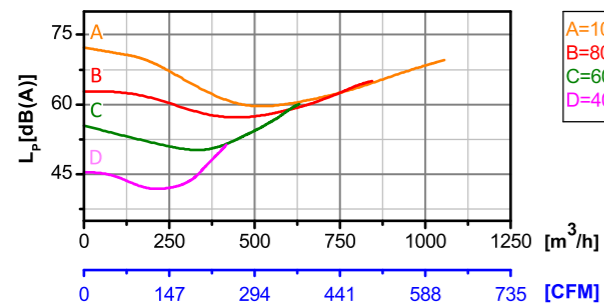
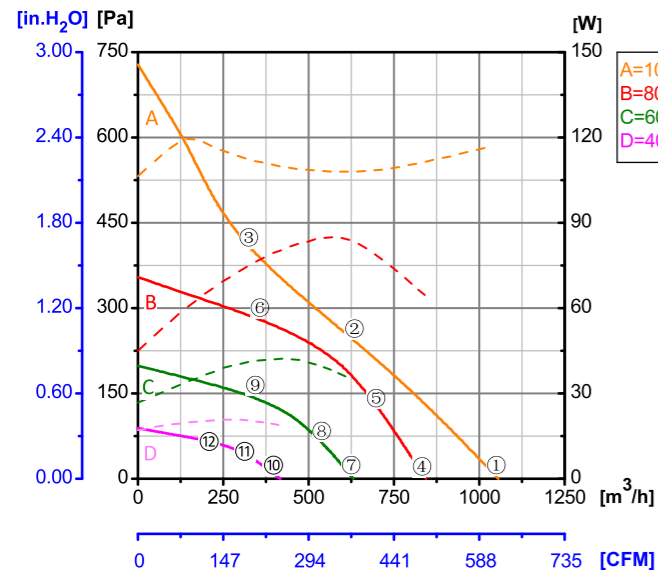


Φ 220

转子材质 Rotor Material: 碳钢 Carbon steel  
 叶轮材质 Impeller Material: 塑料 Plastic  
 防护等级 Ingress Protection: IP42  
 绝缘等级 Insulation Class: F  
 轴承类型 Bearing Type: 免维护滚珠球轴承  
 Maintenance free ball bearing



性能曲线 Performance Curves



测试节点 Test Point	转速 Speed rpm	输入功率 Input Power W
1	3040	78
2	2974	78
3	2814	77
4	2433	42
5	2435	45
6	2438	53
7	1821	21
8	1830	22
9	1824	24
10	1222	9
11	1232	10
12	1228	11

Erp2015 Data:  
 Efficiency  $\eta_{statA}$ =40.6%  
 Efficiency grade  $N_{actual}$ =49,  $N_{target}$ =40  
 Test report No. : L-20210302-004-087

产品型号 Model No.	电压 Voltage	频率 Frequency	转速 Speed	输入功率 Input Power	电流 Current	运行温度 Working Temp.	认证 Approvals
	VDC	Hz	RPM	W	A	Min/Max (°C)	
DC72-B220-D10	310	/	3600	120	0.39	-20/+60	CCC,CE

DC 低静压后倾离心风机  
B-Flow

ErP2015  
EXCEEDS THE NORM

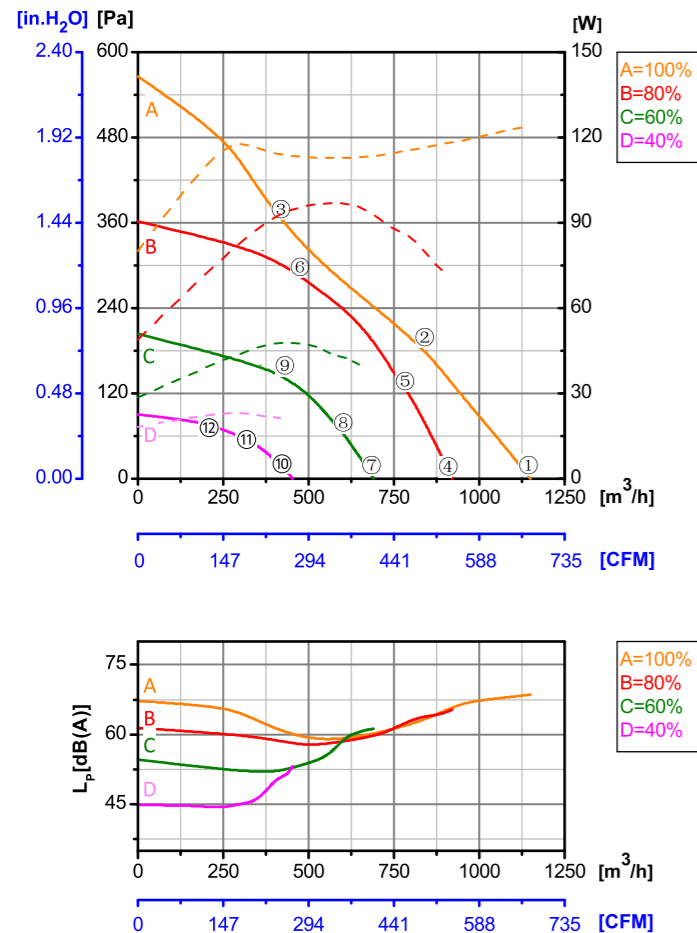
后倾离心风机 Motorized Backward Curved Impeller



Φ 225

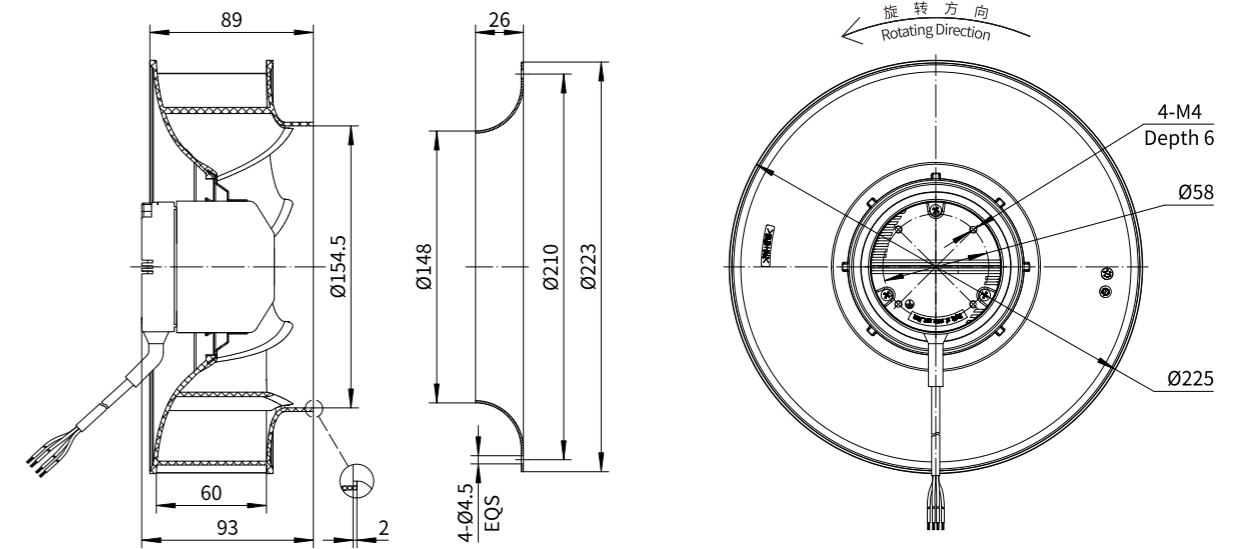
转子材质 Rotor Material: 碳钢 Carbon steel  
 叶轮材质 Impeller Material: 塑料 Plastic  
 防护等级 Ingress Protection: IP42  
 绝缘等级 Insulation Class: F  
 轴承类型 Bearing Type: 免维护滚珠轴承  
 Maintenance free ball bearing

性能曲线 Performance Curves



测试节点 Test Point	转速 Speed rpm	输入功率 Input Power W
1	3040	78
2	2974	78
3	2814	77
4	2433	42
5	2435	45
6	2438	53
7	1821	21
8	1830	22
9	1824	24
10	1222	9
11	1232	10
12	1228	11

Erp2015 Data:  
 Efficiency  $\eta_{statA}=40.6\%$   
 Efficiency grade  $N_{actual}=49, N_{target}=40$   
 Test report No. : L-20210302-004-087



产品型号 Model No.	电压 Voltage	频率 Frequency	转速 Speed	输入功率 Input Power	电流 Current	运行温度 Working Temp.	认证 Approvals
	VDC	Hz	RPM	W	A	Min/Max (°C)	
DC72-B225-D10	310	/	2750	120	0.39	-20/+60	CCC,CE

低静压后倾离心风机  
B-Flow

DC 低静压后倾离心风机  
B-Flow

ErP2015  
EXCEEDS THE NORM

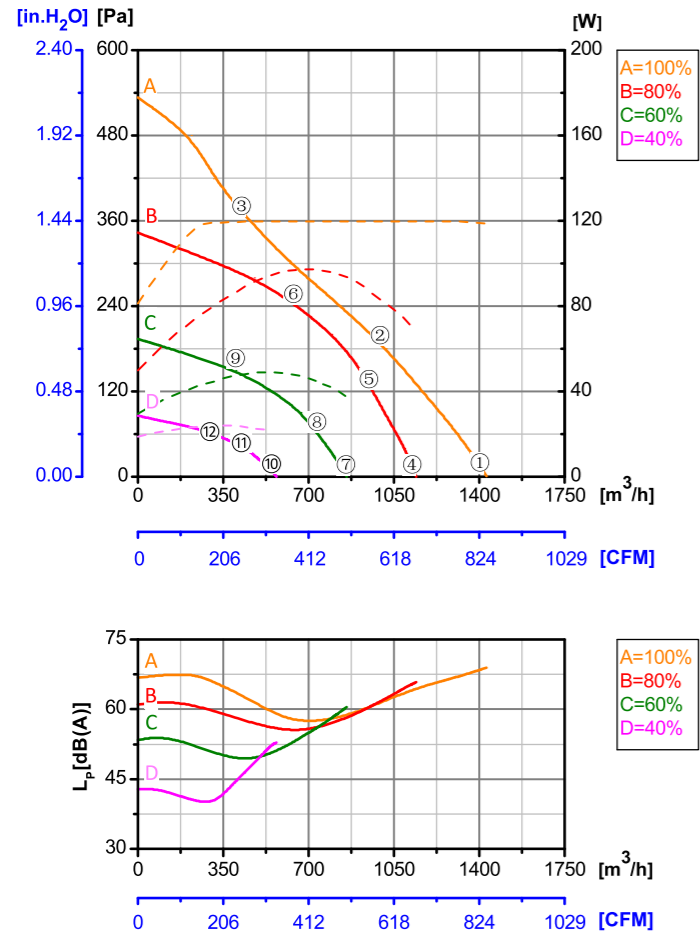
后倾离心风机 Motorized Backward Curved Impeller



Φ 250

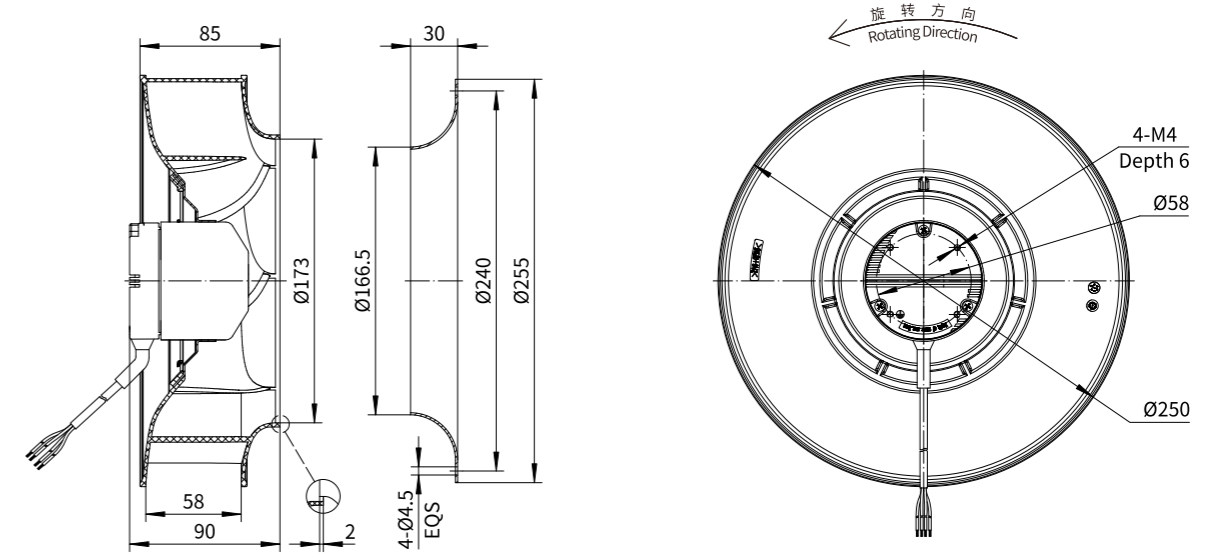
转子材质 Rotor Material: 碳钢 Carbon steel  
 叶轮材质 Impeller Material: 塑料 Plastic  
 防护等级 Ingress Protection: IP42  
 绝缘等级 Insulation Class: F  
 轴承类型 Bearing Type: 免维护滚珠球轴承  
 Maintenance free ball bearing

性能曲线 Performance Curves



测试节点 Test Point	转速 Speed rpm	输入功率 Input Power W
1	3040	78
2	2974	78
3	2814	77
4	2433	42
5	2435	45
6	2438	53
7	1821	21
8	1830	22
9	1824	24
10	1222	9
11	1232	10
12	1228	11

Erp2015 Data:  
 Efficiency  $\eta_{statA}=40.6\%$   
 Efficiency grade  $N_{actual}=49, N_{target}=40$   
 Test report No. : L-20210302-004-087

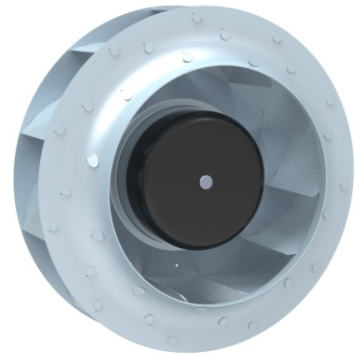


产品型号 Model No.	电压 Voltage	频率 Frequency	转速 Speed	输入功率 Input Power	电流 Current	运行温度 Working Temp.	认证 Approvals
	VDC	Hz	RPM	W	A	Min/Max (°C)	
DC72-B250-D10	310	/	2450	120	0.39	-20/+60	CCC,CE

EC 金属叶轮后倾离心风机  
EC Backward Centrifugal Fan with Metal Impeller

ErP2015  
EXCEEDS THE NORM

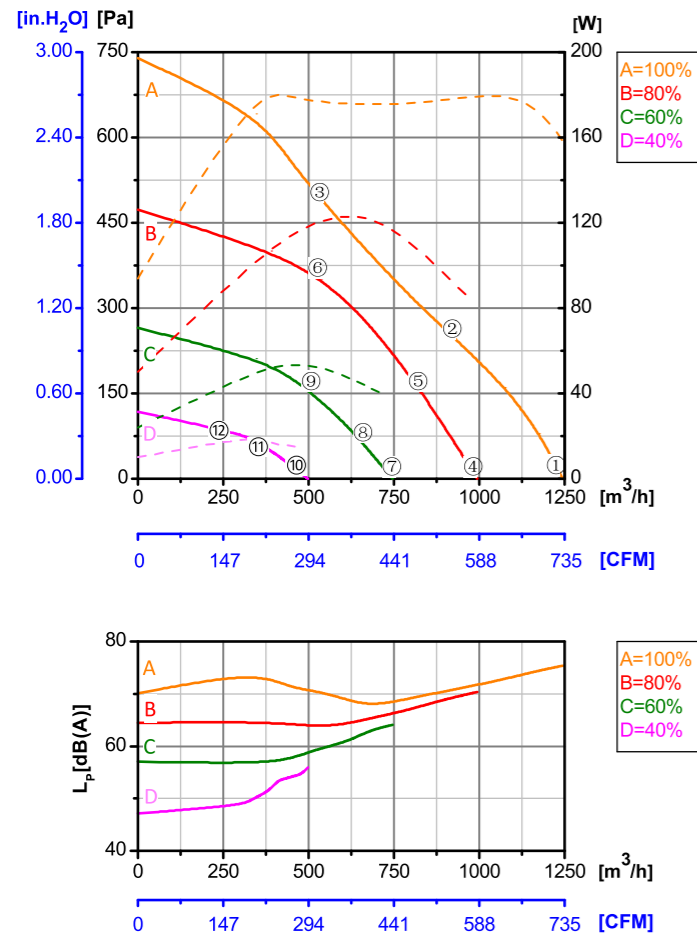
后倾离心风机 Motorized Backward Curved Impeller



Φ 225

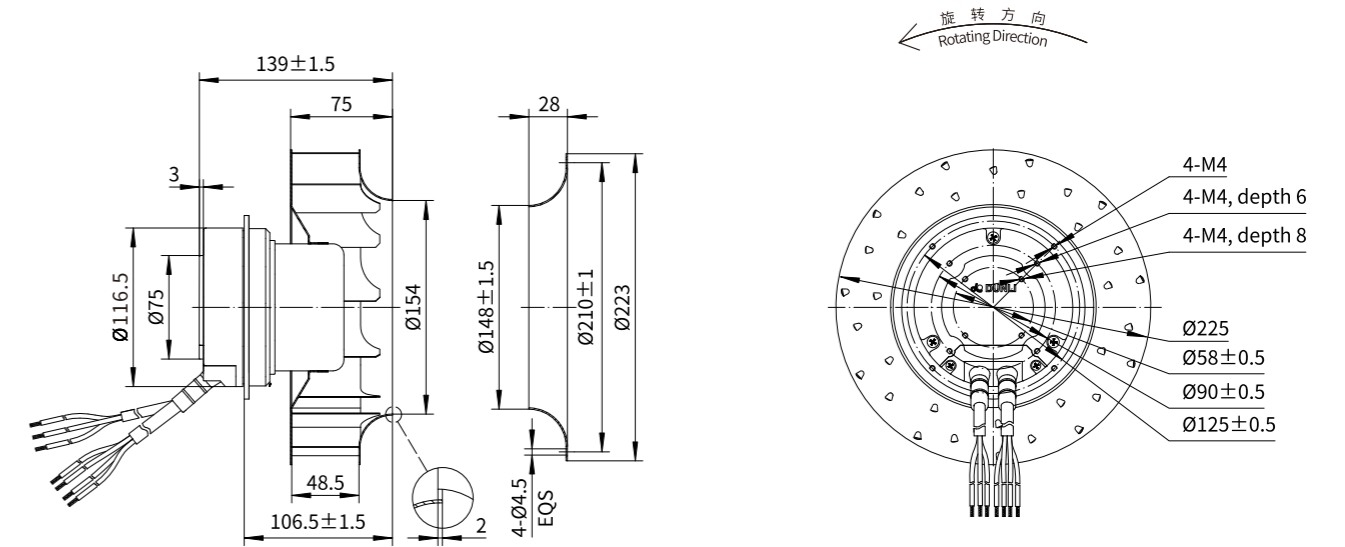
转子材质 Rotor Material: 碳钢 Carbon steel  
 叶轮材质 Impeller Material: 镀锌板 Galvanized steel sheet  
 防护等级 Ingress Protection: IP44  
 绝缘等级 Insulation Class: F  
 轴承类型 Bearing Type: 免维护滚珠轴承  
 Maintenance free ball bearing

性能曲线 Performance Curves



测试节点 Test Point	转速 Speed rpm	输入功率 Input Power W
1	3400	159
2	3189	178
3	3093	176
4	2718	81
5	2722	106
6	2720	122
7	2038	37
8	2038	44
9	2038	53
10	1357	14
11	1358	16
12	1358	18

Erp2015 Data:  
 Efficiency  $\eta_{statA}$  = 48.5%  
 Efficiency grade  $N_{actual}$  = 67,  $N_{target}$  = 62  
 Test report No. : L-20210302-005-104

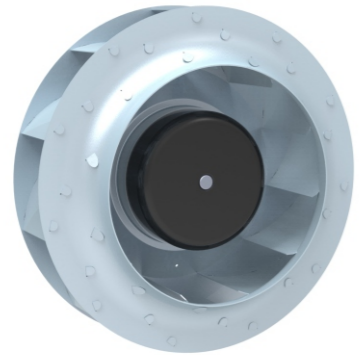


产品型号 Model No.	电压 Voltage	频率 Frequency	转速 Speed	输入功率 Input Power	电流 Current	运行温度 Working Temp.	认证 Approvals
	VAC	Hz	RPM	W	A	Min/Max (°C)	
EC92-B225-B01	1~220/230	50/60	3400	160	1.18	-20/+60	CCC,CE

EC 金属叶轮后倾离心风机  
EC Backward Centrifugal Fan with Metal Impeller

ErP2015  
EXCEEDS THE NORM

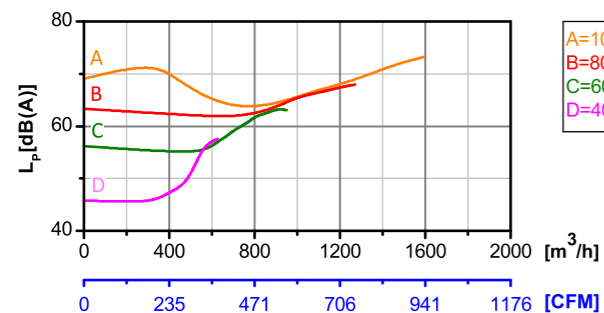
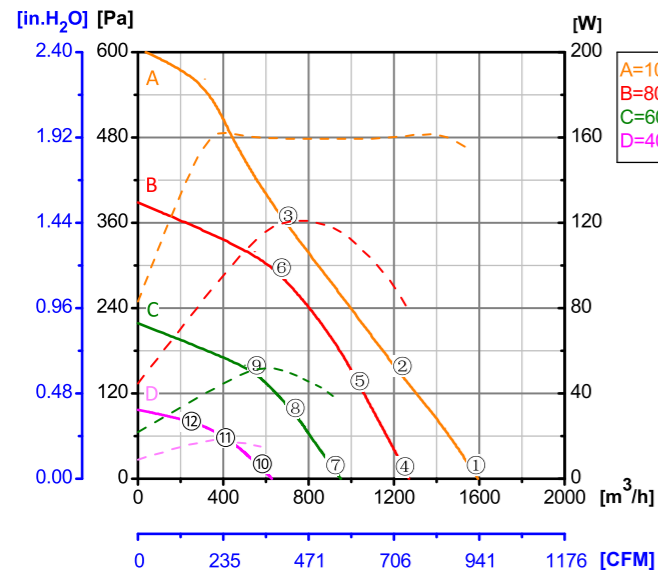
后倾离心风机 Motorized Backward Curved Impeller



Φ 250-L

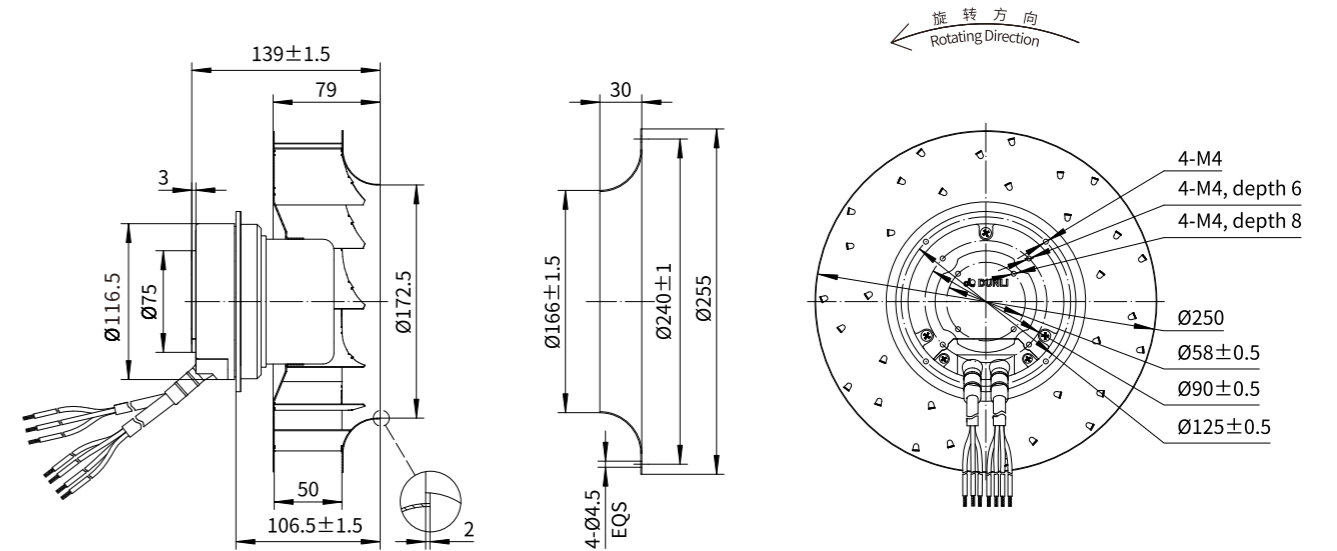
转子材质 Rotor Material: 碳钢 Carbon steel  
 叶轮材质 Impeller Material: 镀锌板 Galvanized steel sheet  
 防护等级 Ingress Protection: IP44  
 绝缘等级 Insulation Class: F  
 轴承类型 Bearing Type: 免维护滚珠轴承  
 Maintenance free ball bearing

性能曲线 Performance Curves



测试节点 Test Point	转速 Speed rpm	输入功率 Input Power W
1	2809	151
2	2589	161
3	2462	160
4	2249	78
5	2250	107
6	2249	121
7	1687	36
8	1688	48
9	1687	52
10	1124	13
11	1125	16
12	1124	18

Erp2015 Data:  
 Efficiency  $\eta_{statA}$ =50.0%  
 Efficiency grade  $N_{actual}$ =68.8,  $N_{target}$ =62  
 Test report No. : L-20210302-005-102



产品型号 Model No.	电压 Voltage	频率 Frequency	转速 Speed	输入功率 Input Power	电流 Current	运行温度 Working Temp.	认证 Approvals
	VAC	Hz	RPM	W	A	Min/Max (°C)	
EC92-B250-B10	1~220/230	50/60	2800	160	1.15	-20/+60	CCC,CE

EC 金属叶轮后倾离心风机  
EC Backward Centrifugal Fan with Metal Impeller

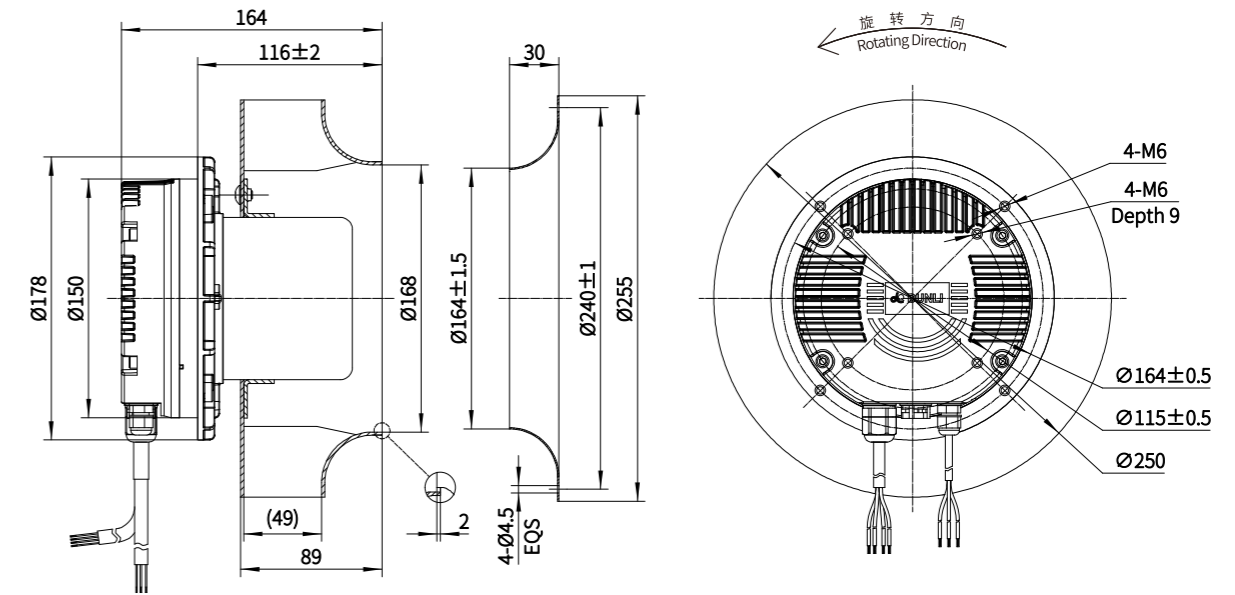
ErP2015  
EXCEEDS THE NORM

后倾离心风机 Motorized Backward Curved Impeller

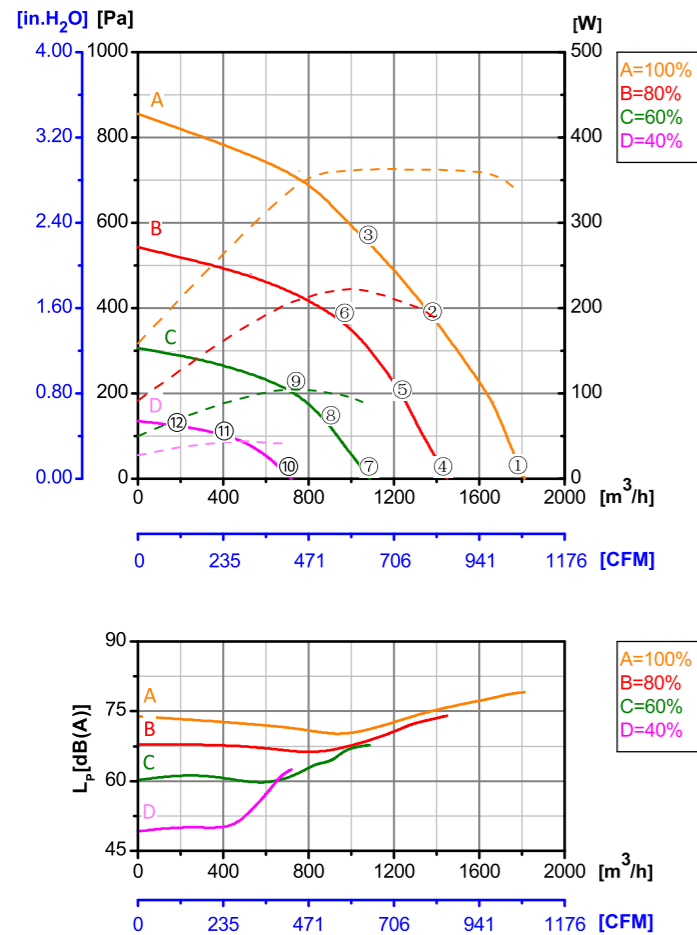


Φ 250-H

转子材质 Rotor Material: 碳钢 Carbon steel  
叶轮材质 Impeller Material: 铝合金 Aluminum alloy sheet  
防护等级 Ingress Protection: IP54  
绝缘等级 Insulation Class: F  
轴承类型 Bearing Type: 免维护滚珠轴承  
Maintenance free ball bearing



性能曲线 Performance Curves



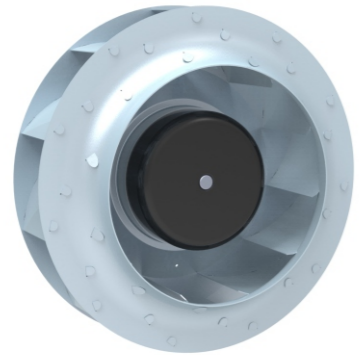
测试节点 Test Point	转速 Speed rpm	输入功率 Input Power W
1	3283	328
2	3172	362
3	3124	364
4	2628	179
5	2630	205
6	2631	223
7	1970	87
8	1974	100
9	1974	105
10	1313	39
11	1314	43
12	1314	39

Erp2015 Data:  
Efficiency  $\eta_{statA}$ =51.2%  
Efficiency grade  $N_{actual}$ =66.3,  $N_{target}$ =62  
Test report No. : L-20210302-005-046

产品型号 Model No.	电压 Voltage	频率 Frequency	转速 Speed	输入功率 Input Power	电流 Current	运行温度 Working Temp.	认证 Approvals
	VAC	Hz	RPM	W	A	Min/Max (°C)	
EC102-B250-030	1~220/230	50/60	3300	350	1.60	-20/+60	CCC,CE

EC 金属叶轮后倾离心风机  
EC Backward Centrifugal Fan with Metal Impeller

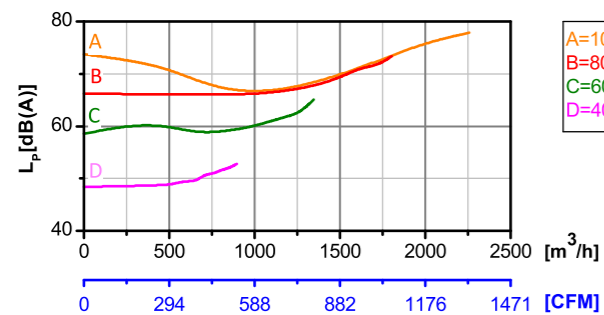
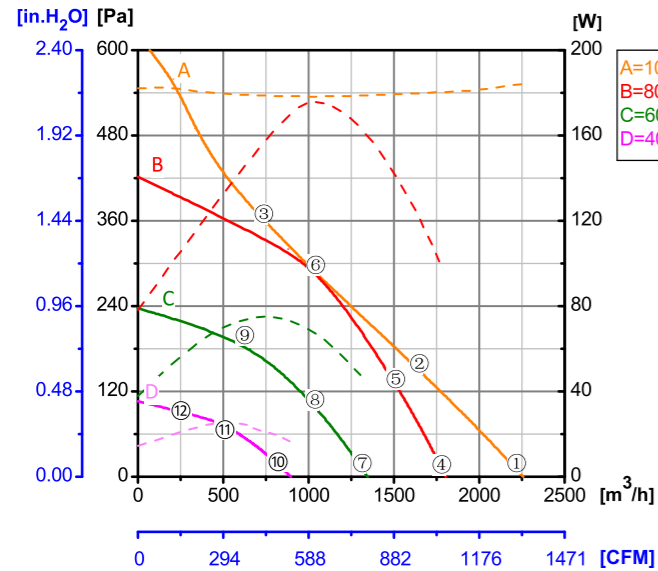
ErP2015  
EXCEEDS THE NORM



Φ 280-L

转子材质 Rotor Material: 碳钢 Carbon steel  
 叶轮材质 Impeller Material: 镀锌板 Galvanized steel sheet  
 防护等级 Ingress Protection: IP44  
 绝缘等级 Insulation Class: F  
 轴承类型 Bearing Type: 免维护滚珠球轴承  
 Maintenance free ball bearing

性能曲线 Performance Curves

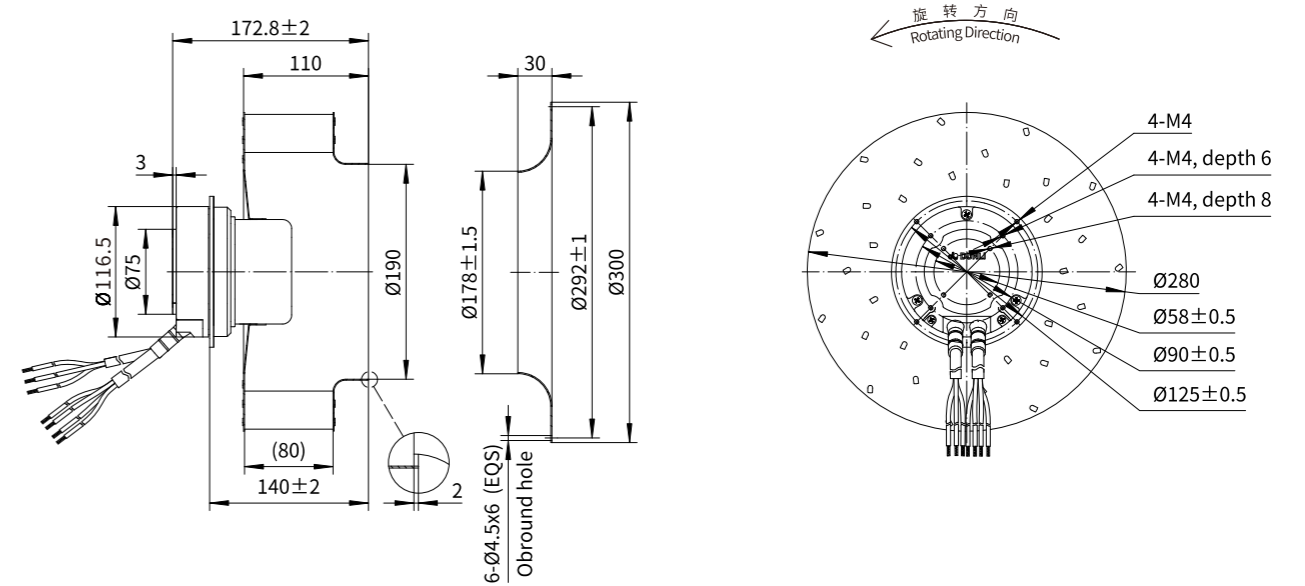


测试节点 Test Point	转速 Speed rpm	输入功率 Input Power W
1	2619	184
2	2295	180
3	2127	179
4	2096	94
5	2099	139
6	2098	177
7	1571	44
8	1572	66
9	1571	75
10	1048	16
11	1048	21
12	1048	25

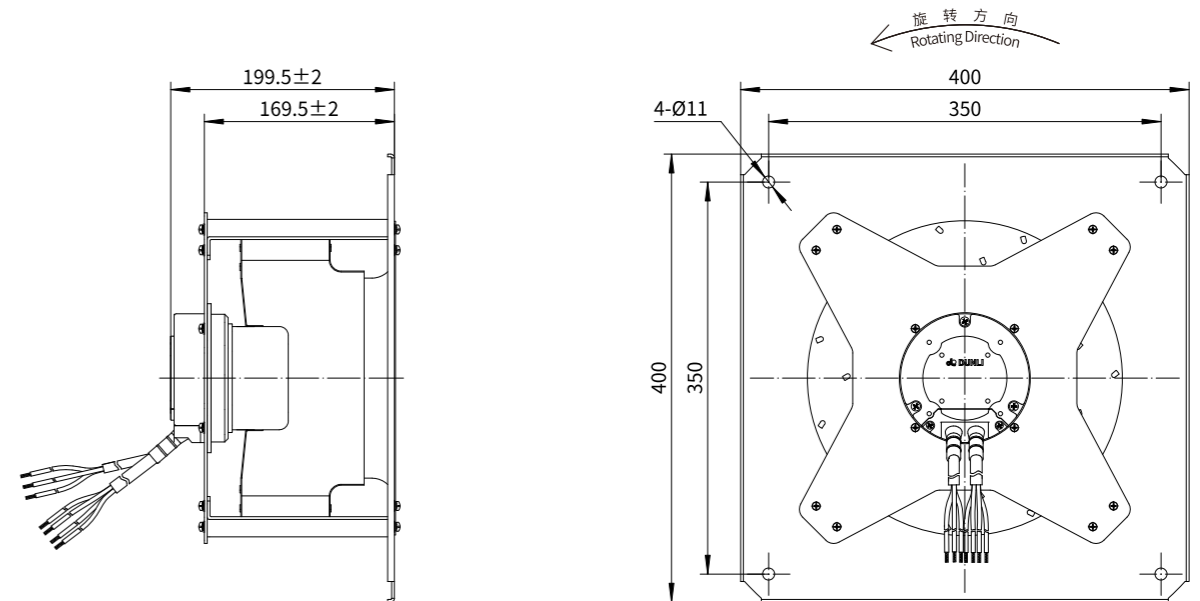
Erp2015 Data:  
 Efficiency  $\eta_{statA}$  = 53.3%  
 Efficiency grade  $N_{actual}$  = 71.6,  $N_{target}$  = 62  
 Test report No. : L-20210302-005-025

产品型号 Model No.	电压 Voltage	频率 Frequency	转速 Speed	输入功率 Input Power	电流 Current	运行温度 Working Temp.	认证 Approvals
	VAC	Hz	RPM	W	A	Min/Max (°C)	
EC92-B280-031	1~220/230	50/60	2500	180	1.40	-20/+60	CCC,CE

后倾离心风机 Motorized Backward Curved Impeller



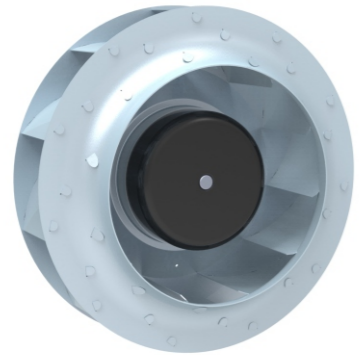
带支架 With Supporting Rack



EC 金属叶轮后倾离心风机  
EC Backward Centrifugal Fan with Metal Impeller

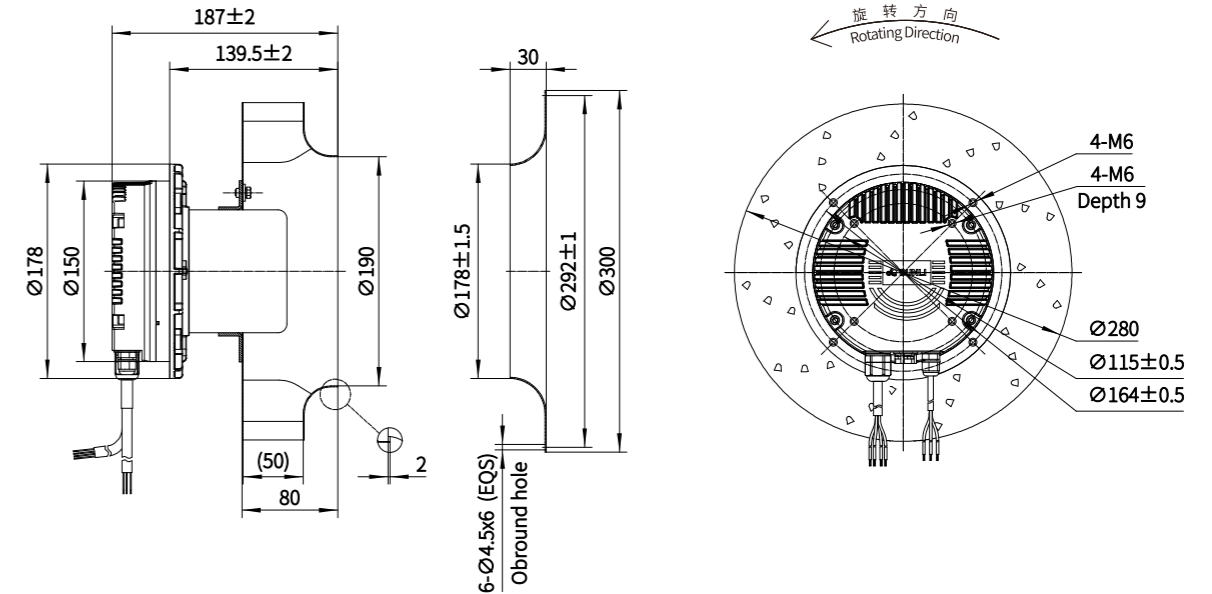
ErP2015  
EXCEEDS THE NORM

后倾离心风机 Motorized Backward Curved Impeller

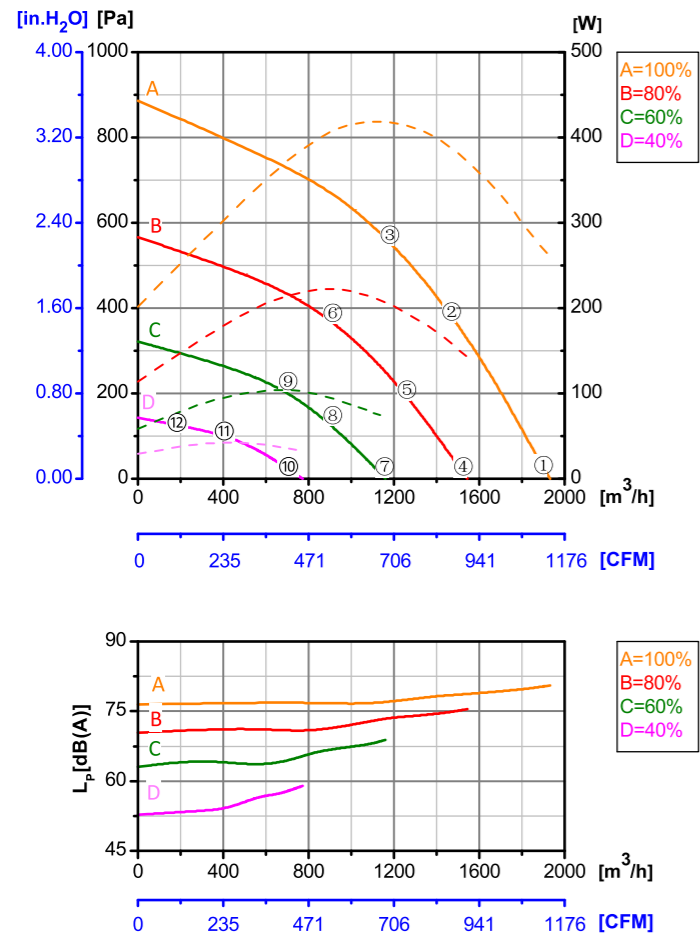


Φ 280-H

转子材质 Rotor Material: 碳钢 Carbon steel  
 叶轮材质 Impeller Material: 镀锌板 Galvanized steel sheet  
 防护等级 Ingress Protection: IP54  
 绝缘等级 Insulation Class: F  
 轴承类型 Bearing Type: 免维护滚珠轴承  
 Maintenance free ball bearing



性能曲线 Performance Curves



测试节点 Test Point	转速 Speed rpm	输入功率 Input Power W
1	3096	260
2	3096	382
3	3097	420
4	2473	142
5	2475	190
6	2477	225
7	1857	72
8	1857	93
9	1857	105
10	1236	33
11	1238	38
12	1238	43

Erp2015 Data:  
 Efficiency  $\eta_{statA}=48.3\%$   
 Efficiency grade  $N_{actual}=62.8, N_{target}=62$   
 Test report No. : L-20210302-005-047

产品型号 Model No.	电压 Voltage	频率 Frequency	转速 Speed	输入功率 Input Power	电流 Current	运行温度 Working Temp.	认证 Approvals
	VAC	Hz	RPM	W	A	Min/Max (°C)	
EC102-B280-002	1~220/230	50/60	3100	350	2.50	-20/+60	CCC,CE



EC 金属叶轮后倾离心风机  
EC Backward Centrifugal Fan with Metal Impeller

ErP2015  
EXCEEDS THE NORM

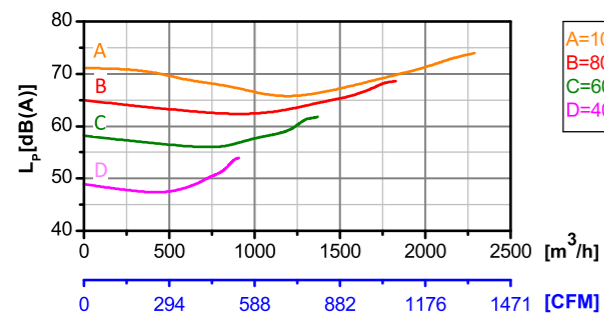
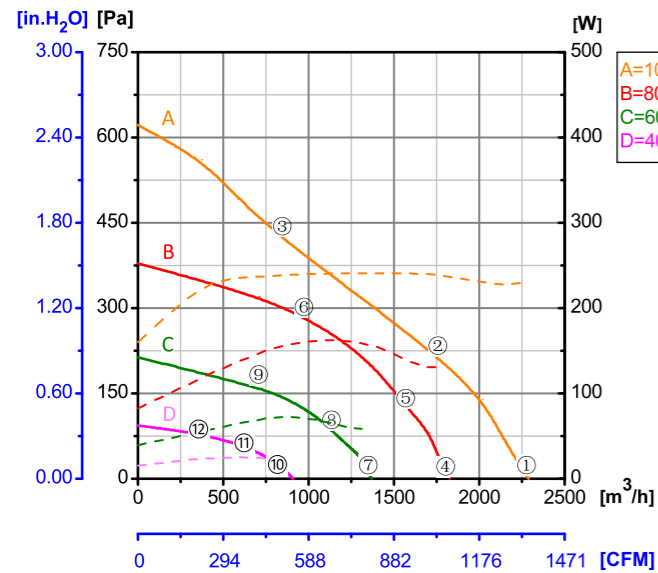
后倾离心风机 Motorized Backward Curved Impeller



Φ 310-L

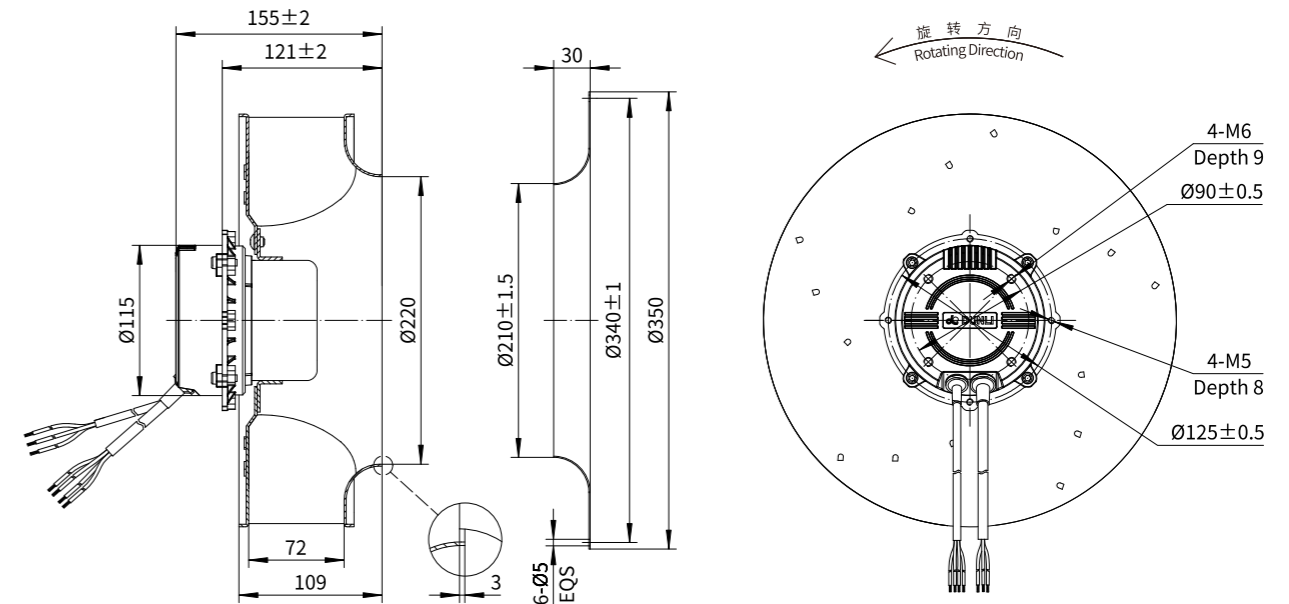
转子材质 Rotor Material: 碳钢 Carbon steel  
 叶轮材质 Impeller Material: 铝合金 Aluminum alloy sheet  
 防护等级 Ingress Protection: IP54  
 绝缘等级 Insulation Class: F  
 轴承类型 Bearing Type: 免维护滚珠轴承  
 Maintenance free ball bearing

性能曲线 Performance Curves



测试节点 Test Point	转速 Speed rpm	输入功率 Input Power W
1	2139	231
2	2011	241
3	1977	240
4	1712	120
5	1713	137
6	1713	162
7	1287	56
8	1287	64
9	1286	72
10	858	20
11	856	22
12	858	25

Erp2015 Data:  
 Efficiency  $\eta_{statA}$  = 54%  
 Efficiency grade  $N_{actual}$  = 71,  $N_{target}$  = 62  
 Test report No. : L-20210302-005-078



产品型号 Model No.	电压 Voltage	频率 Frequency	转速 Speed	输入功率 Input Power	电流 Current	运行温度 Working Temp.	认证 Approvals
	VAC	Hz	RPM	W	A	Min/Max (°C)	
EC92-B310-B20	1~220/230	50/60	2100	230	1.62	-20/+60	CCC,CE

EC 金属叶轮后倾离心风机  
EC Backward Centrifugal Fan with Metal Impeller

ErP2015  
EXCEEDS THE NORM

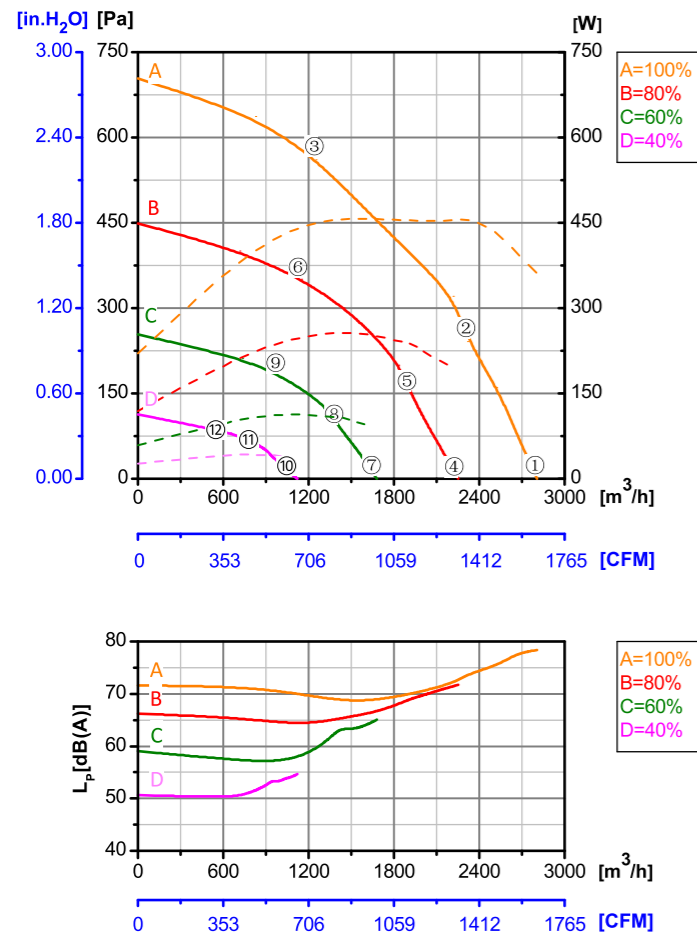
后倾离心风机 Motorized Backward Curved Impeller



Φ 310-H

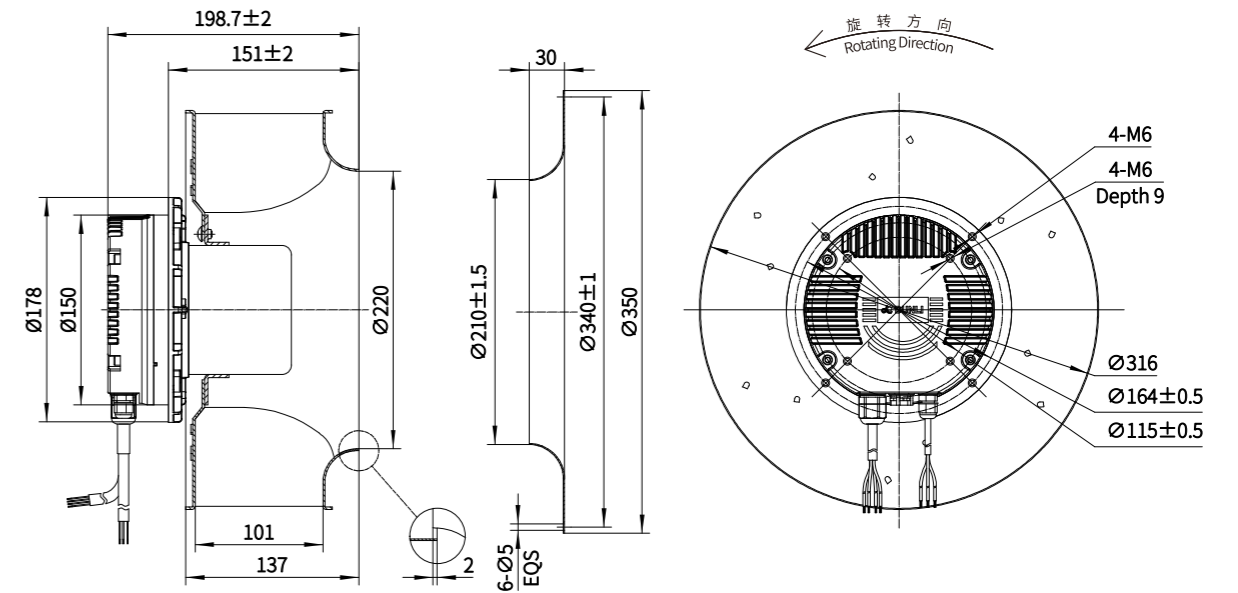
转子材质 Rotor Material: 碳钢 Carbon steel  
 叶轮材质 Impeller Material: 铝合金 Aluminum alloy sheet  
 防护等级 Ingress Protection: IP54  
 绝缘等级 Insulation Class: F  
 轴承类型 Bearing Type: 免维护滚珠球轴承  
 Maintenance free ball bearing

性能曲线 Performance Curves



测试节点 Test Point	转速 Speed rpm	输入功率 Input Power W
1	2303	361
2	2261	459
3	2267	454
4	1844	191
5	1843	240
6	1844	251
7	1381	87
8	1390	110
9	1387	113
10	923	35
11	924	40
12	924	43

Erp2015 Data:  
 Efficiency  $\eta_{statA}$  = 51.8%  
 Efficiency grade  $N_{actual}$  = 65.9,  $N_{target}$  = 62  
 Test report No. : L-20210302-005-049



产品型号 Model No.	电压 Voltage	频率 Frequency	转速 Speed	输入功率 Input Power	电流 Current	运行温度 Working Temp.	认证 Approvals
	VAC	Hz	RPM	W	A	Min/Max (°C)	
EC102-B310-033	1~220/230	50/60	2300	385	1.68	-20/+60	CCC,CE

EC 金属叶轮后倾离心风机  
EC Backward Centrifugal Fan with Metal Impeller

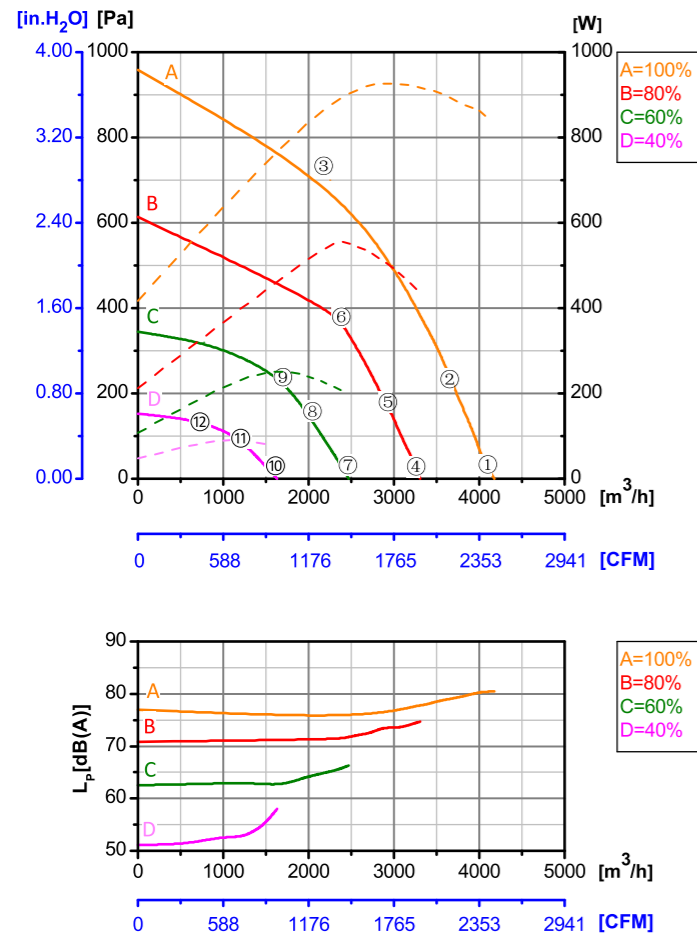
ErP2015  
EXCEEDS THE NORM



Φ 310 (3-phase)

转子材质 Rotor Material: 碳钢 Carbon steel  
 叶轮材质 Impeller Material: 铝合金 Aluminum alloy sheet  
 防护等级 Ingress Protection: IP54  
 绝缘等级 Insulation Class: F  
 轴承类型 Bearing Type: 免维护滚珠球轴承  
 Maintenance free ball bearing

性能曲线 Performance Curves

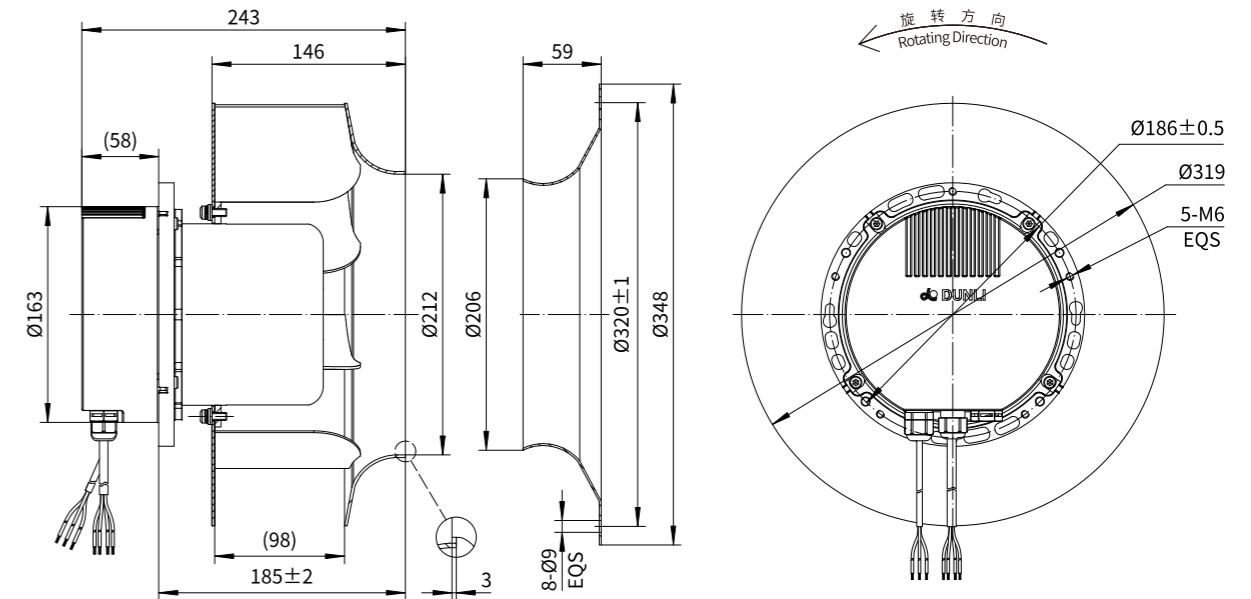


测试节点 Test Point	转速 Speed rpm	输入功率 Input Power W
1	2643	825
2	2584	885
3	2521	914
4	2113	430
5	2119	498
6	2116	555
7	1586	195
8	1587	243
9	1587	252
10	1064	75
11	1058	86
12	1057	89

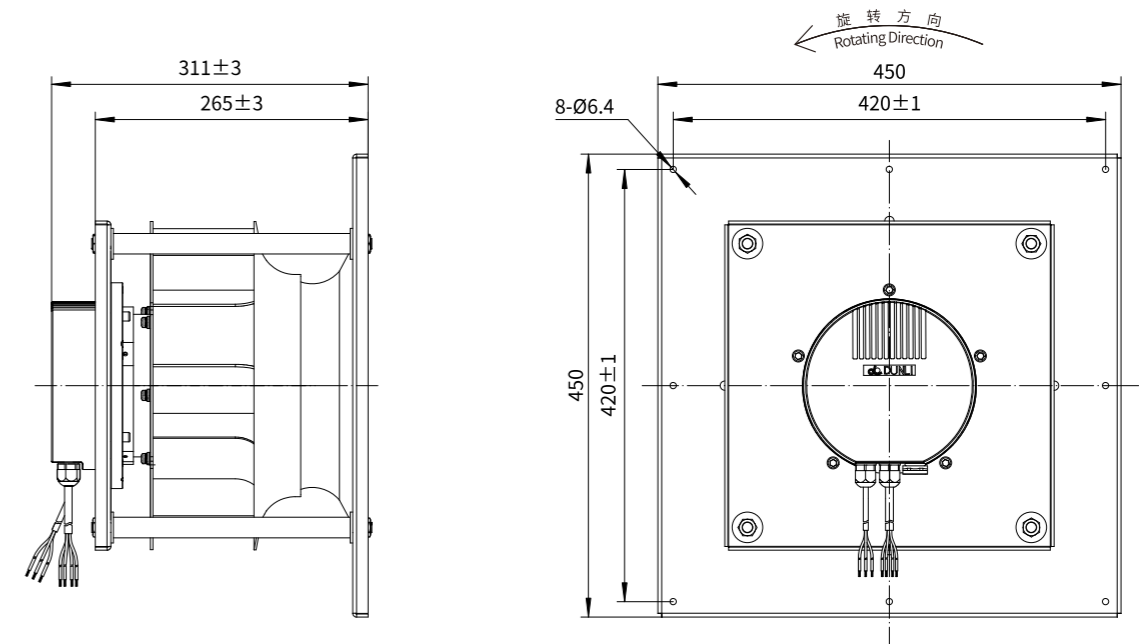
Erp2015 Data:  
 Efficiency  $\eta_{statA}$  = 52.2%  
 Efficiency grade  $N_{actual}$  = 63.1,  $N_{target}$  = 62  
 Test report No. : L-20210302-004-000

产品型号 Model No.	电压 Voltage	频率 Frequency	转速 Speed	输入功率 Input Power	电流 Current	运行温度 Working Temp.	认证 Approvals
	VAC	Hz	RPM	W	A	Min/Max (°C)	
EC137-B310-001	3~380/400	50/60	2700	860	1.5	-20/+60	CCC,CE

后倾离心风机 Motorized Backward Curved Impeller



带支架 With Supporting Rack



EC 金属叶轮后倾离心风机  
EC Backward Centrifugal Fan with Metal Impeller

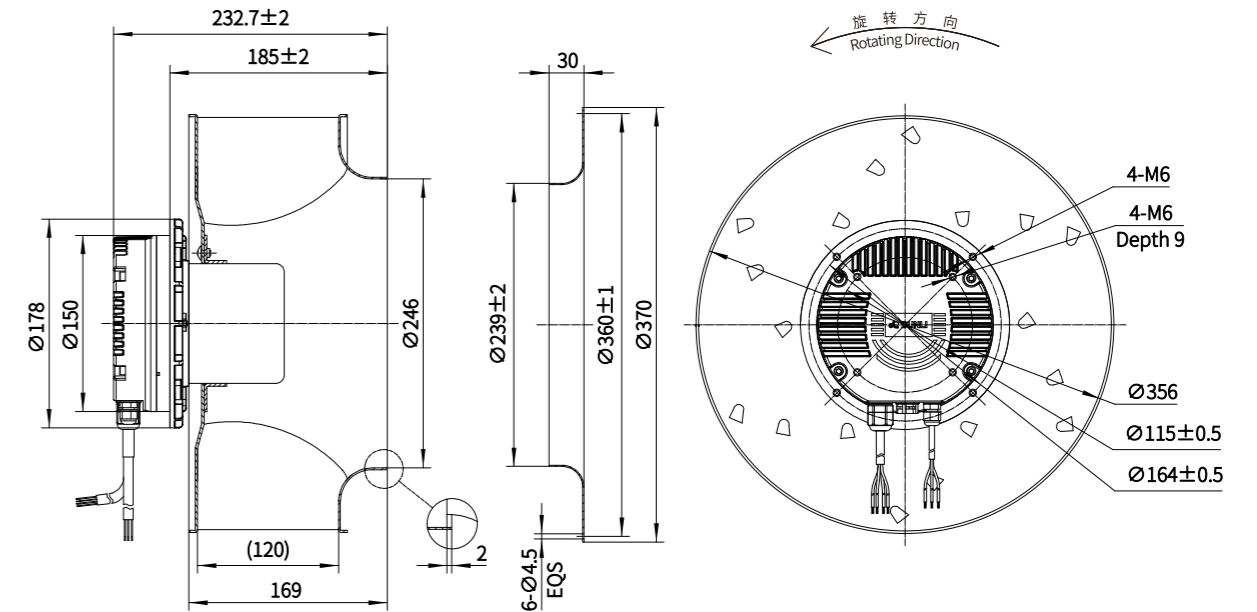
ErP2015  
III EXCEEDS THE NORM

后倾离心风机 Motorized Backward Curved Impeller

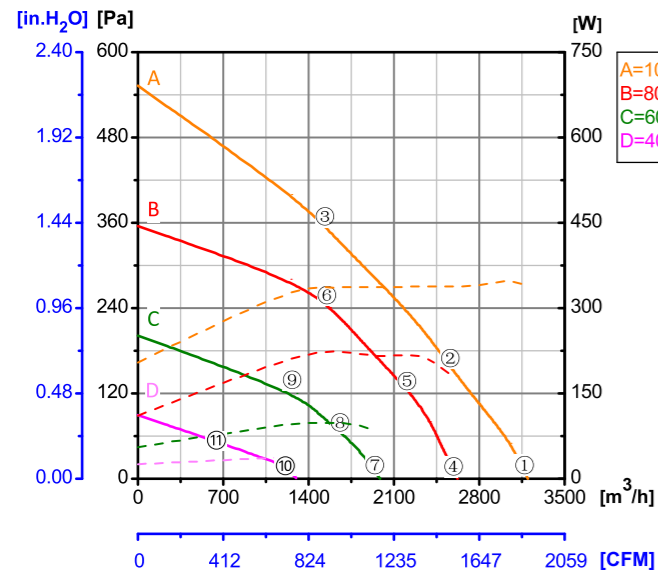


Φ 355-L

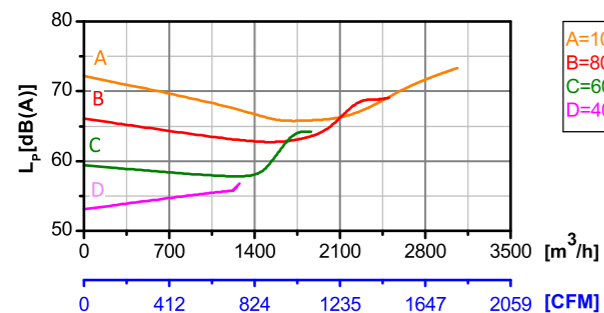
转子材质 Rotor Material: 碳钢 Carbon steel  
 叶轮材质 Impeller Material: 铝合金 Aluminum alloy sheet  
 防护等级 Ingress Protection: IP54  
 绝缘等级 Insulation Class: F  
 轴承类型 Bearing Type: 免维护滚珠球轴承  
 Maintenance free ball bearing



性能曲线 Performance Curves



测试节点 Test Point	转速 Speed rpm	输入功率 Input Power W
1	1772	338
2	1627	337
3	1621	336
4	1418	176
5	1418	220
6	1421	227
7	1068	82
8	1066	99
9	1068	101
10	712	33
11	711	36
12	/	/



Erp2015 Data:  
 Efficiency  $\eta_{statA}$  = 51.1%  
 Efficiency grade  $N_{actual}$  = 66.6,  $N_{target}$  = 62  
 Test report No. : L-20210302-005-051

产品型号 Model No.	电压 Voltage	频率 Frequency	转速 Speed	输入功率 Input Power	电流 Current	运行温度 Working Temp.	认证 Approvals
	VAC	Hz	RPM	W	A	Min/Max (°C)	
EC102-B355-003	1~220/230	50/60	1770	350	1.52	-20/+60	CCC,CE

EC 金属叶轮后倾离心风机  
EC Backward Centrifugal Fan with Metal Impeller

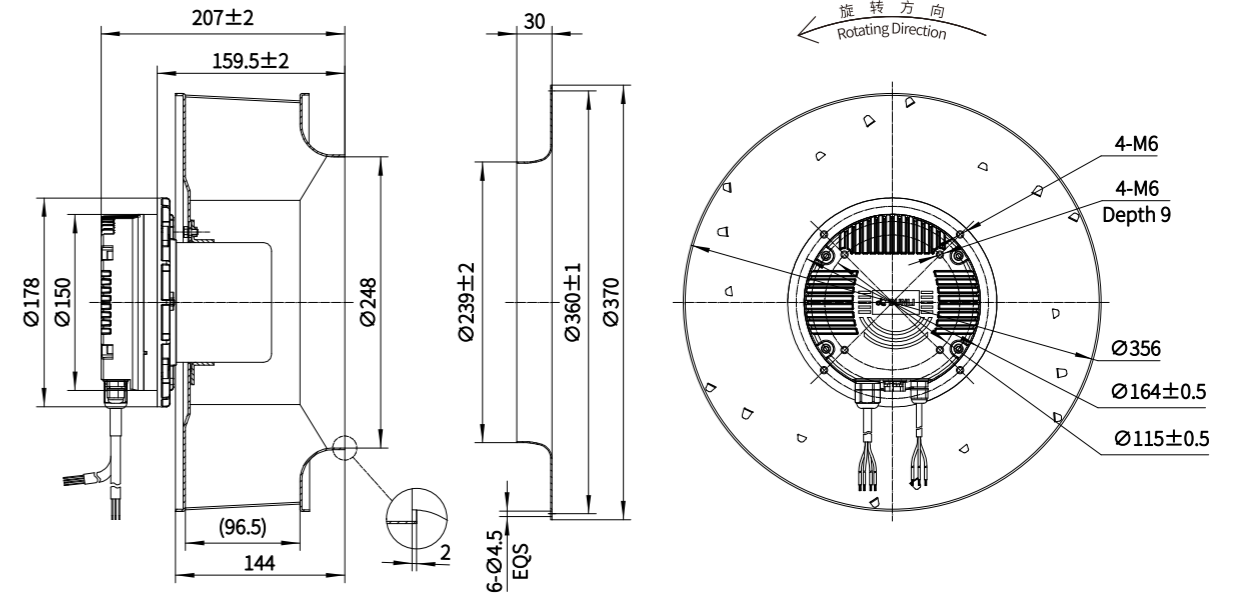
ErP2015  
EXCEEDS THE NORM

后倾离心风机 Motorized Backward Curved Impeller

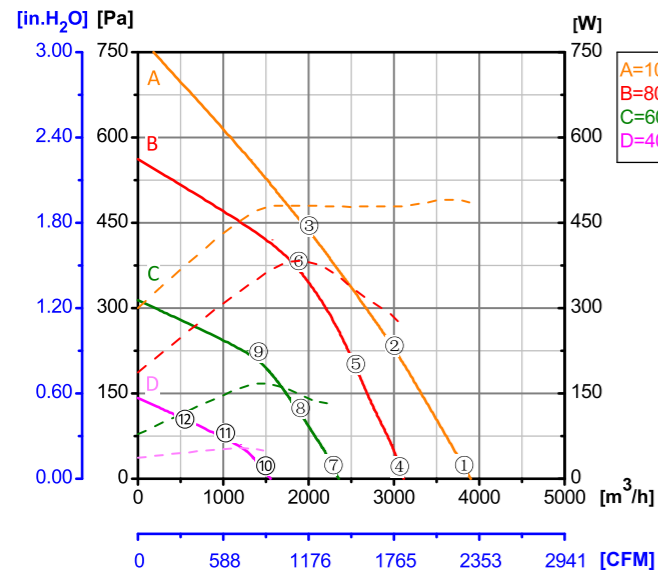


Φ 355-H

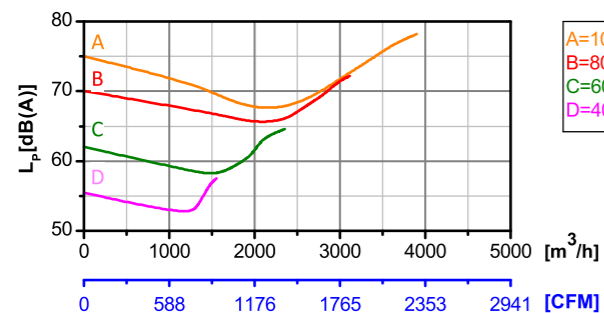
转子材质 Rotor Material: 碳钢 Carbon steel  
 叶轮材质 Impeller Material: 铝合金 Aluminum alloy sheet  
 防护等级 Ingress Protection: IP54  
 绝缘等级 Insulation Class: F  
 轴承类型 Bearing Type: 免维护滚珠球轴承  
 Maintenance free ball bearing



性能曲线 Performance Curves



测试节点 Test Point	转速 Speed rpm	输入功率 Input Power W
1	2279	486
2	2129	477
3	1968	480
4	1825	263
5	1820	321
6	1825	386
7	1367	118
8	1367	144
9	1372	168
10	910	46
11	911	51
12	913	52



Erp2015 Data:  
 Efficiency  $\eta_{statA}$  = 56.4%  
 Efficiency grade N<sub>actual</sub> = 70.2, N<sub>target</sub> = 62  
 Test report No. : L-20210302-005-050

产品型号 Model No.	电压 Voltage VAC	频率 Frequency Hz	转速 Speed RPM	输入功率 Input Power W	电流 Current A	运行温度 Working Temp. Min/Max (°C)	认证 Approvals
EC102-B355-039	1~220/230	50/60	2100	440	1.90	-20/+60	CCC,CE

EC 金属叶轮后倾离心风机  
EC Backward Centrifugal Fan with Metal Impeller

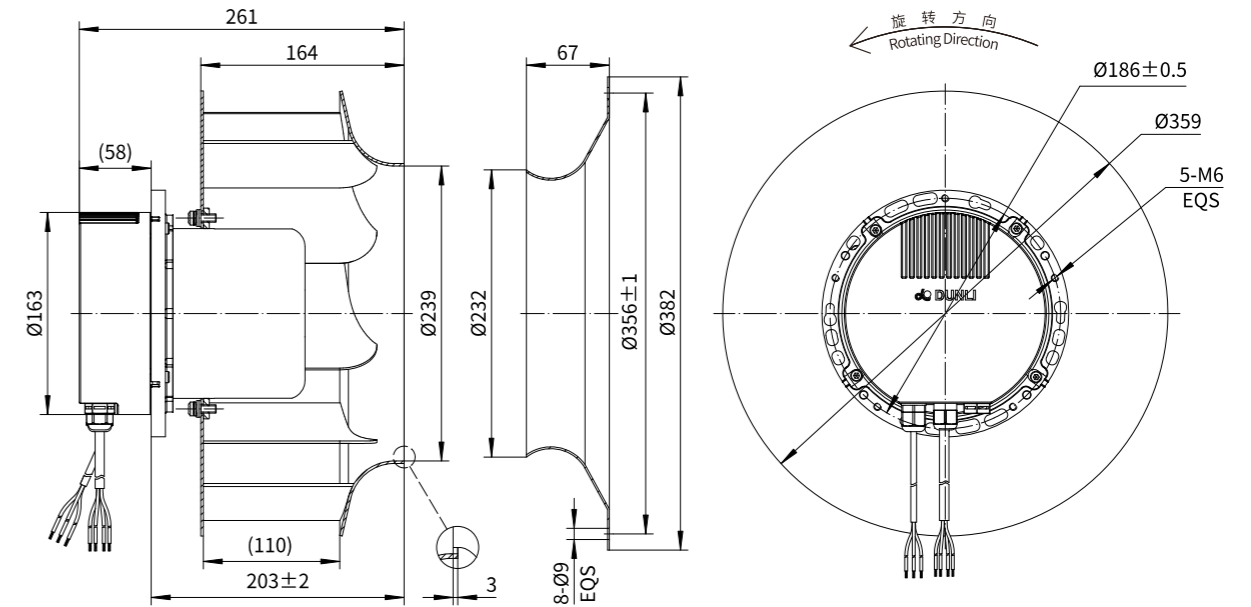
ErP2015  
EXCEEDS THE NORM

后倾离心风机 Motorized Backward Curved Impeller

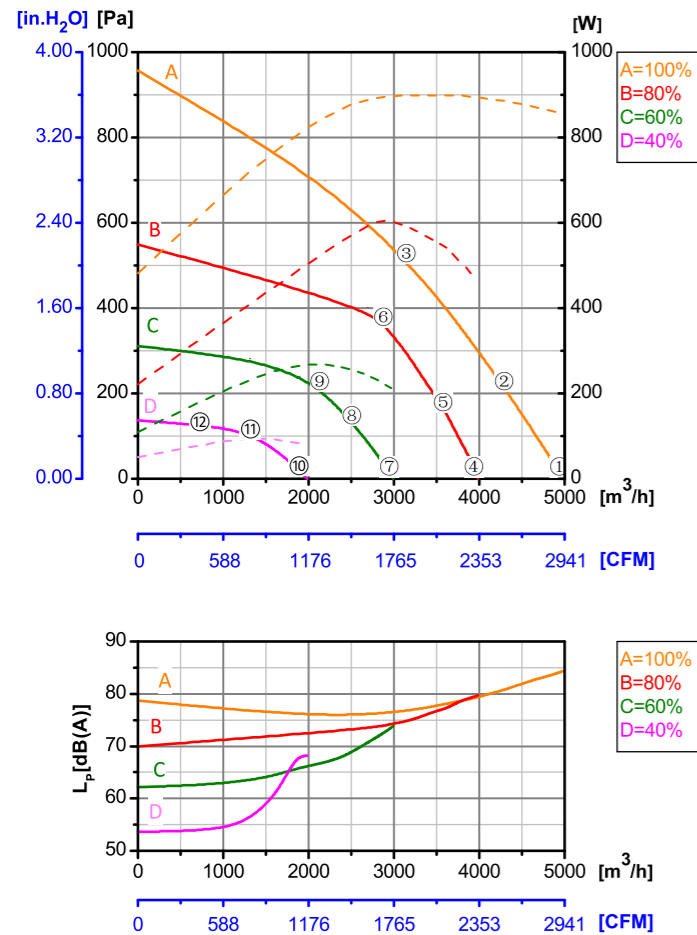


Φ 355 (3-phase)

转子材质 Rotor Material: 碳钢 Carbon steel  
 叶轮材质 Impeller Material: 铝合金 Aluminum alloy sheet  
 防护等级 Ingress Protection: IP54  
 绝缘等级 Insulation Class: F  
 轴承类型 Bearing Type: 免维护滚珠球轴承  
 Maintenance free ball bearing



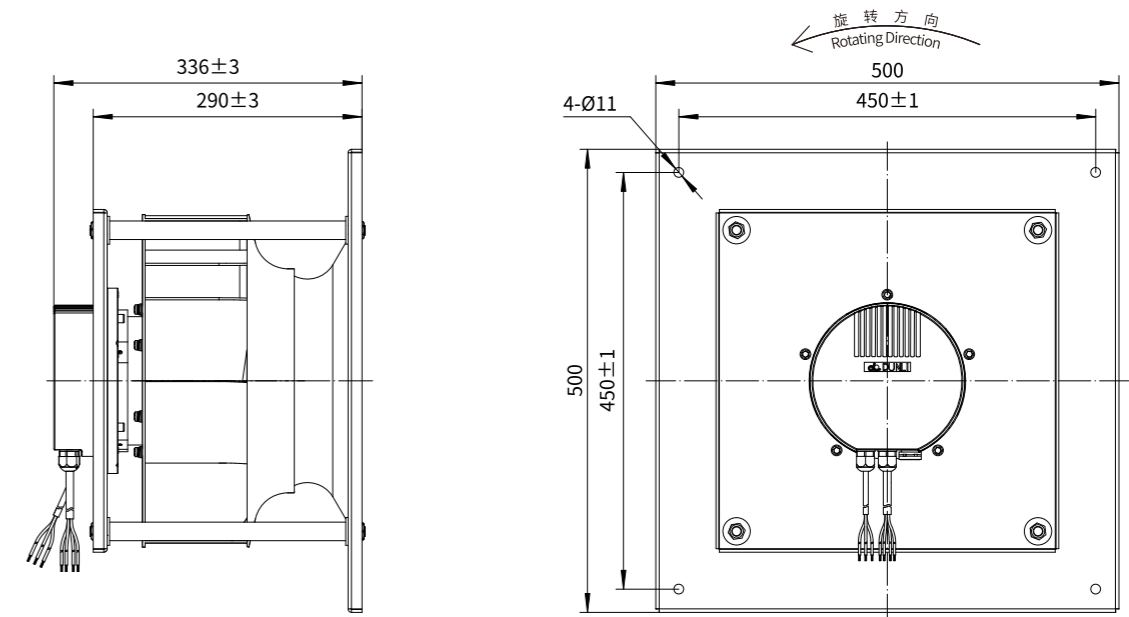
性能曲线 Performance Curves



测试节点 Test Point	转速 Speed rpm	输入功率 Input Power W
1	2184	858
2	2086	885
3	2003	901
4	1743	457
5	1747	543
6	1746	604
7	1313	210
8	1314	253
9	1312	269
10	875	77
11	875	87
12	875	95

Erp2015 Data:  
 Efficiency  $\eta_{statA}$  = 53.8%  
 Efficiency grade  $N_{actual}$  = 64.7,  $N_{target}$  = 62  
 Test report No. : L-20210302-005-063

带支架 With Supporting Rack



产品型号 Model No.	电压 Voltage	频率 Frequency	转速 Speed	输入功率 Input Power	电流 Current	运行温度 Working Temp.	认证 Approvals
	VAC	Hz	RPM	W	A	Min/Max (°C)	
EC137-B355-002	3~380/400	50/60	2280	840	1.35	-20/+60	CCC,CE

EC 金属叶轮后倾离心风机  
EC Backward Centrifugal Fan with Metal Impeller

ErP2015  
EXCEEDS THE NORM

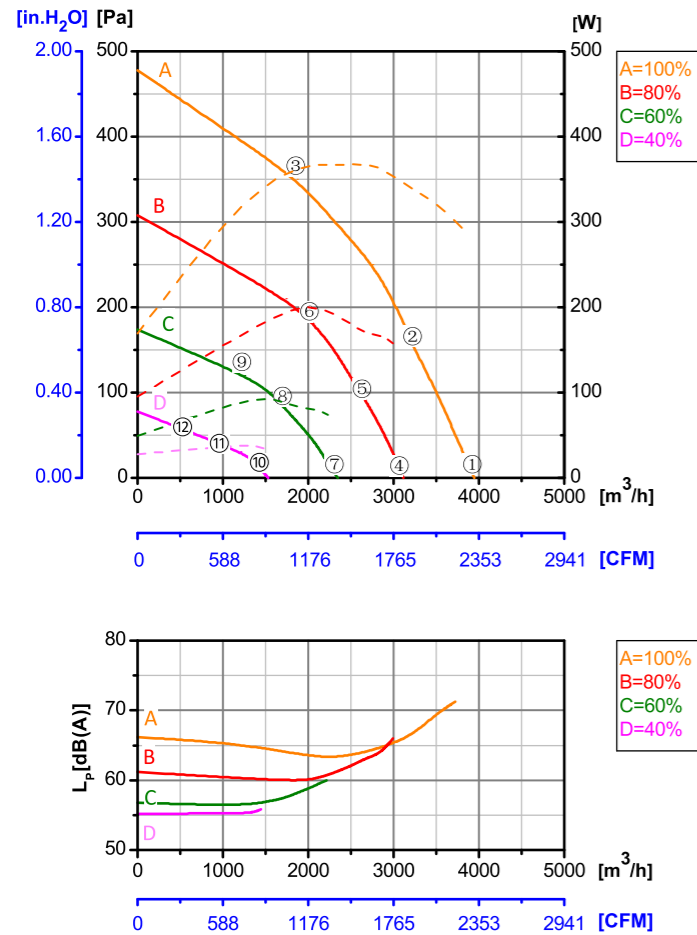
后倾离心风机 Motorized Backward Curved Impeller



Φ 400-L

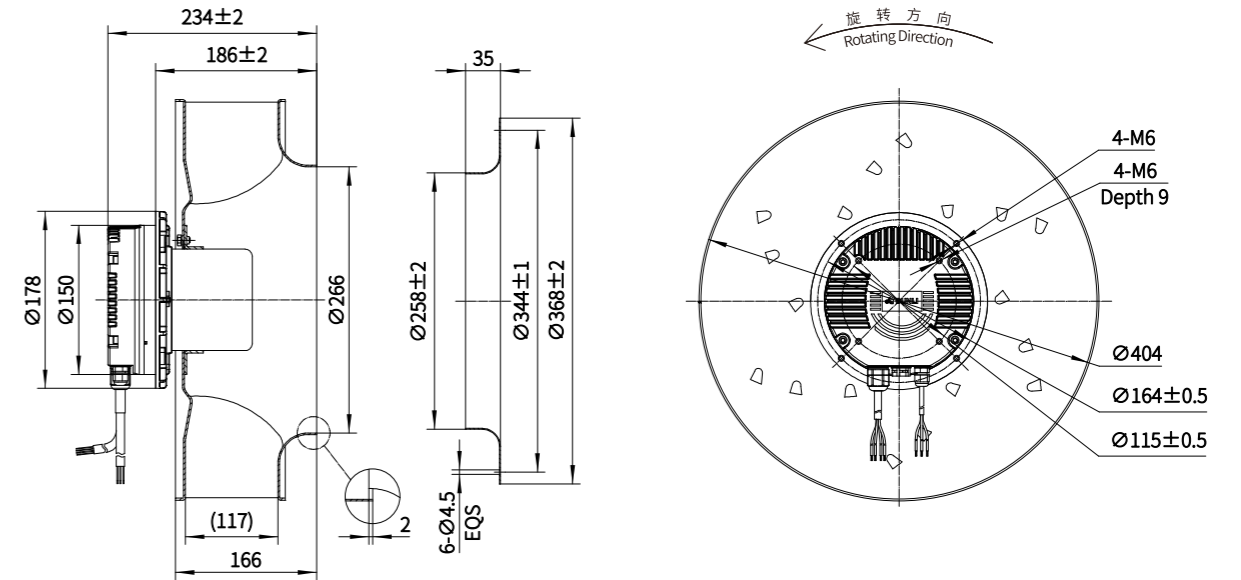
转子材质 Rotor Material: 碳钢 Carbon steel  
 叶轮材质 Impeller Material: 铝合金 Aluminum alloy sheet  
 防护等级 Ingress Protection: IP54  
 绝缘等级 Insulation Class: F  
 轴承类型 Bearing Type: 免维护滚珠球轴承  
 Maintenance free ball bearing

性能曲线 Performance Curves



测试节点 Test Point	转速 Speed rpm	输入功率 Input Power W
1	1396	276
2	1402	322
3	1382	370
4	1119	146
5	1117	170
6	1119	201
7	841	70
8	839	88
9	843	92
10	563	33
11	562	38
12	562	39

Erp2015 Data:  
 Efficiency  $\eta_{statA}$  = 59.0%  
 Efficiency grade  $N_{actual}$  = 74.1,  $N_{target}$  = 62  
 Test report No. : L-20210302-005-088



产品型号 Model No.	电压 Voltage	频率 Frequency	转速 Speed	输入功率 Input Power	电流 Current	运行温度 Working Temp.	认证 Approvals
	VAC	Hz	RPM	W	A	Min/Max (°C)	
EC102-B400-003	1~220/230	50/60	1400	350	1.55	-20/+60	CCC,CE

EC 金属叶轮后倾离心风机  
EC Backward Centrifugal Fan with Metal Impeller

ErP2015  
EXCEEDS THE NORM

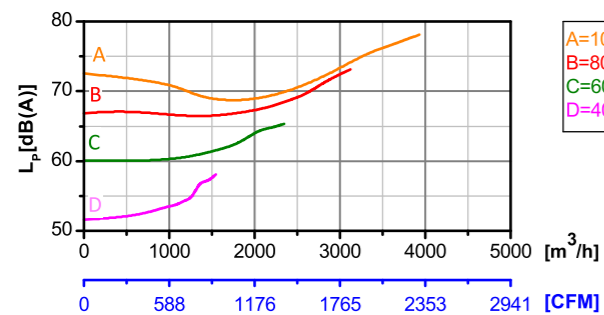
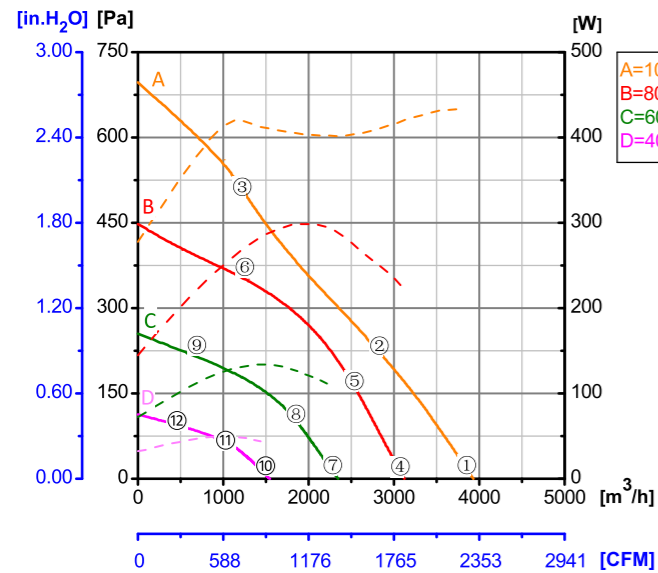
后倾离心风机 Motorized Backward Curved Impeller



Φ 400-H

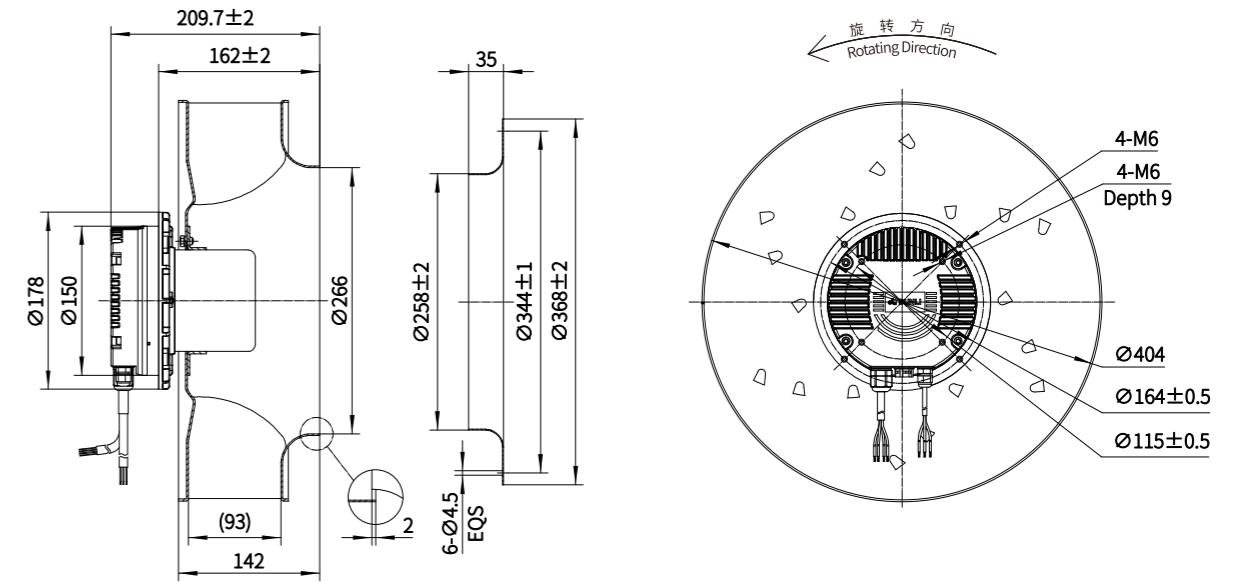
转子材质 Rotor Material: 碳钢 Carbon steel  
 叶轮材质 Impeller Material: 铝合金 Aluminum alloy sheet  
 防护等级 Ingress Protection: IP54  
 绝缘等级 Insulation Class: F  
 轴承类型 Bearing Type: 免维护滚珠球轴承  
 Maintenance free ball bearing

性能曲线 Performance Curves



测试节点 Test Point	转速 Speed rpm	输入功率 Input Power W
1	1687	433
2	1547	412
3	1560	415
4	1348	221
5	1350	268
6	1350	279
7	1014	105
8	1016	125
9	1015	118
10	675	42
11	676	48
12	675	50

Erp2015 Data:  
 Efficiency  $\eta_{statA}$  = 54.8%  
 Efficiency grade  $N_{actual}$  = 69.5,  $N_{target}$  = 62  
 Test report No. : L-20210302-005-052



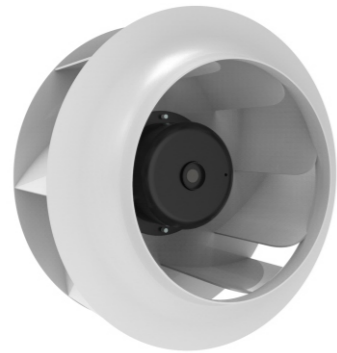
产品型号 Model No.	电压 Voltage	频率 Frequency	转速 Speed	输入功率 Input Power	电流 Current	运行温度 Working Temp.	认证 Approvals
	VAC	Hz	RPM	W	A	Min/Max (°C)	
EC102-B400-040	1~220/230	50/60	1670	460	2.00	-20/+60	CCC,CE



EC 金属叶轮后倾离心风机  
EC Backward Centrifugal Fan with Metal Impeller

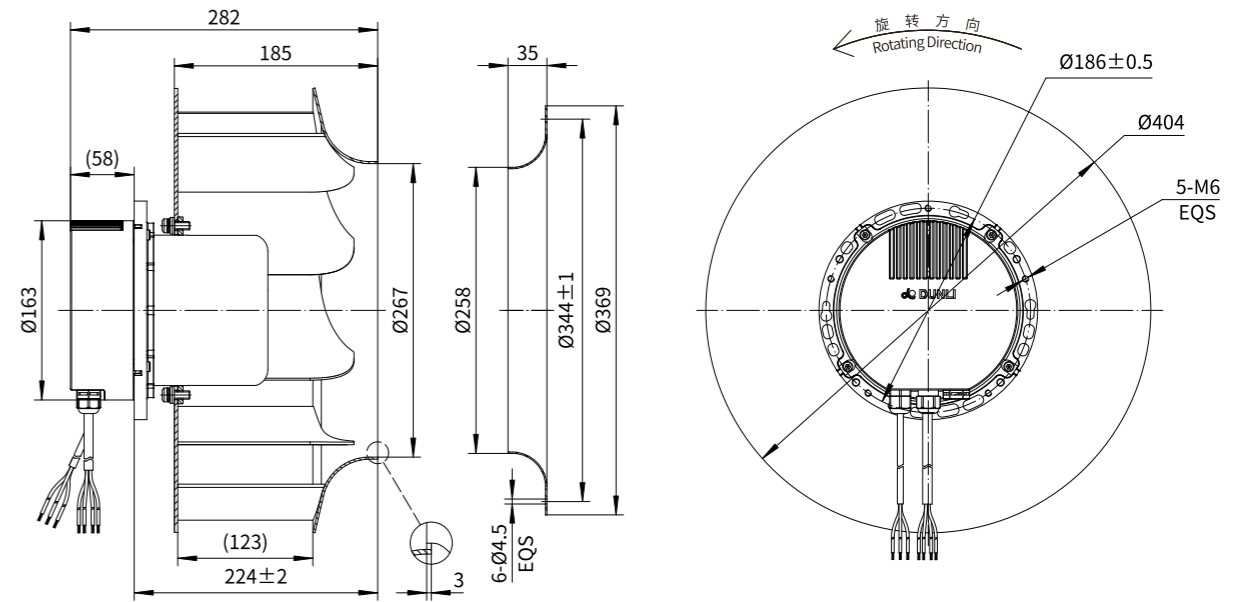
ErP2015  
EXCEEDS THE NORM

后倾离心风机 Motorized Backward Curved Impeller

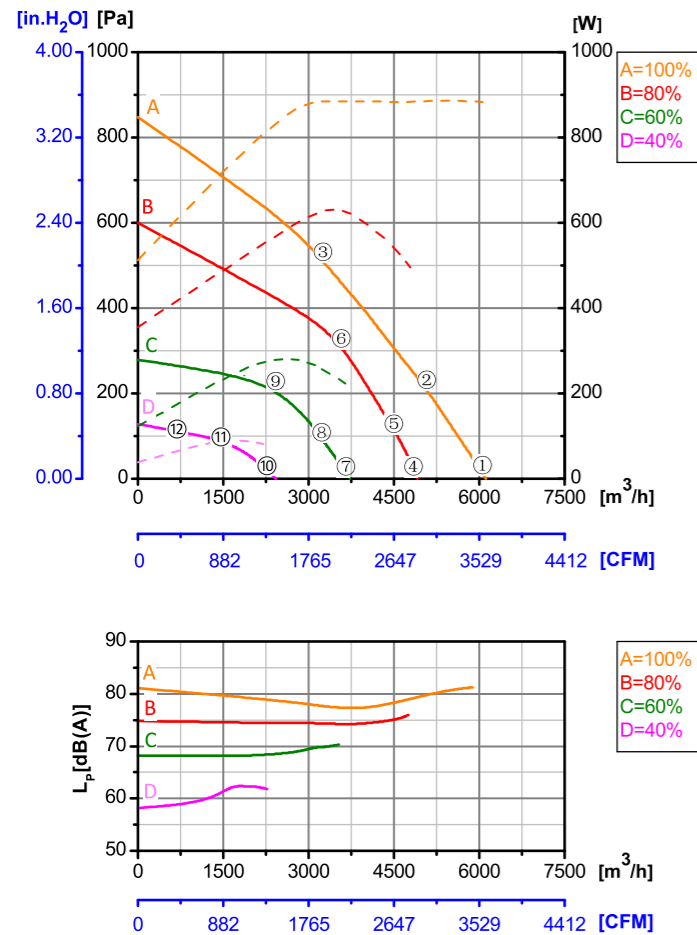


Φ 400 (3-phase)

转子材质 Rotor Material: 碳钢 Carbon steel  
 叶轮材质 Impeller Material: 铝合金 Aluminum alloy sheet  
 防护等级 Ingress Protection: IP54  
 绝缘等级 Insulation Class: F  
 轴承类型 Bearing Type: 免维护滚珠球轴承  
 Maintenance free ball bearing



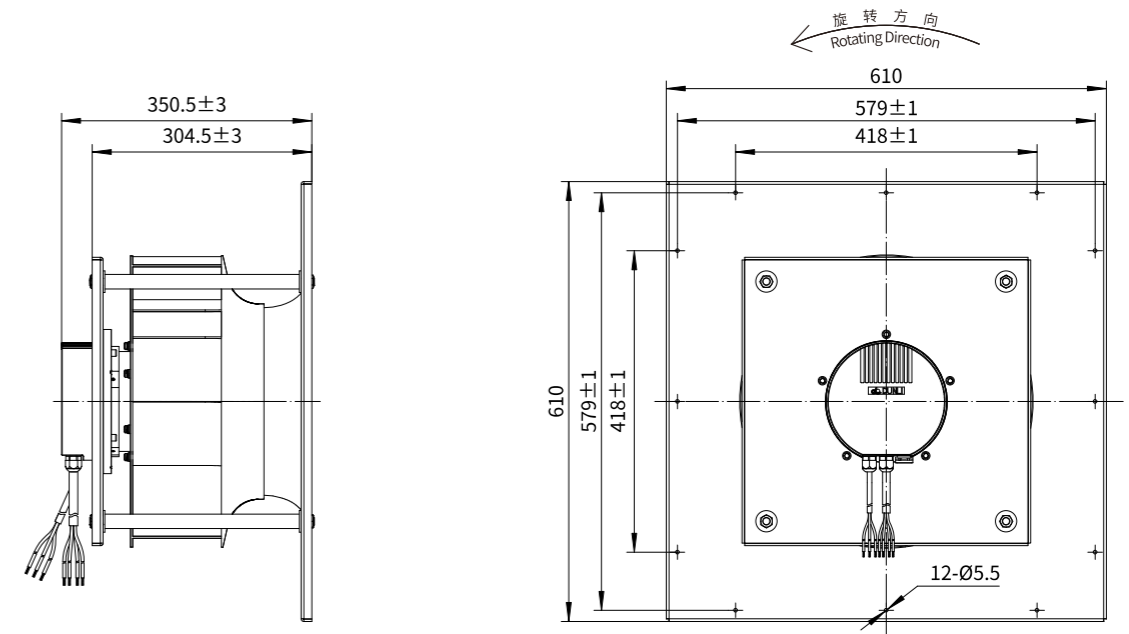
性能曲线 Performance Curves



测试节点 Test Point	转速 Speed rpm	输入功率 Input Power W
1	1895	883
2	1770	885
3	1712	885
4	1515	469
5	1511	535
6	1516	632
7	1140	215
8	1142	251
9	1144	283
10	746	73
11	745	88
12	747	86

Erp2015 Data:  
 Efficiency  $\eta_{statA}$  = 56.8%  
 Efficiency grade  $N_{actual}$  = 67.9,  $N_{target}$  = 62  
 Test report No. : L-20210302-003-065

带支架 With Supporting Rack



产品型号 Model No.	电压 Voltage	频率 Frequency	转速 Speed	输入功率 Input Power	电流 Current	运行温度 Working Temp.	认证 Approvals
	VAC	Hz	RPM	W	A	Min/Max (°C)	
EC137-B400-001	3~380/400	50/60	2000	950	1.65	-20/+60	CCC,CE

EC 金属叶轮后倾离心风机  
EC Backward Centrifugal Fan with Metal Impeller

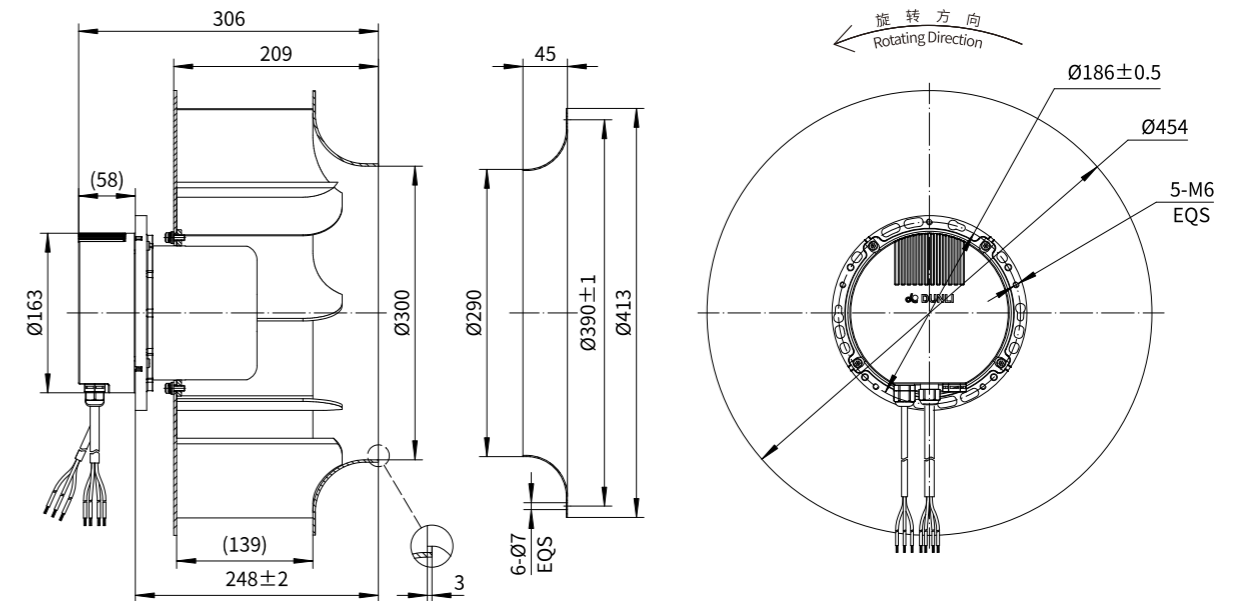
ErP2015  
III EXCEEDS THE NORM

后倾离心风机 Motorized Backward Curved Impeller

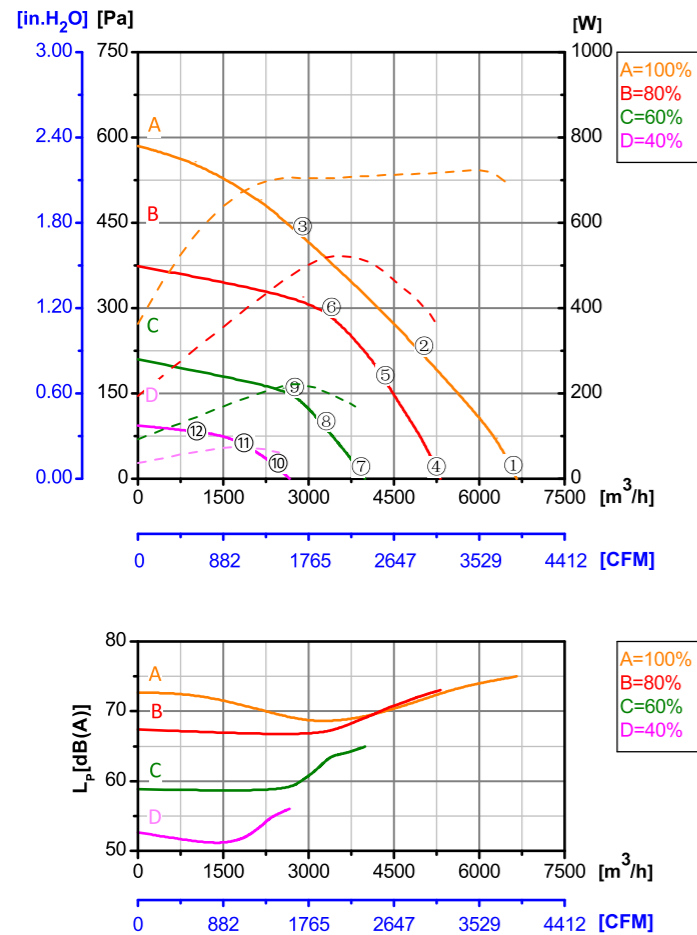


Φ 450

转子材质 Rotor Material: 碳钢 Carbon steel  
 叶轮材质 Impeller Material: 铝合金 Aluminum alloy sheet  
 防护等级 Ingress Protection: IP54  
 绝缘等级 Insulation Class: F  
 轴承类型 Bearing Type: 免维护滚珠球轴承  
 Maintenance free ball bearing



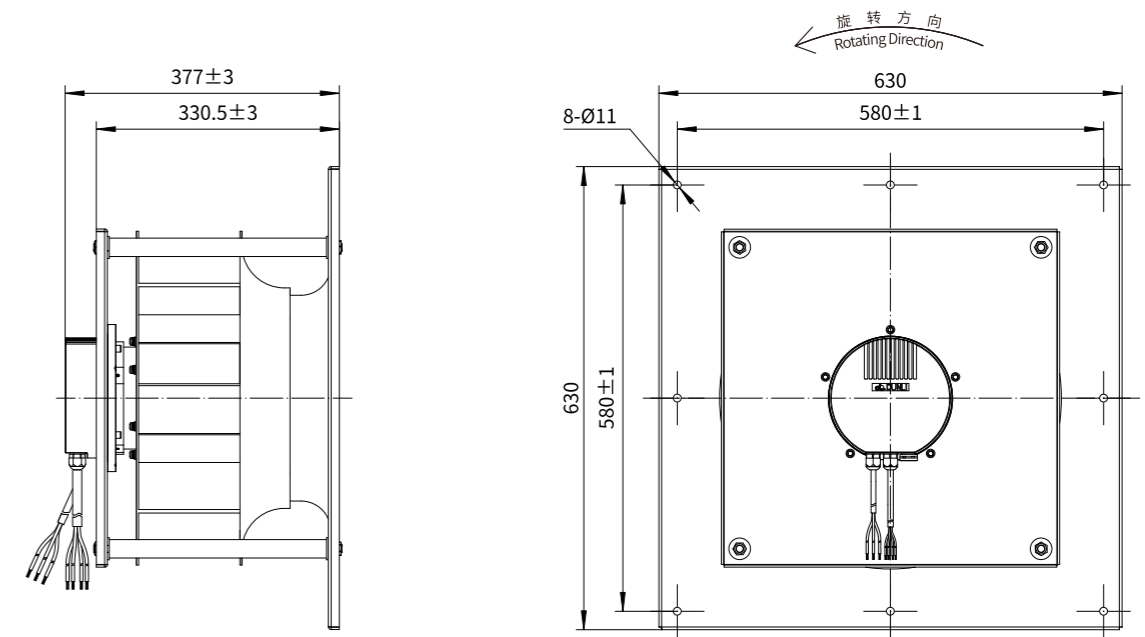
性能曲线 Performance Curves



测试节点 Test Point	转速 Speed rpm	输入功率 Input Power W
1	1453	661
2	1334	714
3	1310	704
4	1164	346
5	1169	474
6	1168	524
7	874	155
8	873	199
9	874	222
10	582	57
11	578	66
12	581	74

Erp2015 Data:  
 Efficiency  $\eta_{statA}$  = 56.3%  
 Efficiency grade  $N_{actual}$  = 68.5,  $N_{target}$  = 62  
 Test report No. : L-20210302-005-068

带支架 With Supporting Rack



产品型号 Model No.	电压 Voltage	频率 Frequency	转速 Speed	输入功率 Input Power	电流 Current	运行温度 Working Temp.	认证 Approvals
	VAC	Hz	RPM	W	A	Min/Max (°C)	
EC137-B450-002	1~220/230	50/60	1450	600	3.70	-20/+60	CCC,CE

EC 金属叶轮后倾离心风机  
EC Backward Centrifugal Fan with Metal Impeller

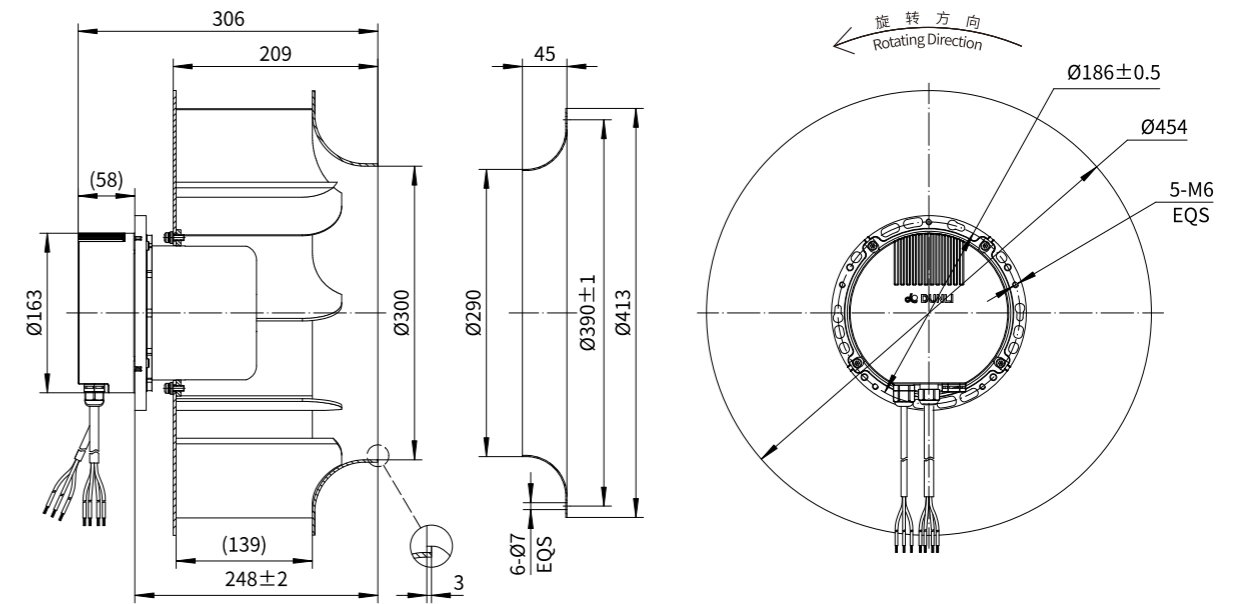
ErP2015  
III EXCEEDS THE NORM

后倾离心风机 Motorized Backward Curved Impeller

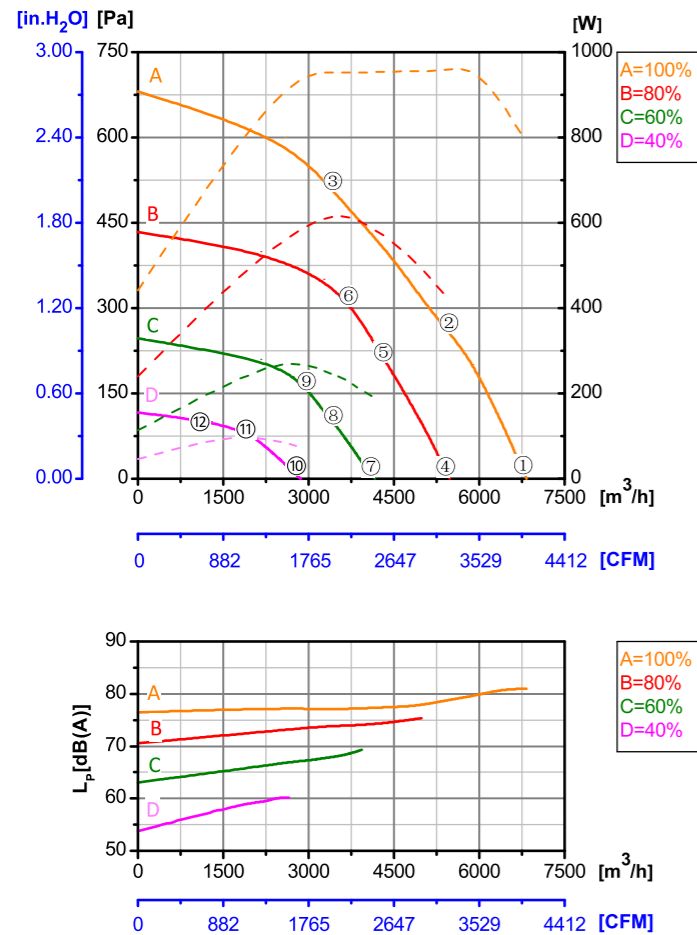


Φ 450 (3-phase)

转子材质 Rotor Material: 碳钢 Carbon steel  
 叶轮材质 Impeller Material: 铝合金 Aluminum alloy sheet  
 防护等级 Ingress Protection: IP54  
 绝缘等级 Insulation Class: F  
 轴承类型 Bearing Type: 免维护滚珠球轴承  
 Maintenance free ball bearing



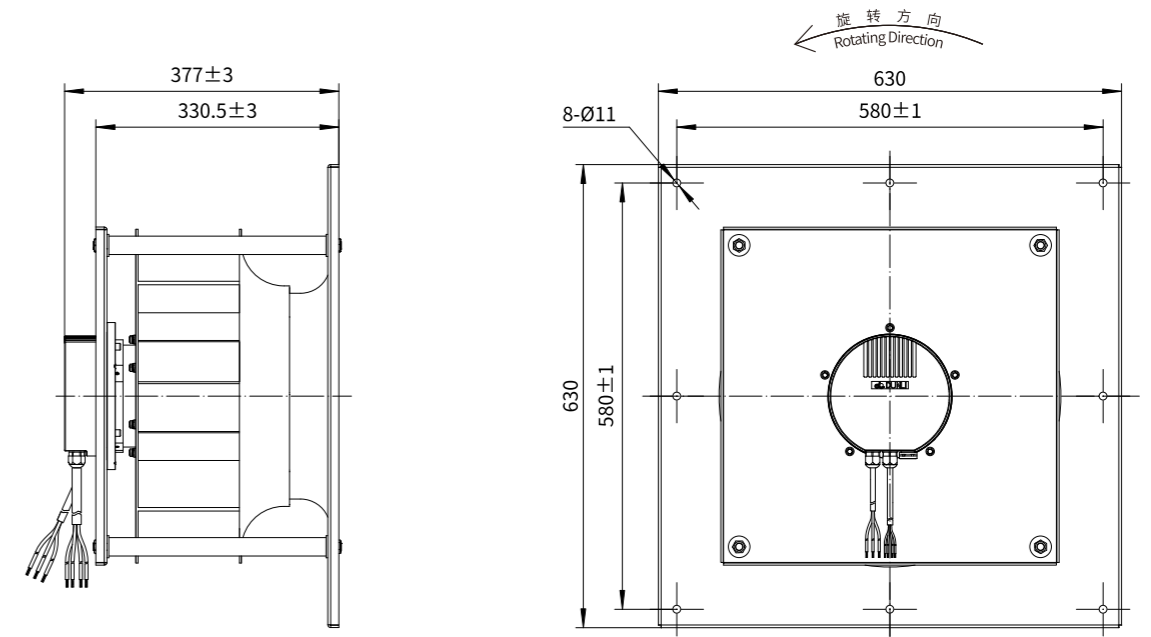
性能曲线 Performance Curves



测试节点 Test Point	转速 Speed rpm	输入功率 Input Power W
1	1556	788
2	1515	960
3	1448	951
4	1243	416
5	1246	566
6	1248	615
7	940	189
8	943	242
9	940	264
10	643	73
11	642	88
12	643	98

Erp2015 Data:  
 Efficiency  $\eta_{statA}$  = 55.5%  
 Efficiency grade  $N_{actual}$  = 66.2,  $N_{target}$  = 62  
 Test report No. : L-20210302-005-067

带支架 With Supporting Rack



产品型号 Model No.	电压 Voltage	频率 Frequency	转速 Speed	输入功率 Input Power	电流 Current	运行温度 Working Temp.	认证 Approvals
	VAC	Hz	RPM	W	A	Min/Max (°C)	
EC137-B450-001	3~380/400	50/60	1560	820	1.70	-20/+60	CCC,CE

EC 金属叶轮后倾离心风机  
EC Backward Centrifugal Fan with Metal Impeller

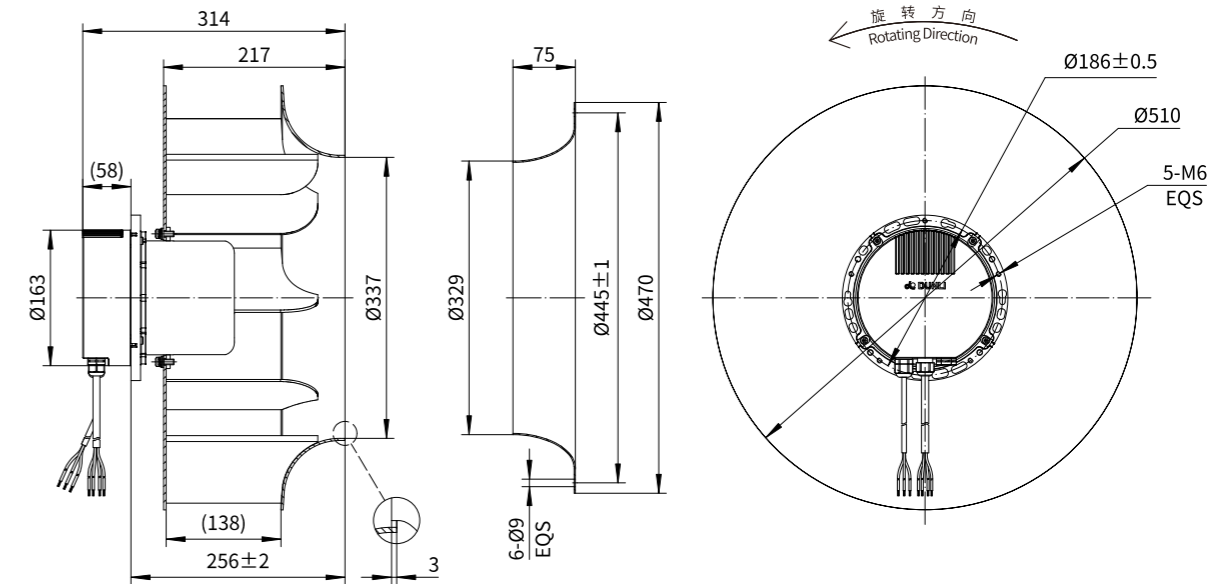
ErP2015  
III EXCEEDS THE NORM

后倾离心风机 Motorized Backward Curved Impeller

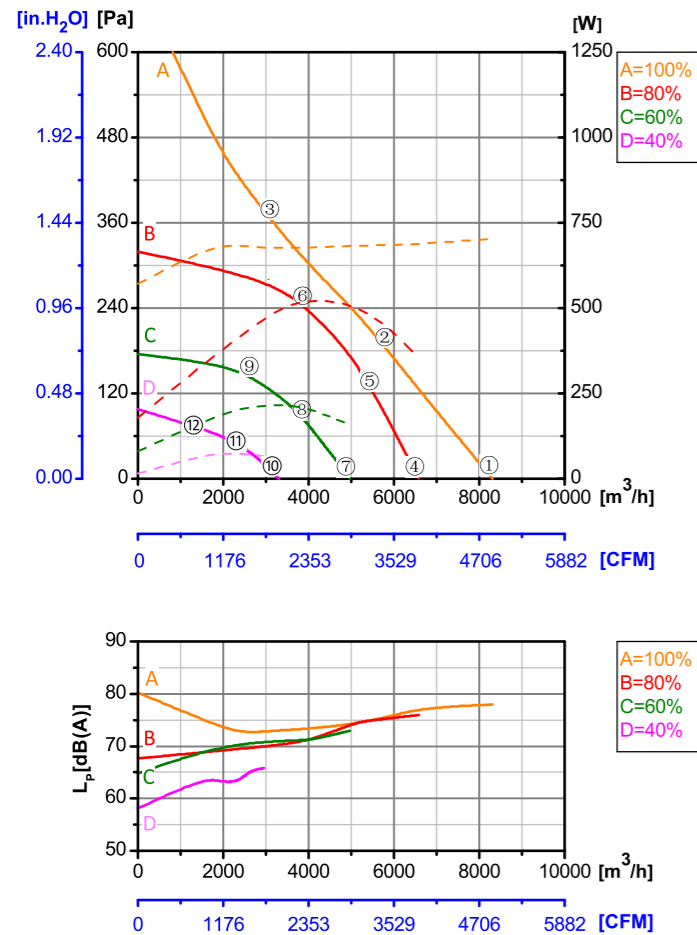


Φ 500

转子材质 Rotor Material: 碳钢 Carbon steel  
 叶轮材质 Impeller Material: 铝合金 Aluminum alloy sheet  
 防护等级 Ingress Protection: IP54  
 绝缘等级 Insulation Class: F  
 轴承类型 Bearing Type: 免维护滚珠球轴承  
 Maintenance free ball bearing



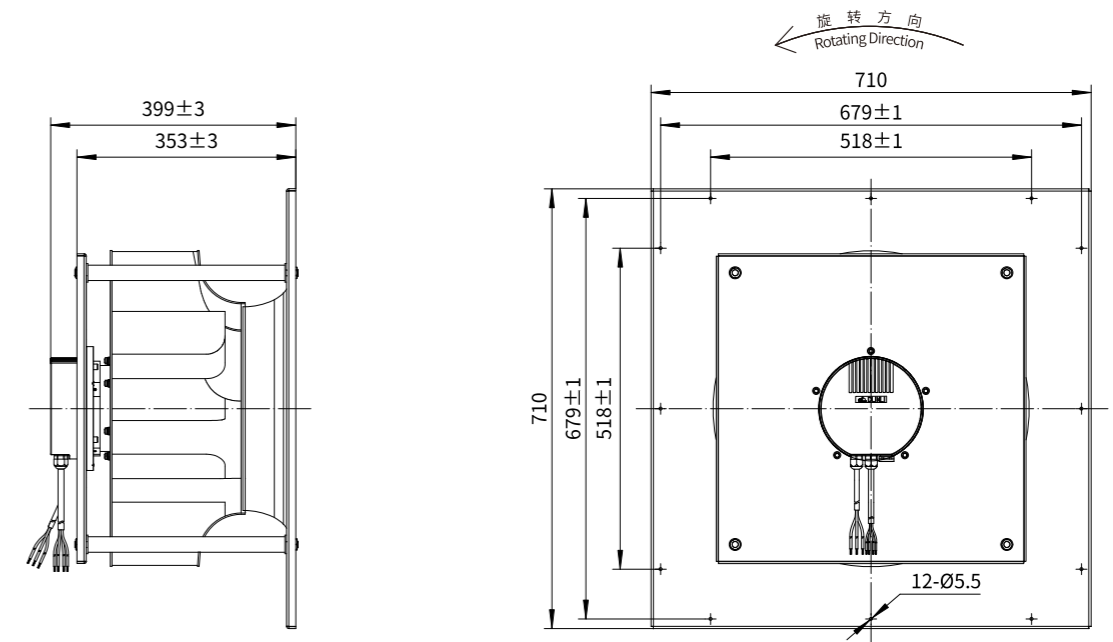
性能曲线 Performance Curves



测试节点 Test Point	转速 Speed rpm	输入功率 Input Power W
1	1218	704
2	1089	685
3	1093	676
4	976	353
5	978	473
6	980	525
7	731	157
8	730	205
9	729	212
10	493	57
11	493	69
12	492	73

Erp2015 Data:  
 Efficiency  $\eta_{statA} = 54.5\%$   
 Efficiency grade  $N_{actual} = 66.8, N_{target} = 62$   
 Test report No. : L-20210302-005-070

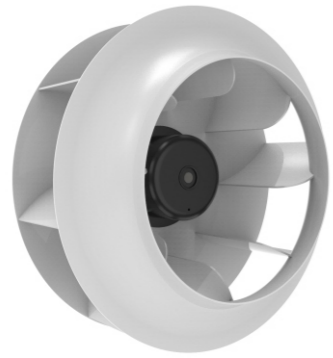
带支架 With Supporting Rack



产品型号 Model No.	电压 Voltage	频率 Frequency	转速 Speed	输入功率 Input Power	电流 Current	运行温度 Working Temp.	认证 Approvals
	VAC	Hz	RPM	W	A	Min/Max (°C)	
EC137-B500-002	1~220/230	50/60	1250	720	4.40	-20/+60	CCC,CE

EC 金属叶轮后倾离心风机  
EC Backward Centrifugal Fan with Metal Impeller

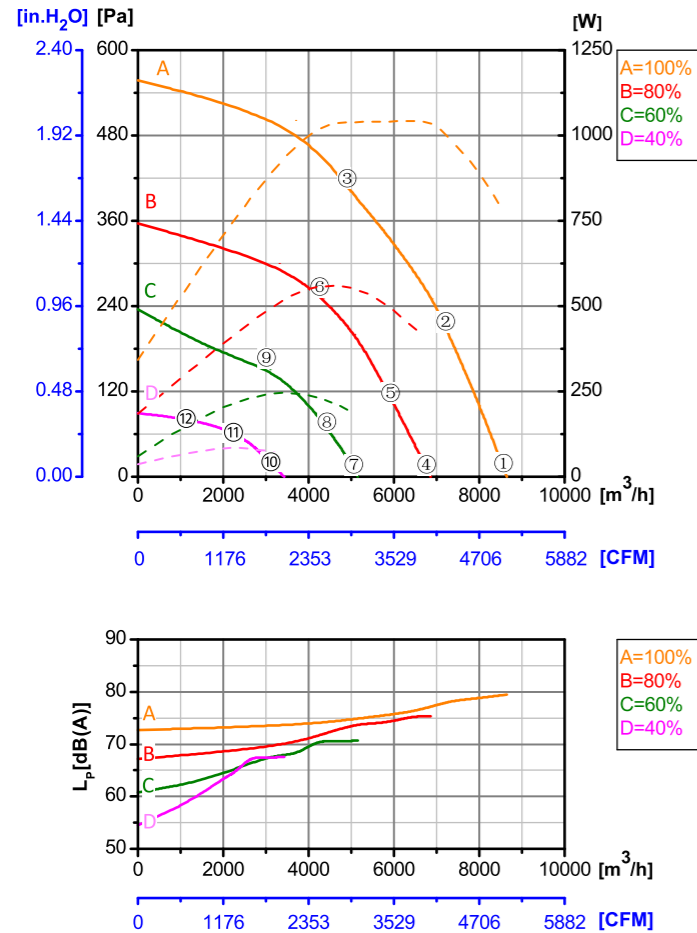
ErP2015  
III EXCEEDS THE NORM



Φ 500 (3-phase)

转子材质 Rotor Material: 碳钢 Carbon steel  
 叶轮材质 Impeller Material: 铝合金 Aluminum alloy sheet  
 防护等级 Ingress Protection: IP54  
 绝缘等级 Insulation Class: F  
 轴承类型 Bearing Type: 免维护滚珠球轴承  
 Maintenance free ball bearing

性能曲线 Performance Curves

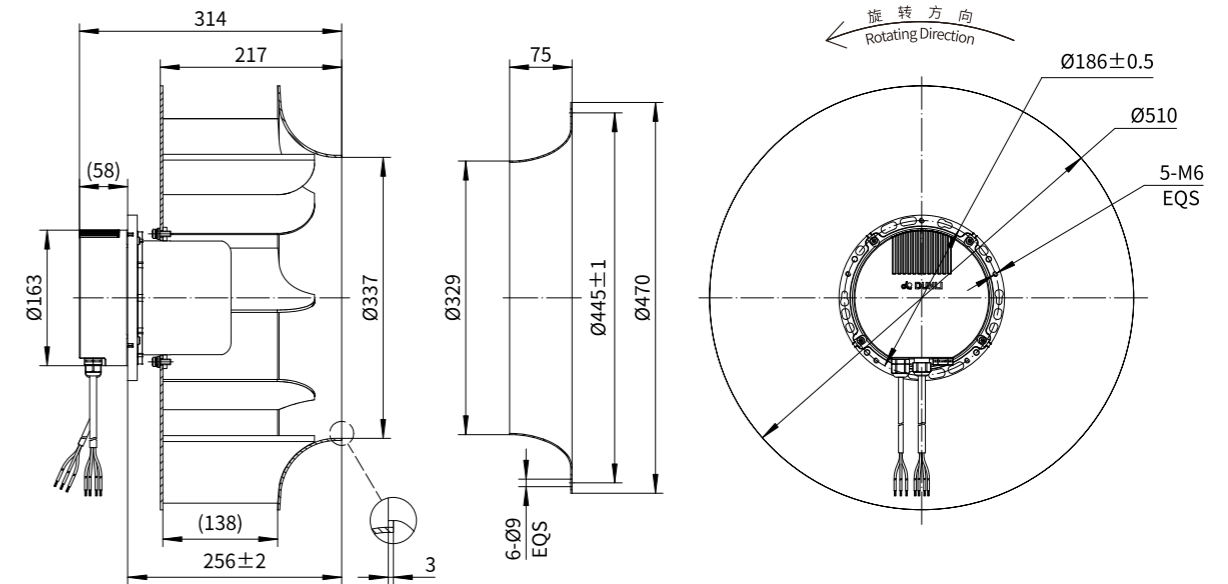


测试节点 Test Point	转速 Speed rpm	输入功率 Input Power W
1	1264	763
2	1269	995
3	1231	1040
4	1008	394
5	1009	487
6	1009	566
7	762	176
8	760	219
9	762	245
10	511	64
11	512	81
12	510	84

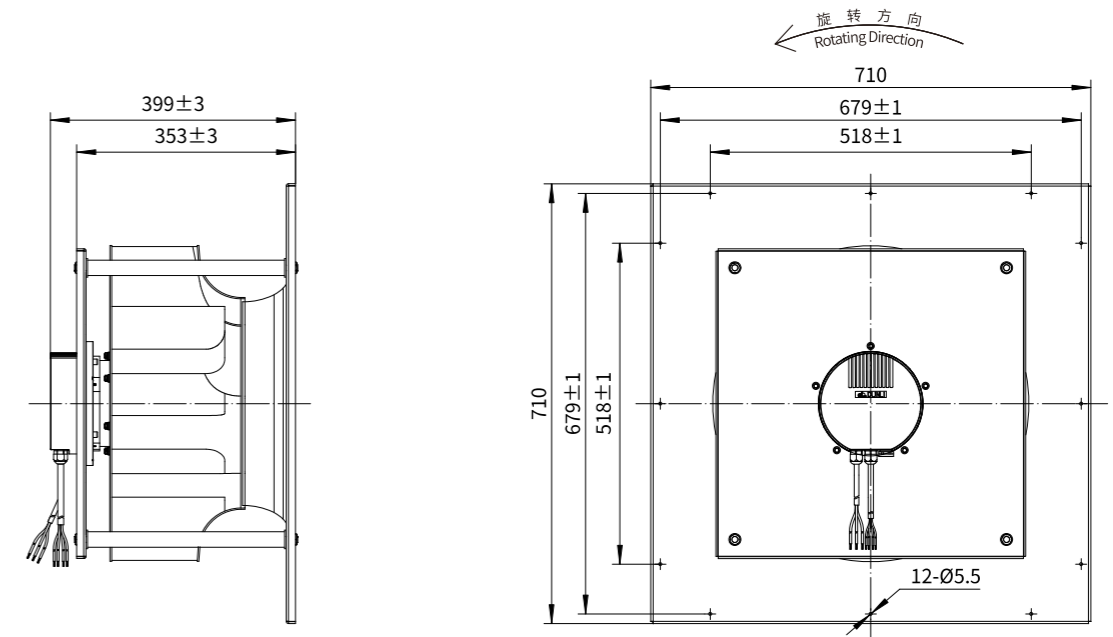
Erp2015 Data:  
 Efficiency  $\eta_{statA}$  = 58.1%  
 Efficiency grade  $N_{actual}$  = 68.4,  $N_{target}$  = 62  
 Test report No. : L-20210302-005-069

产品型号 Model No.	电压 Voltage	频率 Frequency	转速 Speed	输入功率 Input Power	电流 Current	运行温度 Working Temp.	认证 Approvals
	VAC	Hz	RPM	W	A	Min/Max (°C)	
EC137-B500-001	3~380/400	50/60	1260	820	1.70	-20/+60	CCC,CE

后倾离心风机 Motorized Backward Curved Impeller



带支架 With Supporting Rack



EC 高静压后倾离心风机  
B-Max

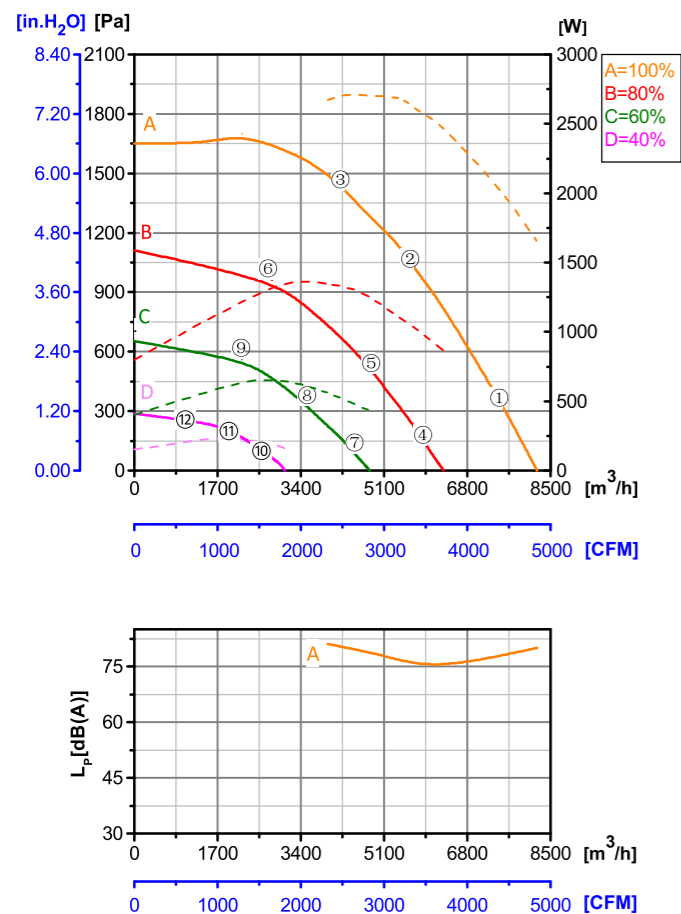
ErP2015  
EXCEEDS THE NORM



Φ 355

转子材质 Rotor Material: 碳钢 Carbon steel  
风叶材质 Blade Material: 塑料 Plastic  
防护等级 Ingress Protection: IP55  
绝缘等级 Insulation Class: F  
轴承类型 Bearing Type: 免维护滚珠球轴承  
Maintenance free ball bearing

性能曲线 Performance Curves

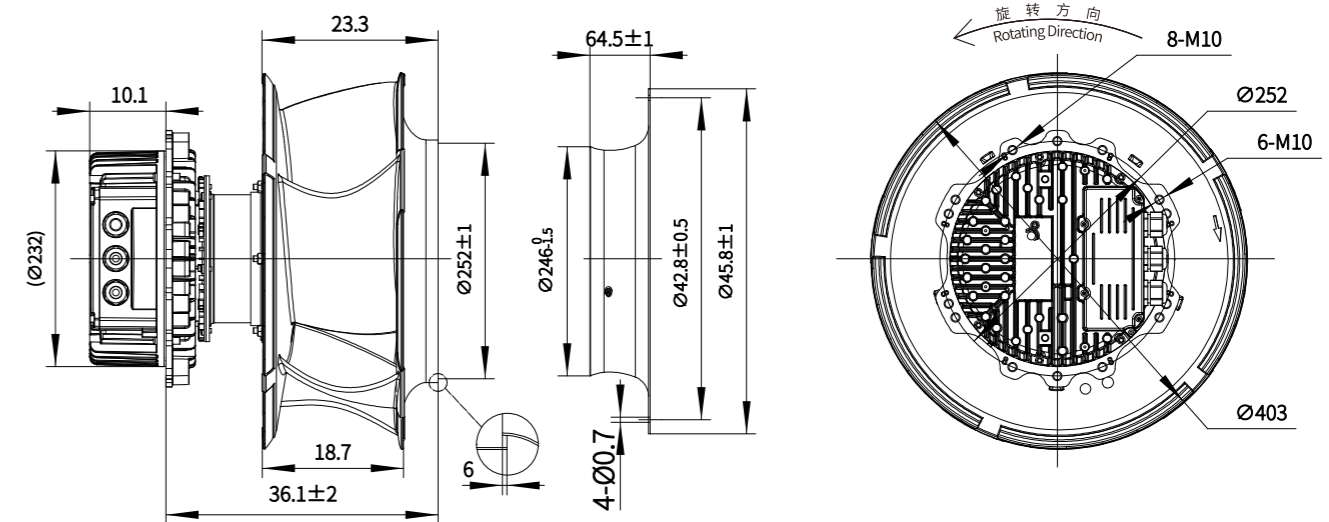


测试节点 Test Point	转速 Speed rpm	输入功率 Input Power W
1	3166	1981
2	3160	2593
3	3153	2720
4	2507	959
5	2505	1227
6	2497	1346
7	1910	475
8	1912	610
9	1911	652
10	1265	200
11	1264	228
12	1264	231

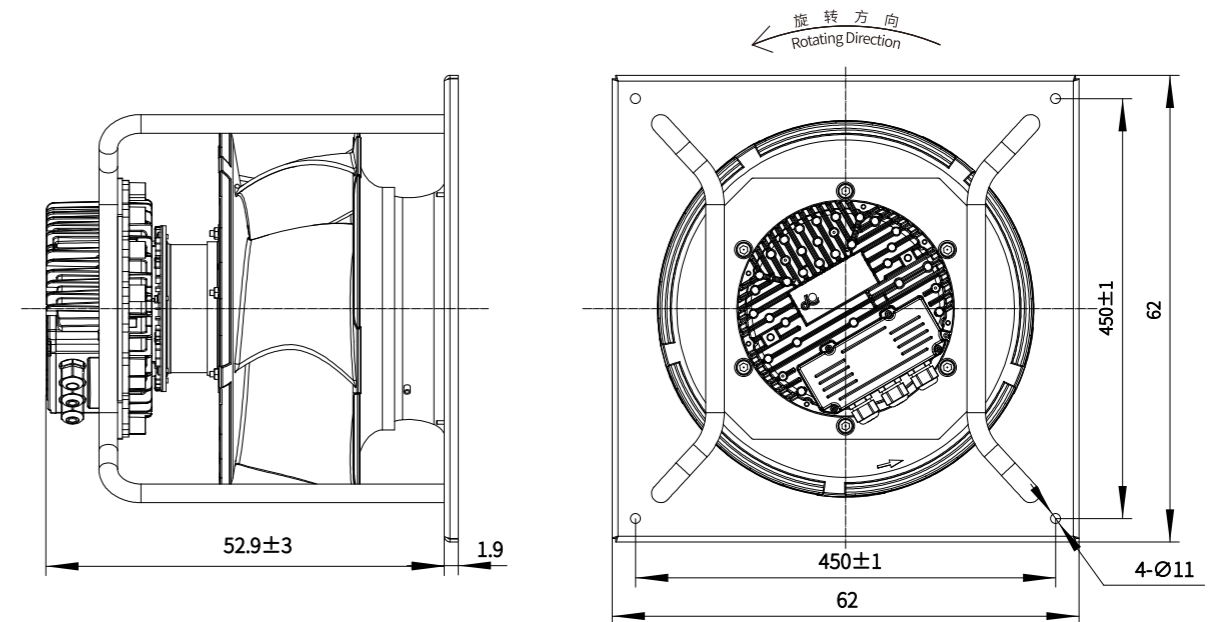
Erp2015 Data:  
Efficiency  $\eta_{statA} = 67.1\%$   
Efficiency grade  $N_{actual} = 73.1, N_{target} = 62$   
Test report No. : L-20230723-001-A

产品型号 Model No.	电压 Voltage	频率 Frequency	转速 Speed	输入功率 Input Power	电流 Current	运行温度 Working Temp.	认证 Approvals
	VDC	Hz	RPM	W	A	Min/Max (°C)	
EC137-B355-C09	3~400	50/60	3150	1700	2.6	-25/+40	CCC,CE,UKCA

后倾离心风机 Motorized Backward Curved Impeller



带支架 With Supporting Rack



EC 高静压后倾离心风机  
B-Max

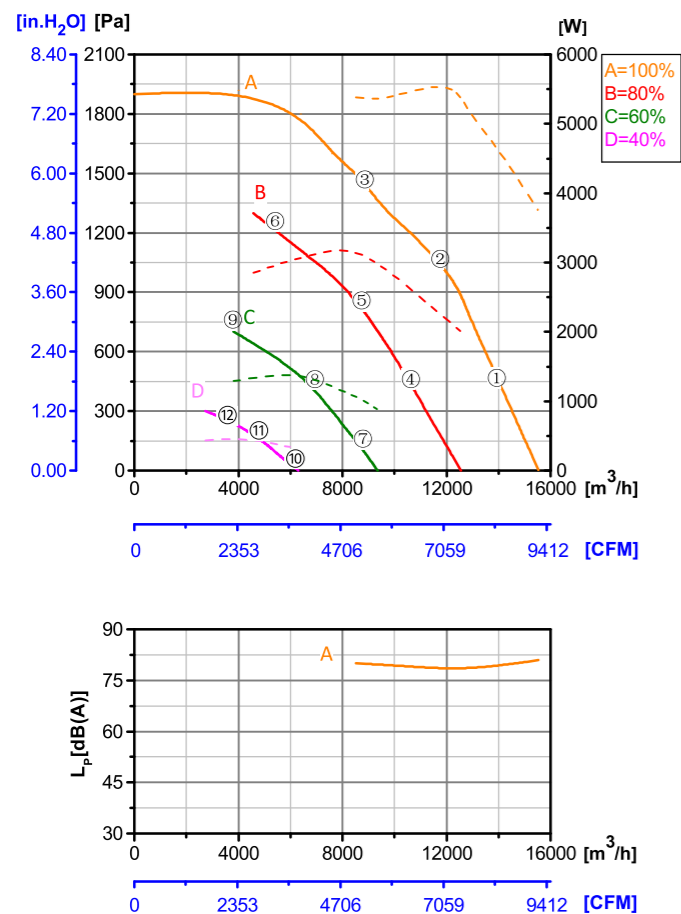
ErP2015  
III EXCEEDS THE NORM



Φ 450

转子材质 Rotor Material: 碳钢 Carbon steel  
 风叶材质 Blade Material: 铝合金 Aluminum alloy sheet  
 防护等级 Ingress Protection: IP55  
 绝缘等级 Insulation Class: F  
 轴承类型 Bearing Type: 免维护滚珠球轴承  
 Maintenance free ball bearing

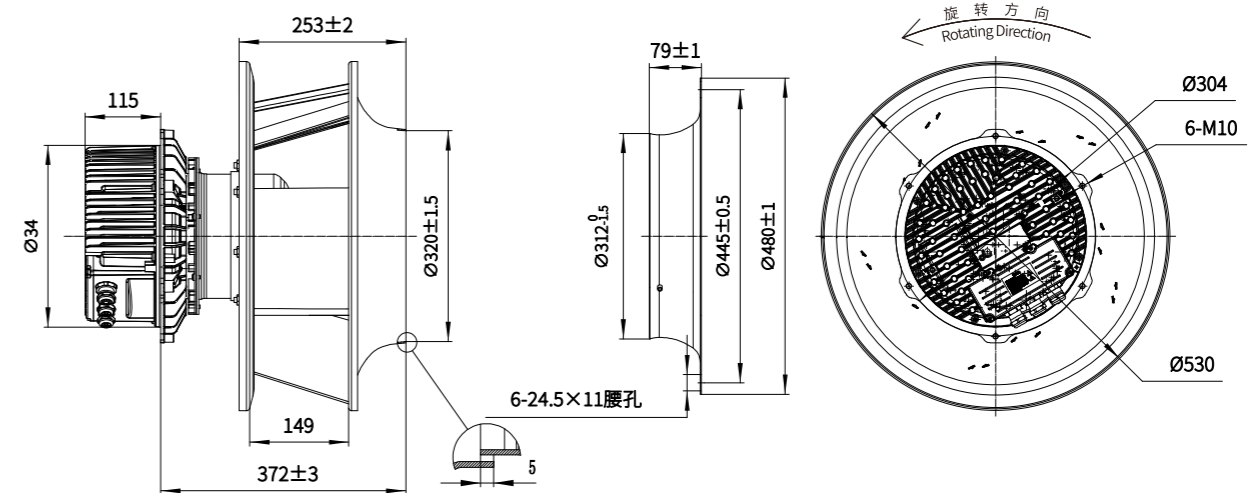
性能曲线 Performance Curves



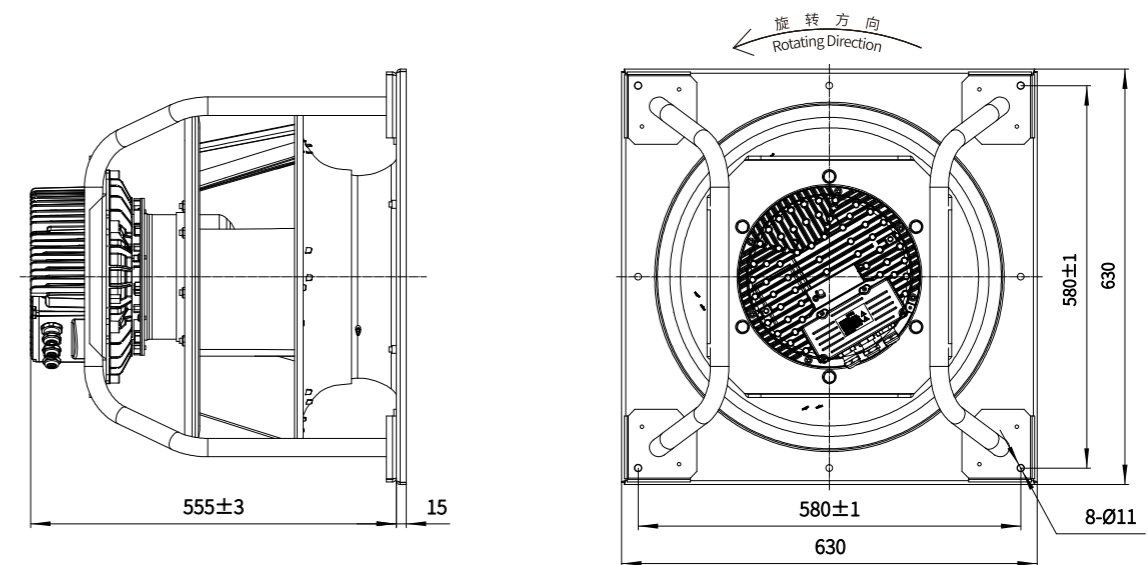
测试节点 Test Point	转速 Speed rpm	输入功率 Input Power W
1	2617	4543
2	2620	5547
3	2483	5355
4	2098	2569
5	2100	3102
6	2099	2985
7	1570	1014
8	1573	1312
9	1575	1295
10	1056	314
11	1055	446
12	1055	436

Erp2015 Data:  
 Efficiency  $\eta_{statA}$  = 68.2%  
 Efficiency grade  $N_{actual}$  = 70.8,  $N_{target}$  = 62  
 Test report No. : L-20230130-002-A

后倾离心风机 Motorized Backward Curved Impeller



带支架 With Supporting Rack



产品型号 Model No.	电压 Voltage	频率 Frequency	转速 Speed	输入功率 Input Power	电流 Current	运行温度 Working Temp.	认证 Approvals
	VDC	Hz	RPM	W	A	Min/Max (°C)	
EC180-B450-C01	3~400	50/60	2600	3650	5.6	-25/+50	CCC,CE,UKCA

EC 高静压后倾离心风机  
B-Max

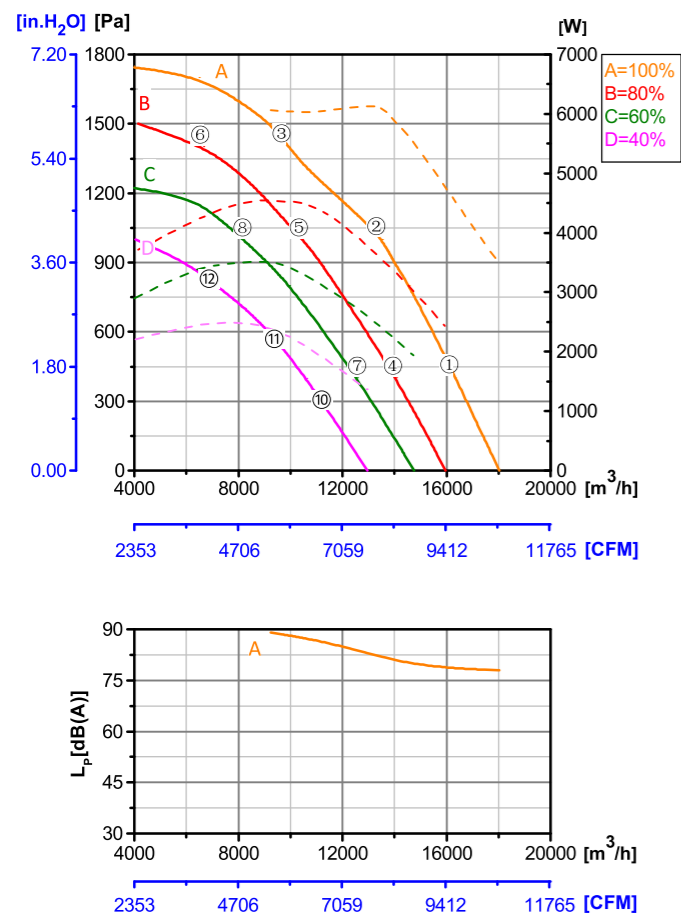
ErP2015  
EXCEEDS THE NORM



Φ 500

转子材质 Rotor Material: 碳钢 Carbon steel  
风叶材质 Blade Material: 铝合金 Aluminum alloy sheet  
防护等级 Ingress Protection: IP55  
绝缘等级 Insulation Class: F  
轴承类型 Bearing Type: 免维护滚珠球轴承  
Maintenance free ball bearing

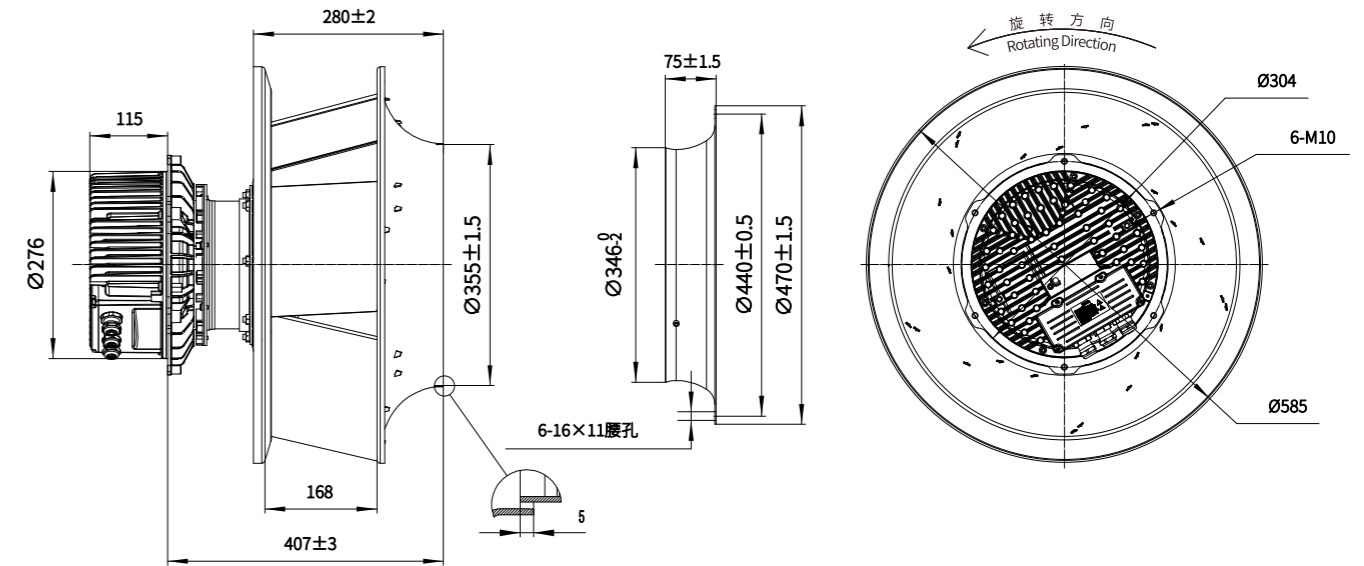
性能曲线 Performance Curves



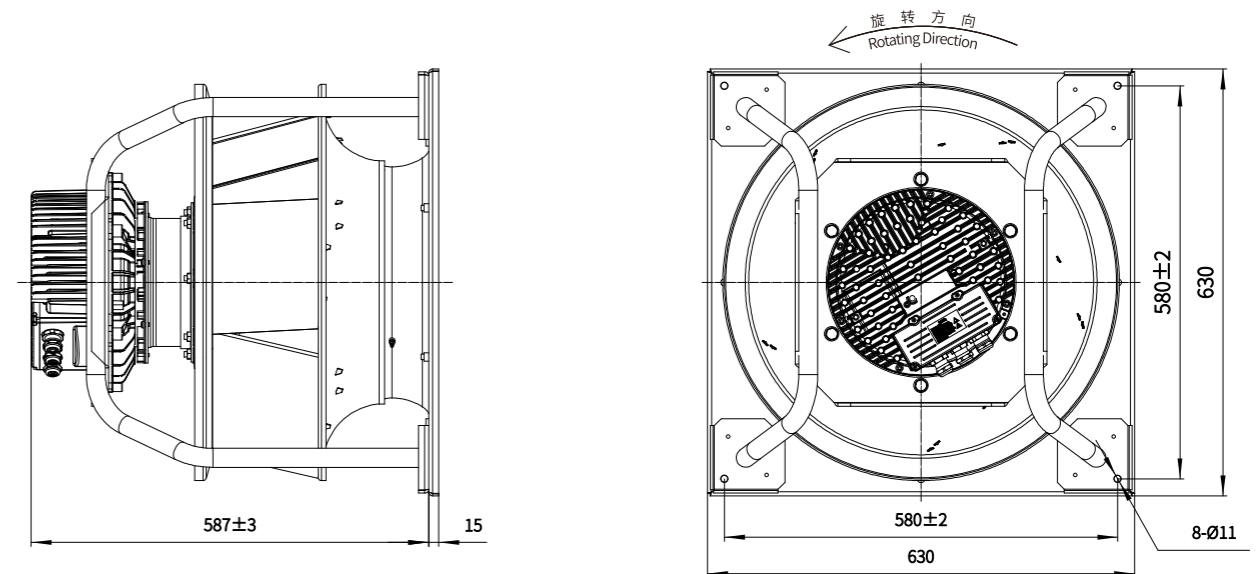
测试节点 Test Point	转速 Speed rpm	输入功率 Input Power W
1	2261	4509
2	2259	6149
3	2195	6039
4	2016	3347
5	2015	4522
6	2013	4294
7	1854	2766
8	1853	3515
9	1858	2377
10	1653	2105
11	1653	2409
12	1651	2487

Erp2015 Data:  
Efficiency  $\eta_{statA}$  = 68.3%  
Efficiency grade  $N_{actual}$  = 70.6,  $N_{target}$  = 62  
Test report No. : L-20230905-006

后倾离心风机 Motorized Backward Curved Impeller



带支架 With Supporting Rack



产品型号 Model No.	电压 Voltage	频率 Frequency	转速 Speed	输入功率 Input Power	电流 Current	运行温度 Working Temp.	认证 Approvals
	VDC	Hz	RPM	W	A	Min/Max (°C)	
EC180-B500-C01	3~400	50/60	2250	3240	4.7	-25/+40	CCC,CE,UKCA



EC 高静压后倾离心风机  
B-Max

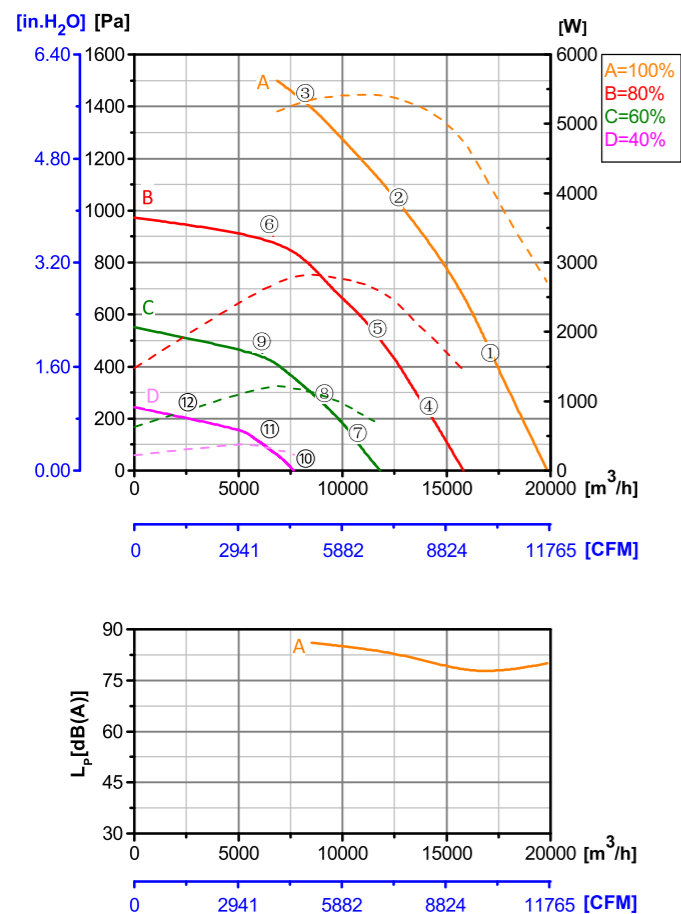
ErP2015  
III EXCEEDS THE NORM



Φ 560

转子材质 Rotor Material: 碳钢 Carbon steel  
风叶材质 Blade Material: 铝合金 Aluminum alloy sheet  
防护等级 Ingress Protection: IP55  
绝缘等级 Insulation Class: F  
轴承类型 Bearing Type: 免维护滚珠球轴承  
Maintenance free ball bearing

性能曲线 Performance Curves

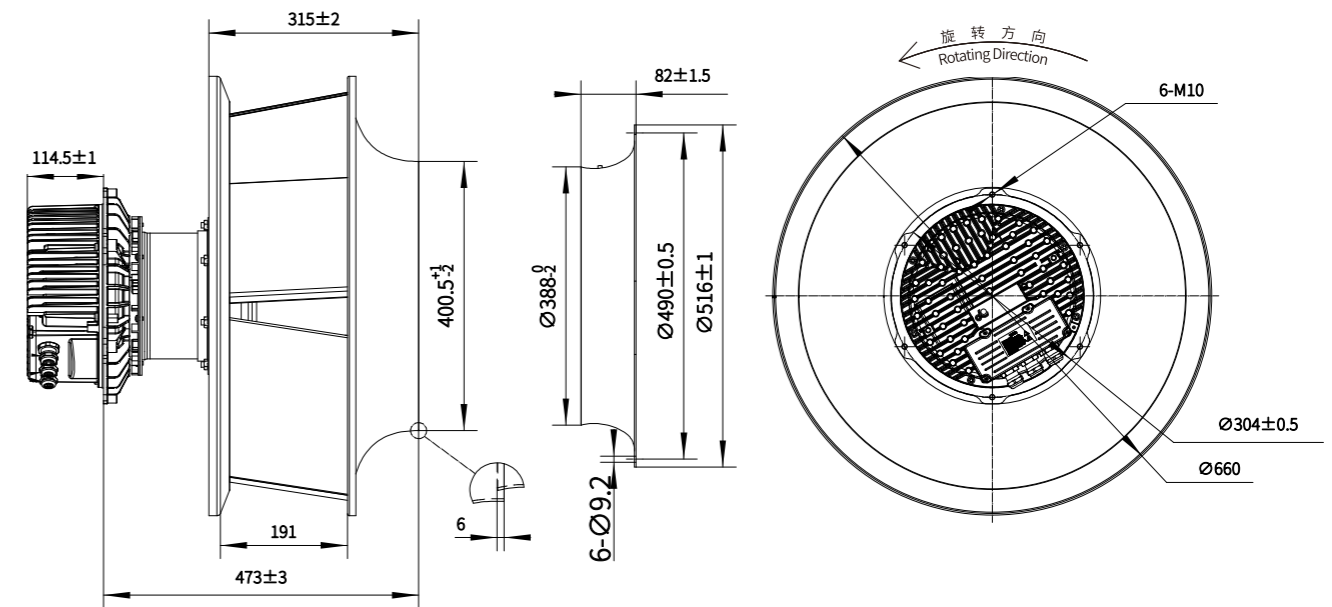


测试节点 Test Point	转速 Speed rpm	输入功率 Input Power W
1	1815	3899
2	1795	5411
3	1812	5372
4	1449	1923
5	1452	2587
6	1449	2752
7	1085	831
8	1085	1074
9	1084	1218
10	725	232
11	724	319
12	724	387

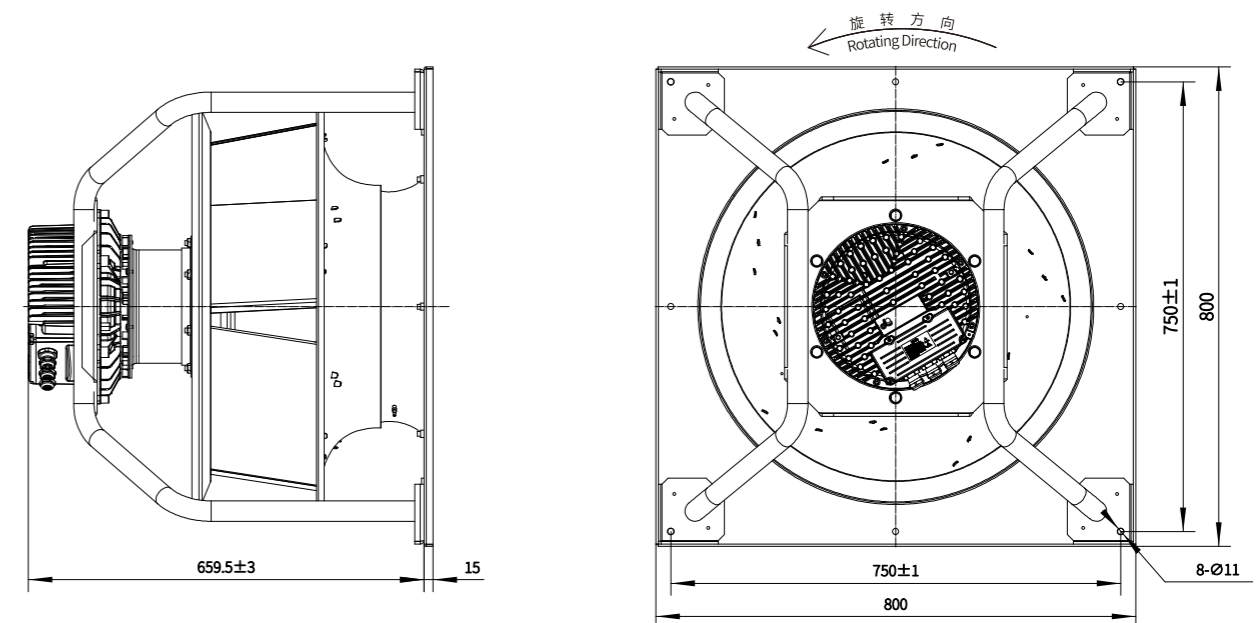
Erp2015 Data:  
Efficiency  $\eta_{statA}$  = 69%  
Efficiency grade  $N_{actual}$  = 72.7,  $N_{target}$  = 62  
Test report No. : L-20221007-001-A

产品型号 Model No.	电压 Voltage	频率 Frequency	转速 Speed	输入功率 Input Power	电流 Current	运行温度 Working Temp.	认证 Approvals
	VDC	Hz	RPM	W	A	Min/Max (°C)	
EC180-B560-001	3~400	50/60	1800	2550	4.1	-25/+50	CCC,CE,UKCA,ETL

后倾离心风机 Motorized Backward Curved Impeller



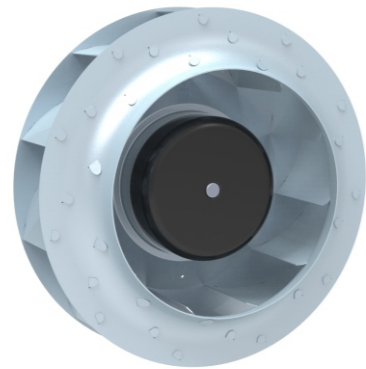
带支架 With Supporting Rack



DC 金属叶轮后倾离心风机  
DC Backward Centrifugal Fan with Metal Impeller

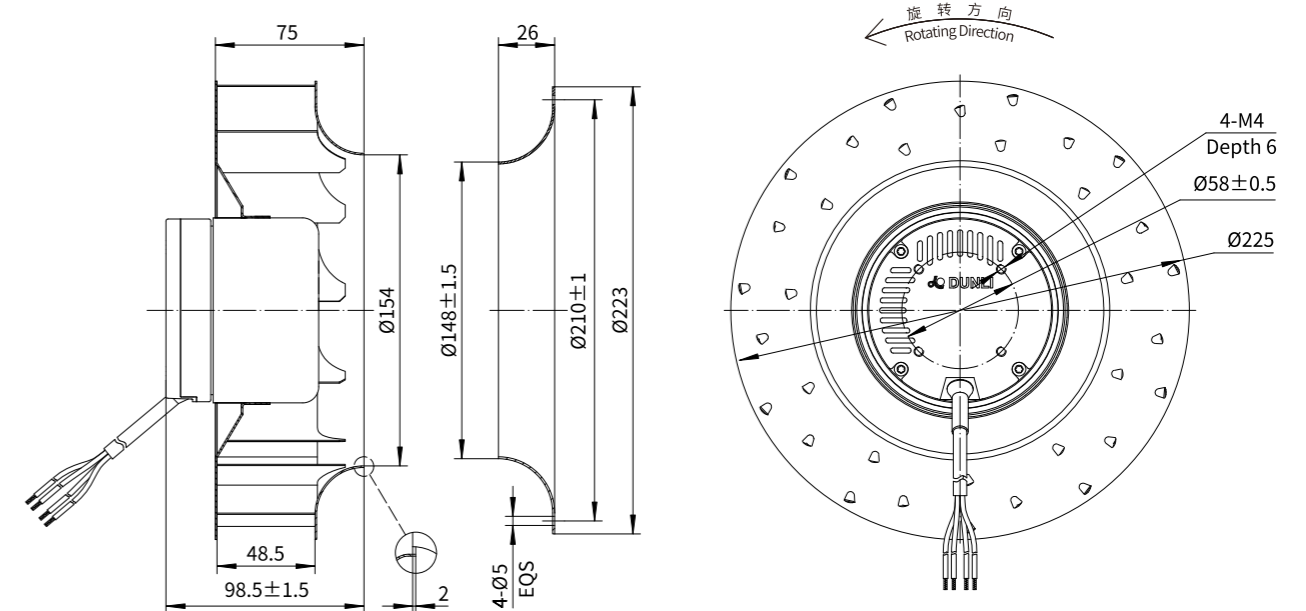
ErP2015  
EXCEEDS THE NORM

后倾离心风机 Motorized Backward Curved Impeller

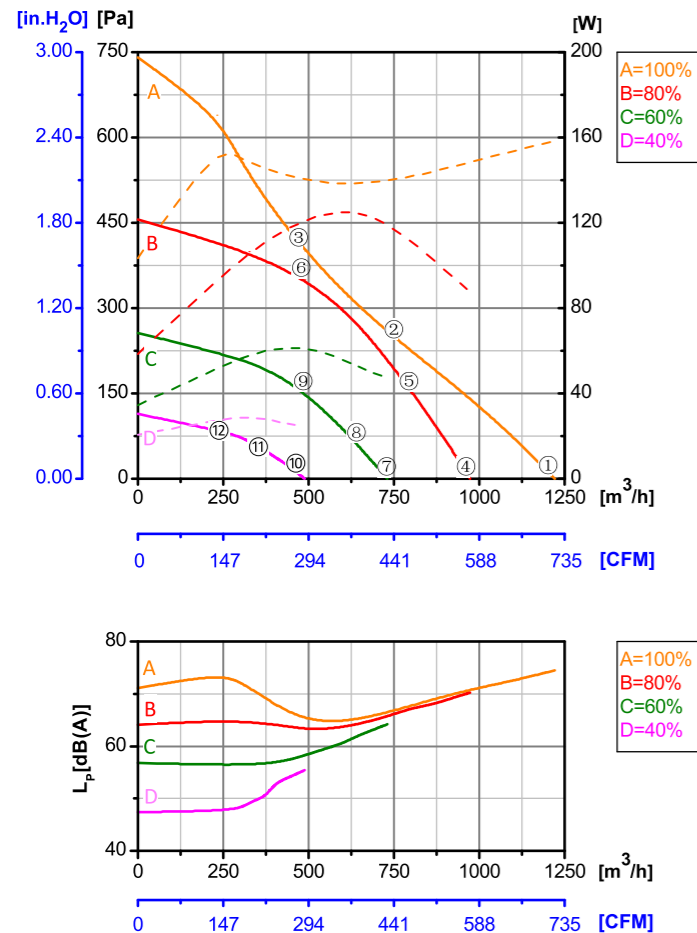


Φ 225

转子材质 Rotor Material: 碳钢 Carbon steel  
 叶轮材质 Impeller Material: 镀锌板 Galvanized steel sheet  
 防护等级 Ingress Protection: IP42  
 绝缘等级 Insulation Class: F  
 轴承类型 Bearing Type: 免维护滚珠轴承  
 Maintenance free ball bearing



性能曲线 Performance Curves



测试节点 Test Point	转速 Speed rpm	输入功率 Input Power W
1	3331	158
2	2818	140
3	2813	140
4	2661	88
5	2663	111
6	2660	122
7	1999	47
8	1997	53
9	1996	61
10	1327	24
11	1334	26
12	1331	28

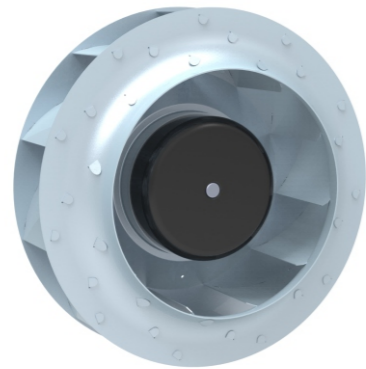
Erp2015 Data:  
 Efficiency  $\eta_{statA}$  = 45.7%  
 Efficiency grade  $N_{actual}$  = 65.2,  $N_{target}$  = 62  
 Test report No. : L-20210302-005-103

产品型号 Model No.	电压 Voltage	频率 Frequency	转速 Speed	输入功率 Input Power	电流 Current	运行温度 Working Temp.	认证 Approvals
	VDC	Hz	RPM	W	A	Min/Max (°C)	
DC92-B225-C10	48	/	3250	155	3.23	-20/+60	CCC,CE
DC92-B225-D10	310	/	3250	155	0.50	-20/+60	CCC,CE

DC 金属叶轮后倾离心风机  
DC Backward Centrifugal Fan with Metal Impeller

ErP2015  
EXCEEDS THE NORM

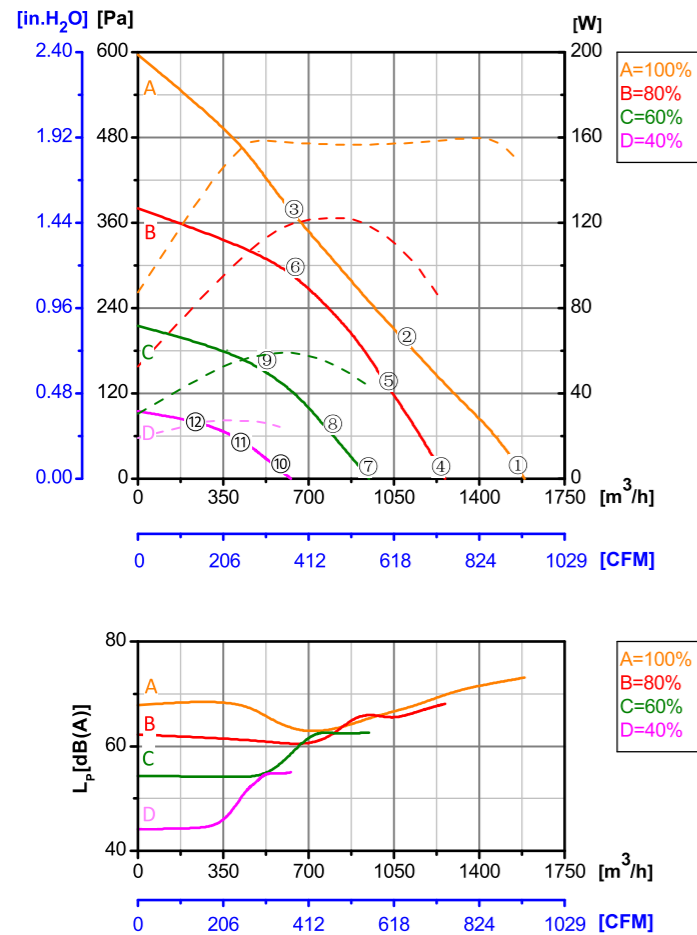
后倾离心风机 Motorized Backward Curved Impeller



Φ 250

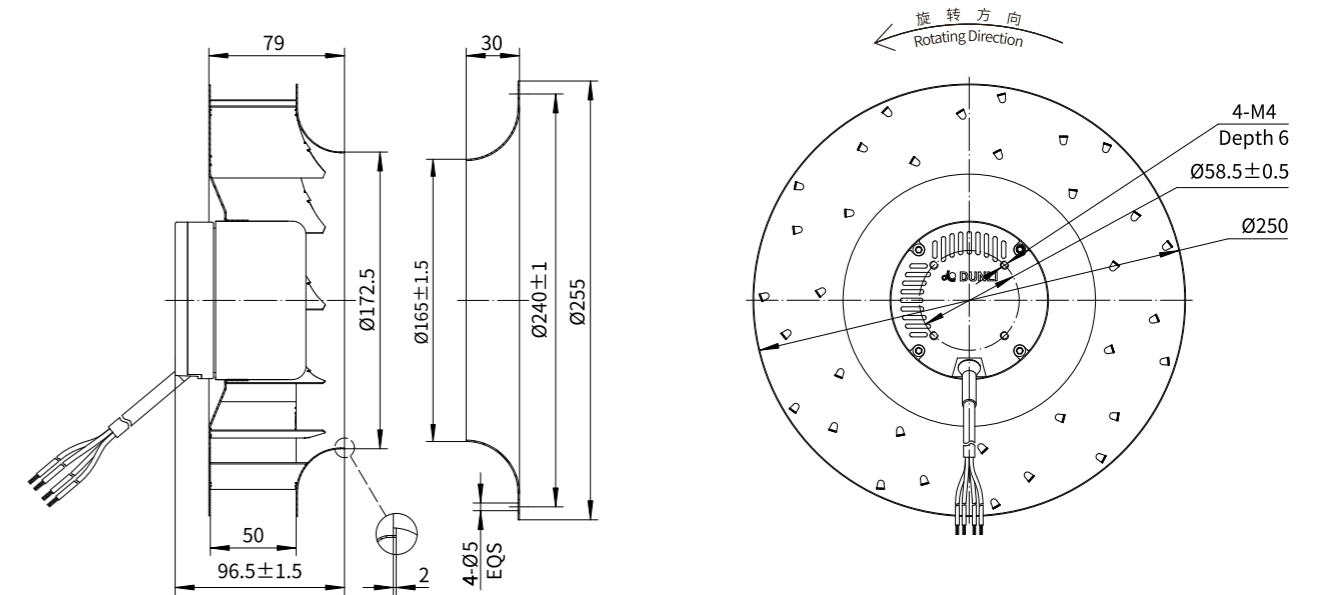
转子材质 Rotor Material: 碳钢 Carbon steel  
 叶轮材质 Impeller Material: 镀锌板 Galvanized steel sheet  
 防护等级 Ingress Protection: IP42  
 绝缘等级 Insulation Class: F  
 轴承类型 Bearing Type: 免维护滚珠球轴承  
 Maintenance free ball bearing

性能曲线 Performance Curves



测试节点 Test Point	转速 Speed rpm	输入功率 Input Power W
1	2733	145
2	2456	158
3	2402	157
4	2184	81
5	2181	112
6	2181	121
7	1642	43
8	1643	54
9	1642	59
10	1094	22
11	1093	26
12	1094	27

Erp2015 Data:  
 Efficiency  $\eta_{statA}$  = 50.0%  
 Efficiency grade  $N_{actual}$  = 68.9,  $N_{target}$  = 62  
 Test report No. : L-20210302-005-101

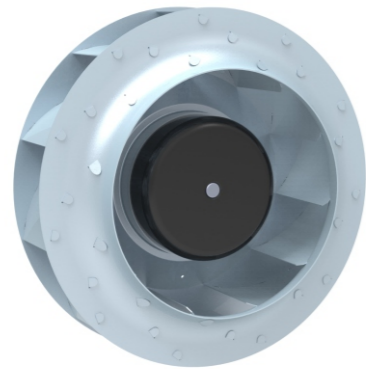


产品型号 Model No.	电压 Voltage	频率 Frequency	转速 Speed	输入功率 Input Power	电流 Current	运行温度 Working Temp.	认证 Approvals
	VDC	Hz	RPM	W	A	Min/Max (°C)	
DC92-B250-C10	48	/	2700	155	3.23	-20/+60	CCC,CE
DC92-B250-D10	310	/	2700	155	0.50	-20/+60	CCC,CE

DC 金属叶轮后倾离心风机  
DC Backward Centrifugal Fan with Metal Impeller

ErP2015  
EXCEEDS THE NORM

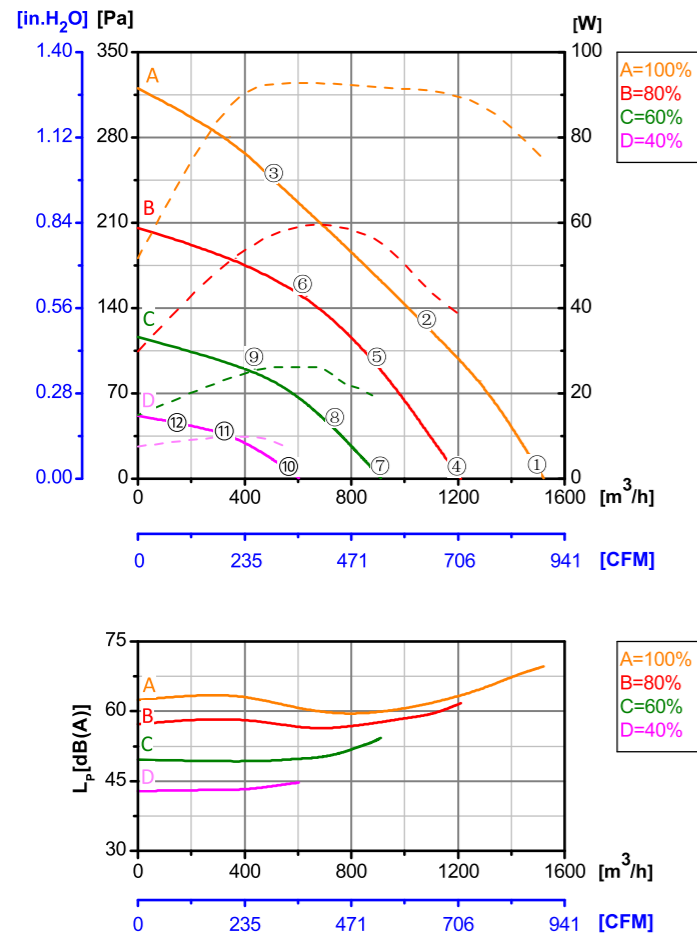
后倾离心风机 Motorized Backward Curved Impeller



Φ 280

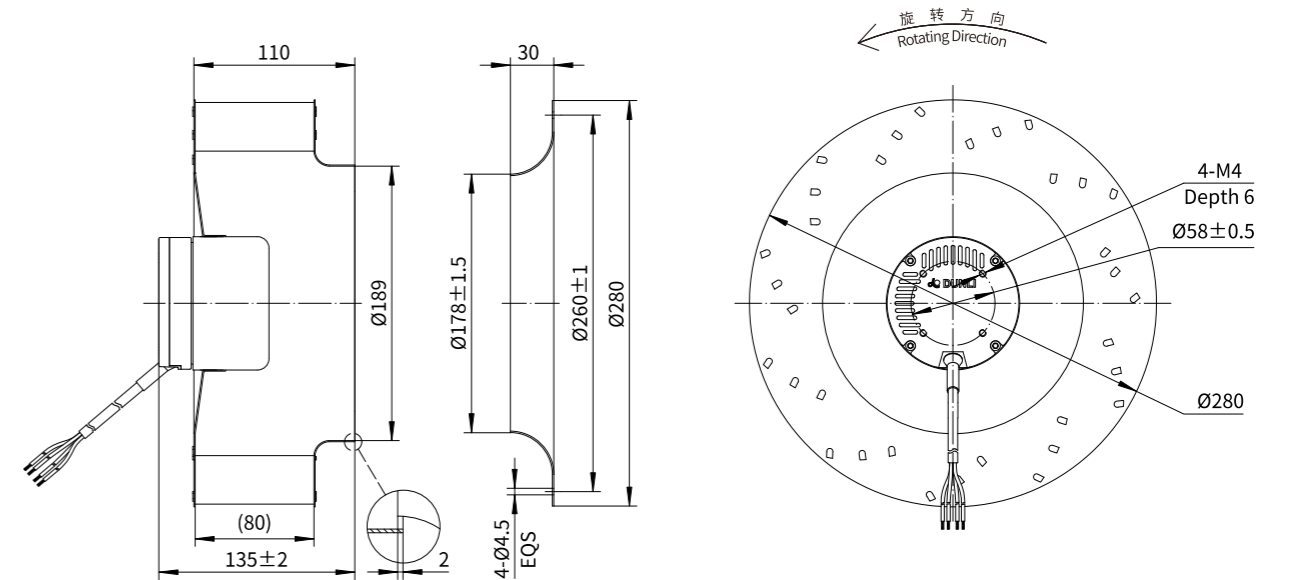
转子材质 Rotor Material: 碳钢 Carbon steel  
 叶轮材质 Impeller Material: 镀锌板 Galvanized steel sheet  
 防护等级 Ingress Protection: IP42  
 绝缘等级 Insulation Class: F  
 轴承类型 Bearing Type: 免维护滚珠球轴承  
 Maintenance free ball bearing

性能曲线 Performance Curves



测试节点 Test Point	转速 Speed rpm	输入功率 Input Power W
1	1789	75
2	1697	91
3	1677	93
4	1433	38
5	1427	56
6	1425	61
7	1071	20
8	1073	24
9	1071	27
10	716	8
11	715	10
12	715	10

Erp2015 Data:  
 Efficiency  $\eta_{statA}$  = 51.9%  
 Efficiency grade  $N_{actual}$  = 73.3,  $N_{target}$  = 62  
 Test report No. : L-20210302-005-084



产品型号 Model No.	电压 Voltage	频率 Frequency	转速 Speed	输入功率 Input Power	电流 Current	运行温度 Working Temp.	认证 Approvals
	VDC	Hz	RPM	W	A	Min/Max (°C)	
DC92-B280-036	24	/	1750	90	3.80	-20/+60	CE
DC92-B280-C36	48	/	1750	90	1.88	-20/+60	CCC,CE
DC92-B280-D36	310	/	1750	90	0.29	-20/+60	CCC,CE

DC 金属叶轮后倾离心风机  
DC Backward Centrifugal Fan with Metal Impeller

ErP2015  
EXCEEDS THE NORM

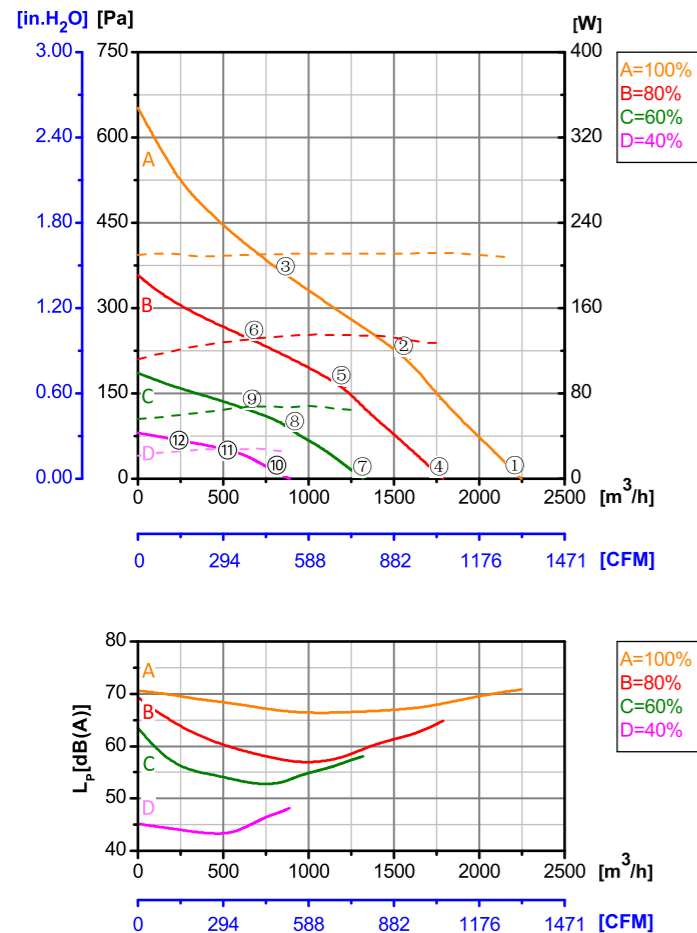
后倾离心风机 Motorized Backward Curved Impeller



Φ 310

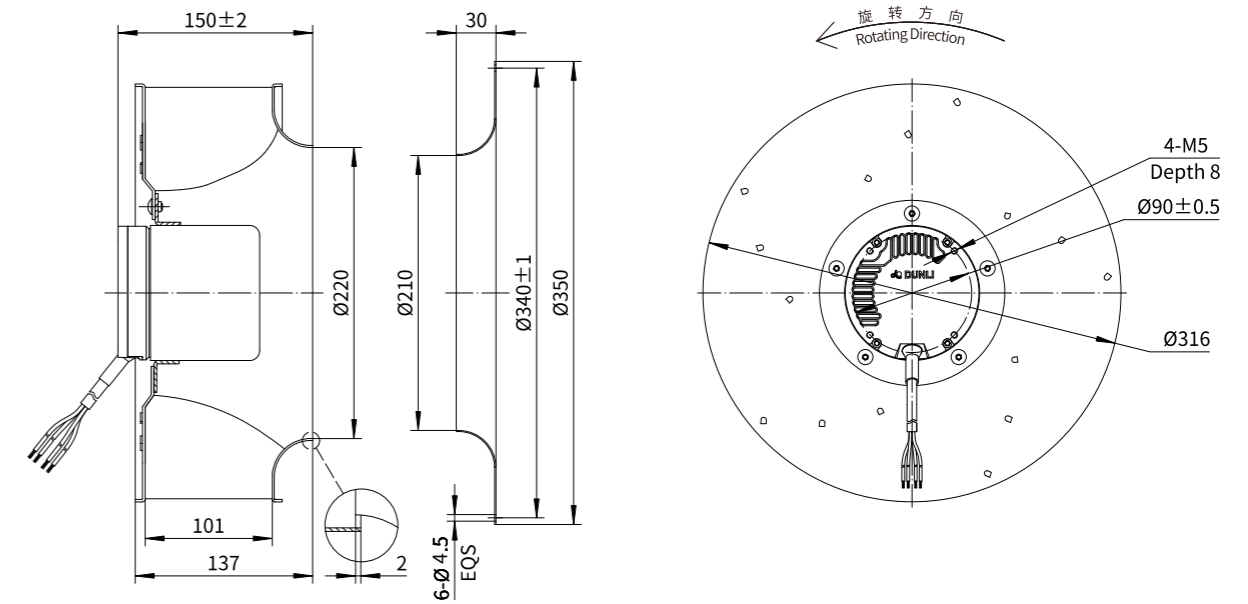
转子材质 Rotor Material: 碳钢 Carbon steel  
 叶轮材质 Impeller Material: 铝合金 Aluminum alloy sheet  
 防护等级 Ingress Protection: IP42  
 绝缘等级 Insulation Class: F  
 轴承类型 Bearing Type: 免维护滚珠轴承  
 Maintenance free ball bearing

性能曲线 Performance Curves



测试节点 Test Point	转速 Speed rpm	输入功率 Input Power W
1	1852	208
2	1711	210
3	1739	211
4	1478	127
5	1404	134
6	1430	132
7	1092	61
8	1048	67
9	1061	69
10	741	26
11	724	28
12	728	28

Erp2015 Data:  
 Efficiency  $\eta_{statA}$  = 52.5%  
 Efficiency grade  $N_{actual}$  = 70,  $N_{target}$  = 62  
 Test report No. : L-20210302-005-112



产品型号 Model No.	电压 Voltage	频率 Frequency	转速 Speed	输入功率 Input Power	电流 Current	运行温度 Working Temp.	认证 Approvals
	VDC	Hz	RPM	W	A	Min/Max (°C)	
DC102-B310-004	48	/	1860	230	4.80	-20/+60	CCC,CE

DC 金属叶轮后倾离心风机  
DC Backward Centrifugal Fan with Metal Impeller

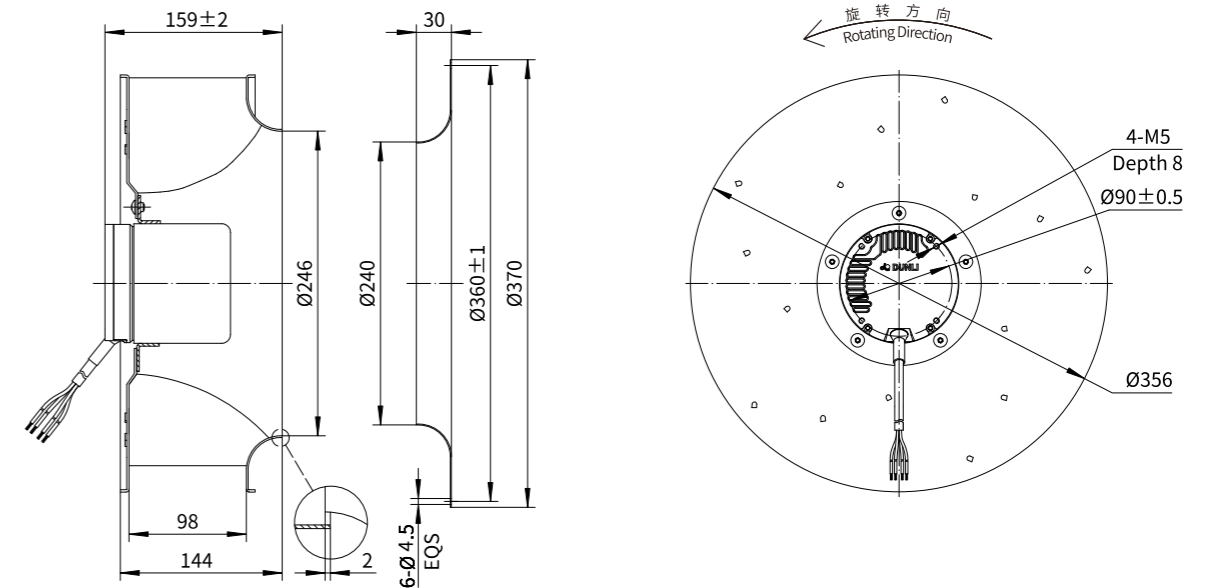
ErP2015  
EXCEEDS THE NORM

后倾离心风机 Motorized Backward Curved Impeller

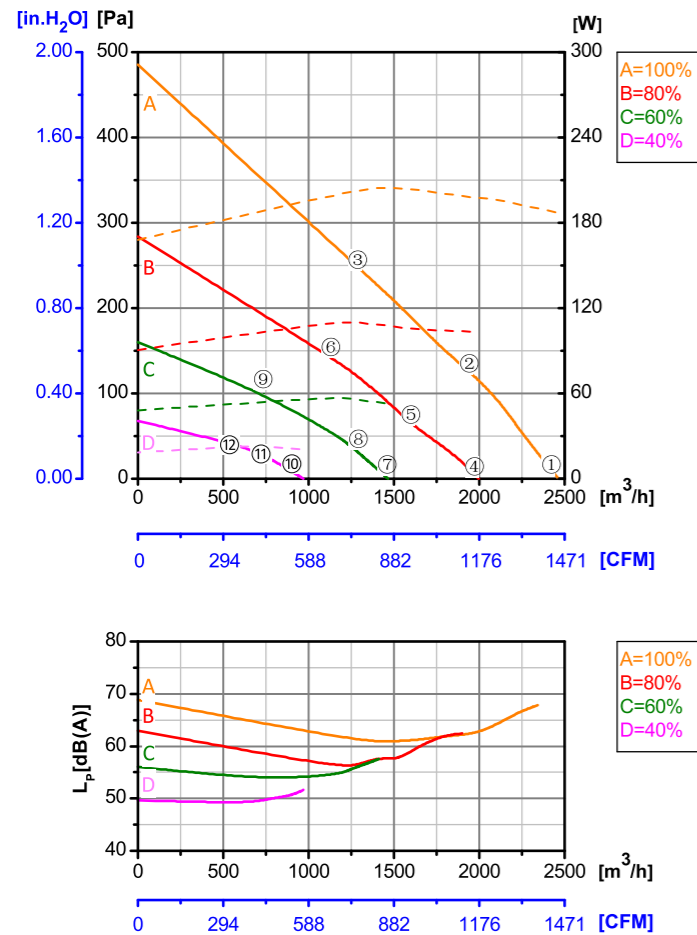


Φ 355

转子材质 Rotor Material: 碳钢 Carbon steel  
 叶轮材质 Impeller Material: 铝合金 Aluminum alloy sheet  
 防护等级 Ingress Protection: IP42  
 绝缘等级 Insulation Class: F  
 轴承类型 Bearing Type: 免维护滚珠轴承  
 Maintenance free ball bearing



性能曲线 Performance Curves



测试节点 Test Point	转速 Speed rpm	输入功率 Input Power W
1	1515	187
2	1435	198
3	1392	205
4	1218	103
5	1147	105
6	1113	111
7	917	53
8	903	54
9	882	58
10	608	21
11	597	22
12	592	23

Erp2015 Data:  
 Efficiency  $\eta_{statA}=49.1\%$   
 Efficiency grade  $N_{actual}=66.8, N_{target}=62$   
 Test report No. : L-20210302-005-100

产品型号 Model No.	电压 Voltage	频率 Frequency	转速 Speed	输入功率 Input Power	电流 Current	运行温度 Working Temp.	认证 Approvals
	VDC	Hz	RPM	W	A	Min/Max (°C)	
DC102-B355-003	48	/	1560	180	3.70	-20/+60	CCC,CE

EC 前倾离心及鼓风机  
EC Forward Curved Centrifugal Fan and Blower

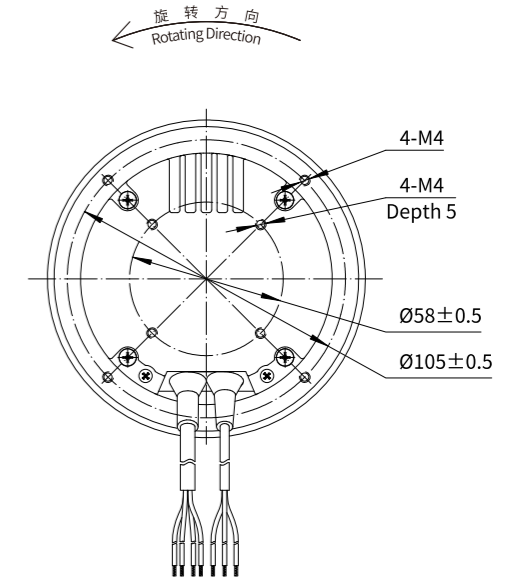
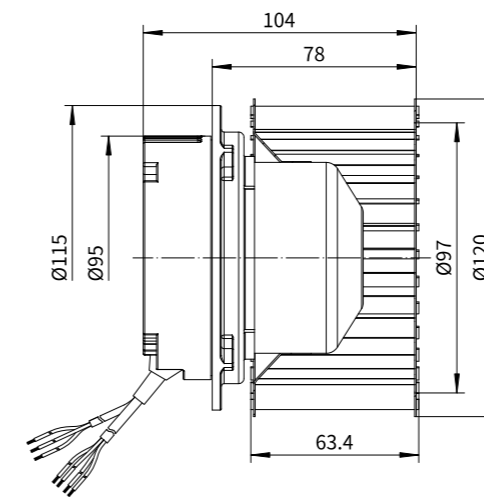
ErP2015  
EXCEEDS THE NORM

前倾离心风机 Motorized Forward Curved Impeller

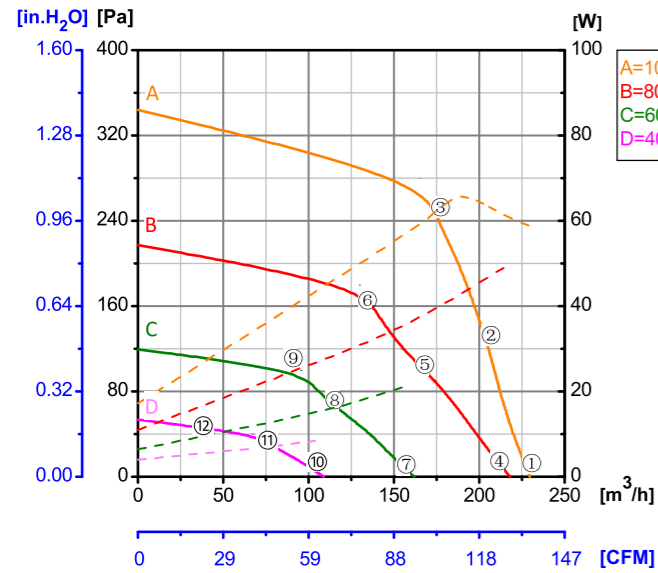


Φ 120

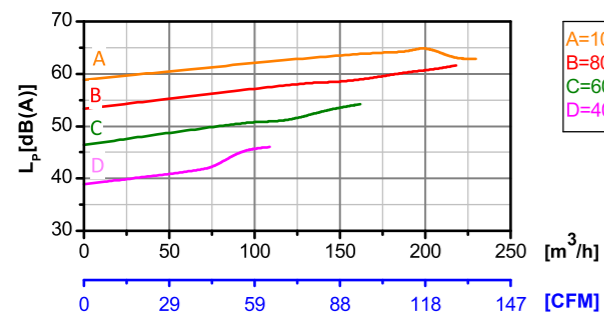
转子材质 Rotor Material: 碳钢 Carbon steel  
 蜗壳材质 Housing Material: 碳钢 Carbon steel  
 叶轮材质 Impeller Material: 镀锌板 Galvanized steel sheet  
 防护等级 Ingress Protection: IP44  
 绝缘等级 Insulation Class: F  
 轴承类型 Bearing Type: 免维护滚珠轴承  
 Maintenance free ball bearing



性能曲线 Performance Curves

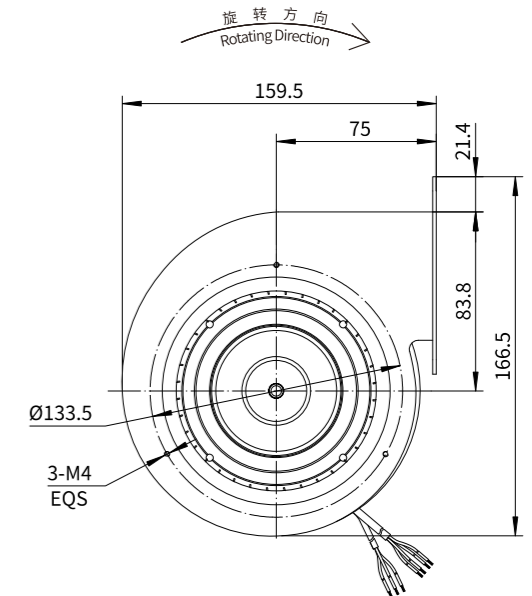
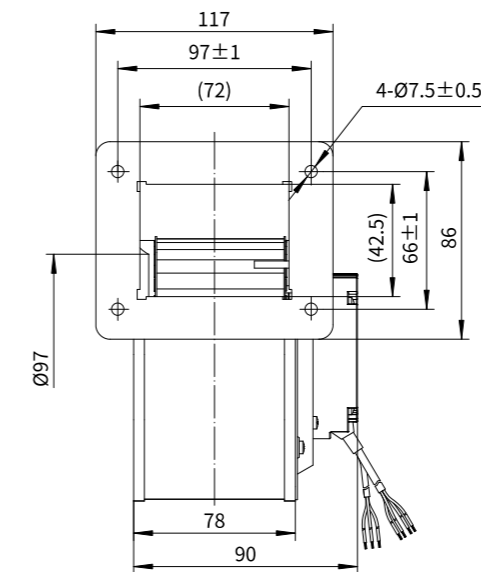


测试节点 Test Point	转速 Speed rpm	输入功率 Input Power W
1	2775	59
2	3064	63
3	3289	63
4	2631	50
5	2639	39
6	2634	33
7	1971	22
8	1971	17
9	1972	14
10	1343	8
11	1344	8
12	1336	7



Erp2015 Data:  
 Efficiency  $\eta_{statA} = \% < 125W$   
 Efficiency grade  $N_{actual} = *, N_{target} = 44$   
 Test report No. : L-20210302-003-011

鼓风机 Blower



产品型号 Model No.	电压 Voltage	频率 Frequency	转速 Speed	输入功率 Input Power	电流 Current	运行温度 Working Temp.	认证 Approvals
	VAC	Hz	RPM	W	A	Min/Max (°C)	
EC72-F120-001	1~220/230	50/60	2800	65	0.57	-20/+60	CCC,CE

EC 前倾离心及鼓风机  
EC Forward Curved Centrifugal Fan and Blower

ErP2015  
EXCEEDS THE NORM

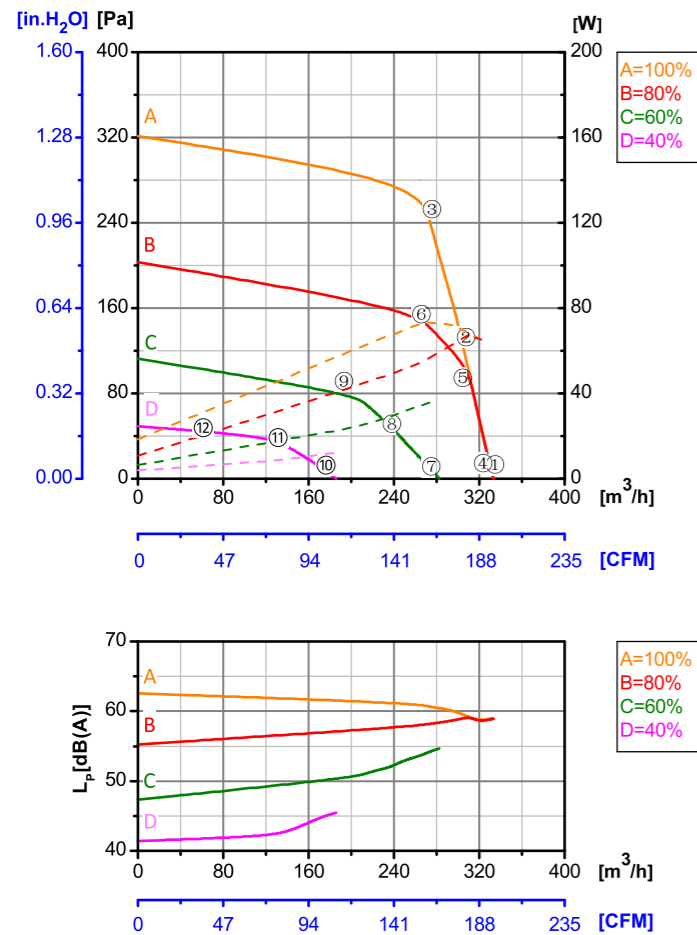
前倾离心风机 Motorized Forward Curved Impeller



Φ 133

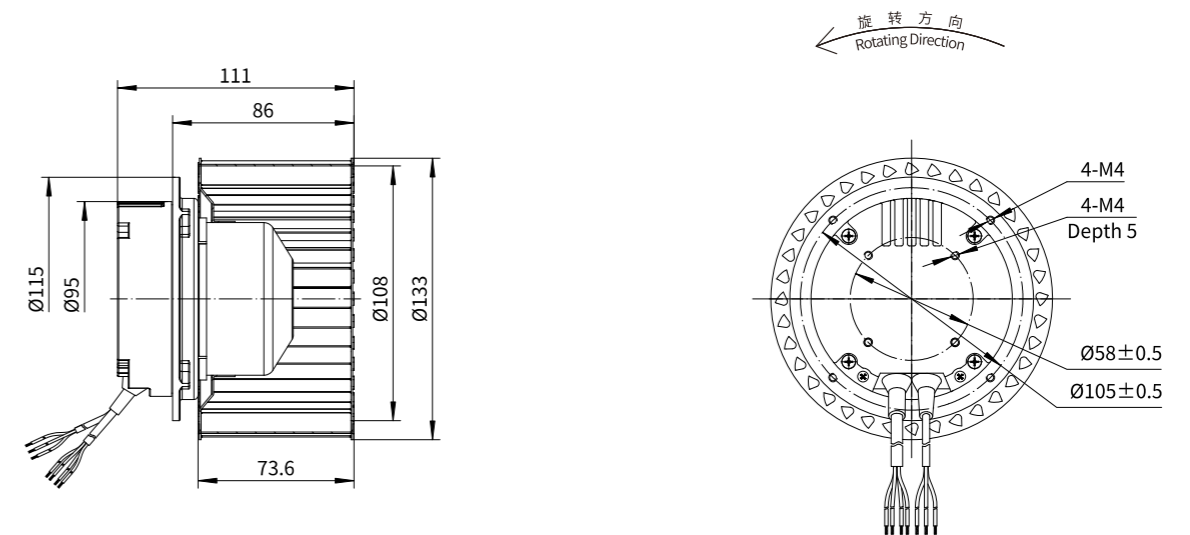
转子材质 Rotor Material: 碳钢 Carbon steel  
 蜗壳材质 Housing Material: 碳钢 Carbon steel  
 叶轮材质 Impeller Material: 镀锌板 Galvanized steel sheet  
 防护等级 Ingress Protection: IP44  
 绝缘等级 Insulation Class: F  
 轴承类型 Bearing Type: 免维护滚珠轴承  
 Maintenance free ball bearing

性能曲线 Performance Curves

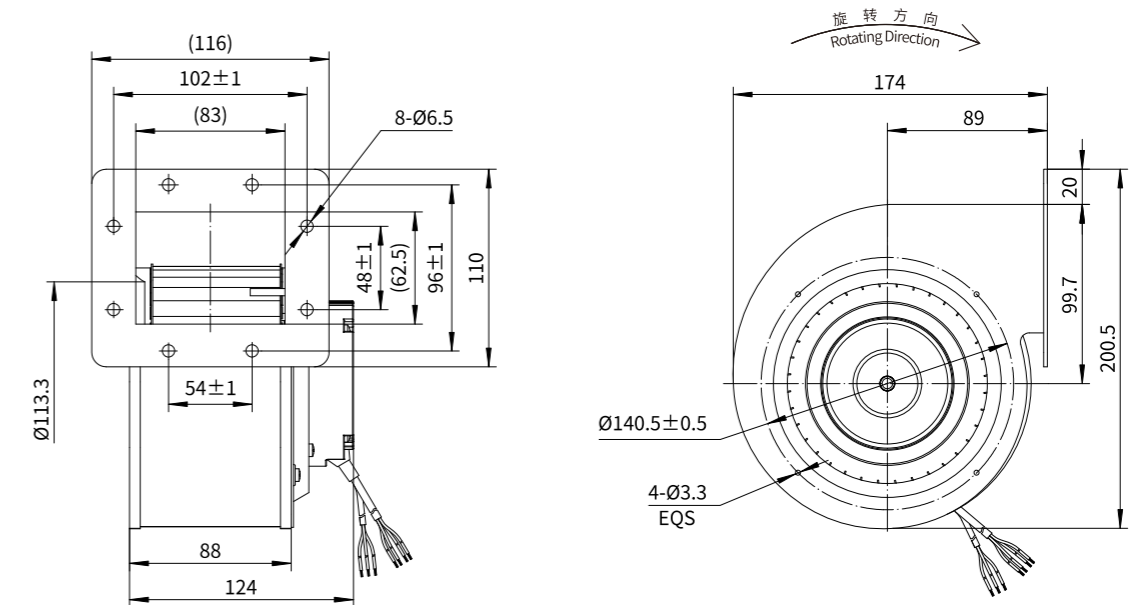


测试节点 Test Point	转速 Speed rpm	输入功率 Input Power W
1	1966	62
2	2275	69
3	2571	73
4	1968	62
5	2171	66
6	2226	57
7	1681	37
8	1673	30
9	1672	24
10	1129	12
11	1115	10
12	1115	8

Erp2015 Data:  
 Efficiency  $\eta_{statA} = \% < 125W$   
 Efficiency grade  $N_{actual} = *, N_{target} = 44$   
 Test report No. : L-20210302-003-012



鼓风机 Blower



产品型号 Model No.	电压 Voltage	频率 Frequency	转速 Speed	输入功率 Input Power	电流 Current	运行温度 Working Temp.	认证 Approvals
	VAC	Hz	RPM	W	A	Min/Max (°C)	
EC72-F133-002	1~220/230	50/60	2000	65	0.58	-20/+60	CCC,CE



EC 前倾离心及鼓风机  
EC Forward Curved Centrifugal Fan and Blower

ErP2015  
EXCEEDS THE NORM

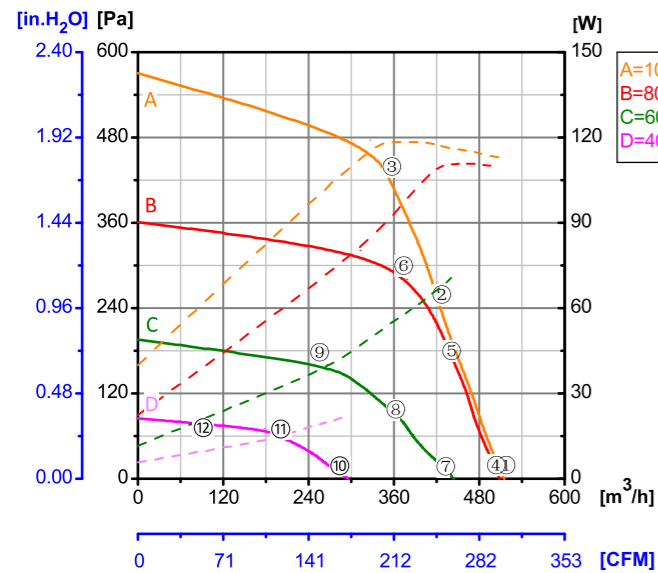
前倾离心风机 Motorized Forward Curved Impeller



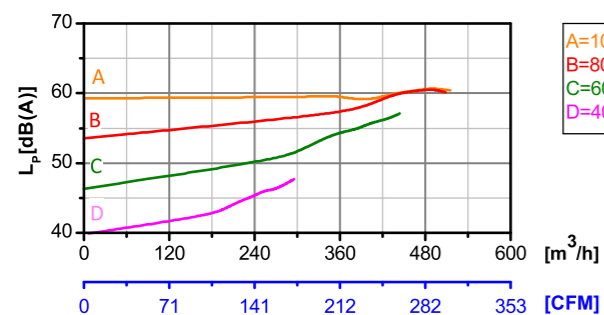
Φ 140-L

转子材质 Rotor Material: 碳钢 Carbon steel  
 蜗壳材质 Housing Material: 碳钢 Carbon steel  
 叶轮材质 Impeller Material: 塑料 Plastic  
 防护等级 Ingress Protection: IP44  
 绝缘等级 Insulation Class: F  
 轴承类型 Bearing Type: 免维护滚珠轴承  
 Maintenance free ball bearing

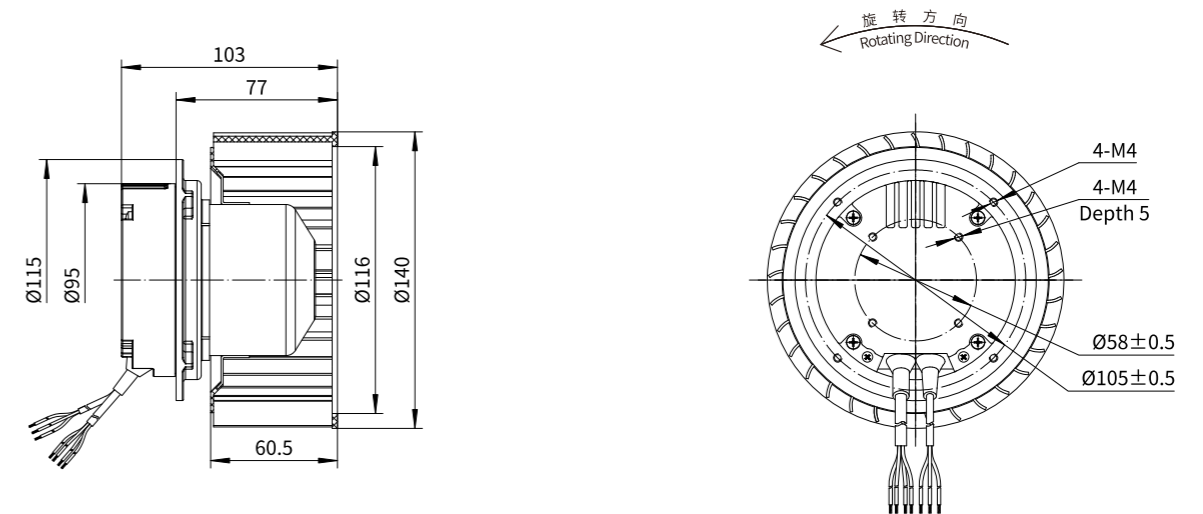
性能曲线 Performance Curves



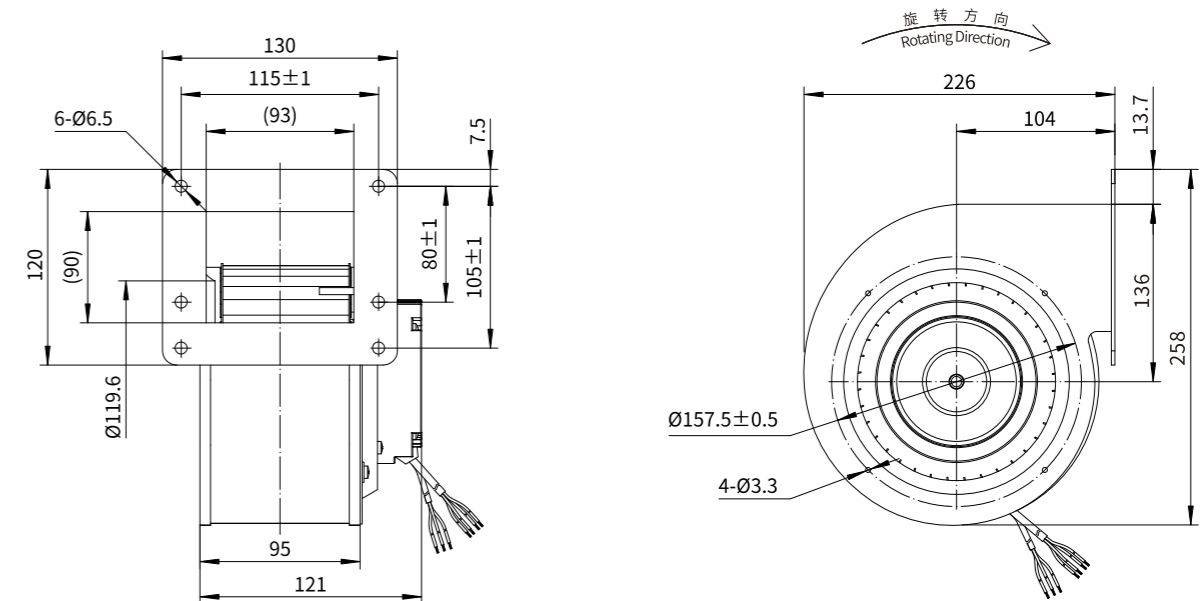
测试节点 Test Point	转速 Speed rpm	输入功率 Input Power W
1	2200	112
2	2576	117
3	2901	118
4	2196	109
5	2416	110
6	2550	98
7	1918	71
8	1922	58
9	1902	39
10	1292	22
11	1293	19
12	1279	15



Erp2015 Data:  
 Efficiency  $\eta_{statA} = \% < 125W$   
 Efficiency grade  $N_{actual} = *, N_{target} = 44$   
 Test report No. : L-20210302-003-014



鼓风机 Blower



产品型号 Model No.	电压 Voltage	频率 Frequency	转速 Speed	输入功率 Input Power	电流 Current	运行温度 Working Temp.	认证 Approvals
	VAC	Hz	RPM	W	A	Min/Max (°C)	
EC72-F140-013	1~220/230	50/60	2250	115	0.94	-20/+60	CCC,CE

EC 前倾离心及鼓风机  
EC Forward Curved Centrifugal Fan and Blower

ErP2015  
EXCEEDS THE NORM

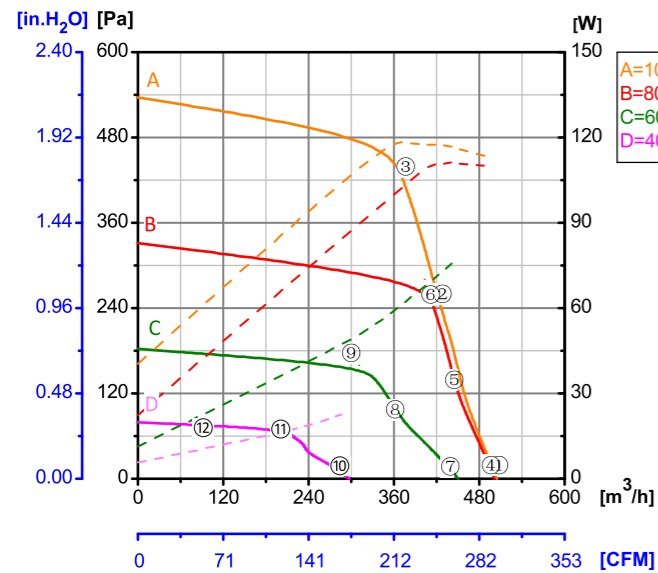
前倾离心风机 Motorized Forward Curved Impeller



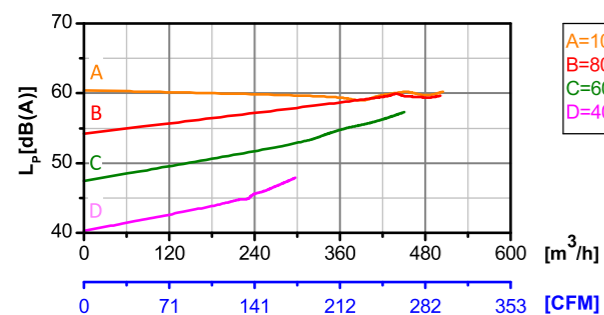
Φ 140-H

转子材质 Rotor Material: 碳钢 Carbon steel  
 蜗壳材质 Housing Material: 碳钢 Carbon steel  
 叶轮材质 Impeller Material: 镀锌板 Galvanized steel sheet  
 防护等级 Ingress Protection: IP44  
 绝缘等级 Insulation Class: F  
 轴承类型 Bearing Type: 免维护滚珠轴承  
 Maintenance free ball bearing

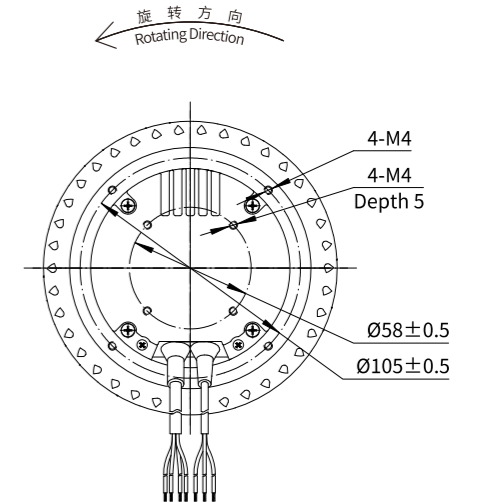
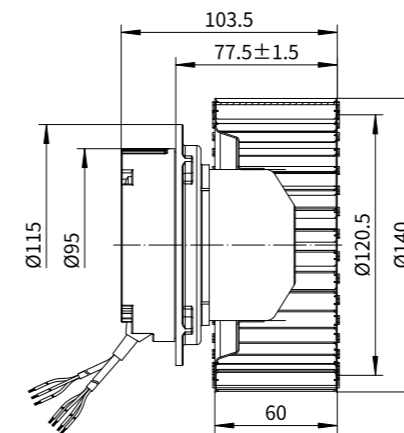
性能曲线 Performance Curves



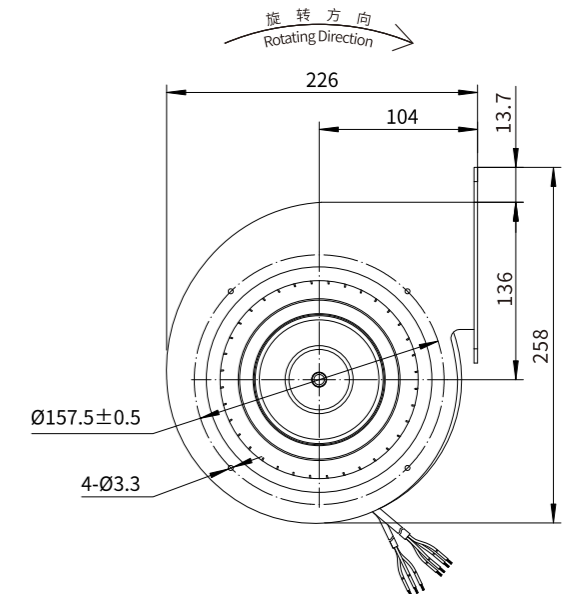
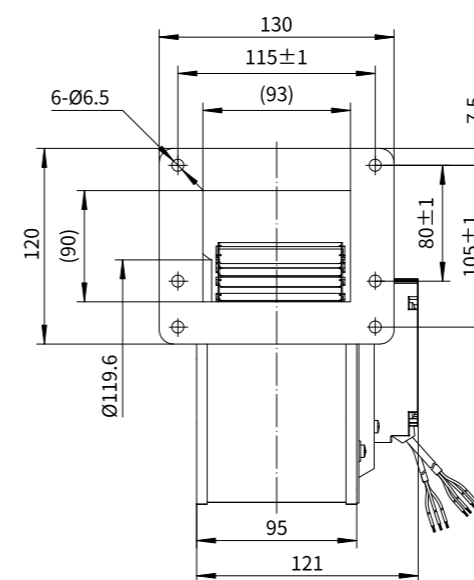
测试节点 Test Point	转速 Speed rpm	输入功率 Input Power W
1	2152	112
2	2472	117
3	2719	118
4	2137	109
5	2320	110
6	2436	110
7	1921	77
8	1921	61
9	1911	50
10	1271	23
11	1273	19
12	1272	17



Erp2015 Data:  
 Efficiency  $\eta_{statA} = \% < 125W$   
 Efficiency grade  $N_{actual} = *, N_{target} = 44$   
 Test report No. : L-20210302-003-014



鼓风机 Blower



产品型号 Model No.	电压 Voltage	频率 Frequency	转速 Speed	输入功率 Input Power	电流 Current	运行温度 Working Temp.	认证 Approvals
	VAC	Hz	RPM	W	A	Min/Max (°C)	
EC72-F140-013	1~220/230	50/60	2250	115	0.94	-20/+60	CCC,CE

EC 前倾离心及鼓风机  
EC Forward Curved Centrifugal Fan and Blower

ErP2015  
III EXCEEDS THE NORM

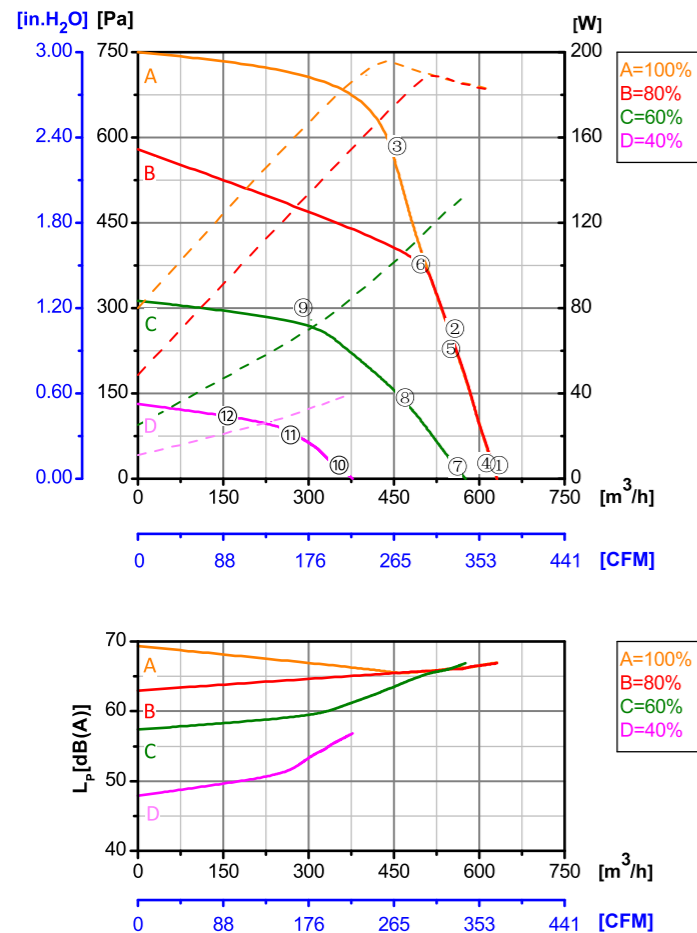
前倾离心风机 Motorized Forward Curved Impeller



Φ 150

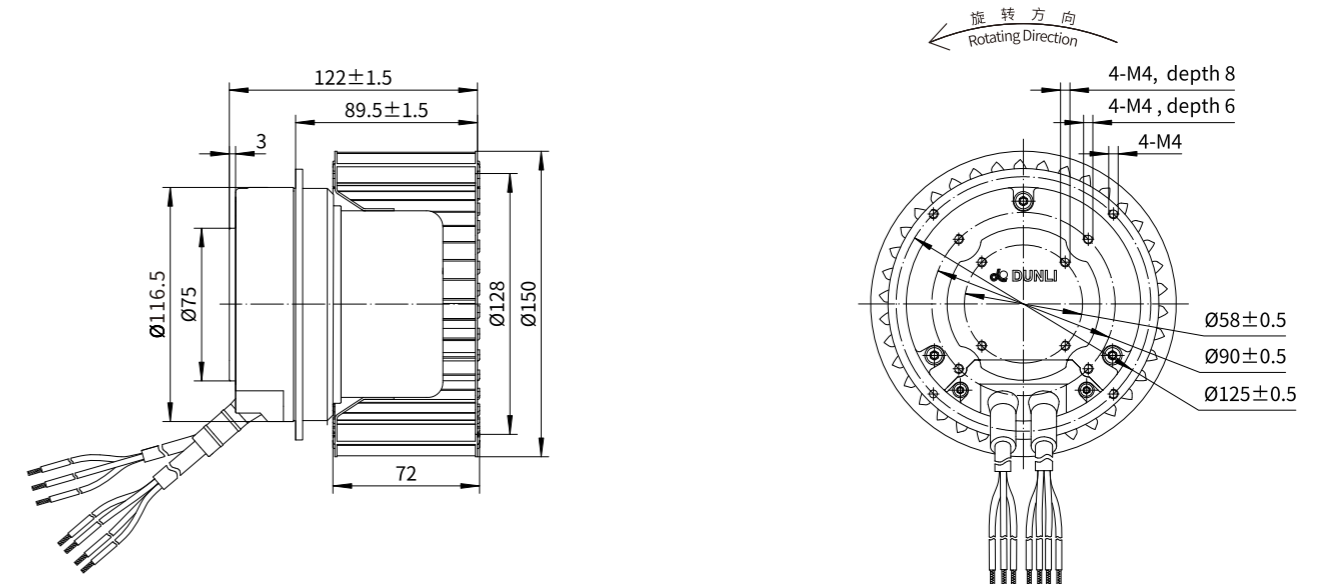
转子材质 Rotor Material: 碳钢 Carbon steel  
 蜗壳材质 Housing Material: 碳钢 Carbon steel  
 叶轮材质 Impeller Material: 镀锌板 Galvanized steel sheet  
 防护等级 Ingress Protection: IP44  
 绝缘等级 Insulation Class: F  
 轴承类型 Bearing Type: 免维护滚珠轴承  
 Maintenance free ball bearing

性能曲线 Performance Curves

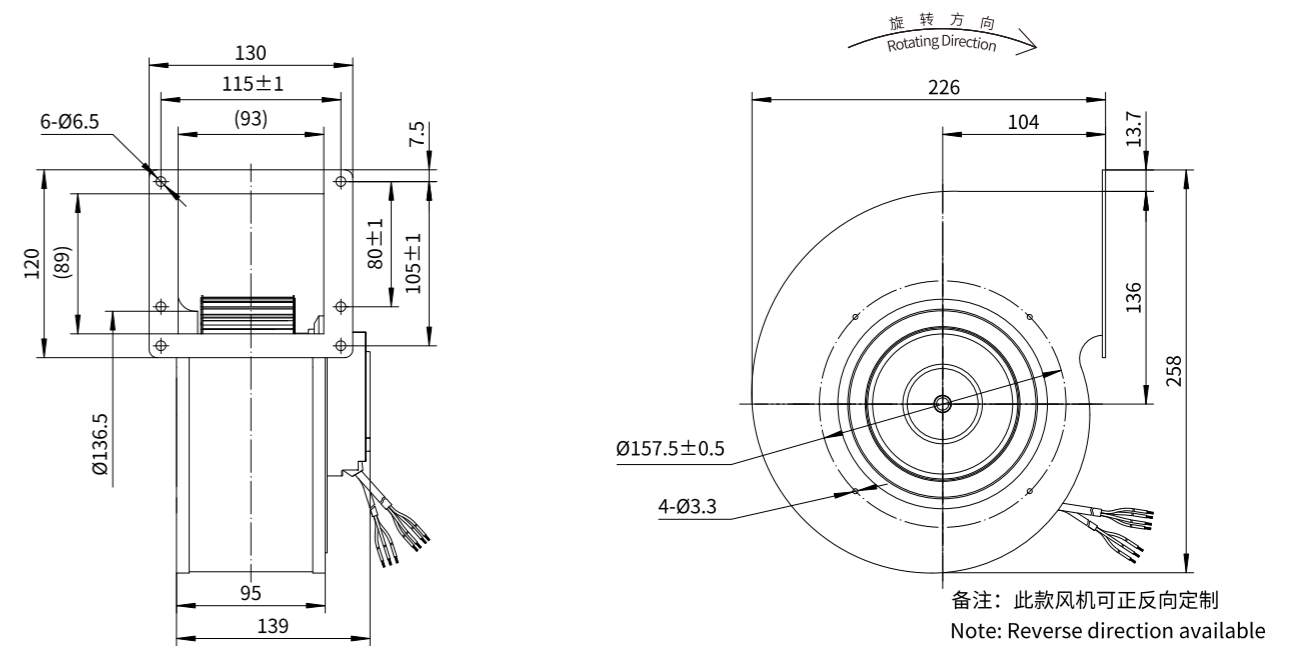


测试节点 Test Point	转速 Speed rpm	输入功率 Input Power W
1	2654	181
2	2919	186
3	3352	194
4	2656	182
5	2869	185
6	3076	189
7	2413	133
8	2407	110
9	2701	70
10	1604	40
11	1597	35
12	1599	30

Erp2015 Data:  
 Efficiency  $\eta_{statA}=45.2\%$   
 Efficiency grade  $N_{actual}=55.9, N_{target}=44$   
 Test report No. : L-20210302-003-031



鼓风机 Blower



产品型号 Model No.	电压 Voltage	频率 Frequency	转速 Speed	输入功率 Input Power	电流 Current	运行温度 Working Temp.	认证 Approvals
	VAC	Hz	RPM	W	A	Min/Max (°C)	
EC92-F150-033	1~220/230	50/60	2680	180	1.45	-20/+60	CCC,CE,UL

EC 前倾离心及鼓风机  
EC Forward Curved Centrifugal Fan and Blower

ErP2015  
EXCEEDS THE NORM

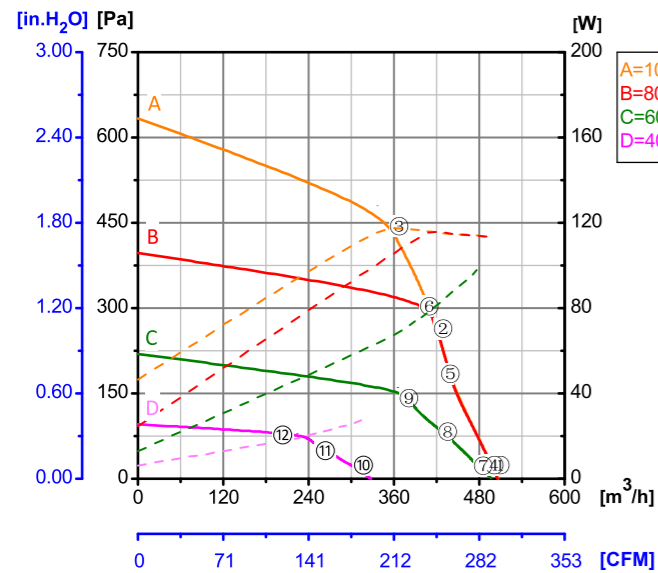
前倾离心风机 Motorized Forward Curved Impeller



Φ 160-L

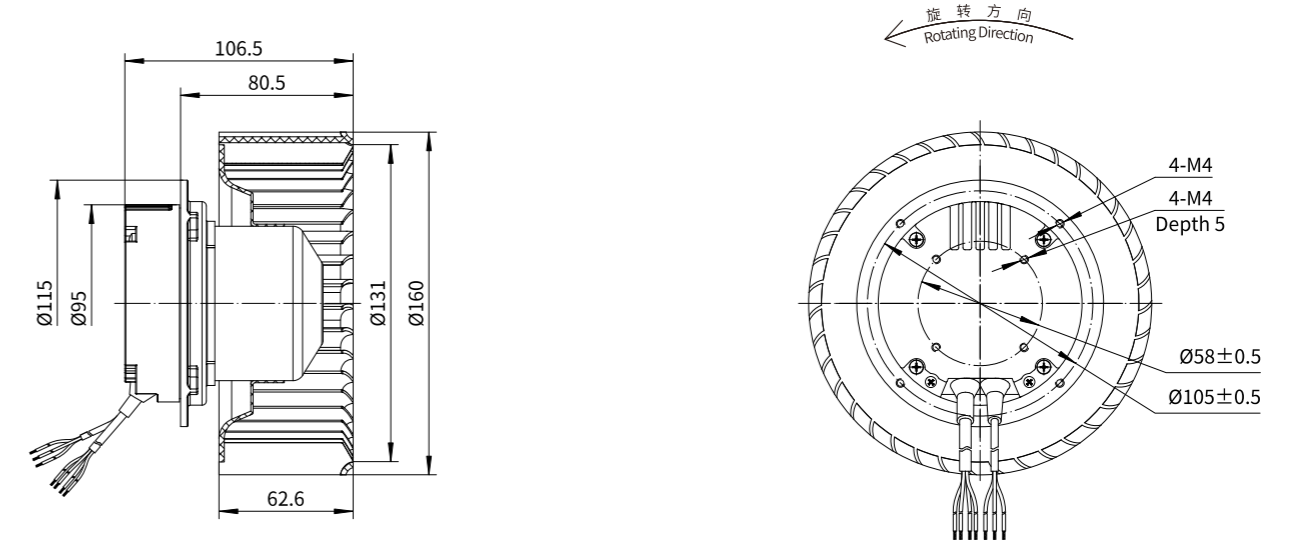
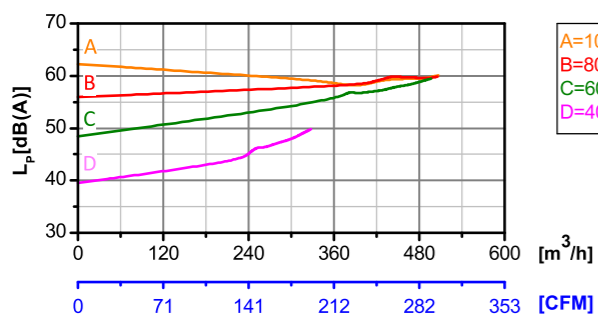
转子材质 Rotor Material: 碳钢 Carbon steel  
 蜗壳材质 Housing Material: 碳钢 Carbon steel  
 叶轮材质 Impeller Material: 塑料 Plastic  
 防护等级 Ingress Protection: IP44  
 绝缘等级 Insulation Class: F  
 轴承类型 Bearing Type: 免维护滚珠轴承  
 Maintenance free ball bearing

性能曲线 Performance Curves

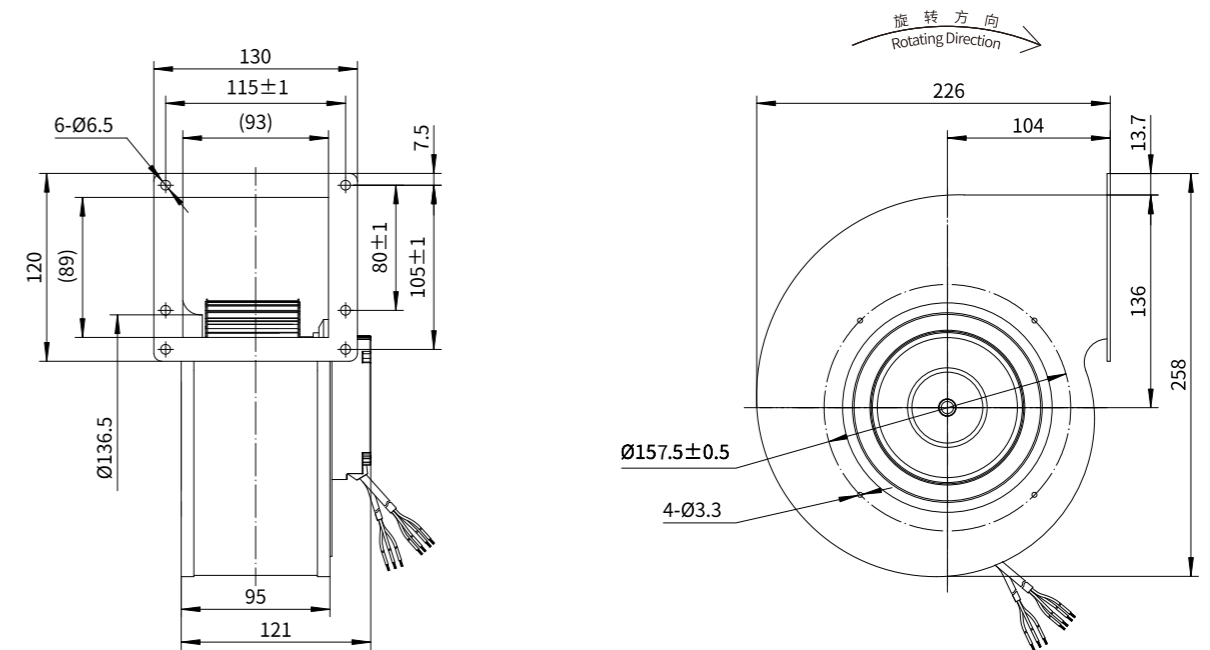


测试节点 Test Point	转速 Speed rpm	输入功率 Input Power W
1	1838	113
2	2141	115
3	2440	117
4	1834	112
5	2053	115
6	2197	115
7	1800	104
8	1804	89
9	1808	74
10	1200	29
11	1197	25
12	1199	20

Erp2015 Data:  
 Efficiency  $\eta_{statA} = *% < 125W$   
 Efficiency grade  $N_{actual} = *, N_{target} = 44$   
 Test report No. : L-20210302-003-015



鼓风机 Blower



产品型号 Model No.	电压 Voltage	频率 Frequency	转速 Speed	输入功率 Input Power	电流 Current	运行温度 Working Temp.	认证 Approvals
	VAC	Hz	RPM	W	A	Min/Max (°C)	
EC72-F160-001	1~220/230	50/60	1750	105	0.84	-20/+60	CCC,CE

EC 前倾离心及鼓风机  
EC Forward Curved Centrifugal Fan and Blower

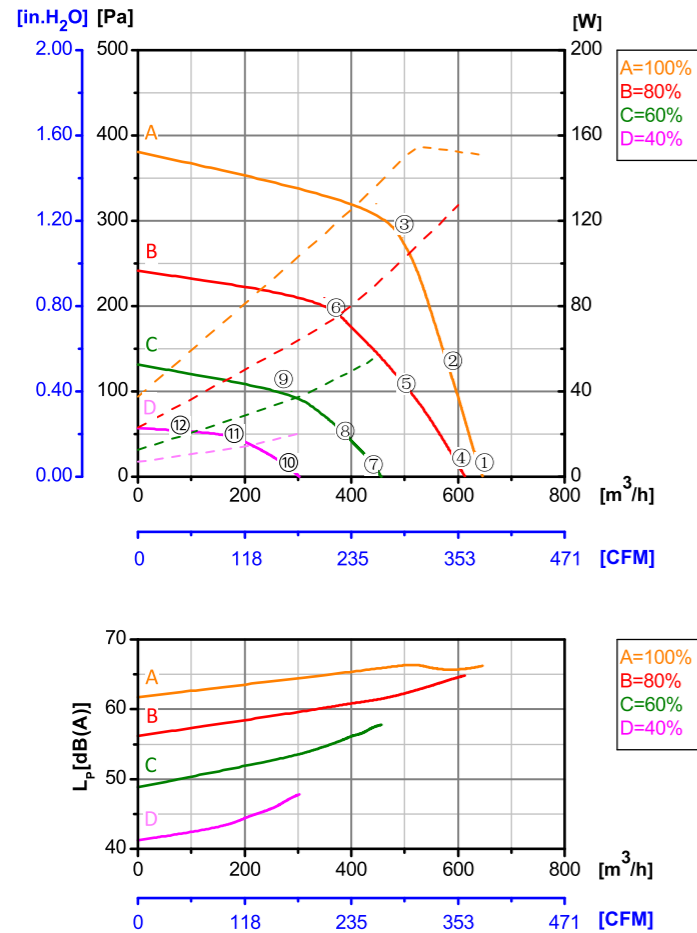
ErP2015  
EXCEEDS THE NORM



Φ 160-H

转子材质 Rotor Material: 碳钢 Carbon steel  
 蜗壳材质 Housing Material: 碳钢 Carbon steel  
 叶轮材质 Impeller Material: 镀锌板 Galvanized steel sheet  
 防护等级 Ingress Protection: IP44  
 绝缘等级 Insulation Class: F  
 轴承类型 Bearing Type: 免维护滚珠轴承  
 Maintenance free ball bearing

性能曲线 Performance Curves

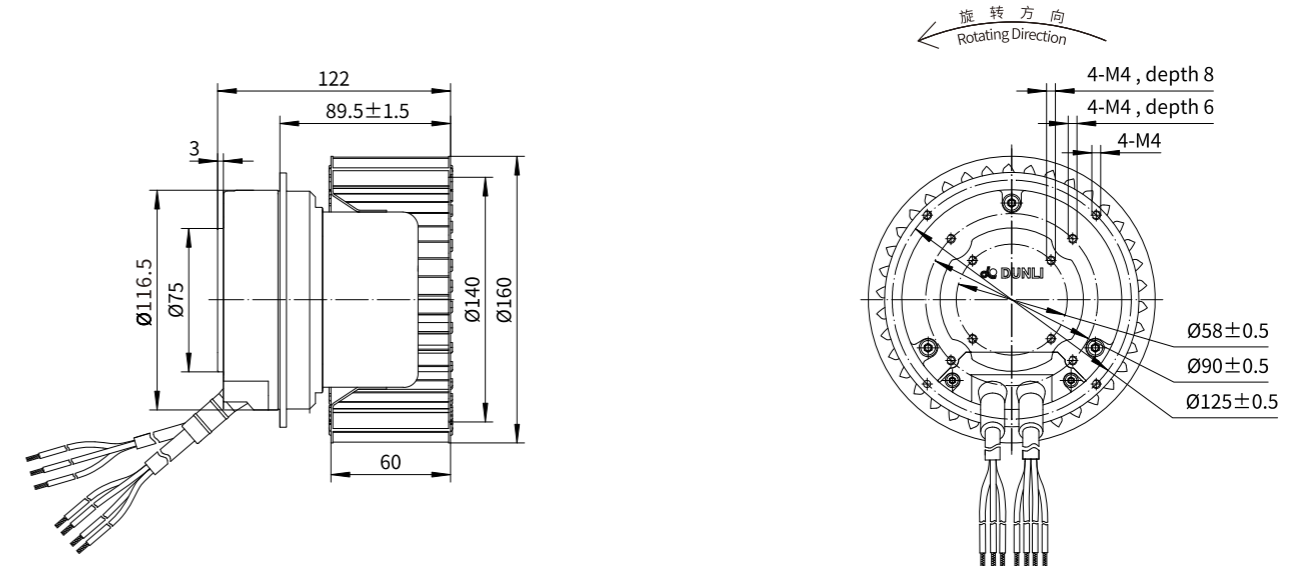


测试节点 Test Point	转速 Speed rpm	输入功率 Input Power W
1	2092	151
2	2258	153
3	2488	150
4	1999	130
5	1997	108
6	1993	79
7	1496	57
8	1491	50
9	1493	36
10	1000	20
11	1000	18
12	1000	14

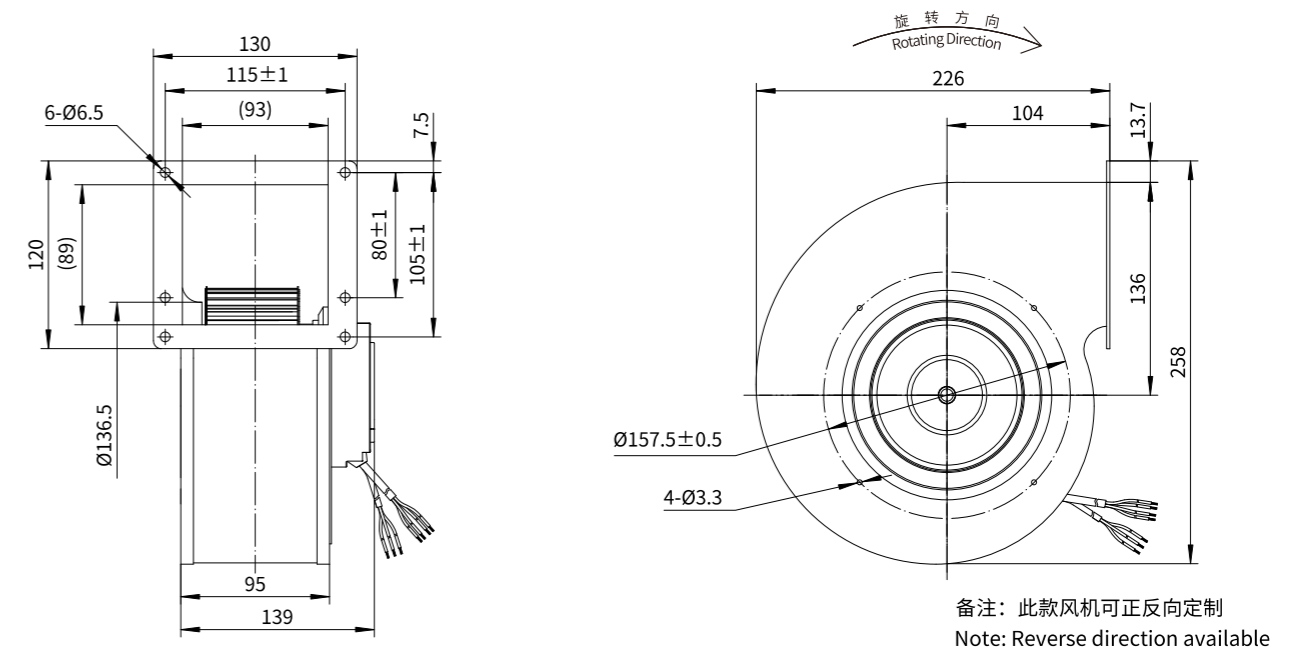
Erp2015 Data:  
 Efficiency  $\eta_{statA}$  = 33.9%  
 Efficiency grade  $N_{actual}$  = 45.8,  $N_{target}$  = 44  
 Test report No. : L-20210302-003-032

产品型号 Model No.	电压 Voltage	频率 Frequency	转速 Speed	输入功率 Input Power	电流 Current	运行温度 Working Temp.	认证 Approvals
	VAC	Hz	RPM	W	A	Min/Max (°C)	
EC92-F160-030	1~220/230	50/60	2100	150	1.15	-20/+60	CCC,CE,UL

前倾离心风机 Motorized Forward Curved Impeller



鼓风机 Blower



EC 前倾离心及鼓风机  
EC Forward Curved Centrifugal Fan and Blower

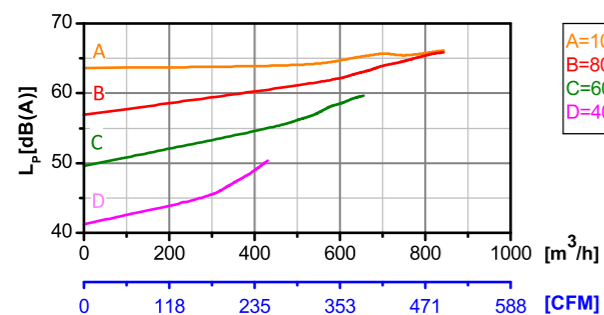
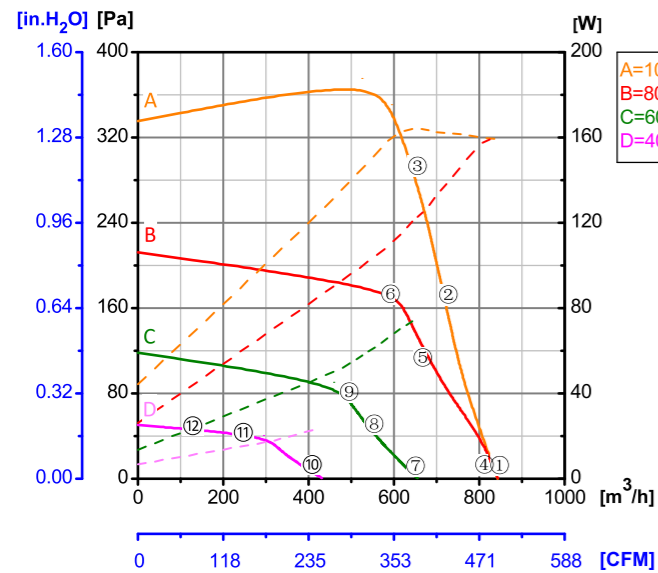
ErP2015  
EXCEEDS THE NORM



Φ 180

转子材质 Rotor Material: 碳钢 Carbon steel  
 蜗壳材质 Housing Material: 碳钢 Carbon steel  
 叶轮材质 Impeller Material: 镀锌板 Galvanized steel sheet  
 防护等级 Ingress Protection: IP44  
 绝缘等级 Insulation Class: F  
 轴承类型 Bearing Type: 免维护滚珠轴承  
 Maintenance free ball bearing

性能曲线 Performance Curves

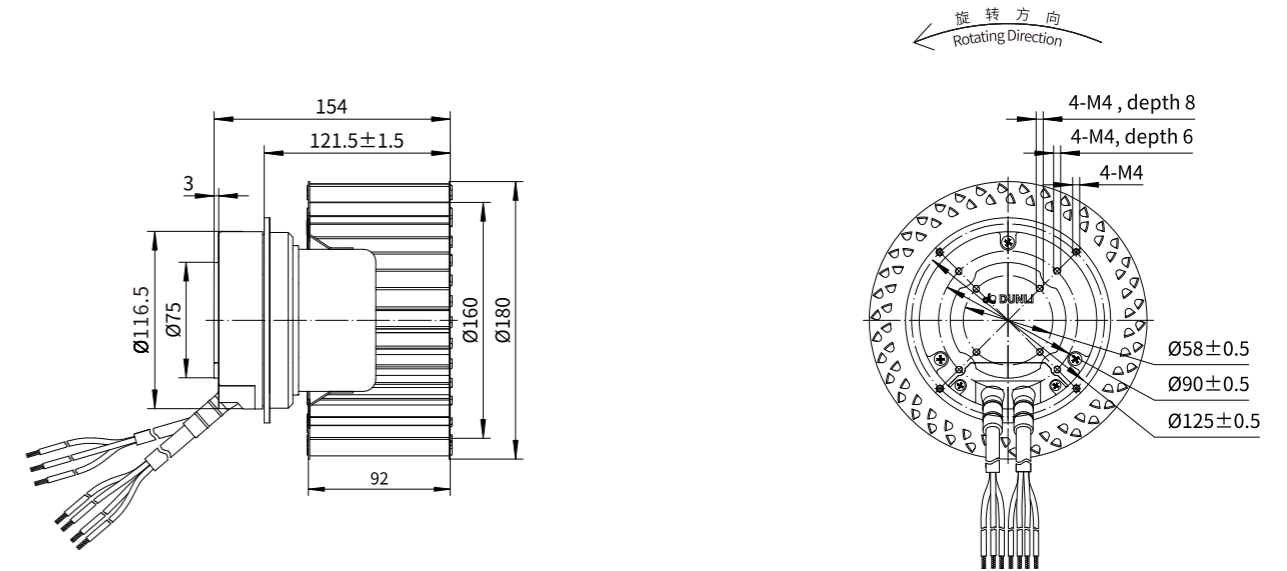


测试节点 Test Point	转速 Speed rpm	输入功率 Input Power W
1	1538	159
2	1750	162
3	1888	164
4	1540	159
5	1595	133
6	1595	116
7	1199	75
8	1198	62
9	1198	55
10	799	24
11	797	20
12	797	17

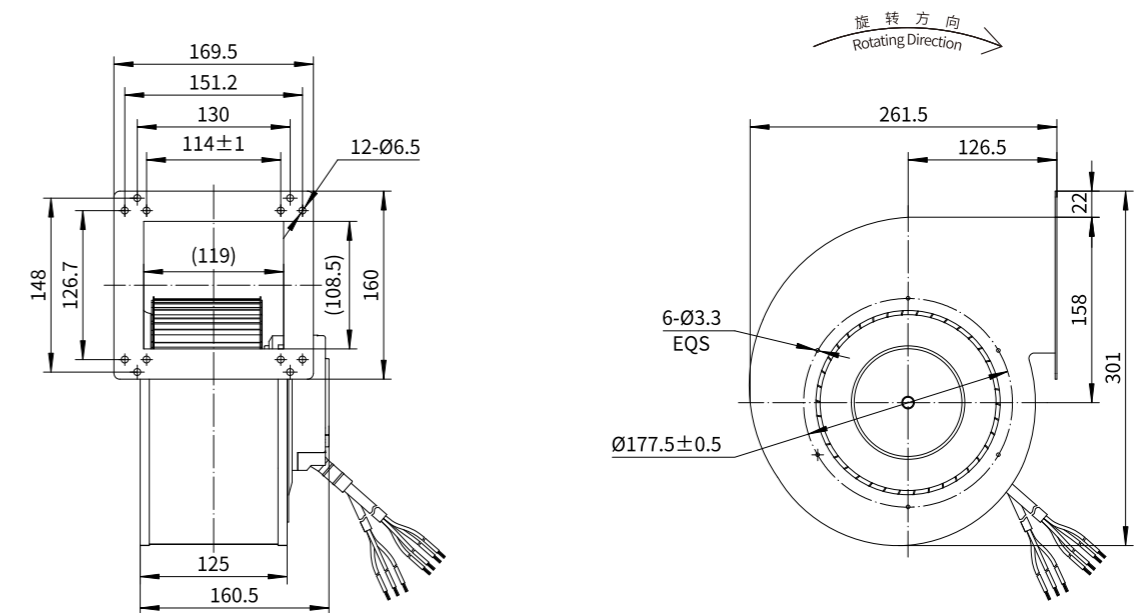
Erp2015 Data:  
 Efficiency  $\eta_{statA}$  = 33.9%  
 Efficiency grade  $N_{actual}$  = 45.8,  $N_{target}$  = 44  
 Test report No. : L-20210302-003-033

产品型号 Model No.	电压 Voltage	频率 Frequency	转速 Speed	输入功率 Input Power	电流 Current	运行温度 Working Temp.	认证 Approvals
	VAC	Hz	RPM	W	A	Min/Max (°C)	
EC92-F180-030	1~220/230	50/60	1520	165	1.23	-20/+60	CCC,CE,UL

前倾离心风机 Motorized Forward Curved Impeller



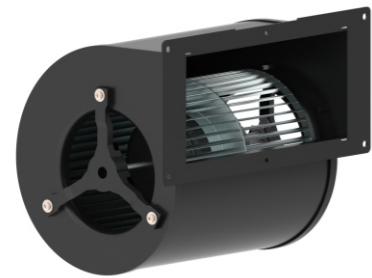
鼓风机 Blower



EC 前倾离心及鼓风机  
EC Forward Curved Centrifugal Fan and Blower

ErP2015  
EXCEEDS THE NORM

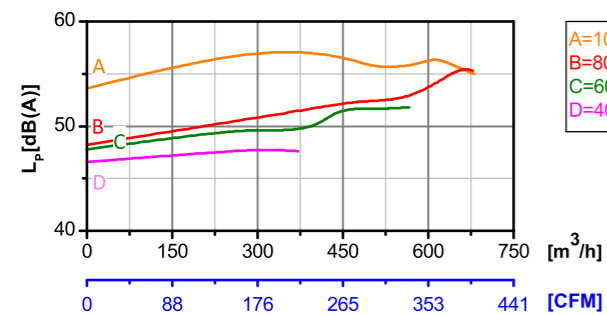
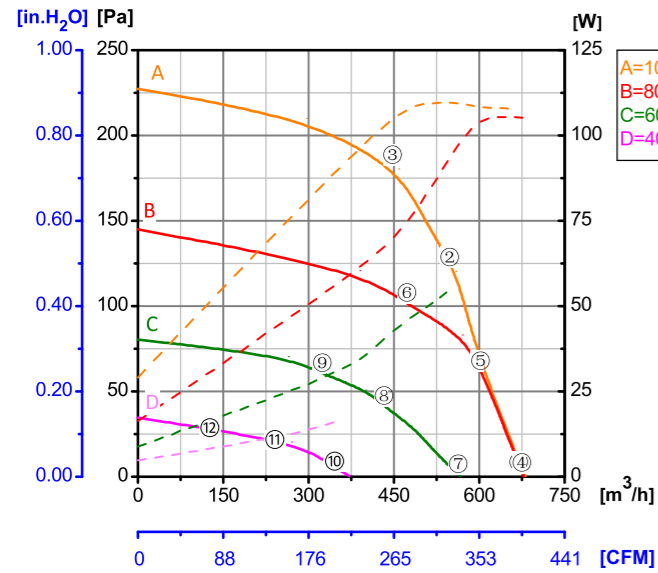
鼓风机 Blower



Φ 133-L (Dual-inlet)

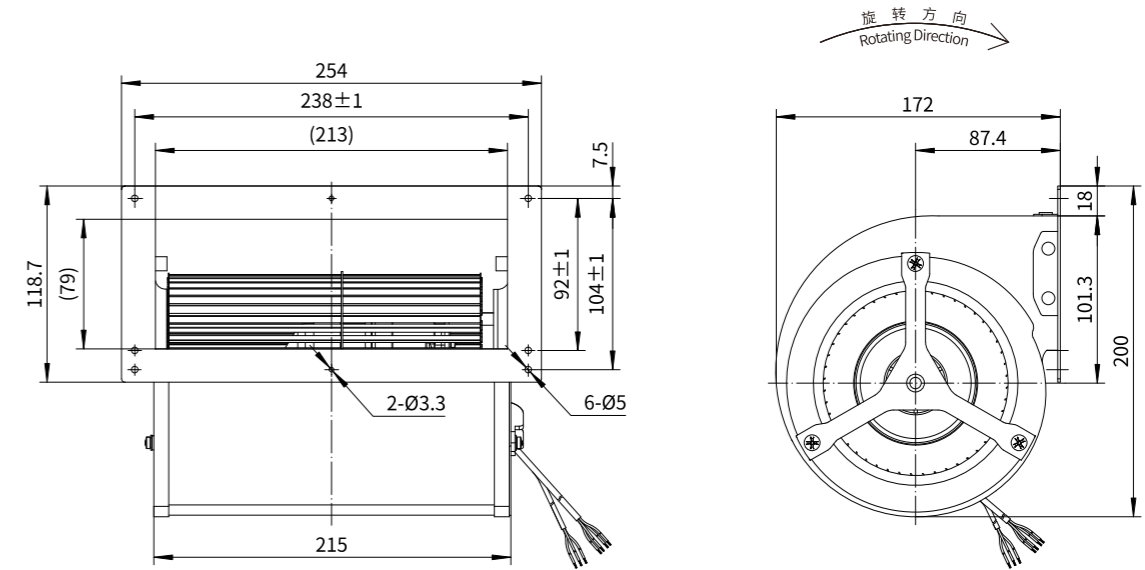
转子材质 Rotor Material: 碳钢 Carbon steel  
 蜗壳材质 Housing Material: 碳钢 Carbon steel  
 叶轮材质 Impeller Material: 镀锌板 Galvanized steel sheet  
 防护等级 Ingress Protection: IP44  
 绝缘等级 Insulation Class: F  
 轴承类型 Bearing Type: 免维护滚珠轴承  
 Maintenance free ball bearing

性能曲线 Performance Curves



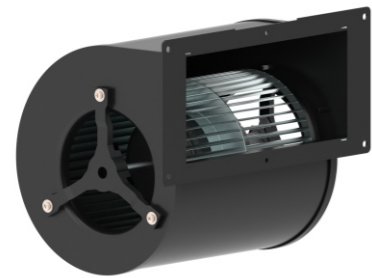
测试节点 Test Point	转速 Speed rpm	输入功率 Input Power W
1	1646	107
2	2035	110
3	2222	108
4	1644	105
5	1791	105
6	1837	73
7	1382	57
8	1394	41
9	1392	29
10	931	17
11	931	15
12	927	12

Erp2015 Data:  
 Efficiency  $\eta_{statA} = * \% < 125W$   
 Efficiency grade  $N_{actual} = *, N_{target} = 44$   
 Test report No. : L-20210302-003-013



产品型号 Model No.	电压 Voltage	频率 Frequency	转速 Speed	输入功率 Input Power	电流 Current	运行温度 Working Temp.	认证 Approvals
	VAC	Hz	RPM	W	A	Min/Max (°C)	
EC72-F133-004	1~220/230	50/60	1730	105	0.86	-20/+60	CCC,CE

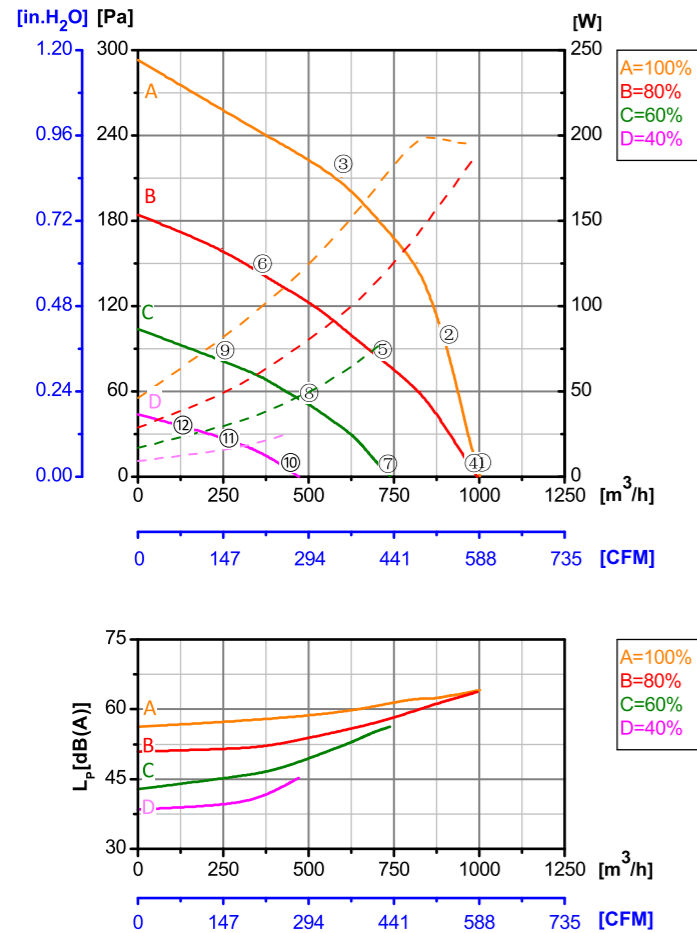
EC 前倾离心及鼓风机  
EC Forward Curved Centrifugal Fan and Blower



Φ 133-H (Dual-inlet)

转子材质 Rotor Material: 碳钢 Carbon steel  
 蜗壳材质 Housing Material: 碳钢 Carbon steel  
 叶轮材质 Impeller Material: 镀锌板 Galvanized steel sheet  
 防护等级 Ingress Protection: IP44  
 绝缘等级 Insulation Class: F  
 轴承类型 Bearing Type: 免维护滚珠轴承  
 Maintenance free ball bearing

性能曲线 Performance Curves

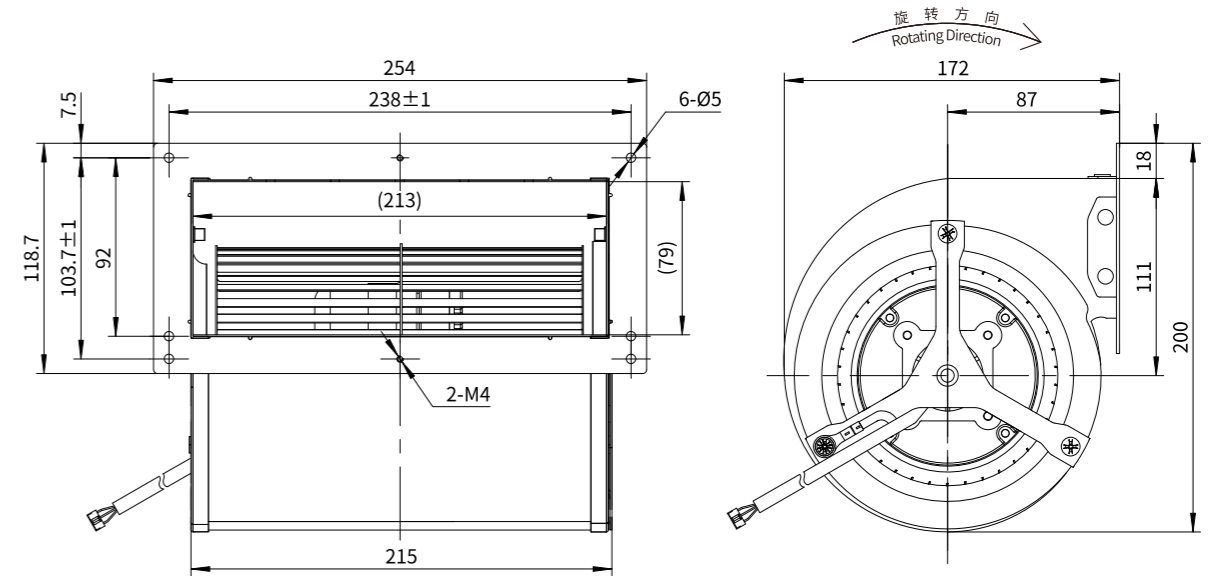


测试节点 Test Point	转速 Speed rpm	输入功率 Input Power W
1	1997	197
2	2270	198
3	2502	144
4	2004	190
5	2004	120
6	2000	63
7	1518	83
8	1518	50
9	1512	30
10	1010	27
11	1009	19
12	1007	14

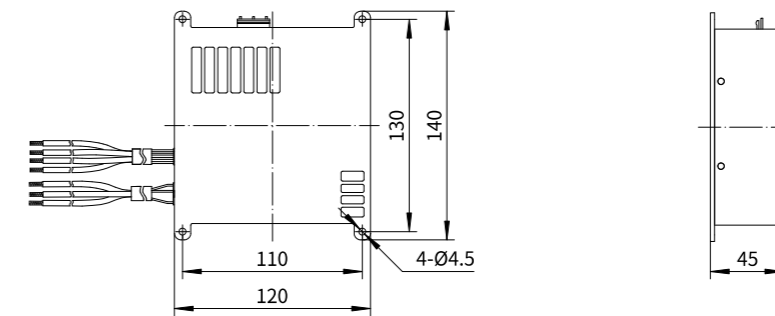
Erp2015 Data:  
 Efficiency  $\eta_{statA} = *%$   
 Efficiency grade  $N_{actual} = *, N_{target} = 44$   
 Test report No. : L-20210302-003-034

产品型号 Model No.	电压 Voltage	频率 Frequency	转速 Speed	输入功率 Input Power	电流 Current	运行温度 Working Temp.	认证 Approvals
	VAC	Hz	RPM	W	A	Min/Max (°C)	
EC92-F133-010	1~220/230	50/60	2130	200	1.40	-20/+60	CCC,CE

鼓风机 Blower



外接控制器 External Controller

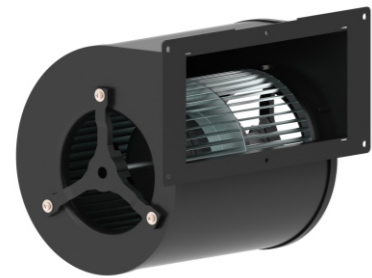




EC 前倾离心及鼓风机  
EC Forward Curved Centrifugal Fan and Blower

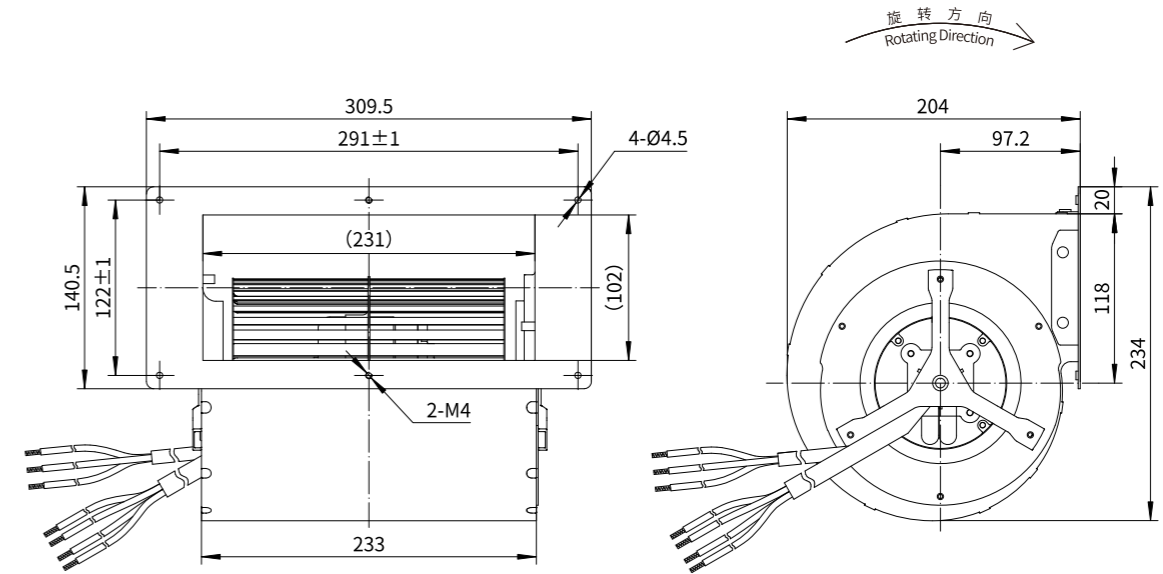
ErP2015  
III EXCEEDS THE NORM

鼓风机 Blower

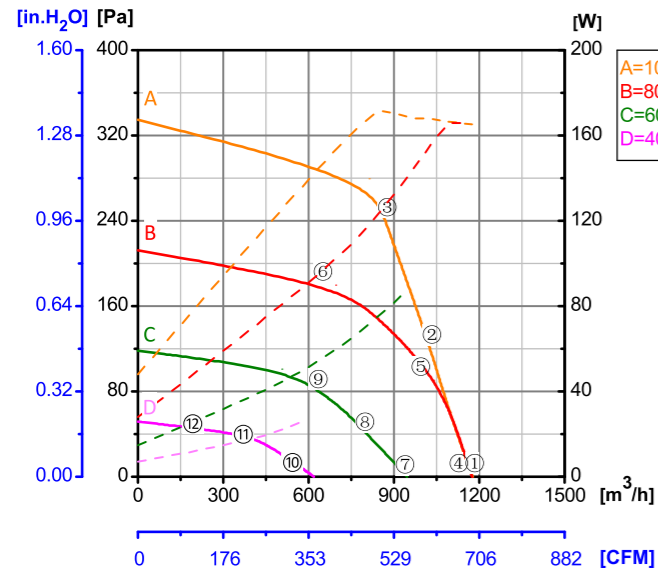


Φ 146-L (Dual-inlet)

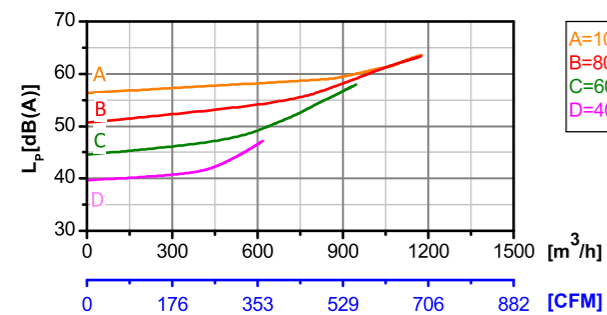
转子材质 Rotor Material: 碳钢 Carbon steel  
 蜗壳材质 Housing Material: 碳钢 Carbon steel  
 叶轮材质 Impeller Material: 镀锌板 Galvanized steel sheet  
 防护等级 Ingress Protection: IP44  
 绝缘等级 Insulation Class: F  
 轴承类型 Bearing Type: 免维护滚珠轴承  
 Maintenance free ball bearing



性能曲线 Performance Curves



测试节点 Test Point	转速 Speed rpm	输入功率 Input Power W
1	1698	165
2	1926	168
3	2163	171
4	1704	165
5	1843	158
6	1842	100
7	1381	87
8	1381	71
9	1380	55
10	921	28
11	920	22
12	921	17



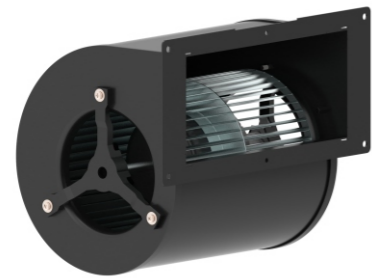
Erp2015 Data:  
 Efficiency  $\eta_{statA}$  = 41.6%  
 Efficiency grade  $N_{actual}$  = 52.7,  $N_{target}$  = 44  
 Test report No. : L-20210302-003-035

产品型号 Model No.	电压 Voltage	频率 Frequency	转速 Speed	输入功率 Input Power	电流 Current	运行温度 Working Temp.	认证 Approvals
	VAC	Hz	RPM	W	A	Min/Max (°C)	
EC92-F146-020	1~220/230	50/60	1830	165	1.30	-20/+60	CCC,CE,UL

EC 前倾离心及鼓风机  
EC Forward Curved Centrifugal Fan and Blower

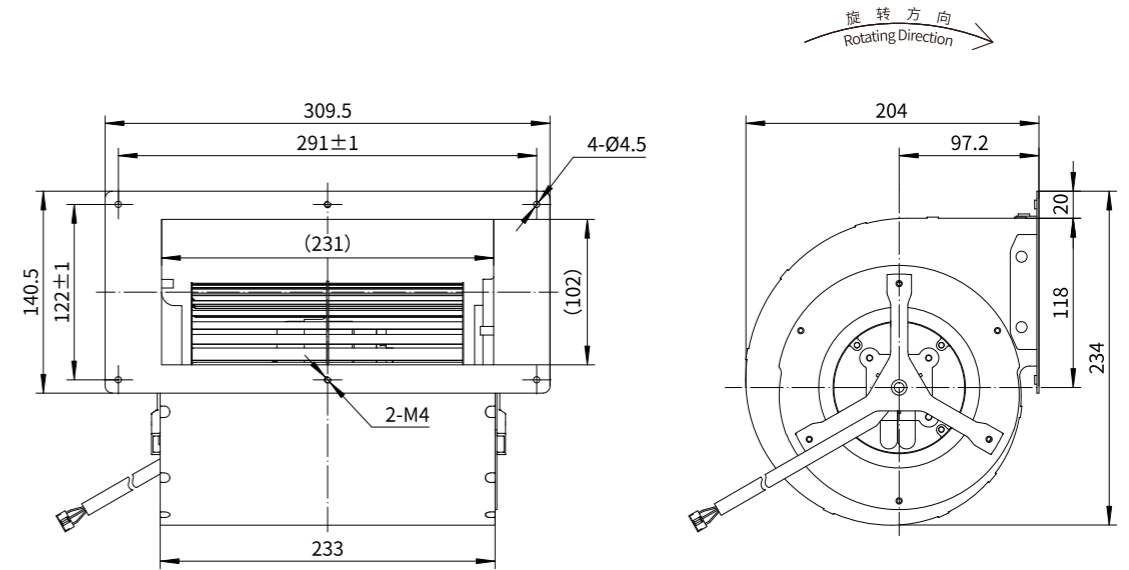
ErP2015  
EXCEEDS THE NORM

鼓风机 Blower

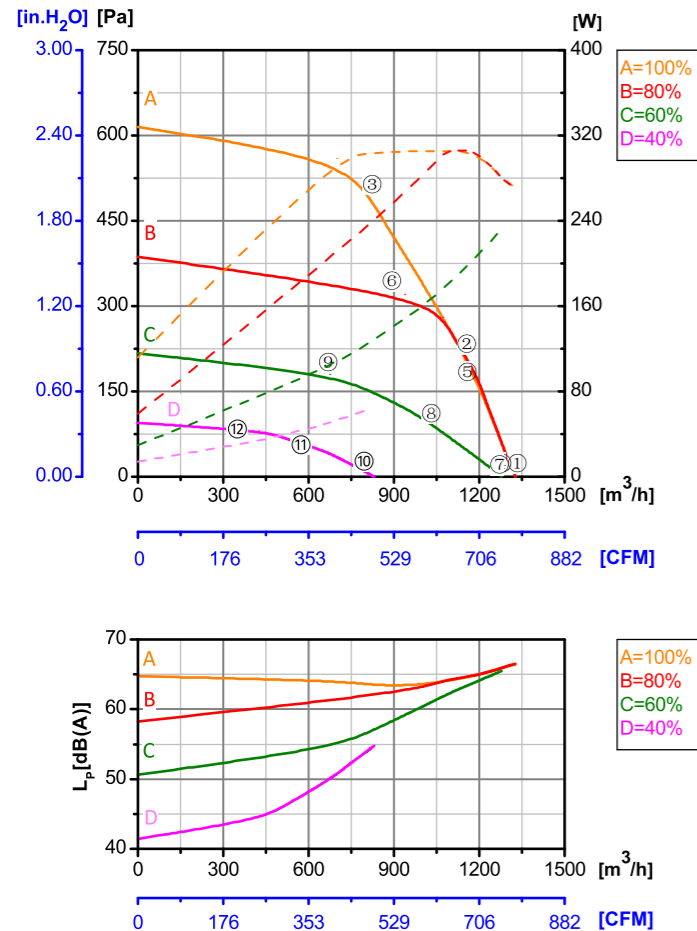


Φ 146-H (Dual-inlet)

转子材质 Rotor Material: 碳钢 Carbon steel  
 蜗壳材质 Housing Material: 碳钢 Carbon steel  
 叶轮材质 Impeller Material: 镀锌板 Galvanized steel sheet  
 防护等级 Ingress Protection: IP44  
 绝缘等级 Insulation Class: F  
 轴承类型 Bearing Type: 免维护滚珠轴承  
 Maintenance free ball bearing



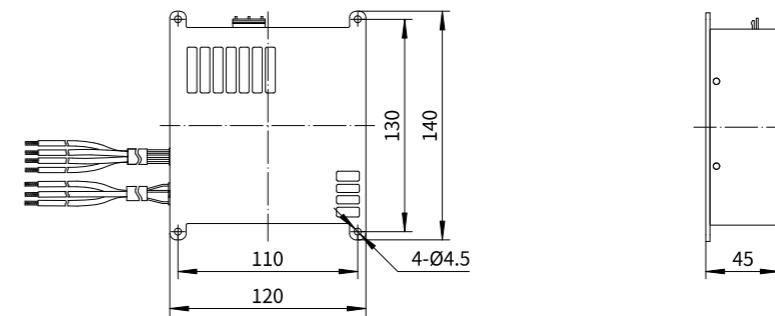
性能曲线 Performance Curves



测试节点 Test Point	转速 Speed rpm	输入功率 Input Power W
1	1925	270
2	2340	305
3	2898	303
4	1930	270
5	2249	300
6	2477	261
7	1860	232
8	1861	168
9	1861	102
10	1246	65
11	1246	51
12	1244	39

Erp2015 Data:  
 Efficiency  $\eta_{statA}=41.1\%$   
 Efficiency grade  $N_{actual}=50.7, N_{target}=44$   
 Test report No. : L-20210302-003-036

外接控制器 External Controller



产品型号 Model No.	电压 Voltage	频率 Frequency	转速 Speed	输入功率 Input Power	电流 Current	运行温度 Working Temp.	认证 Approvals
	VAC	Hz	RPM	W	A	Min/Max (°C)	
EC92-F146-037	1~220/230	50/60	2100	295	1.98	-20/+60	CCC,CE

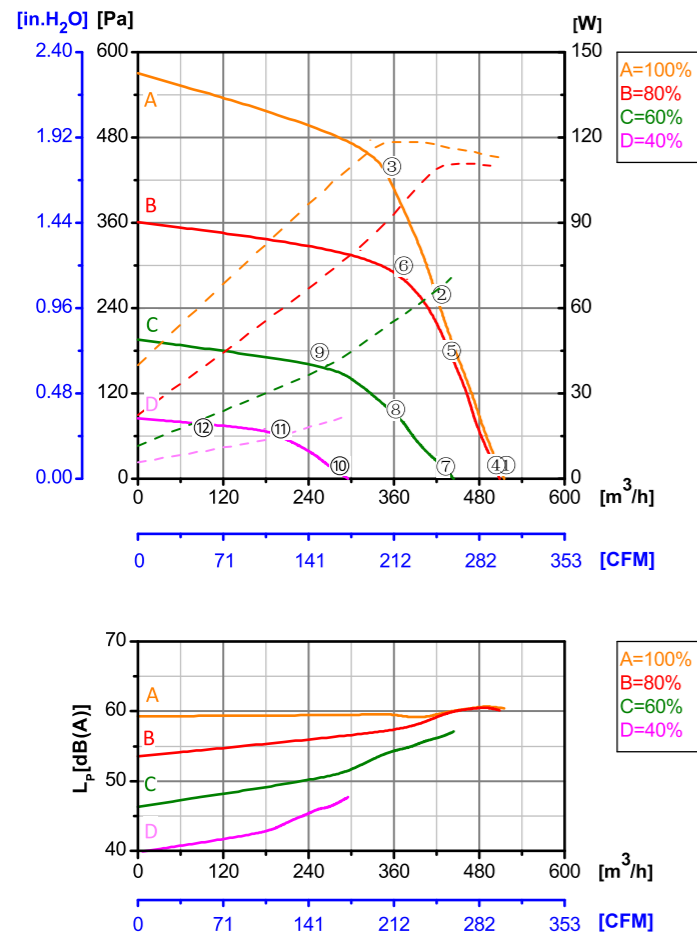
DC 前倾离心及鼓风机  
DC Forward Curved Centrifugal Fan and Blower



Φ 140

转子材质 Rotor Material: 碳钢 Carbon steel  
 蜗壳材质 Housing Material: 碳钢 Carbon steel  
 叶轮材质 Impeller Material: 塑料 Plastic  
 防护等级 Ingress Protection: IP42  
 绝缘等级 Insulation Class: F  
 轴承类型 Bearing Type: 免维护滚珠轴承  
 Maintenance free ball bearing

性能曲线 Performance Curves

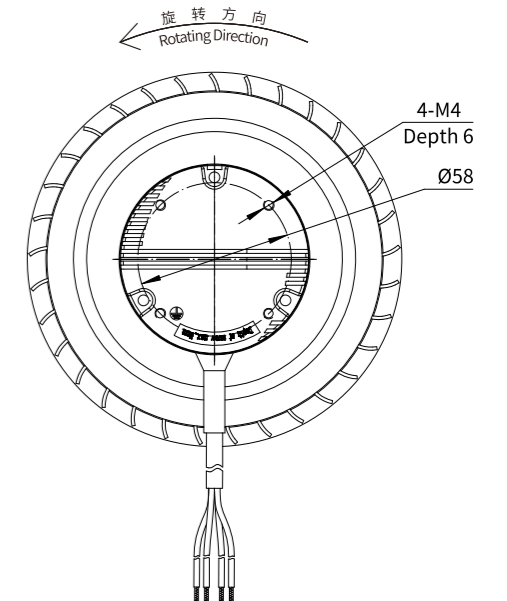
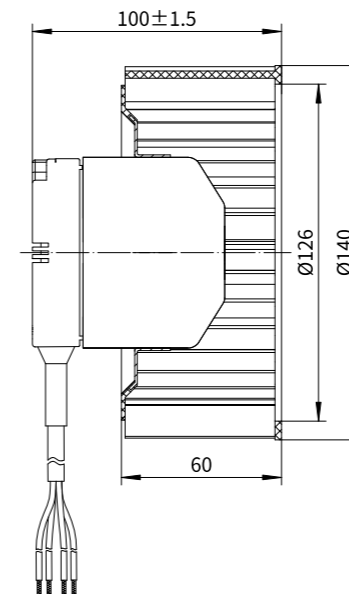


测试节点 Test Point	转速 Speed rpm	输入功率 Input Power W
1	2200	112
2	2576	117
3	2901	118
4	2196	109
5	2416	110
6	2550	98
7	1918	71
8	1922	58
9	1902	39
10	1292	22
11	1293	19
12	1279	15

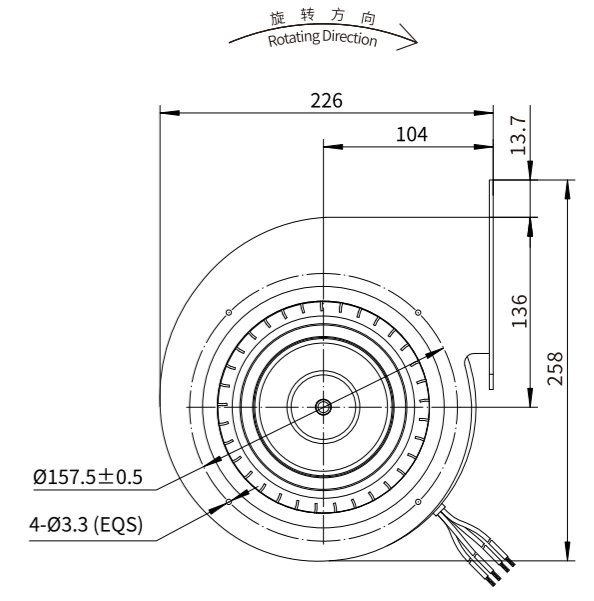
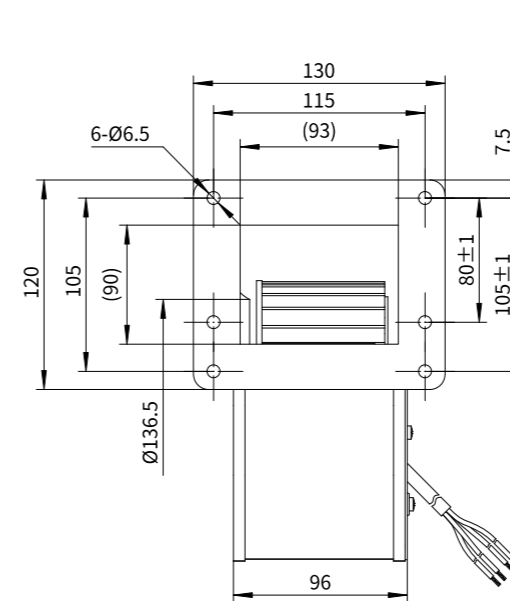
Erp2015 Data:  
 Efficiency  $\eta_{statA} = \% < 125W$   
 Efficiency grade  $N_{actual} = *, N_{target} = 44$   
 Test report No. : L-20210302-003-097

产品型号 Model No.	电压 Voltage VDC	频率 Frequency Hz	转速 Speed RPM	输入功率 Input Power W	电流 Current A	运行温度 Working Temp. Min/Max (°C)	认证 Approvals
DC72-F140-D10	DC 310	/	2250	115	0.37	-20/+60	CCC,CE

前倾离心风机 Motorized Forward Curved Impeller



鼓风机 Blower



DC 前倾离心及鼓风机  
DC Forward Curved Centrifugal Fan and Blower

ErP2015  
EXCEEDS THE NORM

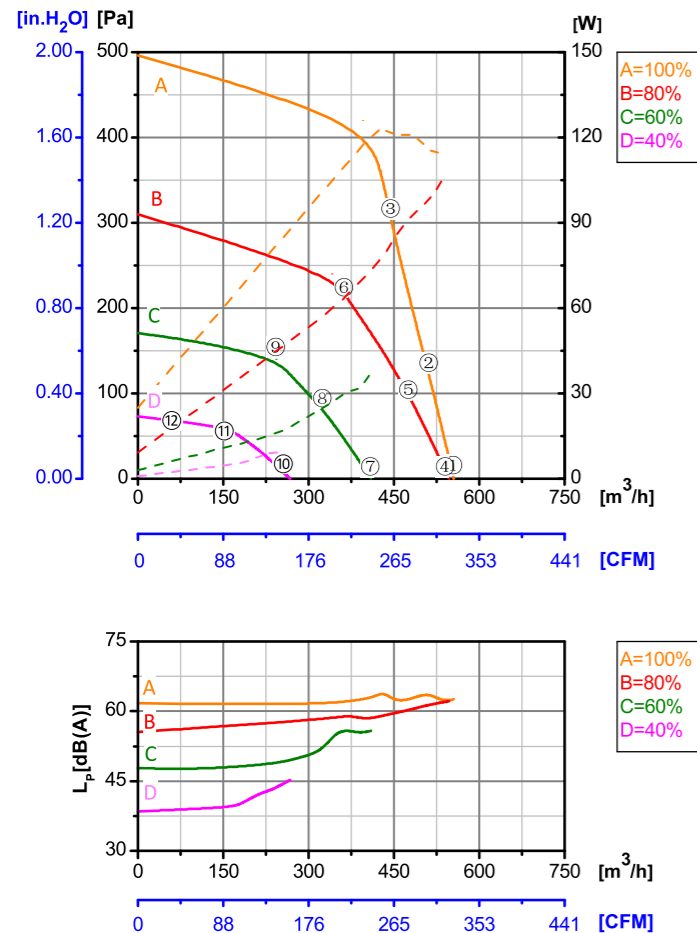
前倾离心风机 Motorized Forward Curved Impeller



Φ 150

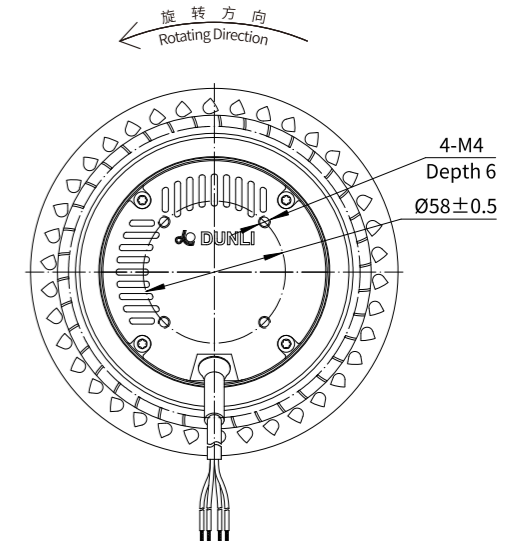
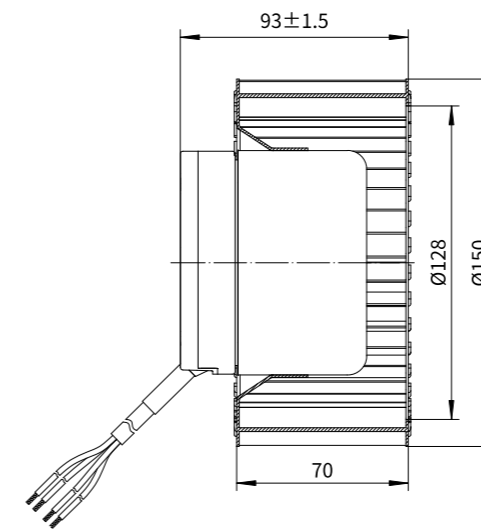
转子材质 Rotor Material: 碳钢 Carbon steel  
 蜗壳材质 Housing Material: 碳钢 Carbon steel  
 叶轮材质 Impeller Material: 镀锌板 Galvanized steel sheet  
 防护等级 Ingress Protection: IP42  
 绝缘等级 Insulation Class: F  
 轴承类型 Bearing Type: 免维护滚珠轴承  
 Maintenance free ball bearing

性能曲线 Performance Curves

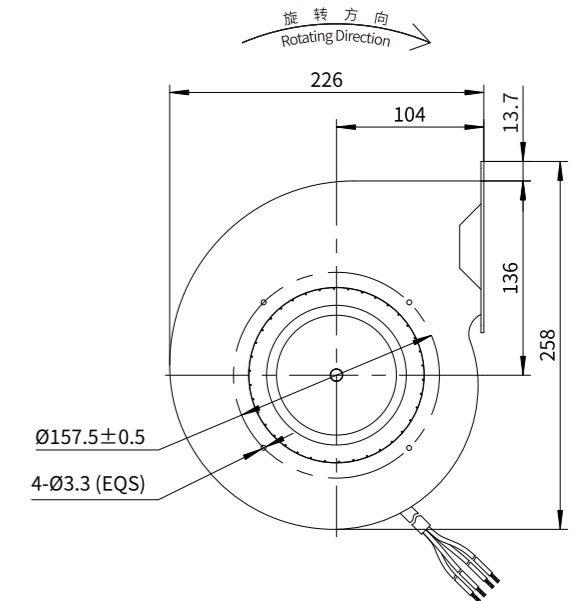
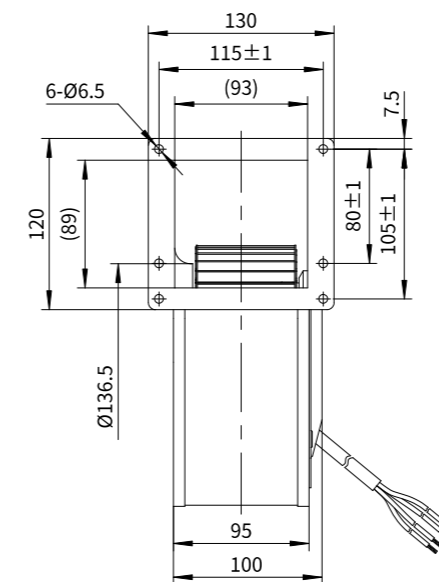


测试节点 Test Point	转速 Speed rpm	输入功率 Input Power W
1	2426	115
2	2587	115
3	2863	121
4	2389	109
5	2388	93
6	2391	65
7	1798	37
8	1798	25
9	1796	16
10	1196	11
11	1196	9
12	1196	6

Erp2015 Data:  
 Efficiency  $\eta_{statA}=45.2\%$   
 Efficiency grade  $N_{actual}=57.3, N_{target}=44$   
 Test report No. : L-20210302-003-037



鼓风机 Blower



产品型号 Model No.	电压 Voltage	频率 Frequency	转速 Speed	输入功率 Input Power	电流 Current	运行温度 Working Temp.	认证 Approvals
	VDC	Hz	RPM	W	A	Min/Max (°C)	
DC92-F150-A10	24	/	2450	120	5.00	-20/+60	CE
DC92-F150-C10	48	/	2450	120	2.50	-20/+60	CCC,CE
DC92-F150-031	310	/	2450	120	0.39	-20/+60	CCC,CE

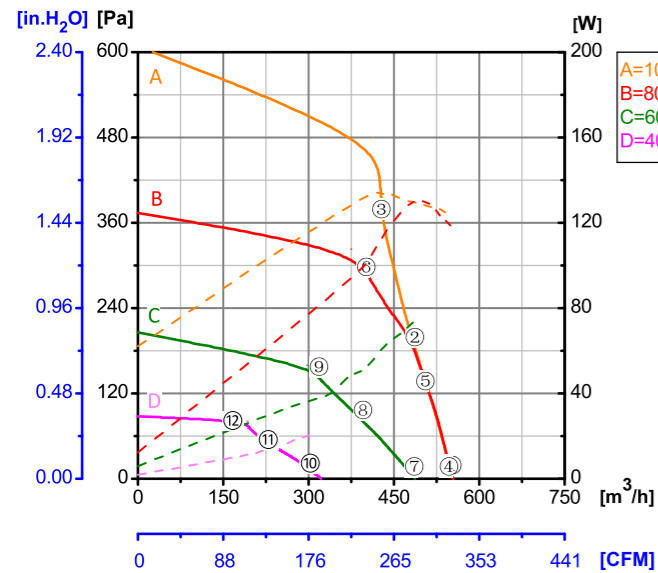
DC 前倾离心及鼓风机  
DC Forward Curved Centrifugal Fan and Blower



Φ 160-L

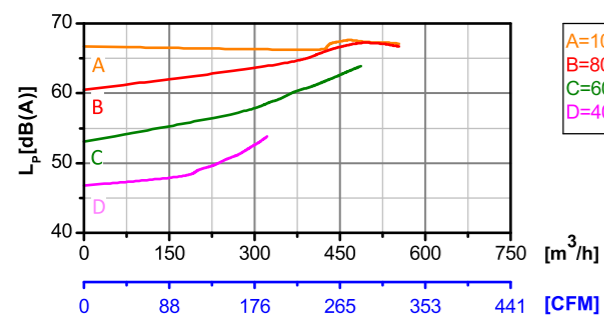
转子材质 Rotor Material: 碳钢 Carbon steel  
 蜗壳材质 Housing Material: 碳钢 Carbon steel  
 叶轮材质 Impeller Material: 塑料 Plastic  
 防护等级 Ingress Protection: IP42  
 绝缘等级 Insulation Class: F  
 轴承类型 Bearing Type: 免维护滚珠轴承  
 Maintenance free ball bearing

性能曲线 Performance Curves



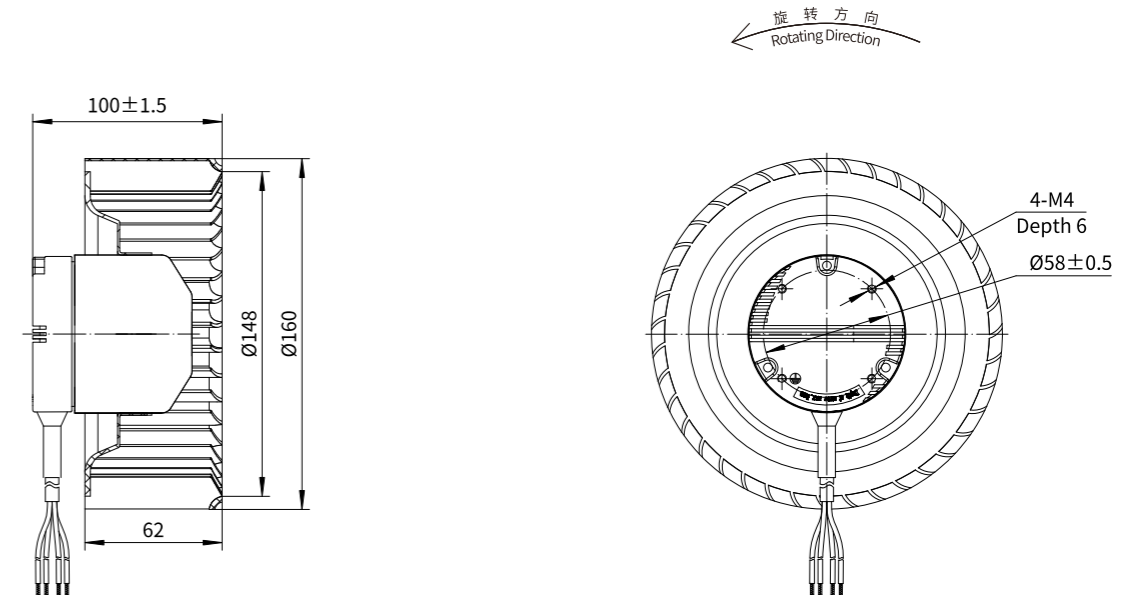
测试节点 Test Point	转速 Speed rpm	输入功率 Input Power W
1	1838	113
2	2141	115
3	2440	117
4	1834	112
5	2053	115
6	2197	115
7	1800	104
8	1804	89
9	1808	74
10	1200	29
11	1197	25
12	1199	20

Erp2015 Data:  
 Efficiency  $\eta_{statA} = *%$   
 Efficiency grade  $N_{actual} = *, N_{target} = 44$   
 Test report No. : L-20210302-003-015

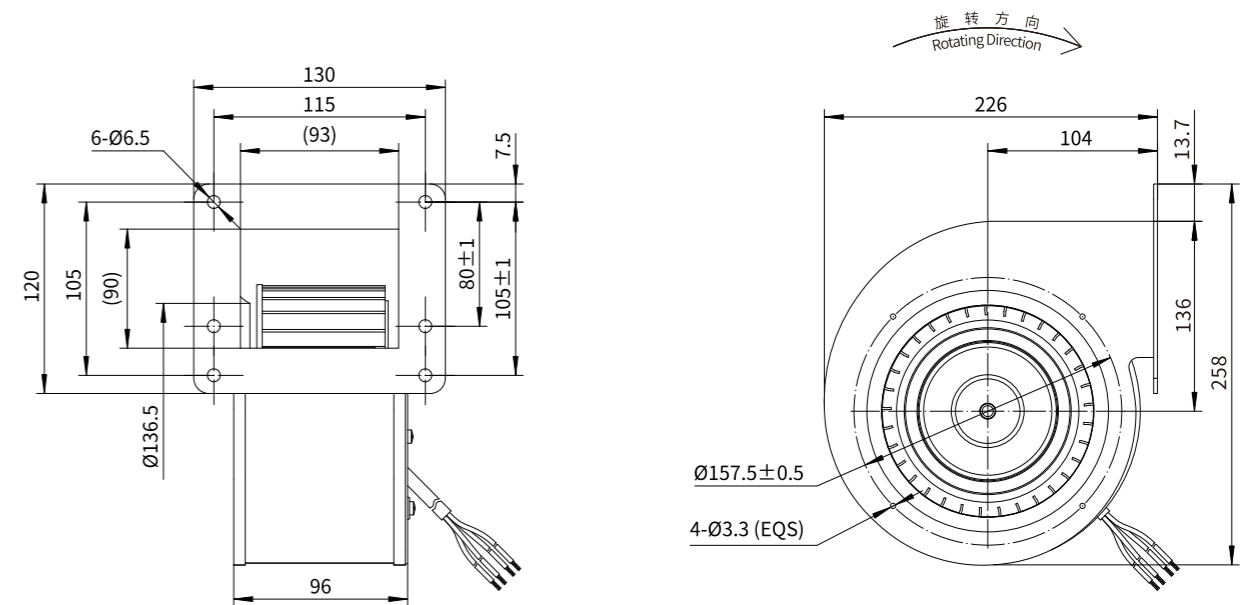


产品型号 Model No.	电压 Voltage VDC	频率 Frequency Hz	转速 Speed RPM	输入功率 Input Power W	电流 Current A	运行温度 Working Temp. Min/Max (°C)	认证 Approvals
DC72-F160-D10	310	/	1880	115	0.37	-20/+60	CCC,CE

前倾离心风机 Motorized Forward Curved Impeller



鼓风机 Blower



DC 前倾离心及鼓风机  
DC Forward Curved Centrifugal Fan and Blower

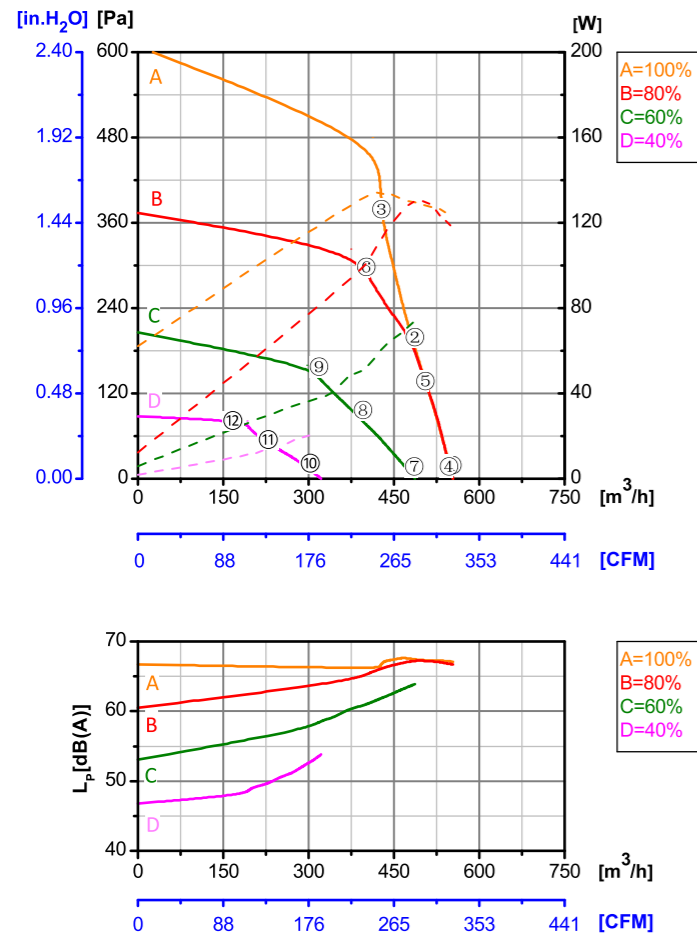
ErP2015  
EXCEEDS THE NORM



Φ 160-H

转子材质 Rotor Material: 碳钢 Carbon steel  
 蜗壳材质 Housing Material: 碳钢 Carbon steel  
 叶轮材质 Impeller Material: 镀锌板 Galvanized steel sheet  
 防护等级 Ingress Protection: IP42  
 绝缘等级 Insulation Class: F  
 轴承类型 Bearing Type: 免维护滚珠轴承  
 Maintenance free ball bearing

性能曲线 Performance Curves

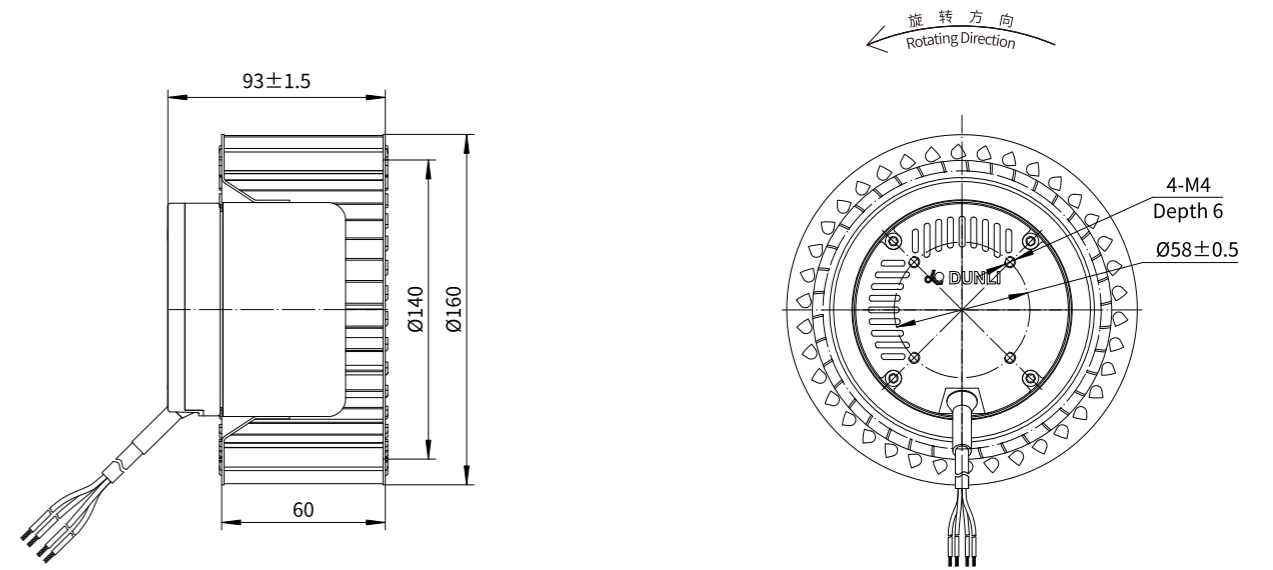


测试节点 Test Point	转速 Speed rpm	输入功率 Input Power W
1	2090	121
2	2424	130
3	2684	133
4	2089	118
5	2320	130
6	2447	102
7	1844	75
8	1839	50
9	1844	37
10	1232	22
11	1234	18
12	1236	11

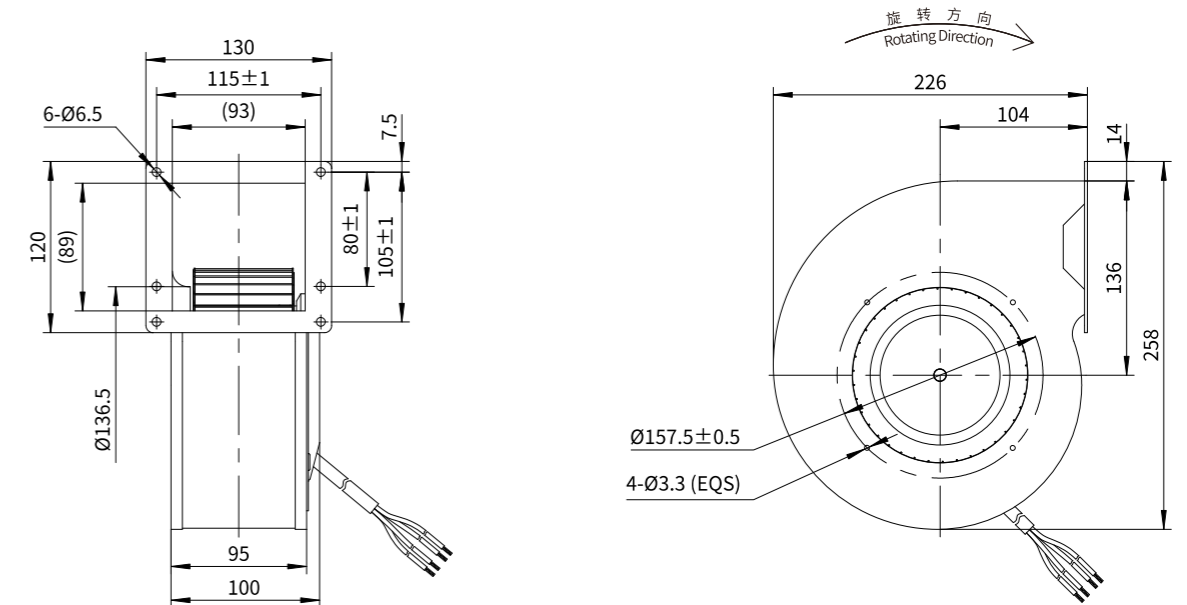
Erp2015 Data:  
 Efficiency  $\eta_{statA}=41.1\%$   
 Efficiency grade  $N_{actual}=50.7, N_{target}=44$   
 Test report No. : L-20210302-003-038

产品型号 Model No.	电压 Voltage	频率 Frequency	转速 Speed	输入功率 Input Power	电流 Current	运行温度 Working Temp.	认证 Approvals
	VDC	Hz	RPM	W	A	Min/Max (°C)	
DC92-F160-A10	24	/	2000	125	5.2	-20/+60	CE
DC92-F160-C10	48	/	2000	125	2.6	-20/+60	CCC,CE
DC92-F160-007	310	/	2000	125	0.40	-20/+60	CCC,CE

前倾离心风机 Motorized Forward Curved Impeller



鼓风机 Blower



DC 前倾离心及鼓风机  
DC Forward Curved Centrifugal Fan and Blower

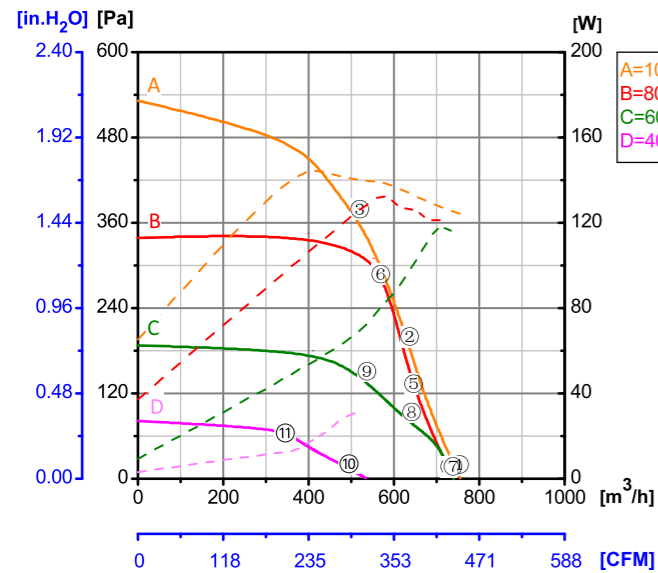
ErP2015  
EXCEEDS THE NORM



Φ 180

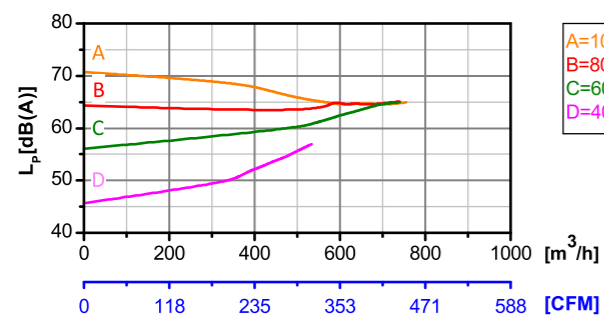
转子材质 Rotor Material: 碳钢 Carbon steel  
 蜗壳材质 Housing Material: 碳钢 Carbon steel  
 叶轮材质 Impeller Material: 镀锌板 Galvanized steel sheet  
 防护等级 Ingress Protection: IP42  
 绝缘等级 Insulation Class: F  
 轴承类型 Bearing Type: 免维护滚珠轴承  
 Maintenance free ball bearing

性能曲线 Performance Curves



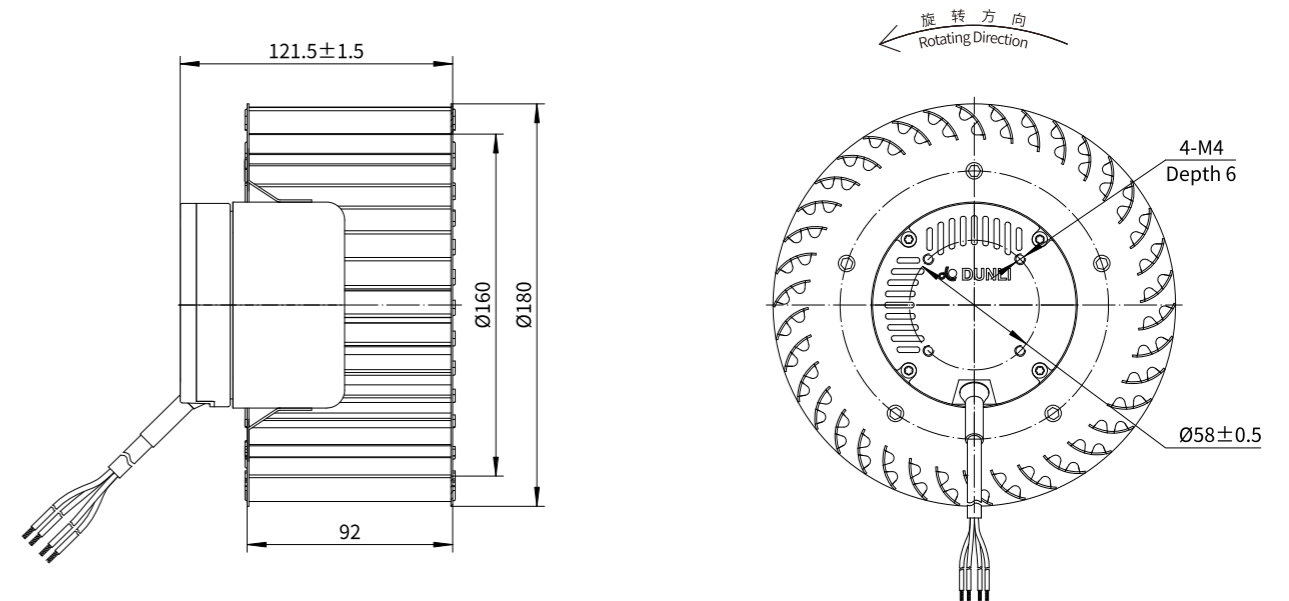
测试节点 Test Point	转速 Speed rpm	输入功率 Input Power W
1	1389	124
2	1709	130
3	2030	139
4	1356	116
5	1592	126
6	1842	133
7	1357	116
8	1463	99
9	1463	73
10	994	31
11	992	16
12	/	/

Erp2015 Data:  
 Efficiency  $\eta_{statA}=42.9\%$   
 Efficiency grade  $N_{actual}=54.6, N_{target}=44$   
 Test report No. : L-20210302-003-039

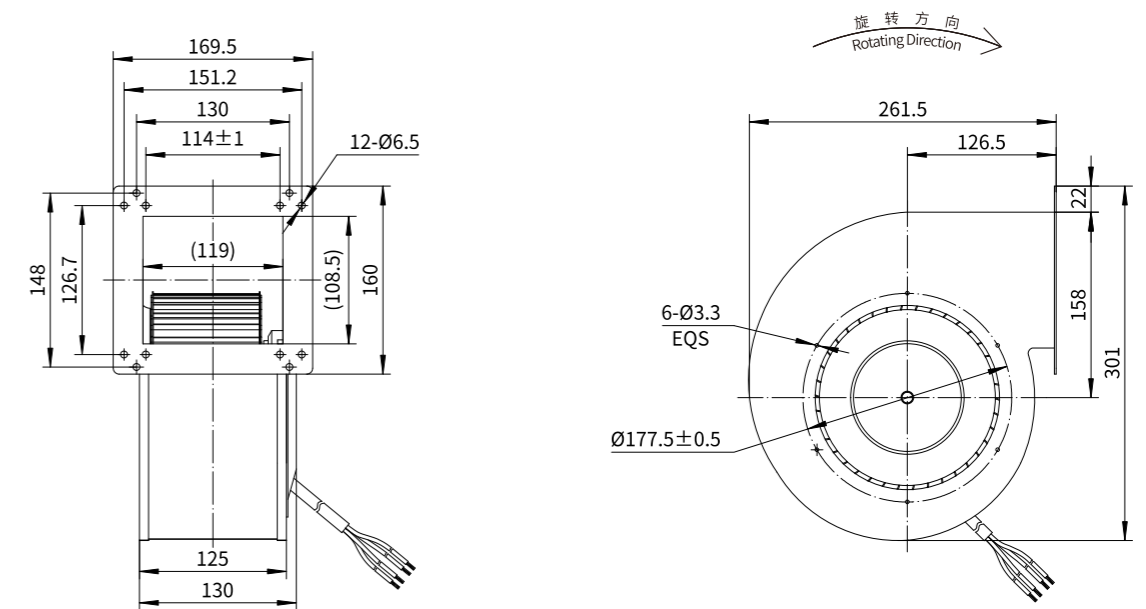


产品型号 Model No.	电压 Voltage	频率 Frequency	转速 Speed	输入功率 Input Power	电流 Current	运行温度 Working Temp.	认证 Approvals
	VDC	Hz	RPM	W	A	Min/Max (°C)	
DC92-F180-A10	24	/	1400	130	5.4	-20/+60	CE
DC92-F180-C10	48	/	1400	130	2.7	-20/+60	CCC,CE
DC92-F180-002	310	/	1400	130	0.42	-20/+60	CCC,CE

前倾离心风机 Motorized Forward Curved Impeller



鼓风机 Blower



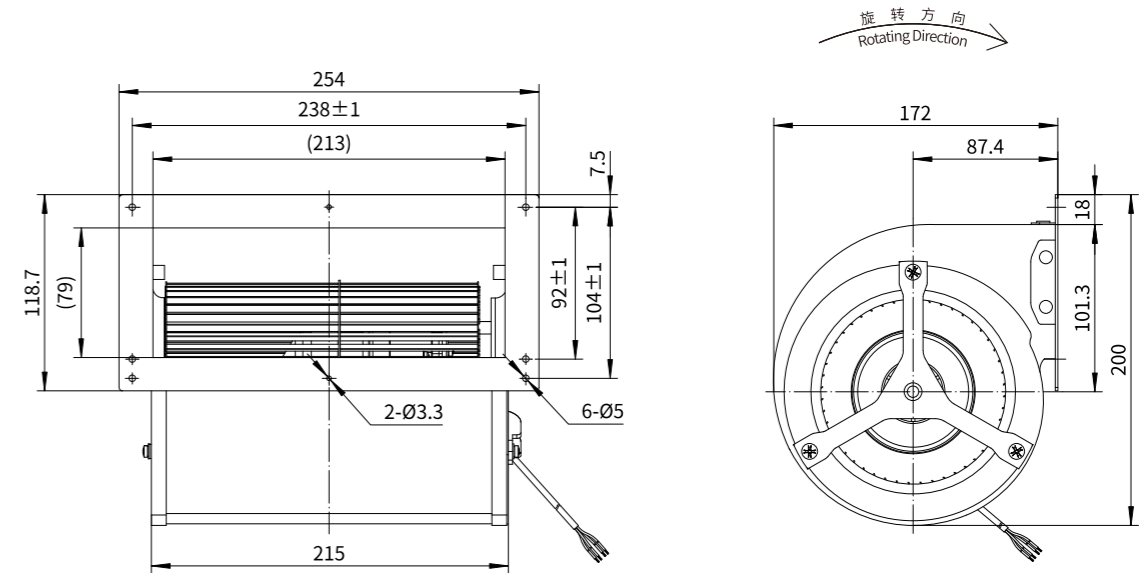
DC 前倾离心及鼓风机  
DC Forward Curved Centrifugal Fan and Blower

鼓风机 Blower

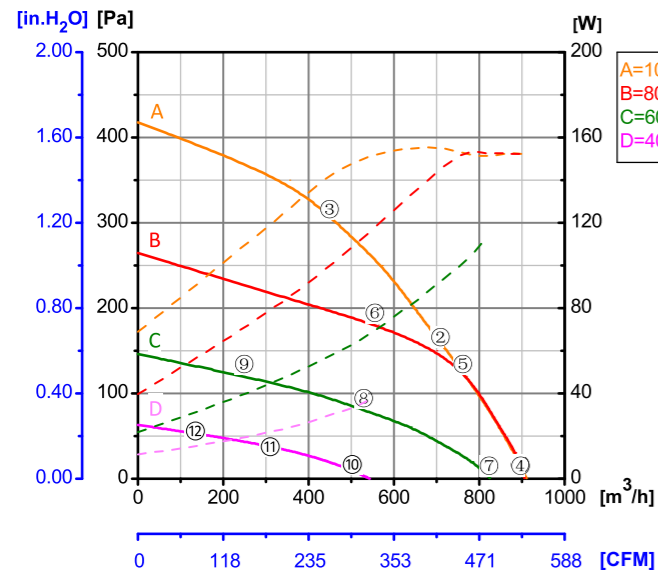


Φ 133

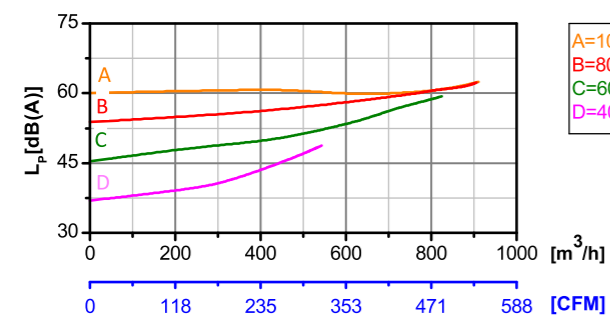
转子材质 Rotor Material: 碳钢 Carbon steel  
 蜗壳材质 Housing Material: 碳钢 Carbon steel  
 叶轮材质 Impeller Material: 镀锌板 Galvanized steel sheet  
 防护等级 Ingress Protection: IP42  
 绝缘等级 Insulation Class: F  
 轴承类型 Bearing Type: 免维护滚珠轴承  
 Maintenance free ball bearing



性能曲线 Performance Curves



测试节点 Test Point	转速 Speed rpm	输入功率 Input Power W
1	1949	152
2	2389	155
3	2851	146
4	1939	152
5	2297	153
6	2364	119
7	1770	115
8	1777	66
9	1780	39
10	1186	37
11	1188	25
12	1188	17



Erp2015 Data:  
 Efficiency  $\eta_{statA} = *%$   
 Efficiency grade  $N_{actual} = *, N_{target} = 44$   
 Test report No. : L-20210302-003-085

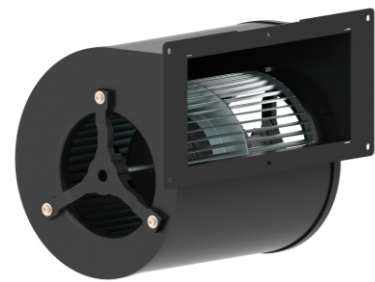
产品型号 Model No.	电压 Voltage	频率 Frequency	转速 Speed	输入功率 Input Power	电流 Current	运行温度 Working Temp.	认证 Approvals
	VDC	Hz	RPM	W	A	Min/Max (°C)	
DC92-F133-C10	48	/	1920	150	3.10	-20/+60	CCC,CE
DC92-F133-D10	310	/	1920	150	0.48	-20/+60	CCC,CE



DC 前倾离心及鼓风机  
DC Forward Curved Centrifugal Fan and Blower

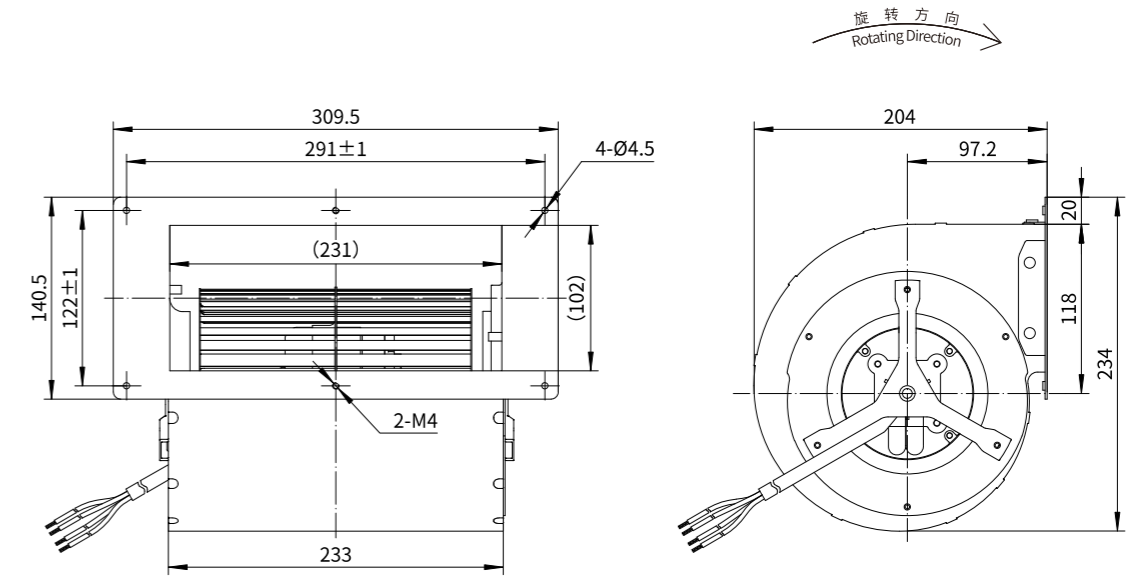
ErP2015  
EXCEEDS THE NORM

鼓风机 Blower

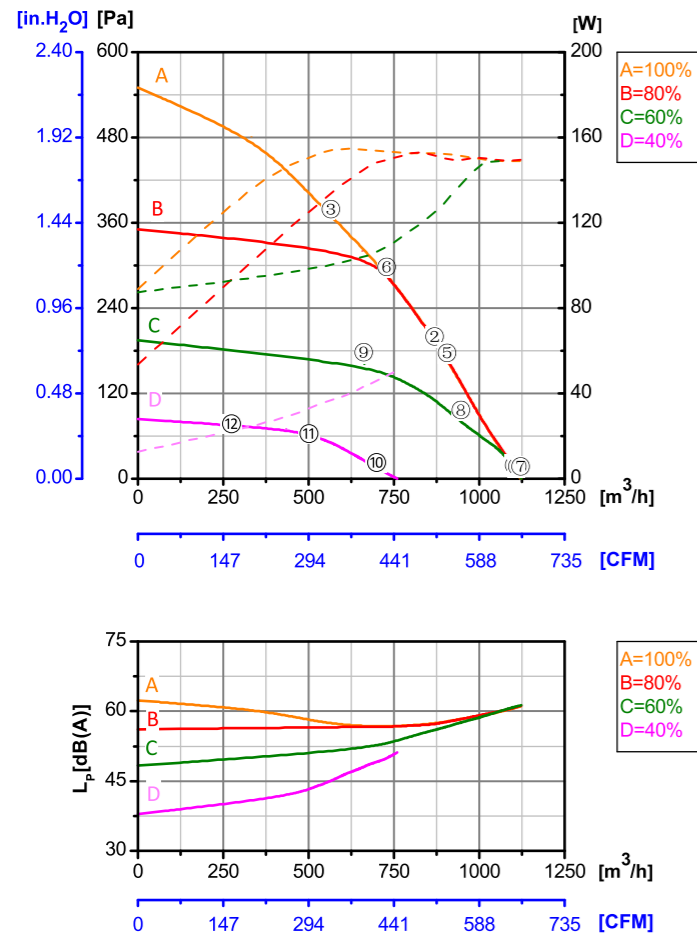


Φ 146

转子材质 Rotor Material: 碳钢 Carbon steel  
 蜗壳材质 Housing Material: 碳钢 Carbon steel  
 叶轮材质 Impeller Material: 镀锌板 Galvanized steel sheet  
 防护等级 Ingress Protection: IP42  
 绝缘等级 Insulation Class: F  
 轴承类型 Bearing Type: 免维护滚珠轴承  
 Maintenance free ball bearing



性能曲线 Performance Curves






测试节点 Test Point	转速 Speed rpm	输入功率 Input Power W
1	1685	149
2	2016	152
3	2492	155
4	1685	149
5	1975	150
6	2255	149
7	1687	148
8	1765	129
9	1772	87
10	1180	51
11	1182	42
12	1185	34

Erp2015 Data:  
 Efficiency  $\eta_{statA}=44\%$   
 Efficiency grade  $N_{actual}=55.5, N_{target}=44$   
 Test report No. : L-20210302-003-086

产品型号 Model No.	电压 Voltage	频率 Frequency	转速 Speed	输入功率 Input Power	电流 Current	运行温度 Working Temp.	认证 Approvals
	VDC	Hz	RPM	W	A	Min/Max (°C)	
DC92-F146-C10	48	/	1700	150	3.10	-20/+60	CCC,CE
DC92-F146-D10	310	/	1700	150	0.48	-20/+60	CCC,CE

# 产品应用知识及案例

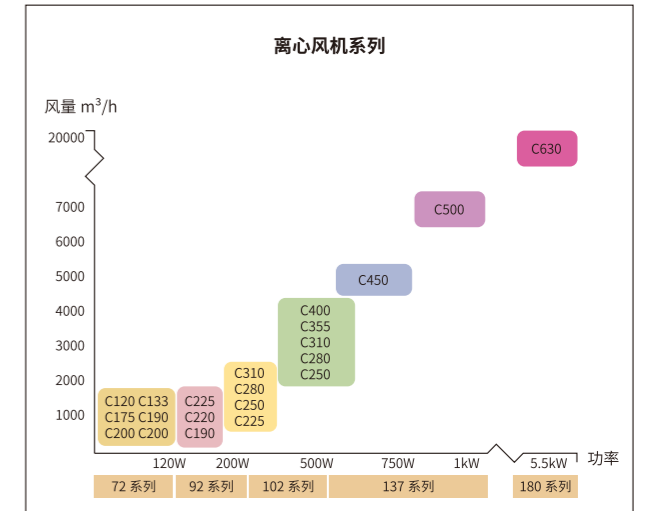
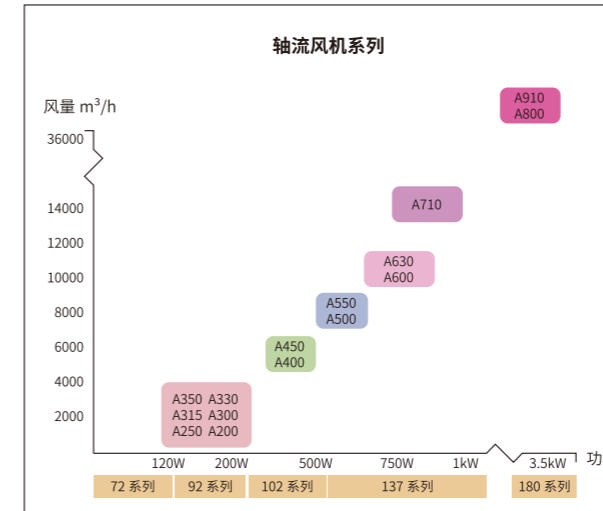
## 1. 风机类型及应用

风机类型	轴流风机	后倾离心风机	前倾离心风机 (鼓风机)
			
特点	适用于大流量, 低静压, 系统阻力较小的场合。	适用于大流量, 高静压, 系统阻力较大, 噪声要求较高的场合。	适用于大流量、高静压、系统阻力、内部空间要求较高的场合。
主要应用	空调终端 冷凝器、蒸发器 冷水机、冷风机组 空调风机 排风换气 冷库冷藏 设备散热 暖通行业 其它相关行业	空气净化 通风单元 空调终端、空调风机 地板通风 热泵、地源热泵、空气能热泵 屋顶风机 净化过滤 设备散热 其它相关行业	盘管机组 空气净化 通风单元 屋顶风机 排风换气 其它相关行业

## 2. 交、直流风机(电机)的特点对比

交流风机	直流风机
1. 电机转速受电源频率影响	1. 转速不受电源频率影响
2. 转速范围小	2. 转速范围大
3. 转速控制困难, 多速风机构造复杂	3. 可无级调速
4. 启动转矩小	4. 启动转矩大
5. 电机最高效率范围段小	5. 电机最高效率范围段大
6. 体积大	6. 体积小
7. 电机效率低40~50%	7. 电机效率高 80%以上
8. 损失大	8. 损失小
9. 电机温升高	9. 电机温升低

## 3. 覆盖范围及主要工作范围

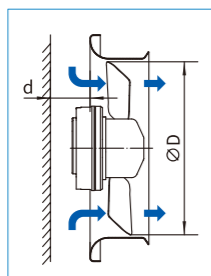


注: A- 轴流风机 C- 离心风机

## 4. 常用基本符号

名称	符号	单位	名称	符号	单位
额定电压	U	V	输入功率	$P_{in}$	W
额定电流	$I_n$	A	输出功率	$P_{out}$	W
转速	n	r/min	电机效率	$\eta_m$	-
供电频率	f	Hz	风机效率	$\eta_f$	-
功率因数	$\cos\phi$	-	额定转矩	$T_N$	N.m
绝缘等级	B/F/H	-	堵转转矩	$T_b$	N.m
防护等级	IP	-	启动转矩	$T_s$	N.m
面积	A	m <sup>2</sup>	速度	V	m/s
体积	V	m <sup>3</sup>	电容	C	μF
质量	m	kg	力	F	N
风量	qv	m <sup>3</sup> /h	风压	p	Pa
	1CFM=1.699 m <sup>3</sup> /h	CFM		1inH <sub>2</sub> O= 249Pa	in.H <sub>2</sub> O
流速	c	m/s	全压	$P_t$	Pa
阻力系数	$\zeta$	-	静压	$P_s$	Pa
叶轮直径	D	m	A 声压级	$L_{pA}$	dB(A)
半径	r	m(mm)	环境声级	$L_eA$	dB(A)
叶轮平衡等级	G	mm/s	空气密度	$\rho$	kg/m <sup>3</sup>
转动惯量	J	kg.m <sup>2</sup>	角速度	$\omega$	rad/s
绝对温度	T	K	重力加速度	g	m/s <sup>2</sup>
摄氏温度	t	°C	叶轮圆周速度	$u_2$	m/s



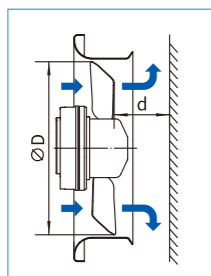


导风圈在使用过程中可以有效提升风机的风量风压以及效率，在实际使用中，风机安装位置不同也会产生不同的效果，具体见下表：

	最大风压	风量 (相同风压)
$d/D = \infty$	100% 基准	100% 基准
$d/D = 40\%$	76%	95%
$d/D = 20\%$	55%	91%
$d/D = 10\%$	32%	65%
$d/D = 5\%$	16%	无效

该种安装方式对风压风量的影响都非常大，特别是风压方面，所以需要尽力避免。以上数据是根据大量的实际测试结果总结得到的，数据供参考，反应使用的趋向性，由于在实际使用过程中设备的类型、构造、环境等各不相同，其影响也会与本数据有若干差距。

### 8.3 轴流风机安装位置的影响-2



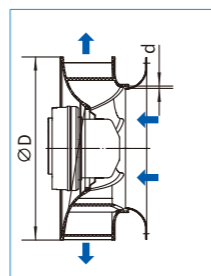
具体见下表：

	最大风压	风量 (相同风压)
$d/D = \infty$	100% 基准	100% 基准
$d/D = 40\%$	100%	97.5%
$d/D = 20\%$	100%	90%
$d/D = 10\%$	100%	70%
$d/D = 5\%$	100%	34%

该种安装方式主要对输出风量产生一定的影响，所以，尽可能保持输出方向的空间距离。以上数据是根据大量的

实际测试结果总结得到的，数据供参考，反应使用的趋向性，由于在实际使用过程中设备的类型、构造、环境等各不相同，其影响也会与本数据有若干差距。

### 8.4 离心风机导风圈间隙的影响-1

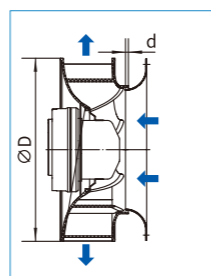


导风圈在使用过程中可以有效提升风机的风量风压以及效率，在实际使用中，间隙大小会产生不同的效果，具体见下表：

	最大风压	风量 (相同风压)
$a/D = 0.5\%$	100% 基准	100% 基准
$a/D = 1.0\%$	100%	97.2%
$a/D = 2.0\%$	100%	94%

导风圈与风轮进口内径理论上间隙越小，风机的风量，效率越高。但是限于零部件精度、安装公差、设备变形等影响，推荐使用顿力标准导风圈或者按照 1% 至 2% 之间设计。以上数据是根据大量的实际测试结果总结得到的，数据供参考，反应使用的趋向性，由于在实际使用过程中设备的类型、构造、环境等各不相同，其影响也会与本数据有若干差距。

### 8.5 离心风机导风圈间隙的影响-2

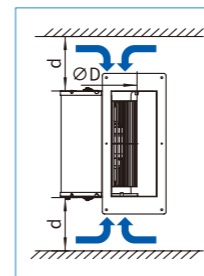


具体见下表：

	最大风压	风量 (相同风压)
$d/D = 1.0\%$	100% 基准	100% 基准
$d/D = 0.0\%$	100%	97%
$d/D = -1.0\%$	95%	90%

导风圈与风轮进口内径的深入尺寸是有一个合理的值，过深可能引起机械干涉，过浅则可能导致风量及效率降低。但是限于零部件精度、安装公差、设备变形等影响，推荐按照 1% 设计。以上数据是根据大量的实际测试结果总结得到的，数据供参考，反应使用的趋向性，由于在实际使用过程中设备的类型、构造、环境等各不相同，其影响也会与本数据有若干差距。

### 8.6 前倾离心风机进风口距离影响






前倾风机的进风口距离侧壁的距离会产生重要的影响。具体见下表：

	最大风压	风量 (相同风压)
$d/D = \infty$	100% 基准	100% 基准
$d/D = 40\%$	98%	95%
$d/D = -20\%$	97%	79%
$d/D = 10\%$	85%	50%
$d/D = 5\%$	70%	20%

理论上该尺寸越大，风机的风量，效率越好，但鉴于设备设计过程中的尺寸限制，尽可能保证该尺寸在 50% 设定比较合理，或者在钣金上直接设置进风口，以提升风机效果。以上数据是根据大量的实际测试结果总结得到的，数据供参考，反应使用的趋向性，由于在实际使用过程中设备的类型、构造、环境等各不相同，其影响也会与本数据有若干差距。

# Product Application Knowledge & Case Analyses

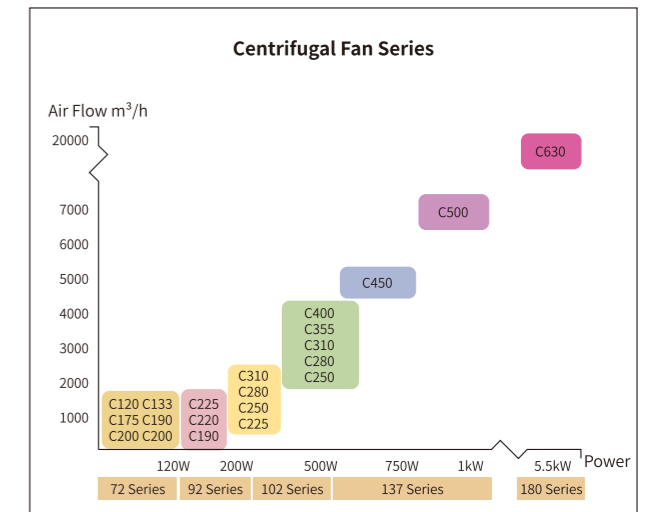
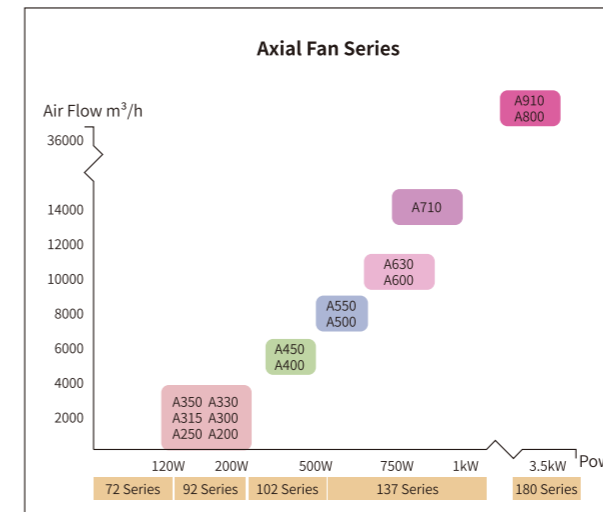
## 1.Types & Applications of Fans

	Axial Fan	Backward Curved Centrifugal Fan	Forward Curved Centrifugal Fan (Blower)
<b>Types of Fan</b>			
<b>Characteristics</b>	Applicable to high airflow, low pressure, and small system resistance occasions.	Applicable to high airflow, high pressure, large system resistance, and high requirement of noise level applications.	Suitable for occasions of high airflow, high pressure, larger system resistance and limited internal space.
<b>Main Application</b>	Air-conditioning Terminals Condensers, Evaporators Water Chillers, Cooling Units Air-conditioning Fans Exhaust Ventilation Cold Storages Equipment Cooling HVAC Industry Other Related Industries	Air Purification Ventilating Units Air-conditioning Terminals, Air-conditioning Fans, Floor Ventilation Heat Pumps, Ground Source Heat Pumps, Air Source Heat Pumps Roof Fans Filtering, FFU Equipment Cooling Other Related Industries	Coil Units Air Purification Ventilating Units Roof Fans Exhaust Ventilation Other Related Industries

## 2.Characteristic Comparison Between AC and EC/DC Motor Fans

AC Motor Fan	EC/DC Motor Fan
<ol style="list-style-type: none"> <li>Motor speed is affected by power frequency.</li> <li>Speed range is small.</li> <li>Speed control is difficult and the structure of multiple-speed motor is complex.</li> <li>Starting torque is small.</li> <li>Motor high efficiency range is small.</li> <li>Motor size is large.</li> <li>Motor efficiency is low (40~50%)</li> <li>Motor efficiency loss is more.</li> <li>Motor temperature rise is high</li> </ol>	<ol style="list-style-type: none"> <li>Motor speed is not affected by power frequency.</li> <li>Speed range is big.</li> <li>The motor is stepless speed.</li> <li>Starting torque is big.</li> <li>Motor high efficiency range is big.</li> <li>Structure is very compact</li> <li>Motor efficiency is high (&gt;80%)</li> <li>Motor efficiency loss is less.</li> <li>Motor temperature rise is low.</li> </ol>

## 3. Coverage and Mainly Working Scope



Notes: A-Axial fan C- Centrifugal fan

## 4. Basic Symbols

Designation	Symbol	SI Unit	Designation	Symbol	SI Unit
Rated voltage	U	V	Rated power in	P <sub>in</sub>	W
Rated current	I <sub>n</sub>	A	Rated power out	P <sub>out</sub>	W
Motor speed/ rpm	n	r/min	Motor efficiency	η <sub>m</sub>	-
Power frequency	f	Hz	Fan efficiency	η <sub>f</sub>	-
Power factor	cosφ	-	Rated torque	T <sub>N</sub>	N.m
Insulation class	B/F/H	-	Locked torque	T <sub>b</sub>	N.m
Protection grade	IP	-	Starting torque	T <sub>S</sub>	N.m
Area	A	m <sup>2</sup>	Speed	V	m/s
Volume	V	m <sup>3</sup>	Capacitor	C	μF
Weight	m	kg	Force	F	N
Air flow	qv	m <sup>3</sup> /h	Air pressure	p	Pa
	1CFM=1.699 m <sup>3</sup> /h	CFM		1inH <sub>2</sub> O= 249Pa	in.H <sub>2</sub> O
Flow speed	c	m/s	Total pressure	P <sub>t</sub>	Pa
Coefficient of resistance	ζ	-	Static pressure	P <sub>s</sub>	Pa
Impeller diameter	D	m	Sound pressure level A	L <sub>PA</sub>	dB(A)
Radius	r	m(mm)	Environmental sound level	L <sub>eA</sub>	dB(A)
Impeller balance grade	G	mm/s	Density of air	ρ	kg/m <sup>3</sup>
Moment of inertia	J	kg.m <sup>2</sup>	Angular velocity	ω	rad/s
Temperature in Kelvin	T	K	Acceleration of gravity	g	m/s <sup>2</sup>
Temp in Celsius	t	°C	Peripheral speed	u <sub>2</sub>	m/s

## 5. Basic Formula & Laws

Formula ①:

$$\frac{qv_2}{qv_1} = \frac{n_2}{n_1} \times \left\{ \frac{D_2}{D_1} \right\}^3$$

Formula ②:

$$\frac{p_2}{p_1} = \left\{ \frac{n_2}{n_1} \right\}^2 \times \left\{ \frac{D_2}{D_1} \right\}^2 \times \left\{ \frac{\rho_2}{\rho_1} \right\}$$

Formula ③:

$$\frac{P_{w2}}{P_{w1}} = \left\{ \frac{n_2}{n_1} \right\}^3 \times \left\{ \frac{D_2}{D_1} \right\}^5 \times \left\{ \frac{\rho_2}{\rho_1} \right\}$$

Formula ④:

$$L_p A_2 - L_p A_1 = 60\text{dB} \times \text{Log} \left\{ \frac{n_2}{n_1} \right\}$$

Formula ⑤:

$$P_{OUT} = T_n \times \omega_n = \frac{\pi}{30} \times T_n \times n$$

Definition:

q <sub>v</sub>	Airflow	m <sup>3</sup> /h	D	Impeller Diameter	mm
P	Pressure	Pa	ρ	Air Density	Kg/m <sup>3</sup>
P <sub>w</sub>	Shaft Power	W	L <sub>p</sub> A	Noise	dB
n	Rotational Speed	rpm			

Conclusion:

- 1.The airflow is in proportion to rotating speed in the case of the propeller, air density and environment are unchanged.
- 2.The pressure is direct proportion with the rotating speed squared; impeller diameter squared and air density.
- 3.The shaft power is proportional to the rotating speed cubed, impeller diameter to the power 5th and air density.
- 4.Output power lies on torque and rotating speed.

## 6. Practical Cases

Case 1:

A certain communication base station which is using a backward curved centrifugal fan on its air-conditioning

equipment, normal operating condition is the airflow 2500m<sup>3</sup>/h@200Pa, shaft power 168W (input power 210W), rotating speed 1660rpm and noise level 60dB.

The customer hopes that the airflow can be improved from 2500m<sup>3</sup>/h@200Pa to 3000m<sup>3</sup>/h@200Pa, in that they have increased the cooling area of the radiator. Can we match their airflow request with the same pressure? The other customer wishes to reduce the rotating speed to 1400rpm. Under the same pressure, what would the airflow, shaft power and noise level be?

Answer 1:

According to formula ①, we can calculate the rotating speed of the fan as below:

$$\frac{qv_2}{qv_1} = \frac{n_2}{n_1} \times \left\{ \frac{D_2}{D_1} \right\}^3 \rightarrow \frac{3000}{2500} = \frac{n_2}{1660}$$

∴ n<sub>2</sub> = 1990rpm

According to formula ③, we can calculate the shaft power of the fan as below:

$$\frac{P_{w2}}{P_{w1}} = \left\{ \frac{n_2}{n_1} \right\}^3 \times \left\{ \frac{D_2}{D_1} \right\}^5 \times \left\{ \frac{\rho_2}{\rho_1} \right\} \rightarrow \frac{P_{w2}}{168} = \left\{ \frac{1990}{1660} \right\}^3$$

∴ P<sub>w2</sub> = 290W the input power at this moment is 360W  
After judgment on temperature rise, strength and life-time, the 102 series motors can be used under the condition of 3000m<sup>3</sup>@200Pa. This is a case of that the motor be used by increasing speed. When the calculating result exceeds the fan's maximum load capacity and motor temperature rise, we have to choose a bigger fan or reduce the rotating speed and the power to ensure the fan running under a safe state.

Similarly to the circumstance of using fan by reducing its speed.

According to formula ①, we can calculate the airflow of the fan as below:

$$\frac{qv_2}{qv_1} = \frac{n_2}{n_1} \times \left\{ \frac{D_2}{D_1} \right\}^3 \rightarrow \frac{qv_2}{2500} = \frac{1400}{1660}$$

∴ qv<sub>2</sub> = 2100 m<sup>3</sup>/h

According to formula ③, we can calculate the shaft power of the fan as below:

$$\frac{P_{w2}}{P_{w1}} = \left\{ \frac{n_2}{n_1} \right\}^3 \times \left\{ \frac{D_2}{D_1} \right\}^5 \times \left\{ \frac{\rho_2}{\rho_1} \right\} \rightarrow \frac{P_{w2}}{168} = \left\{ \frac{1400}{1660} \right\}^3$$

∴ P<sub>w2</sub> = 100W, the input power at this moment is 125W  
According to formula ④, we can calculate the noise level of the fan as below:

$$L_p A_2 - L_p A_1 = 60\text{dB} \times \text{Log} \left\{ \frac{n_2}{n_1} \right\}$$

∴ L<sub>p</sub>A<sub>2</sub> = 55.5dB

Based on above calculations, if noise level meets the requirement, we also need to judge whether the airflow can match the requirement or not.

Case 2:

A certain customer who used an A450 axial fan on their cold storage equipment, the ambient temperature is always under -35 °C. The situation of motor burnt or low running speed happened on the fan when running the equipment, what is (are) the reason(s)? \*Product selection based on normal temperature, operating conditions: rotating speed 1400rpm, airflow 5000m<sup>3</sup>@40Pa and shaft power 290W (input power 360W).

Answer 2:

After consideration, it's caused by the increased duty of the high density of the low ambient temperature. Under the same rotating speed, same sizes of equipment and fan conditions, we can find air densities of different temperatures:

**1.2 Kg/m<sup>3</sup>@-35°C, 0.92Kg/m<sup>3</sup>@25°C,**

According to formula ③, we can calculate the shaft power of the fan as below:

$$\frac{P_{w2}}{P_{w1}} = \left\{ \frac{n_2}{n_1} \right\}^3 \times \left\{ \frac{D_2}{D_1} \right\}^5 \times \left\{ \frac{\rho_2}{\rho_1} \right\} \rightarrow \frac{P_{w2}}{290} = \frac{1.2}{0.92}$$

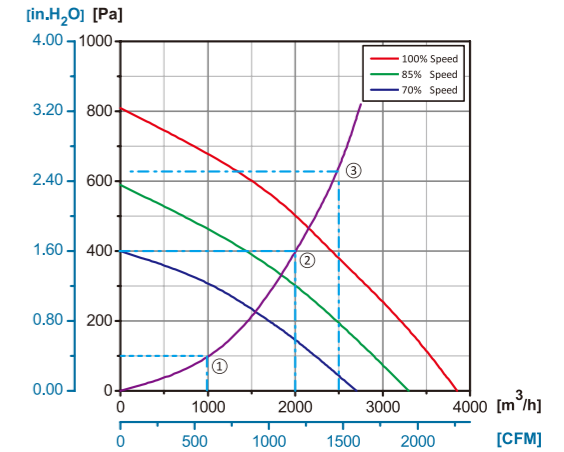
∴ P<sub>w2</sub> = 378W, the input power at this moment is 473W.

Input power has increased about 31%, we have to consider the motor temperature rise, efficiency and mechanical characteristics when the duty is increased.

In terms of the application of low temperature conditions, we suggest our customers to use a bigger fan to perform the higher load.

## 7. Resistance Curves

Resistance is a sum of all pressure losses of filters, pipes (ducts), condenser and mechanical structure. Below figure is resistance curves of a certain equipment.



Below is the system resistance curves relationship:

Formula ⑥:

$$\frac{P_{sf2}}{P_{sf1}} = \left\{ \frac{qv_2}{qv_1} \right\}^2$$

From above figure,

Point 1: 1000 m<sup>3</sup>@100Pa

Point 2: 2000 m<sup>3</sup>@400Pa

Point 3: 2500 m<sup>3</sup>@625Pa

That is, if the composition of the equipment is not changed, and the airflow needs to be increased twice, then we have to increase pressure up to 4 times to ensure the equipment operating normally.

**We can work out the power needed to overcome the resistance of the equipment from below formula:**

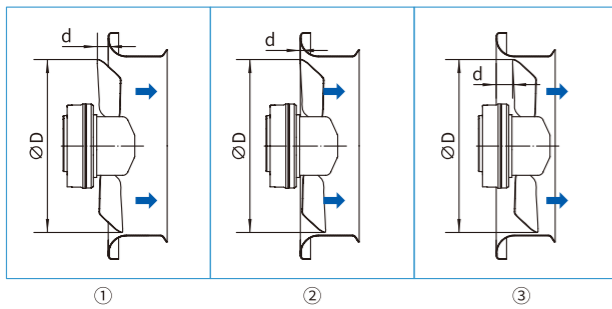
Formula ⑦:

$$P = \frac{qv \times p}{3600 \times 1000}$$

Please keep a margin when selecting fans since there are some different test conditions between development and application.

From above Figure, if we choose point 1 and point 2 as working points, the fan can pass the test and meet the requirement. But point 3 is out of the usable range, so we have to choose a suitable fan for this working point. Normally, the fan features and engineering capabilities are relatively stable, if there's a deviation between design and practical application, which is substantially caused by the changes of equipment or environment.

## 8. Matters Needing Attention For Applying the Fan 8.1 Impact of Axial Fan Inlet Ring Position

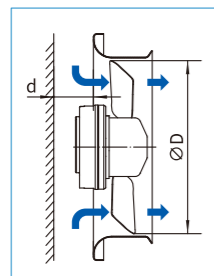


It may efficiently improve the airflow, pressure and efficiency of the fan during using the inlet ring. The different positions will bring different results. See details below:

	Pressure (Max.)	Airflow (the same pressure)
$d/D=10\%$ ①	96%	96%
$d/D=5\%$	97.8%	97.8%
$d/D=0\%$ ②	<b>100% Benchmark</b>	<b>100% Benchmark</b>
$d/D=-5\%$	100%	96.2%
$d/D=-10\%$ ③	100%	92%

The data above were worked out from plenty of practical tests just for references. Because of the differences of equipment types, structures, environments and so on during in real application, the impacts maybe also different from the data above.

### 8.2 Impact of Mounting Position of Axial Fan-1

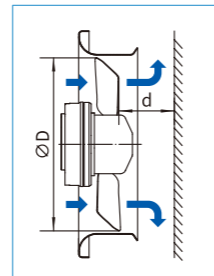


It may efficiently improve the airflow, pressure and efficiency of the fan during using the inlet ring. The different positions will bring different results. Details are as follows:

	Pressure (Max.)	Airflow (the same pressure)
$d/D=\infty$	<b>100% Benchmark</b>	<b>100% Benchmark</b>
$d/D=40\%$	76%	95%
$d/D=20\%$	55%	91%
$d/D=10\%$	32%	65%
$d/D=5\%$	16%	N/A

The impact of this installation of fan is very huge for pressure and airflow, especially for the pressure, so please avoid installing fan by this way. The data above were worked out from plenty of practical tests just for references. Because of the differences of equipment types, structures, environments and so on during in real application, the impacts maybe also different from the data above.

### 8.3 Impact of Mounting Position of Axial Fan-2

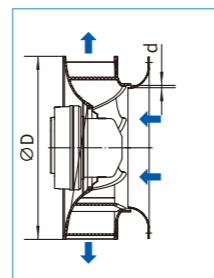


Details are as follows:

	Pressure (Max.)	Airflow (the same pressure)
$d/D=\infty$	<b>100% Benchmark</b>	<b>100% Benchmark</b>
$d/D=40\%$	100%	97.5%
$d/D=20\%$	100%	90%
$d/D=10\%$	100%	70%
$d/D=5\%$	100%	34%

This installation has a certain effect on output airflow, so please keep a space in output direction as much as possible. The data above were worked out from plenty of practical tests just for references. Because of the differences of equipment types, structures, environments and so on during in real application, the impacts maybe also different from the data above.

### 8.4 Impact of Gap of Centrifugal Fan Inlet Ring-1

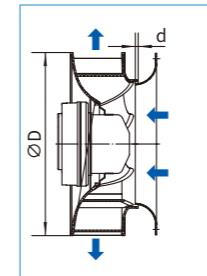


It may efficiently improve the airflow, pressure and efficiency of the fan during using the inlet ring. The different gaps will bring different results in real application. Details are as follows:

	Pressure (Max.)	Airflow (the same pressure)
$a/D=0.5\%$	<b>100% Benchmark</b>	<b>100% Benchmark</b>
$a/D=1.0\%$	100%	97.2%
$a/D=2.0\%$	100%	94%

Theoretically, the smaller of the gap between the inlet ring and the inlet of impeller is the better airflow and efficiency. But limited by the precision of parts, assembling tolerances and the deformation of equipment, we recommend our customers to use Dunli standard inlet rings or take the  $a/D$  range from 1.0% to 2.0%. The data above were worked out from plenty of practical tests just for references. Because of the differences of equipment types, structures, environments and so on during in real application, the impacts maybe also different from the data above.

### 8.5 Impact of Gap of Centrifugal Fan Inlet Ring-2



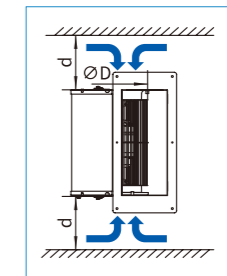
Details are as follows:

	Pressure (Max.)	Airflow (the same pressure)
$d/D=1.0\%$	<b>100% Benchmark</b>	<b>100% Benchmark</b>
$d/D=0.0\%$	100%	97%
$d/D=-1.0\%$	95%	90%

There' s a reasonable value of inlet ring insert dimension, too much would be a mechanical interference, too less may cause airflow loss and low efficiency of the fan. But limited by the precision of parts, assembling tolerances and the deformation of equipment, we recommend our customers to take the  $d/D$  with 1% for application. The data above were worked out from plenty of practical tests just for references. Because of

the differences of equipment types, structures, environments and so on during in real application, the impacts maybe also different from the data above.

### 8.6 Impact of Inlet Distance of Centrifugal Fan Inlet Ring



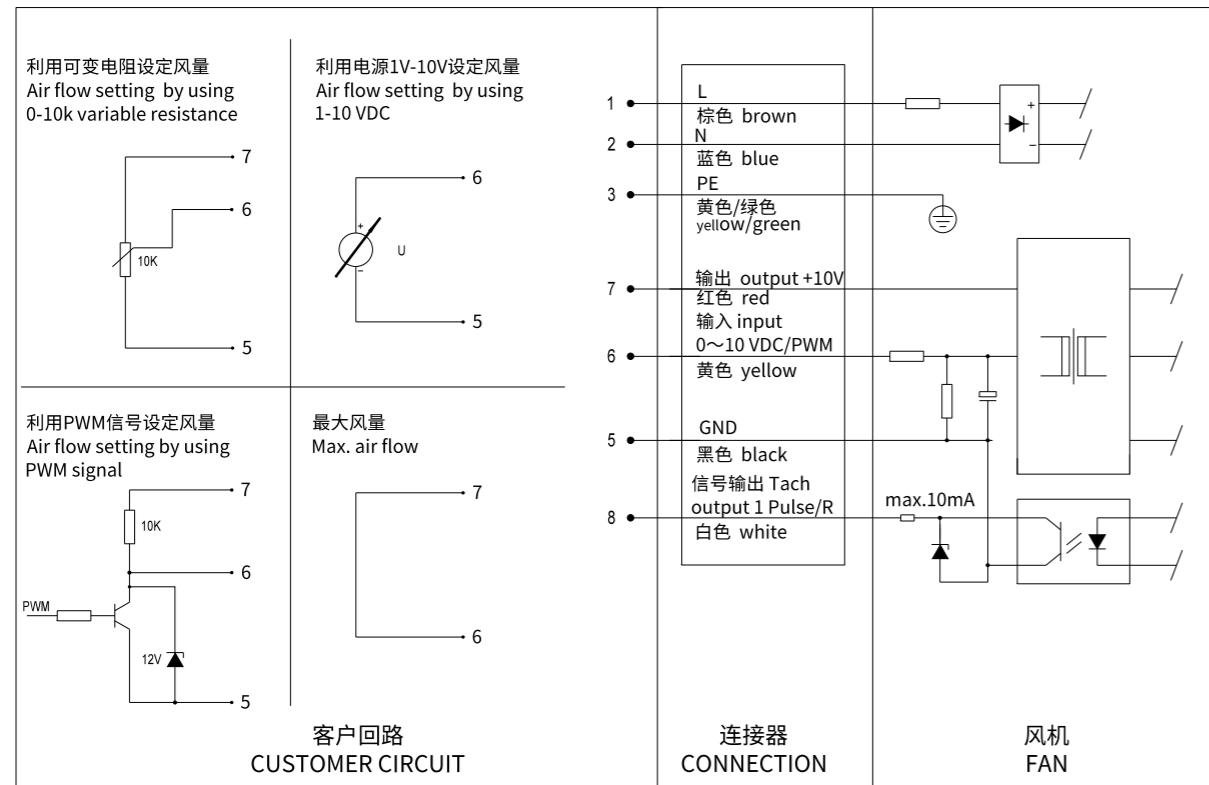
Details are as follows:

	Pressure (Max.)	Airflow (the same pressure)
$d/D=1.0\%$	<b>100% Benchmark</b>	<b>100% Benchmark</b>
$d/D=0.0\%$	100%	97%
$d/D=-1.0\%$	95%	90%

Theoretically, the bigger of the distance is the better airflow and efficiency. But with the limitation of equipment dimensions during design, we recommend our customers to ensure the  $d/D$  within 50% as much as possible, or to drill inlets on the sheet metal of the cabinet that is helpful for fan efficiency. The data above were worked out from plenty of practical tests just for references. Because of the differences of equipment types, structures, environments and so on during in real application, the impacts maybe also different from the data above.

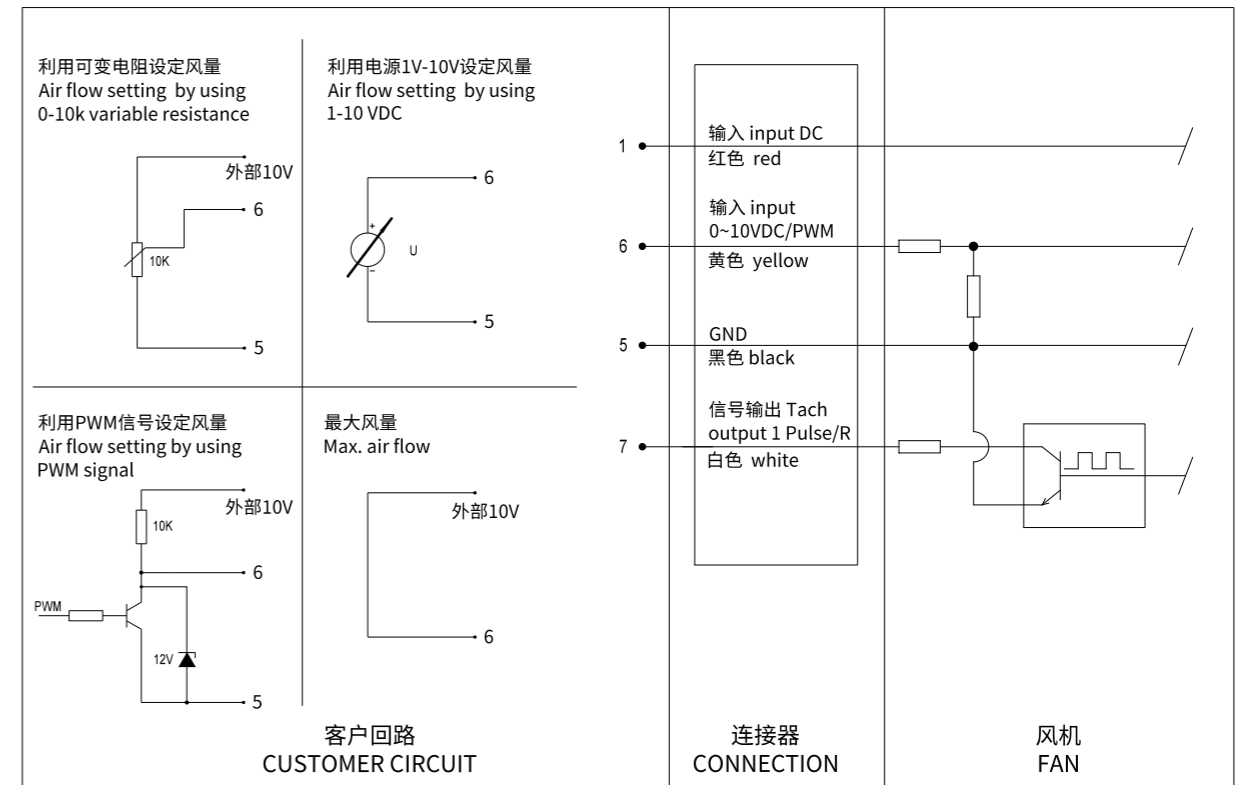
### EC电机接线图 EC MOTOR WIRING DIAGRAMS

#### 单相 Single-phase

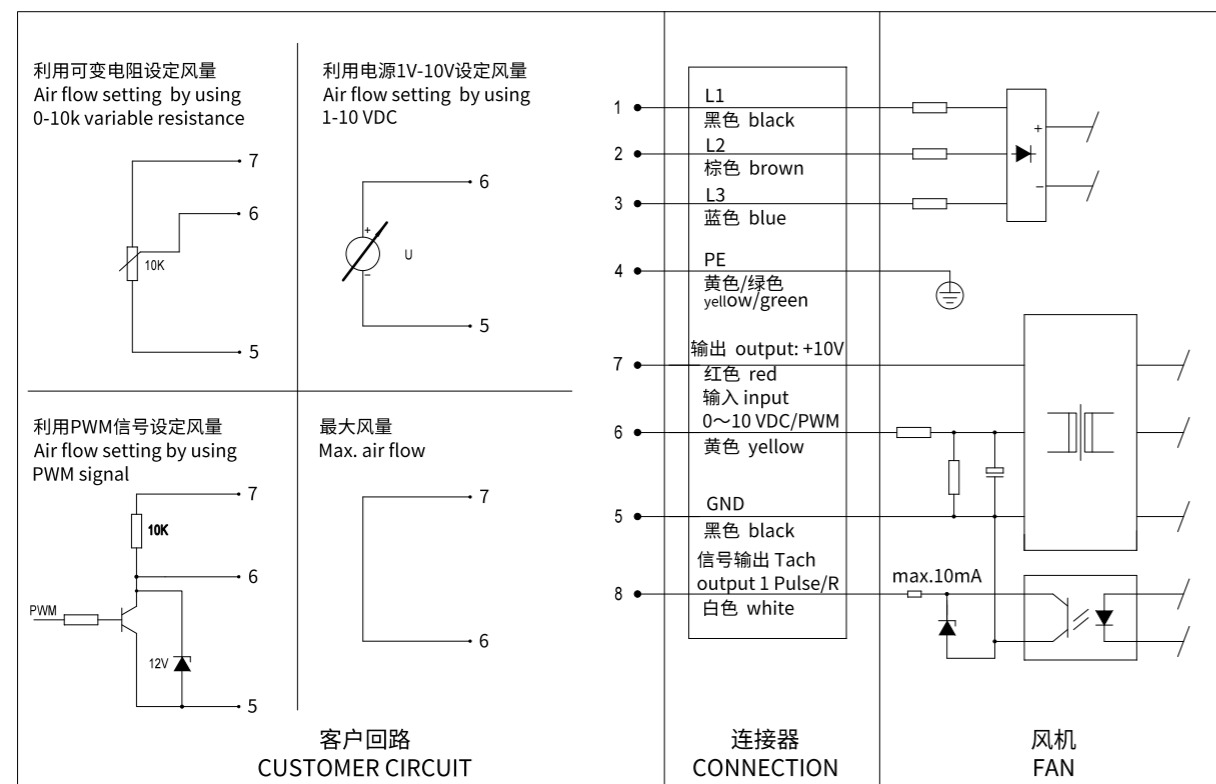


### DC电机接线图 DC MOTOR WIRING DIAGRAMS

#### 直流 DC 24/48V



#### 三相 Three-phase



#### 直流 DC 310V

