



## 公司简介

顿力集团创建于 1996 年，是国家机电产品出口基地，拥有自营进出口权，连年被省金融机构评为信用 AAA 级企业。公司占地面积 30 多万平方米，拥有员工 2000 多人，主要生产外转子风机、商场道具、家居用品、医疗器械等产品，是集产品研发、生产和销售为一体的国内外知名企业。

杭州顿力电器有限公司成立于 2007 年，隶属于顿力集团有限公司，是一家专业研发、生产及销售各类型外转子风机的厂家。产品广泛应用于制冷、暖通、新风净化、空调、电力电子及电信 IT 等行业。

公司凭借雄厚的技术力量，专业的研发团队、完善的检测设备、先进的生产流水线和科学的生产管理，开发出了各类型低噪音、高风量、高效率、长寿命的产品，并在风机结构、流体、电机、控制电路等方面取得多项专利。

公司非常重视产学研合作，与国内多家知名科研院校建有长期合作关系，在风机核心领域有着深入研发，以保证产品的技术领先性。

公司高度重视质量管理和环境保护管理，先后通过 ISO9001 和 ISO14001 等管理体系认证。公司产品通过 CCC 认证、CE 认证，取得 UL 和 ETL 认证，满足 RoHS、REACH 环保指令要求，并远销欧美、中东、俄罗斯、南美、非洲及东南亚等世界各地。

## Company Profile

Hangzhou Dunli Electric Appliance Co., Ltd., founded in 2007, is one of the subsidiaries of Dunli Group Co., Ltd. The Group company currently has more than 2,000 employees and with an area of land 360,000 m<sup>2</sup>. As the largest subsidiary of the Group Company, Dunli Electric is specialized in developing and manufacturing external rotor motor powered axial fans, backward curved centrifugal fans, forward curved centrifugal fans, duct fans and blowers. Its products are widely used in the refrigeration, HVAC, fresh air, purification, air conditioning, power electronics and IT industries.

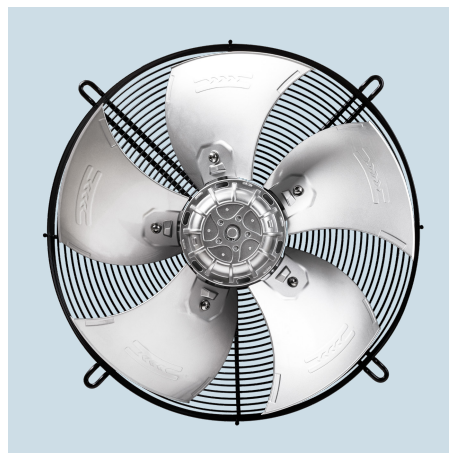
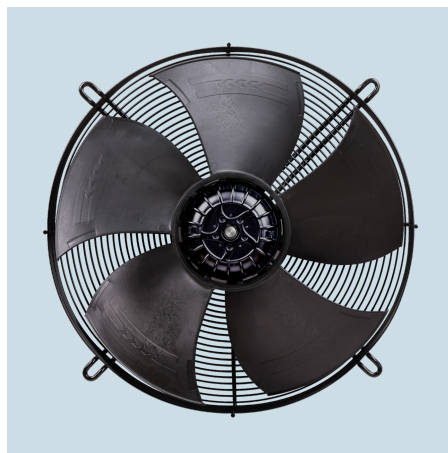
Through its strong technical expertise, professional R&D team, precise testing equipment, advanced production lines and scientific production management, Dunli Electric has developed varied ranges of low noise, high air flow, high efficiency and long service life fan products, and obtained numerous patents in structure, fluid, motor and control circuit amongst others.

Owing to attaching great importance to industry-university-research cooperation, Dunli has established long-term cooperative relationships with many well-known domestic research institutes, in-depth R&D work in the core technology of motor fans are exciting to ensure technical leading products in the industry.

Dunli Electric is ISO9001 Quality Management System and ISO14001 Environmental Management System certified, products are CCC, CE approved and most of them are UL, ETL approved, as well as RoHS, REACH standards complaint. The company exports to all over the world, including European Union, North America, Middle East, Russia, South America, Africa and South East Asia.

# A 交流风机系列

C Fan Series



# C 目录

## Contents

<b>轴流风机系列</b>	
<b>Axial Fan Series .....</b>	<b>1</b>
轴流风机产品介绍	
Axial Fan Product Introduction .....	2
机翼形塑料叶片轴流风机	
Plastic Airfoil Blade Axial Fan .....	5
Φ250.....	6
Φ300.....	10
Φ350.....	14
Φ400.....	18
Φ450.....	22
Φ500.....	26
Φ560.....	30
Φ630.....	32
Φ710.....	34
Φ800.....	36
机翼形铸铝叶片轴流风机	
Aluminum Die-casting Airfoil Blade Axial Fan.....	39
Φ500.....	40
Φ630.....	42
Φ710.....	44
Φ800.....	46
常规金属叶片轴流风机	
Conventional Carbon Steel Blade Axial Fan.....	49
Φ200.....	50
Φ250.....	54
Φ300.....	58
Φ350.....	62
Φ400.....	66
Φ450.....	70
Φ500.....	74
Φ550.....	80
Φ600.....	84
Φ630.....	86
Φ710.....	92
Φ800.....	94
Φ900.....	96

## 离心风机系列 Centrifugal Fan Series ..... 99

### 离心风机产品介绍

Centrifugal Fan Product Introduction.....100

### 复翼塑料叶轮后倾离心风机

Backward Curved Centrifugal Fan with Aileron Impeller .....103

Φ190.....104

Φ220.....105

Φ225.....106

Φ250.....107

### 常规塑料叶轮后倾离心风机

Backward Curved Centrifugal Fan with Conventional Plastic Impeller .....109

Φ133.....110

Φ175.....111

Φ180.....112

Φ190.....113

Φ220.....114

Φ225.....115

Φ250.....116

### 常规金属叶轮后倾离心风机

Backward Curved Centrifugal Fan with Conventional Metal Impeller .....119

Φ225.....120

Φ250.....121

Φ280.....122

Φ315.....124

Φ355.....126

Φ400.....128

Φ450.....131

Φ500.....132

Φ560.....133

### 管道风机

In-line Duct Fan .....135

Φ100.....136

Φ125.....137

Φ150.....138

Φ160.....139

Φ200.....140

Φ250.....141

Φ300.....142

Φ315.....143

<b>前倾离心风机</b>	
<b>Forward Curved Centrifugal Fan .....</b>	<b>145</b>
Φ120.....	146
Φ133.....	147
Φ140.....	148
Φ150.....	149
Φ160.....	150
Φ180.....	151
Φ200.....	152
<b>前倾鼓风机</b>	
<b>Forward Curved Blower .....</b>	<b>155</b>
Φ120.....	156
Φ133.....	157
Φ140.....	158
Φ150.....	159
Φ160.....	160
Φ180.....	161
Φ200.....	162
Φ120 Dual-inlet .....	163
Φ133 Dual-inlet .....	164
Φ146 Dual-inlet .....	165
<b>产品应用知识及案例</b>	
<b>Product Application Knowledge &amp; Case Analyses .....</b>	<b>167</b>
<b>交流风机接线图</b>	
<b>AC Motor Fan Wiring Diagrams .....</b>	<b>179</b>



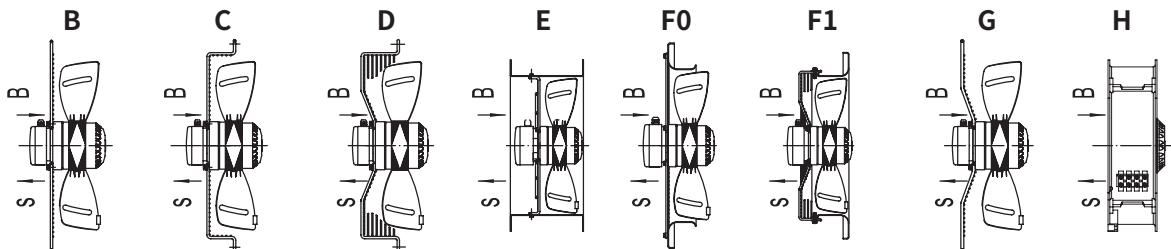
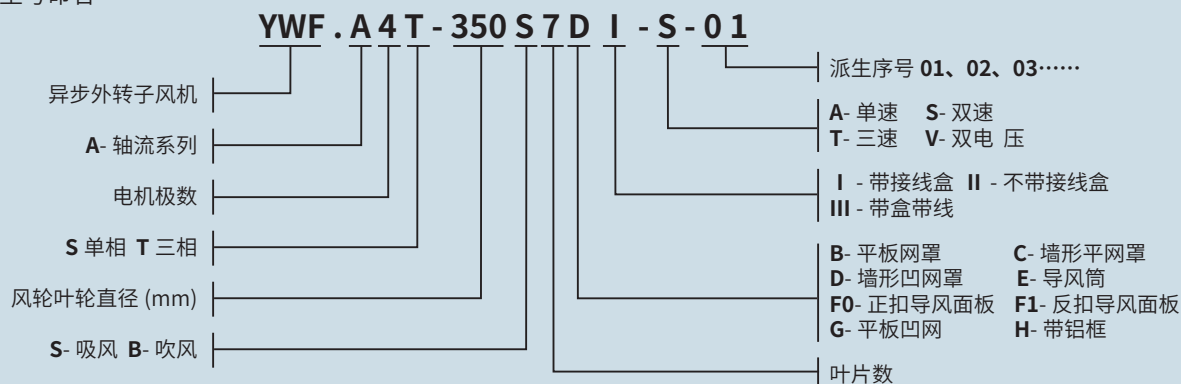
轴流风机系列  
Axial Fan Series








## 轴流风机产品介绍

### 1. 型号命名

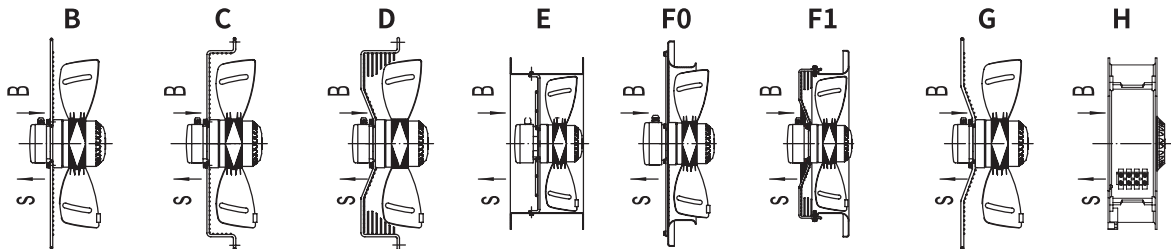
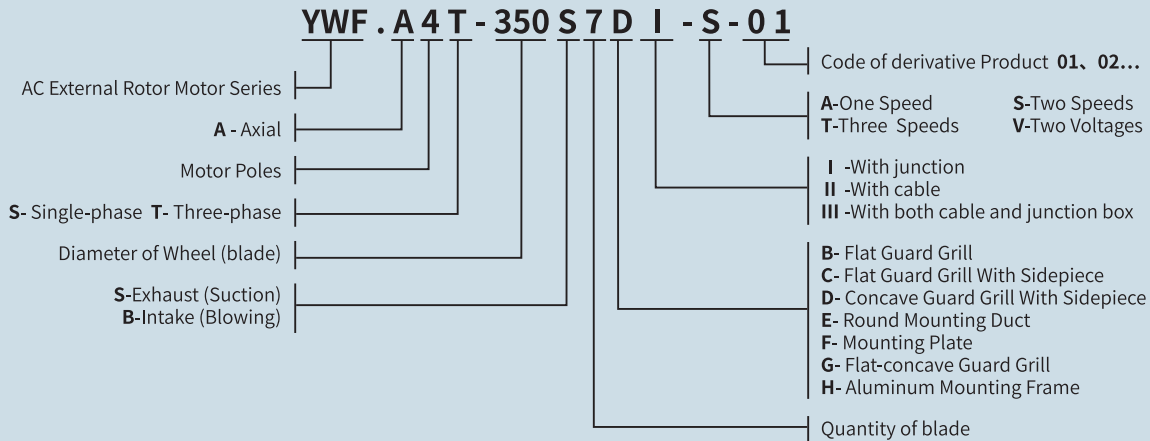



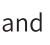

- 外转子轴流风机系列产品具有结构紧凑、运行可靠、噪声低、安装方便、节能高效等特点。
- 外转子轴流风机分为单相异步电容运转和三相异步运转两种。广泛应用于冷凝器、蒸发器、冷水机，热泵、制冷及暖通空调、冷冻冷藏、建筑通风等领域。
- 外转子电机启动电流小，电机防护等级可达 IP54，绝缘等级为 F 级。
- 电机内部设有热保护器，使用环境为 -30℃ ~60℃。
- 单相电容运转电机的电源有 230V 50Hz/60Hz 和 115V 60Hz，三相电机的电源有 400V 50Hz/60Hz，460V 60Hz。我们可根据客户要求定制生产不同电压、频率的电机。
- 外转子风机可以通过变压和变频实现无级变速；三相电机可以通过转换 Y/△接线方式实现两种不同转速，单相电机可采用抽头调速可以实现多种转速；可控硅调速可以手动调节，通过改变电压实现无级调速。
- 风量曲线测试是在空气密度为 1.2kg/m<sup>3</sup>、温度为 20℃的条件下进行的，符合国家的标准测试要求。
- 风机的噪音测试数据为声压级，根据国标要求，在进风口一米处测得。
- 顿力外转子风机使用深沟滚珠球轴承。根据应用场合和周围环境的不同，平均寿命按 L10 标准在 30000 与 50000 小时之间。
- 电机可以直接引出电源线或在电机端盖上安装 IP54 接线盒，配特殊电源线长度及接线盒需另外说明。
- 我司所生产的电机风机产品均通过  和  认证，绝大部分通过了  认证。
- 此样本册中所标示的产品信息可能会有变更，仅供产品初步选型使用，具体以业务代表所提供的《产品规格书》为准。



# Axial Fan Product Introduction

## 1. Nomenclature



- The YWF series of external rotor motor powered axial fans have the characteristics of compact structure, reliable operation, low noise, easy installation and high efficiency, etc.
- There are single-phase and three-phase power supplies available for the external rotor motor powered axial fans. And the axial fans are widely used in the industries of air conditioning, cooling, refrigeration, ventilation, etc.
- The YWF series of external rotor motors have low start current, and are IP44/IP54 and class F evaluated.
- There's a built-in thermal protector for single-phase motor, and the motor can be operated in the temperature range from -30 to 60 degrees Celsius. If the customer needs built-in thermal protector for three-phase motor, please specify while placing the order.
- The nominal inputs for single-phase motors are 115V/60Hz and 230V, 50/60Hz, and for three-phase motor are 400V, 50/60Hz and 460V/60Hz. voltage and frequency can be accommodated based on customer's requirements.
- The speed of YWF series of motors can be controlled by a transformer or VFD. The speed can be changed by changing motor's Delta wiring and Star wiring for three-phase motors, and by using winding tap speed regulation for single-phase motors.
- The aerodynamic tests of Dunli fans are under the condition of 1.2kg/m<sup>3</sup> air density and 20 degrees Celsius ambient temperature as per the requirements of National Testing Standards.
- The noise defined for Dunli motor fans is referring to sound pressure level. The distance of sensor is 1m away from the inlet hose according to the Requirements of National Testing Standards.
- The type of bearing used on the motors is Maintenance Free Ball Bearing, and the average life rating is L10 which is between 30,000 to 50,000 hours based on different operating conditions.
- The motor can come with power cord only, IP54 rated junction box only, or both junction box and power cord combined. The length of power cord needs to be specified while ordering the power cord type axial fan.
- Dunli external rotor motor powered fans are  and  approved, and most of them are  registered.
- All data shown on this catalogue subject to change and are for the purpose of product preliminary selection, please check with your Sales Rep and refer to Product Specification provided.





# 机翼形塑料叶片轴流风机 Plastic Airfoil Blade Axial Fan





 机翼形塑料叶片轴流风机  
Plastic Airfoil Blade Axial Fan

**ErP2015**  
EXCEEDS THE NORM



Φ 250

转子材质 Rotor Material: 铸铝 Aluminum Die-casting

叶轮材质 Impeller Material: 塑料 Plastic

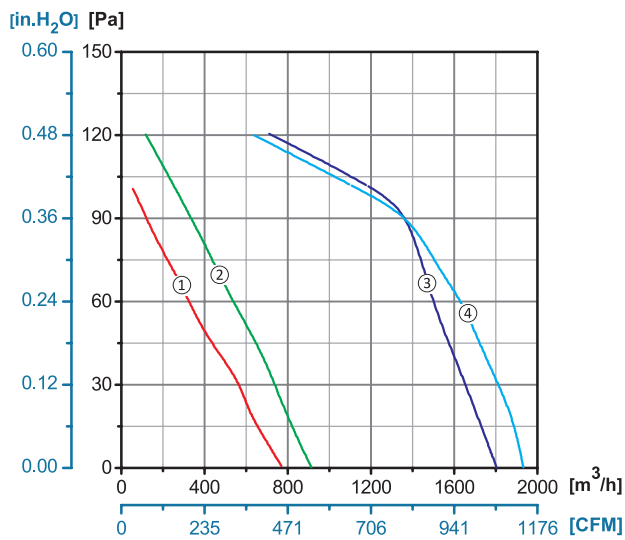
防护等级 Ingress Protection: IP44






绝缘等级 Insulation Class: F

轴承类型 Bearing Type: 免维护滚珠球轴承

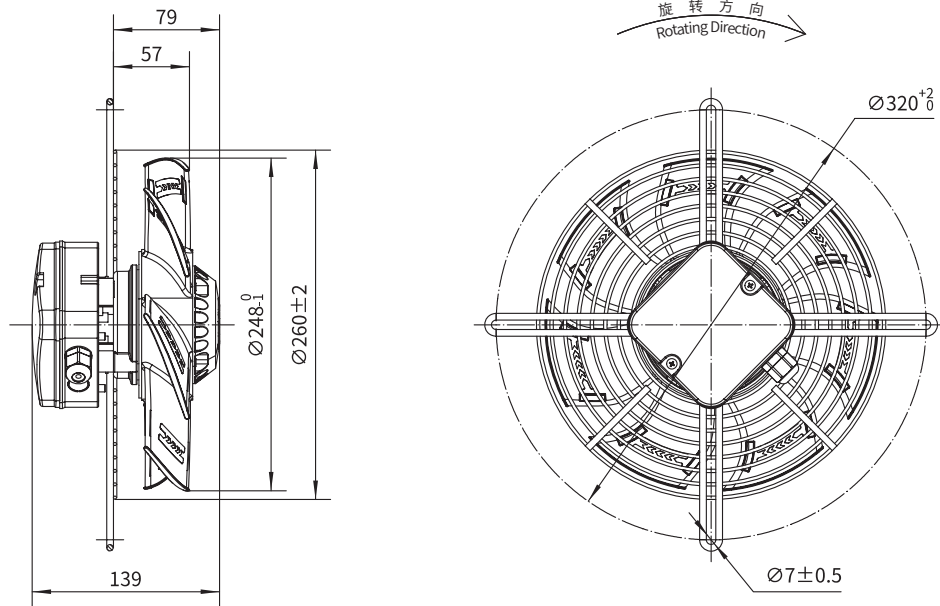
Maintenance Free Ball Bearing

性能曲线 Performance Curves

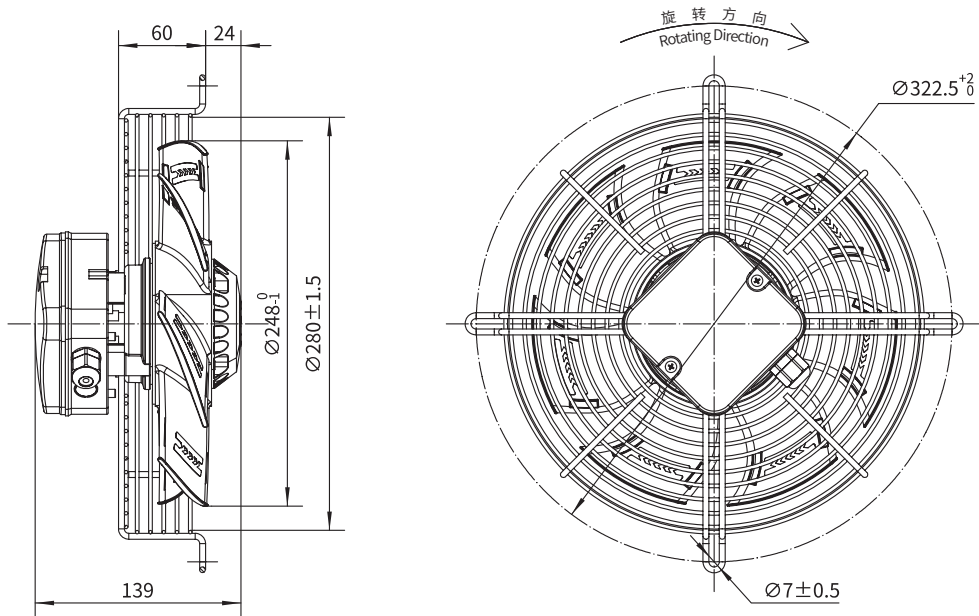


				
Type B	Type C	Type D	Type E	Type F0
YWF.A2S-250S-7B   AP0	YWF.A2S-250S-7C   AP0	YWF.A2S-250S-7D   AP0	YWF.A2S-250S-7E   AP0	YWF.A2S-250S-7F   AP0
YWF.A4S-250S-7B   AP0	YWF.A4S-250S-7C   AP0	YWF.A4S-250S-7D   AP0	YWF.A4S-250S-7E   AP0	YWF.A4S-250S-7F   AP0

**B 型网罩 Type B**



**C 型网罩 Type C**



Type F1

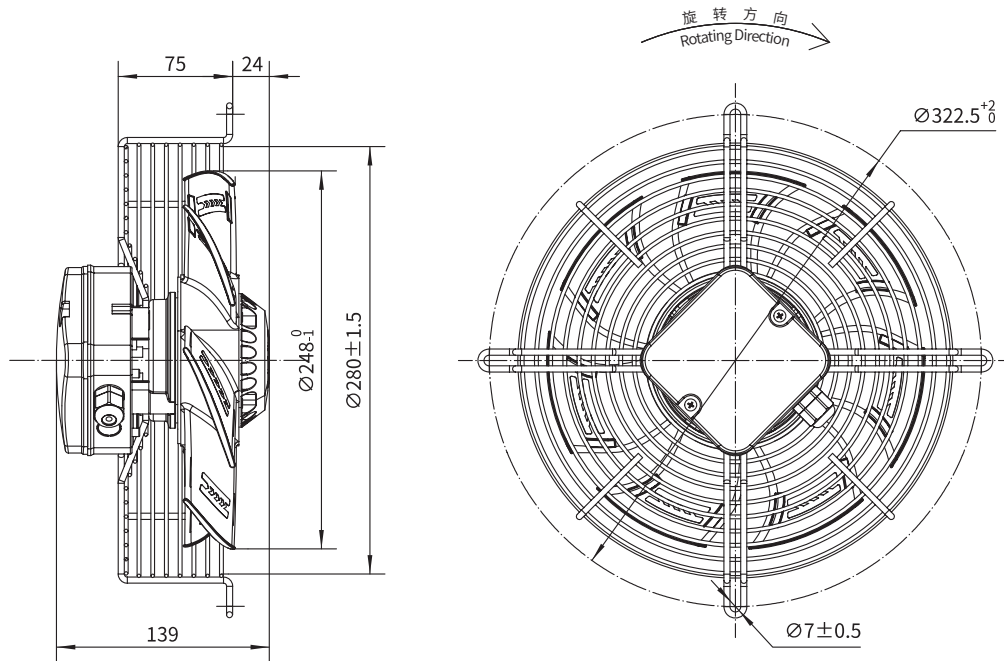
电压 Voltage	频率 Frequency	电流 Current	功率 Power	转速 Speed	电容 Capacitor	风量 Air Flow (0 Pa)	噪音 Noise	曲线 Curve	运行温度 Working Temp.	认证 Approvals	
V	Hz	A	W	RPM	μF	[m <sup>3</sup> /h]/[CFM]	dB(A)	No.	Min/Max(°C)		
/	220/230	50	0.55	125	2590	4	1800/1060	76	③	-30/+60	CCC, CE
	220/230	60	0.70	160	2850	4	1930/1135	79	④	-30/+60	CCC, CE
/	220/230	50	0.28	55	1420	2	770/455	49	①	-30/+60	CCC, CE
	220/230	60	0.25	57	1680	2	910/535	55	②	-30/+60	CCC, CE



机翼形塑料叶片轴流风机  
Plastic Airfoil Blade Axial Fan

Φ 250

D 型网罩 Type D

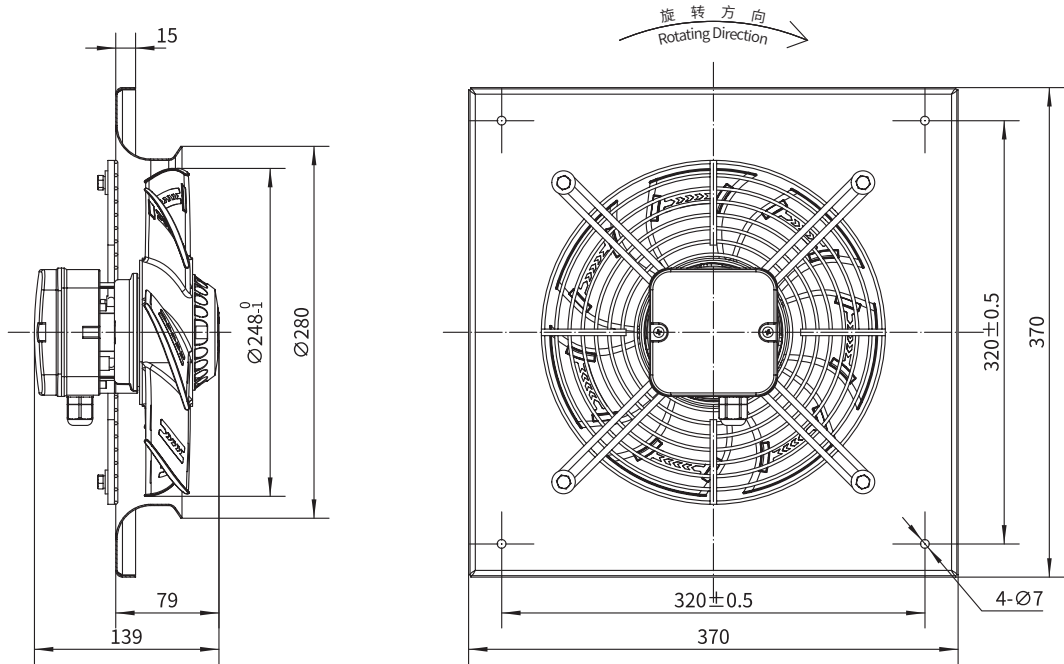




机翼形塑料叶片轴流风机  
Plastic Airfoil Blade Axial Fan

Φ 250

F0 型面板 Type F0



 机翼形塑料叶片轴流风机  
Plastic Airfoil Blade Axial Fan

**ErP2015**  
EXCEEDS THE NORM



Φ 300

转子材质 Rotor Material: 铸铝 Aluminum Die-casting

叶轮材质 Impeller Material: 塑料 Plastic

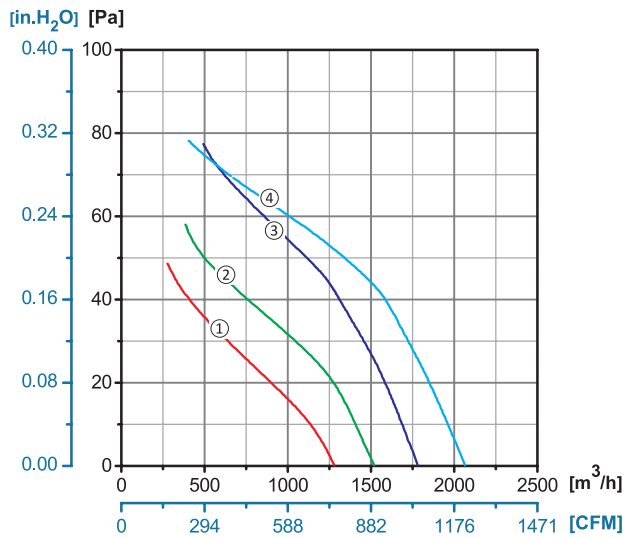
防护等级 Ingress Protection: IP44






绝缘等级 Insulation Class: F

轴承类型 Bearing Type: 免维护滚珠球轴承

Maintenance Free Ball Bearing

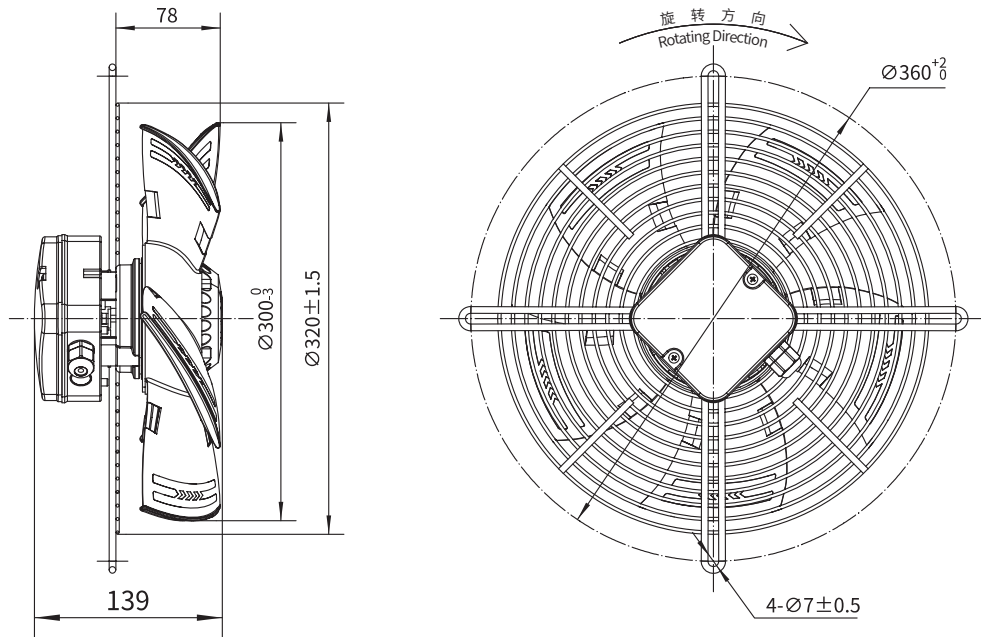
性能曲线 Performance Curves



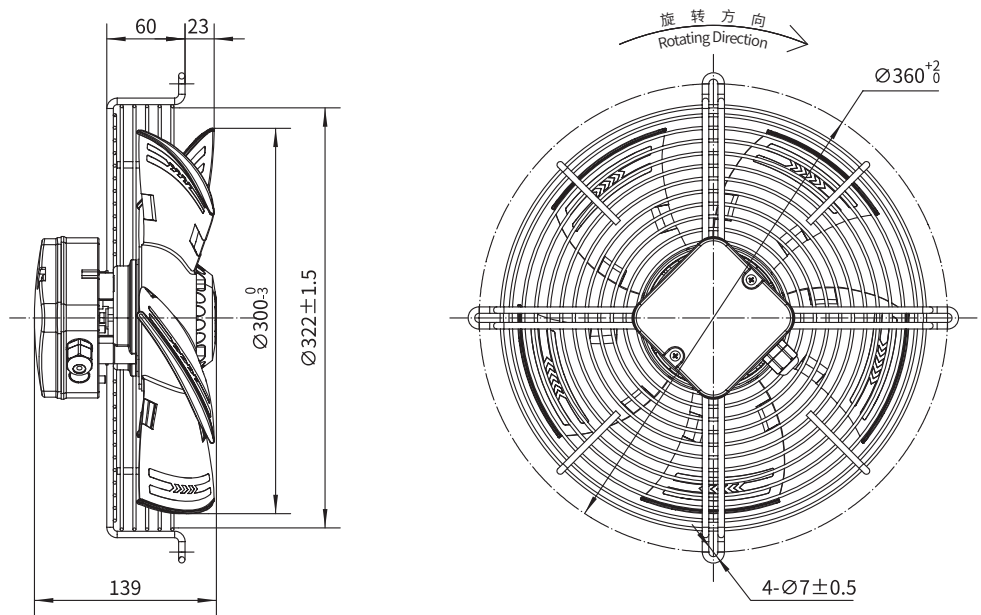
				
Type B	Type C	Type D	Type E	Type F0
YWF.A4S-300S-5B   AP0	YWF.A4S-300S-5C   AP0	YWF.A4S-300S-5D   AP0	YWF.A4S-300S-5E   AP0	YWF.A4S-300S-5F   AP0
YWF.A4T-300S-5B   AP0	YWF.A4T-300S-5C   AP0	YWF.A4T-300S-5D   AP0	YWF.A4T-300S-5E   AP0	YWF.A4T-300S-5F   AP0
YWF.A6S-300S-5B   AP0	YWF.A6S-300S-5C   AP0	YWF.A6S-300S-5D   AP0	YWF.A6S-300S-5E   AP0	YWF.A6S-300S-5F   AP0




**B 型网罩 Type B**



**C 型网罩 Type C**



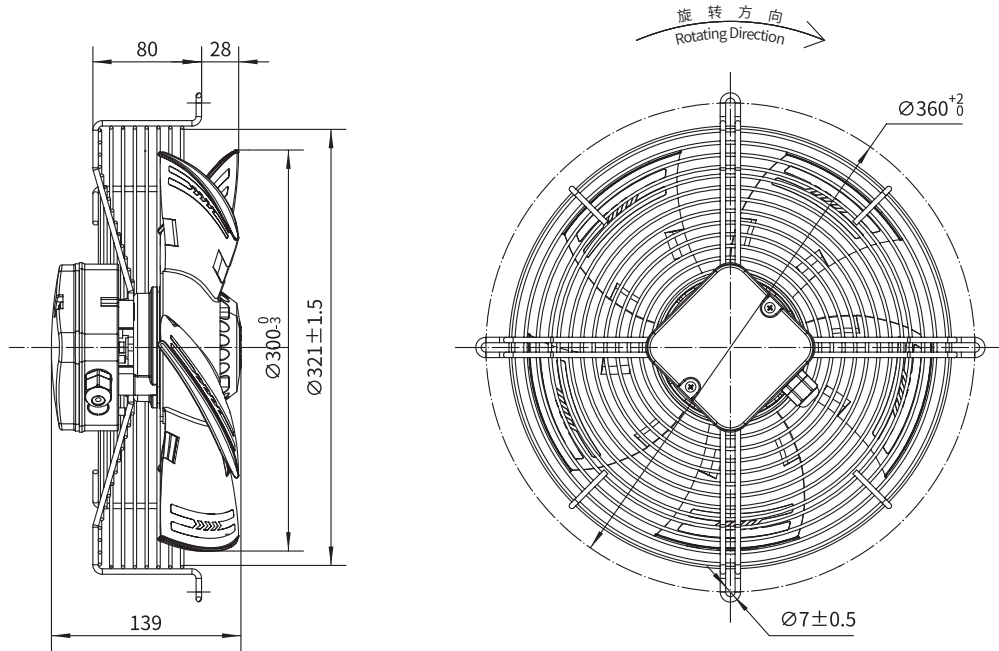
	电压 Voltage	频率 Frequency	电流 Current	功率 Power	转速 Speed	电容 Capacitor	风量 Air Flow (0 Pa)	噪音 Noise	曲线 Curve	运行温度 Working Temp.	认证 Approvals
Type F1	V	Hz	A	W	RPM	μF	[m <sup>3</sup> /h]/[CFM]	dB(A)	No.	Min/Max(°C)	
/	220/230	50	0.28	65	1320	2	1780/1050	53	③	-30/+60	CCC, CE
/	220/230	60	0.32	77	1485	2	2065/1215	56	④	-30/+60	CCC, CE
/	220/230	50	0.17	70	1350	/	1740/1025	55	③	-30/+60	CCC, CE
/	220/230	60	0.16	80	1500	/	1970/1160	58	④	-30/+60	CCC, CE
/	220/230	50	0.24	50	920	2	1280/755	48	①	-30/+60	CCC, CE
/	220/230	60	0.24	55	1080	2	1520/895	53	②	-30/+60	CCC, CE



机翼形塑料叶片轴流风机  
Plastic Airfoil Blade Axial Fan

Φ 300

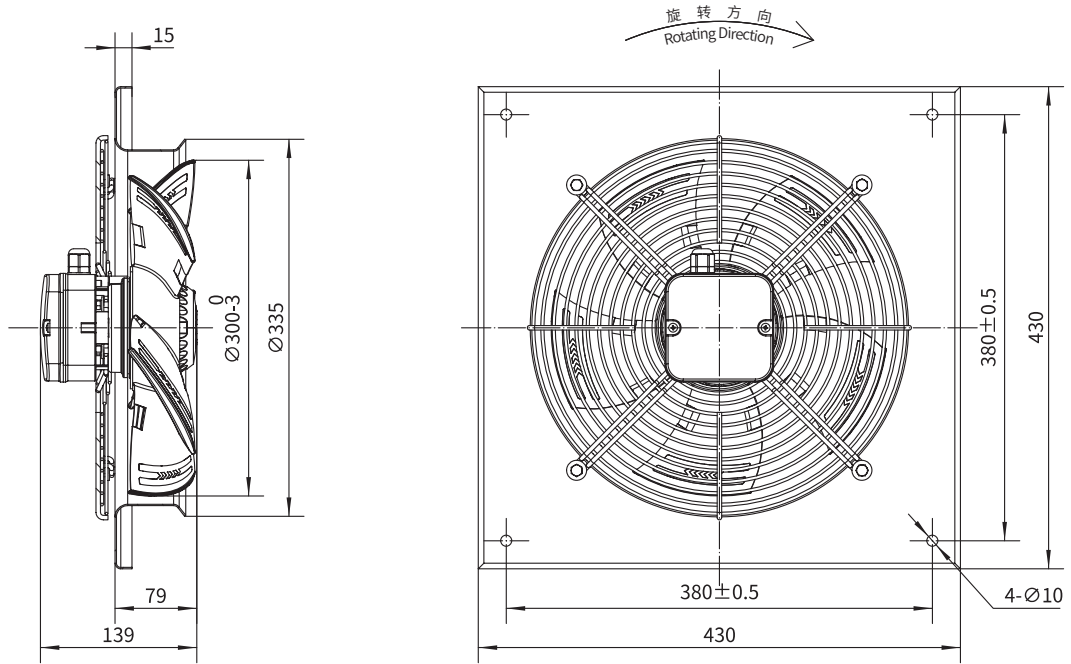
D 型网罩 Type D



 机翼形塑料叶片轴流风机  
Plastic Airfoil Blade Axial Fan

Φ 300

F0 型面板 Type F0



 机翼形塑料叶片轴流风机  
Plastic Airfoil Blade Axial Fan

**ErP2015**  
EXCEEDS THE NORM



**Φ350**

转子材质 Rotor Material: 铸铝 Aluminum Die-casting

叶轮材质 Impeller Material: 塑料 Plastic

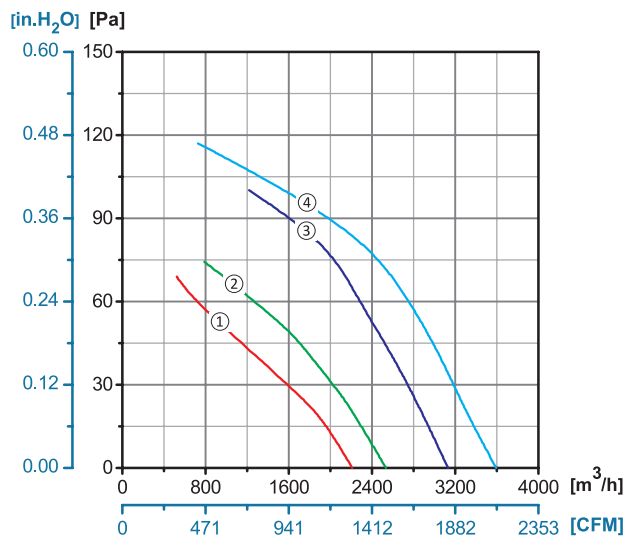
防护等级 Ingress Protection: IP54






绝缘等级 Insulation Class: F

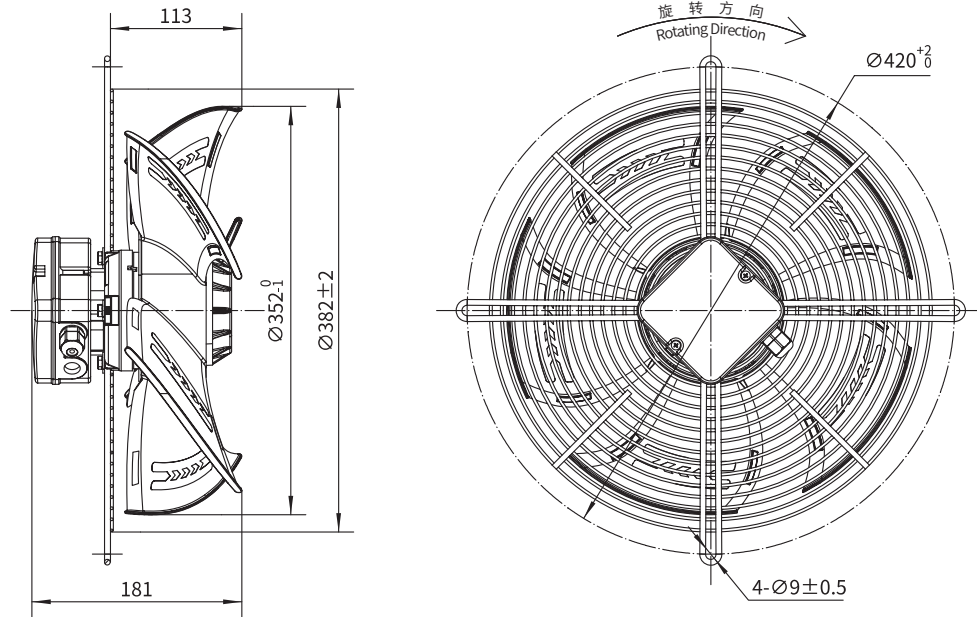
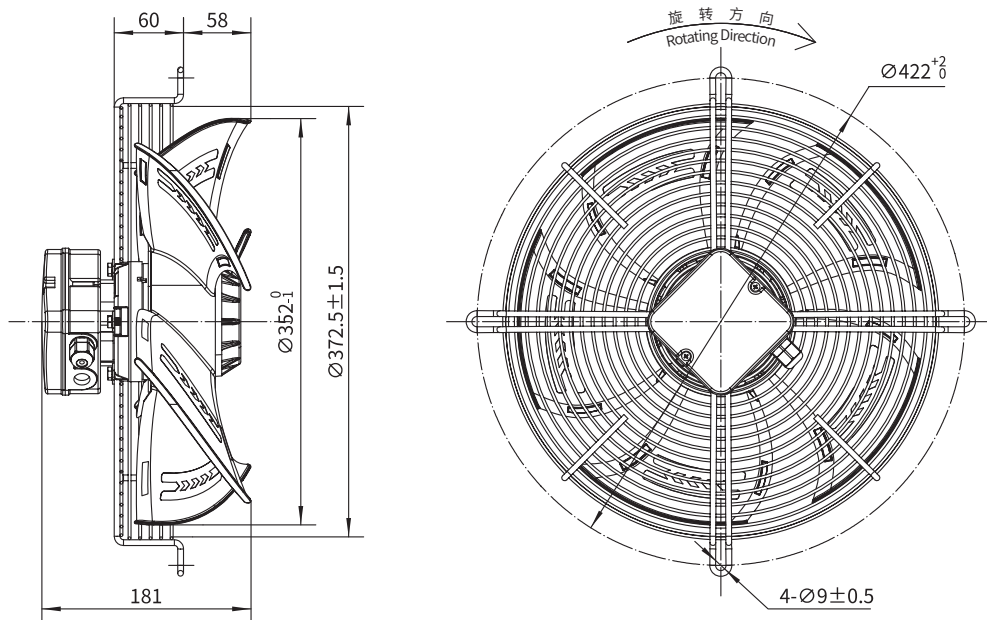
轴承类型 Bearing Type: 免维护滚珠球轴承


Maintenance Free Ball Bearing

性能曲线 Performance Curves



				
Type B	Type C	Type D	Type E	Type F0
YWF.A4S-350S-5B   AP0	YWF.A4S-350S-5C   AP0	YWF.A4S-350S-5D   AP0	YWF.A4S-350S-5E   AP0	YWF.A4S-350S-5F   AP0
YWF.A4T-350S-5B   AP0	YWF.A4T-350S-5C   AP0	YWF.A4T-350S-5D   AP0	YWF.A4T-350S-5E   AP0	YWF.A4T-350S-5F   AP0
YWF.A6S-350S-5B   AP0	YWF.A6S-350S-5C   AP0	YWF.A6S-350S-5D   AP0	YWF.A6S-350S-5E   AP0	YWF.A6S-350S-5F   AP0
YWF.A6T-350S-5B   AP0	YWF.A6T-350S-5C   AP0	YWF.A6T-350S-5D   AP0	YWF.A6T-350S-5E   AP0	YWF.A6T-350S-5F   AP0

**B 型网罩 Type B**

**C 型网罩 Type C**


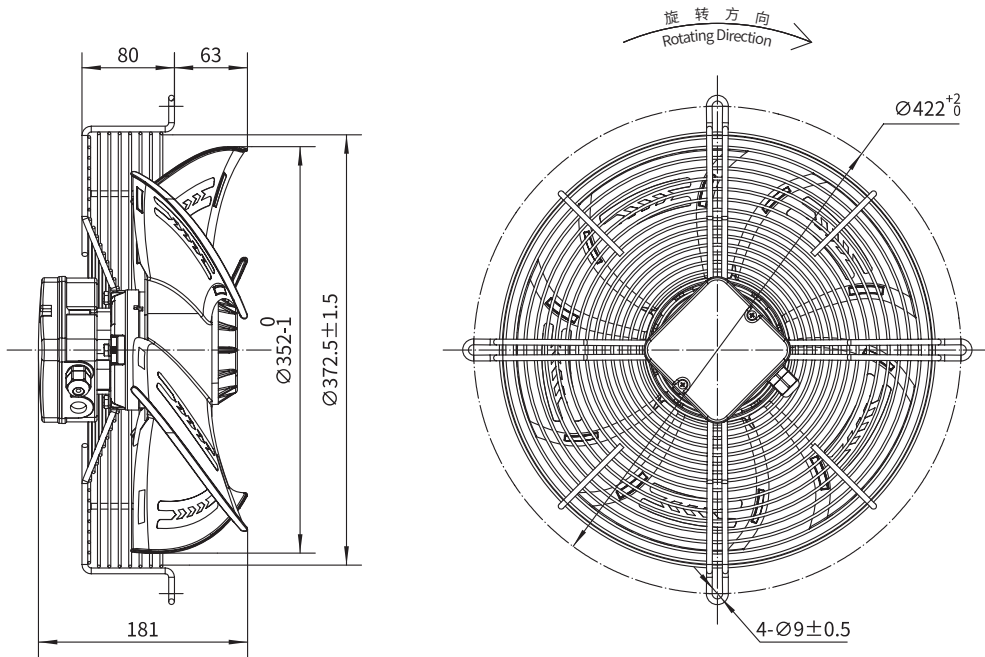
	电压 Voltage	频率 Frequency	电流 Current	功率 Power	转速 Speed	电容 Capacitor	风量 Air Flow (0 Pa)	噪音 Noise	曲线 Curve	运行温度 Working Temp.	认证 Approvals
Type F1	V	Hz	A	W	RPM	μF	[m <sup>3</sup> /h]/[CFM]	dB(A)	No.	Min/Max(°C)	
/	220/230	50	0.73	155	1380	4	3140/1845	60	③	-30/+60	CCC, CE
/	220/230	60	0.94	215	1500	4	3600/2120	63	④	-30/+60	CCC, CE
/	380/400	50	0.37	150	1370	/	3060/1800	60	③	-30/+60	CCC, CE
/	380/400	60	0.38	200	1530	/	3470/2040	63	④	-30/+60	CCC, CE
/	220/230	50	0.41	85	910	3	2080/1225	48	①	-30/+60	CCC, CE
/	220/230	60	0.39	90	1060	3	2420/1426	53	②	-30/+60	CCC, CE
/	380/400	50	0.21	70	930	/	2200/1295	54	①	-30/+60	CCC, CE
/	380/400	60	0.19	85	1050	/	2540/1495	56	②	-30/+60	CCC, CE



机翼形塑料叶片轴流风机  
Plastic Airfoil Blade Axial Fan

Φ 350

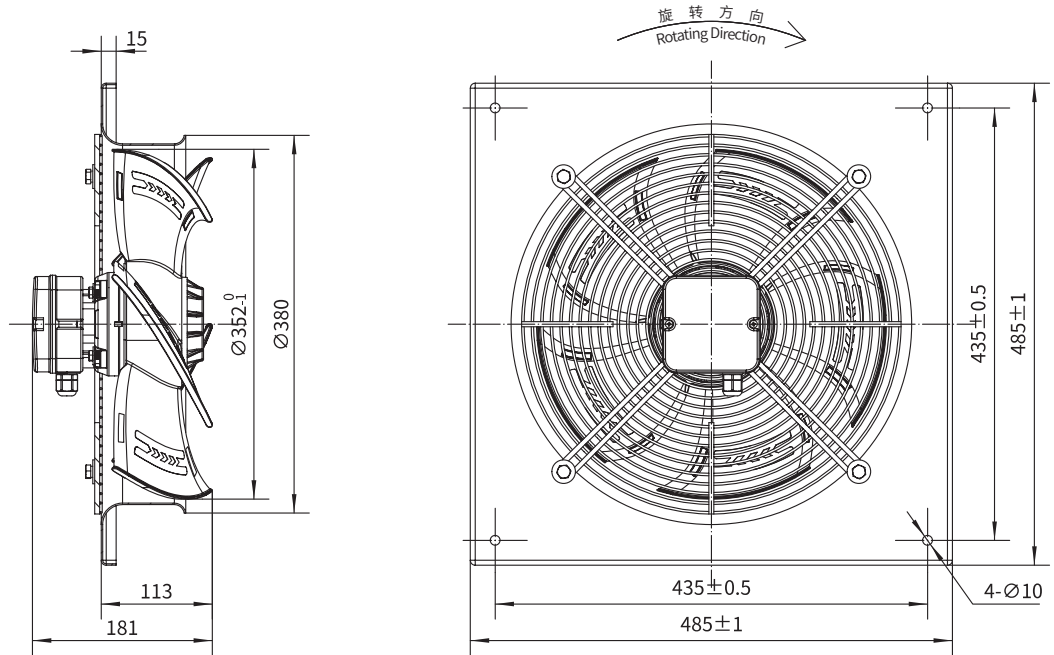
D 型网罩 Type D



 机翼形塑料叶片轴流风机  
Plastic Airfoil Blade Axial Fan

Φ 350

F0 型面板 Type F0



 机翼形塑料叶片轴流风机  
Plastic Airfoil Blade Axial Fan

**ErP2015**  
EXCEEDS THE NORM



**Φ400**

转子材质 Rotor Material: 铸铝 Aluminum Die-casting

叶轮材质 Impeller Material: 塑料 Plastic

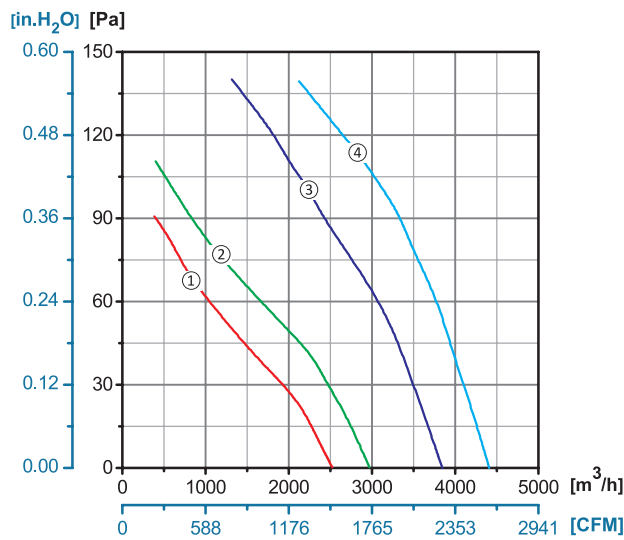
防护等级 Ingress Protection: IP54






绝缘等级 Insulation Class: F

轴承类型 Bearing Type: 免维护滚珠球轴承

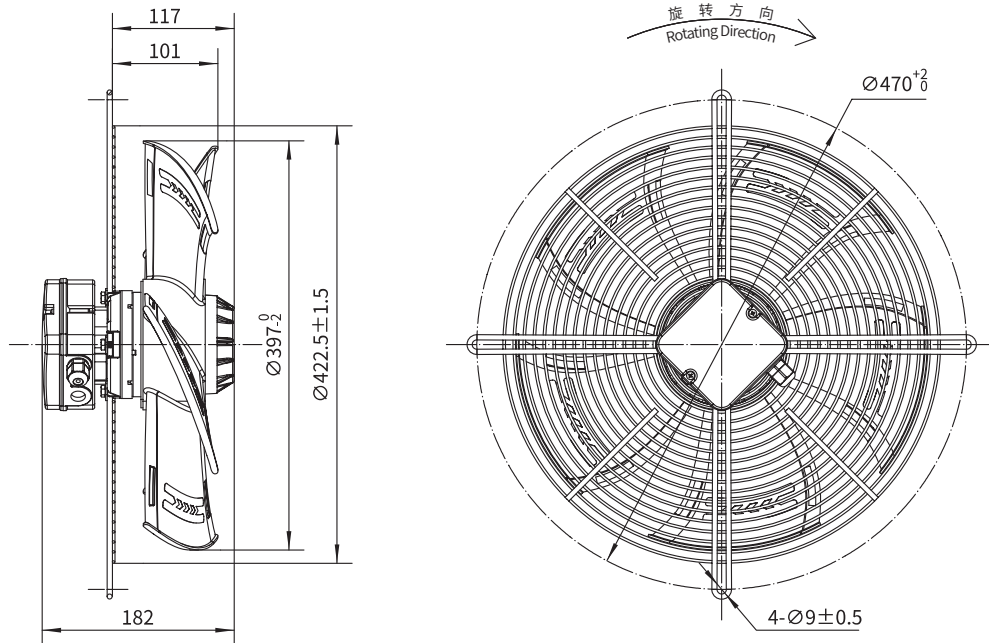
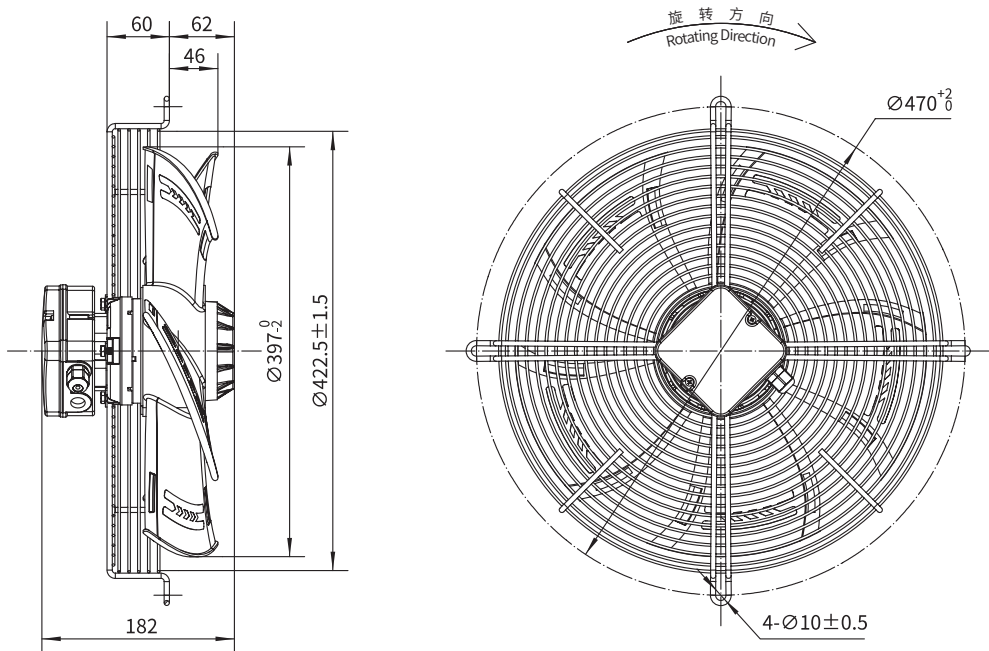
Maintenance Free Ball Bearing

性能曲线 Performance Curves



				
Type B	Type C	Type D	Type E	Type F0
YWF.A4S-400S-5B   AP0	YWF.A4S-400S-5C   AP0	YWF.A4S-400S-5D   AP0	YWF.A4S-400S-5E   AP0	YWF.A4S-400S-5F   AP0
YWF.A4T-400S-5B   AP0	YWF.A4T-400S-5C   AP0	YWF.A4T-400S-5D   AP0	YWF.A4T-400S-5E   AP0	YWF.A4T-400S-5F   AP0
YWF.A6S-400S-5B   AP0	YWF.A6S-400S-5C   AP0	YWF.A6S-400S-5D   AP0	YWF.A6S-400S-5E   AP0	YWF.A6S-400S-5F   AP0
YWF.A6T-400S-5B   AP0	YWF.A6T-400S-5C   AP0	YWF.A6T-400S-5D   AP0	YWF.A6T-400S-5E   AP0	YWF.A6T-400S-5F   AP0



**B 型网罩 Type B**

**C 型网罩 Type C**


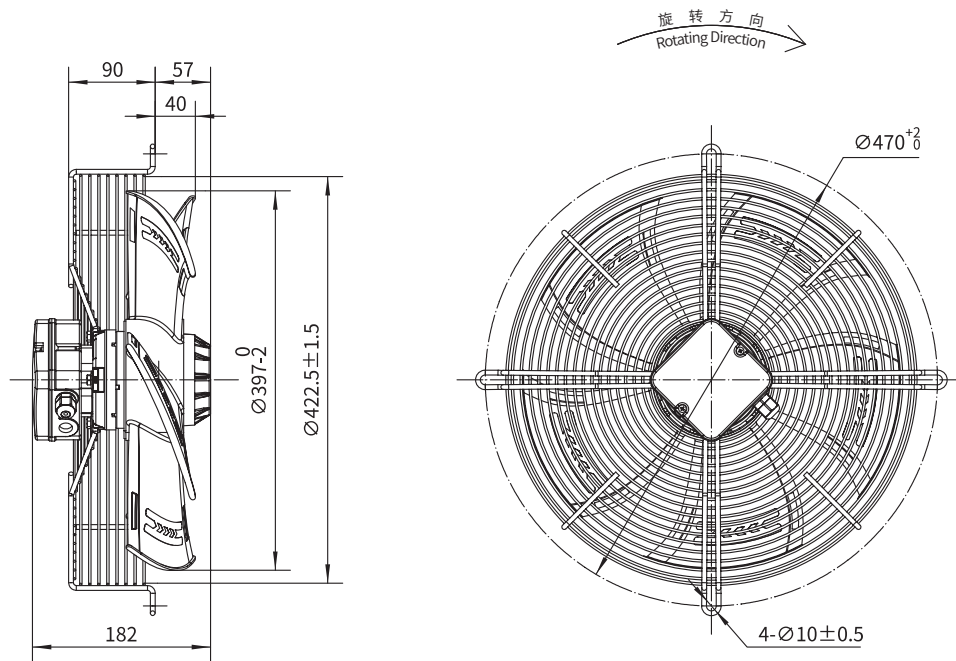
	电压 Voltage	频率 Frequency	电流 Current	功率 Power	转速 Speed	电容 Capacitor	风量 Air Flow (0 Pa)	噪音 Noise	曲线 Curve	运行温度 Working Temp.	认证 Approvals
Type F1	V	Hz	A	W	RPM	$\mu\text{F}$	$[\text{m}^3/\text{h}]/[\text{CFM}]$	$\text{dB(A)}$	No.	Min/Max( $^{\circ}\text{C}$ )	
/	220/230	50	0.76	170	1400	6	3780/2225	58	③	-30/+60	CCC, CE
/	220/230	60	1.07	240	1600	6	4380/2575	61	④	-30/+60	CCC, CE
/	380/400	50	0.50	160	1400	/	3850/2265	60	③	-30/+60	CCC, CE
/	380/400	60	0.50	220	1600	/	4400/2590	63	④	-30/+60	CCC, CE
/	220/230	50	0.44	95	930	4	2520/1480	52	①	-30/+60	CCC, CE
/	220/230	60	0.49	110	1100	4	2970/1745	56	②	-30/+60	CCC, CE
/	380/400	50	0.30	90	940	/	2520/1480	54	①	-30/+60	CCC, CE
/	380/400	60	0.25	95	1100	/	2950/1735	57	②	-30/+60	CCC, CE



**机翼形塑料叶片轴流风机**  
**Plastic Airfoil Blade Axial Fan**

**Φ400**

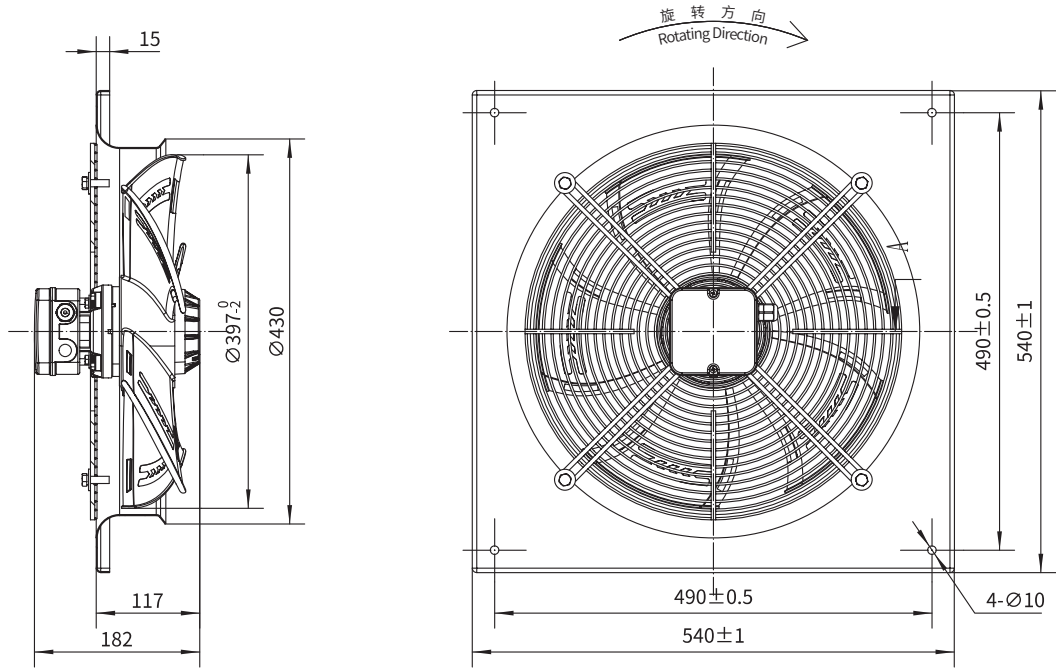
D 型网罩 Type D



 机翼形塑料叶片轴流风机  
Plastic Airfoil Blade Axial Fan

Φ400

F0 型面板 Type F0



 机翼形塑料叶片轴流风机  
Plastic Airfoil Blade Axial Fan

**ErP2015**  
EXCEEDS THE NORM



**Φ450**

转子材质 Rotor Material: 铸铝 Aluminum Die-casting

叶轮材质 Impeller Material: 塑料 Plastic

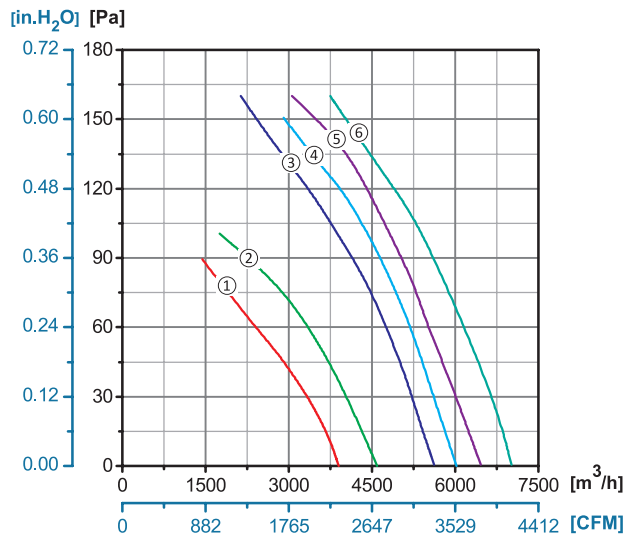
防护等级 Ingress Protection: IP54






绝缘等级 Insulation Class: F

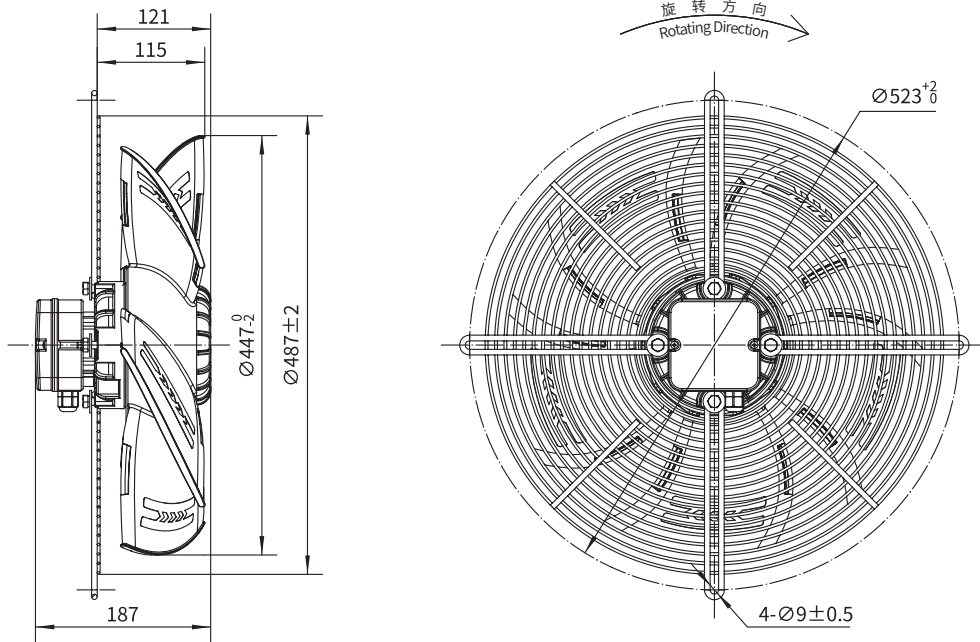
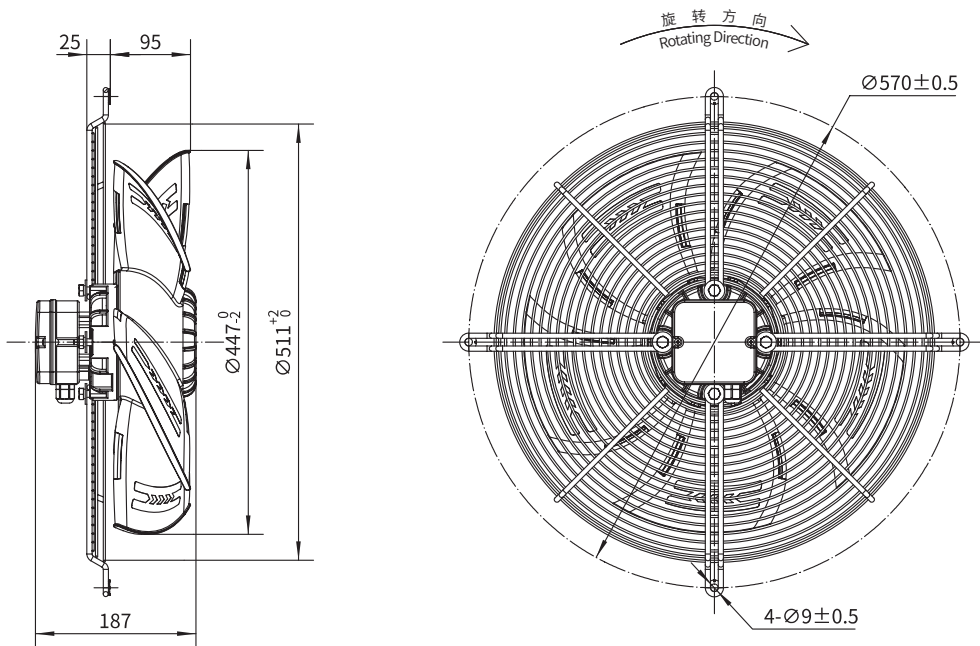
轴承类型 Bearing Type: 免维护滚珠球轴承


Maintenance Free Ball Bearing

性能曲线 Performance Curves



				
Type B	Type C	Type D	Type E	Type F0
YWF.A4S-450S-5B   AP0	YWF.A4S-450S-5C   AP0	YWF.A4S-450S-5D   AP0	YWF.A4S-450S-5E   AP0	YWF.A4S-450S-5F   AP0
YWF.A4T-450S-5B   AP0	YWF.A4T-450S-5C   AP0	YWF.A4T-450S-5D   AP0	YWF.A4T-450S-5E   AP0	YWF.A4T-450S-5F   AP0
YWF.A6S-450S-5B   AP0	YWF.A6S-450S-5C   AP0	YWF.A6S-450S-5D   AP0	YWF.A6S-450S-5E   AP0	YWF.A6S-450S-5F   AP0
YWF.A6T-450S-5B   AP0	YWF.A6T-450S-5C   AP0	YWF.A6T-450S-5D   AP0	YWF.A6T-450S-5E   AP0	YWF.A6T-450S-5F   AP0

**B 型网罩 Type B**

**C 型网罩 Type C**


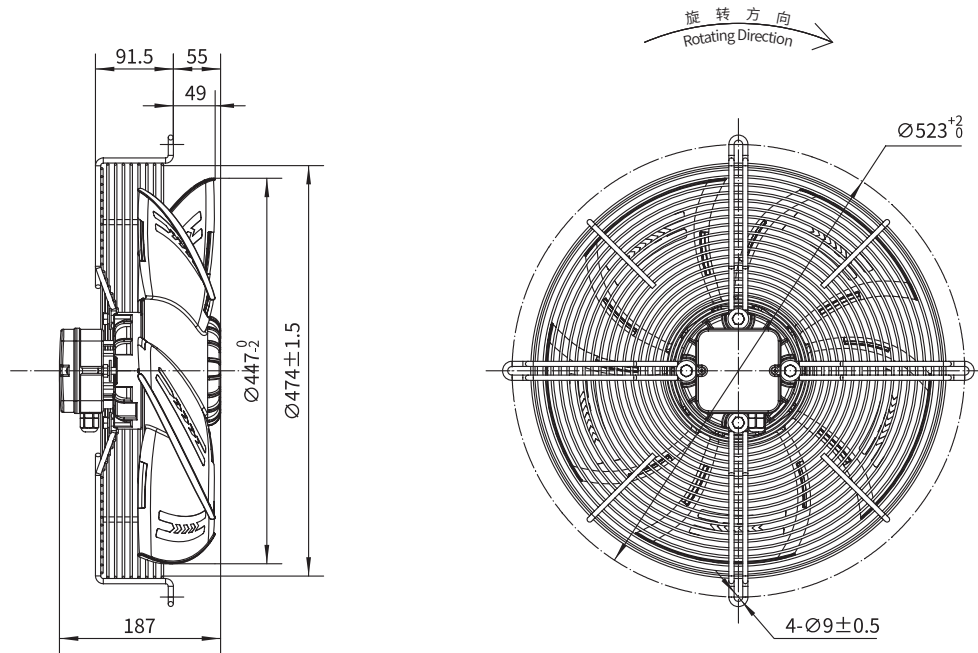
	电压 Voltage	频率 Frequency	电流 Current	功率 Power	转速 Speed	电容 Capacitor	风量 Air Flow (0 Pa)	噪音 Noise	曲线 Curve	运行温度 Working Temp.	认证 Approvals
Type F1	V	Hz	A	W	RPM	$\mu$ F	[m <sup>3</sup> /h]/[CFM]	dB(A)	No.	Min/Max(°C)	
/	220/230	50	1.50	330	1350	10	6020/3540	64	④	-30/+60	CCC, CE
/	220/230	60	2.10	460	1530	10	7020/4130	65	⑥	-30/+60	CCC, CE
/	380/400	50	0.73	300	1370	/	5620/3305	66	③	-30/+60	CCC, CE
/	380/400	60	0.82	440	1540	/	6460/3800	69	⑤	-30/+60	CCC, CE
/	220/230	50	0.68	140	930	4	3860/2270	56	①	-30/+60	CCC, CE
/	220/230	60	0.77	175	1070	4	4500/2645	62	②	-30/+60	CCC, CE
/	380/400	50	0.62	145	950	/	3900/2295	57	①	-30/+60	CCC, CE
/	380/400	60	0.52	175	1100	/	4590/2700	60	②	-30/+60	CCC, CE



**机翼形塑料叶片轴流风机**  
**Plastic Airfoil Blade Axial Fan**

**Φ450**

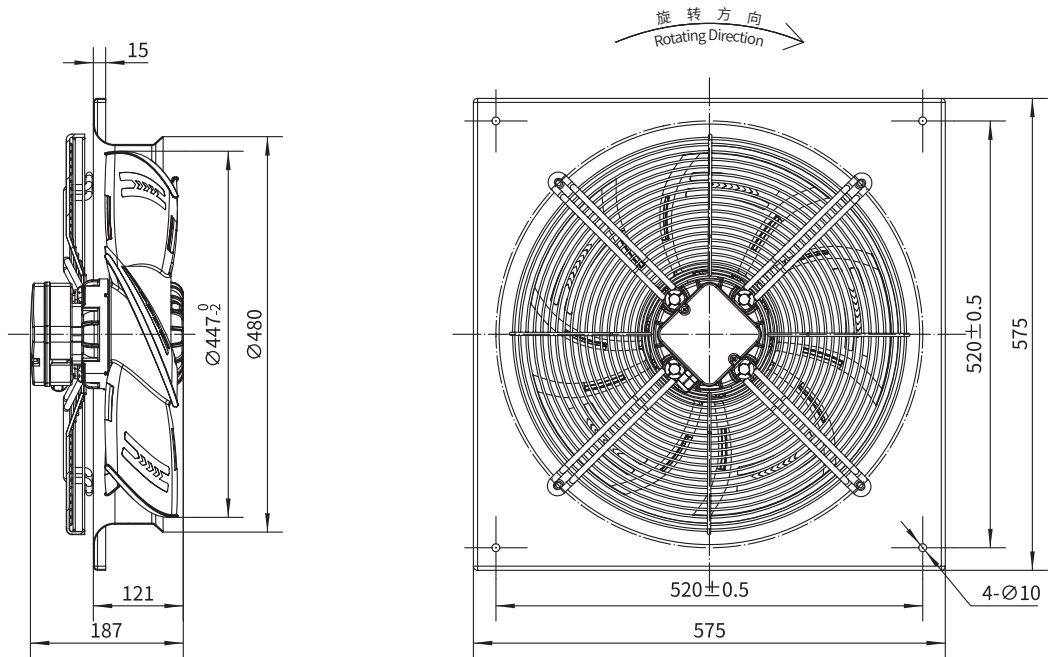
D 型网罩 Type D



 机翼形塑料叶片轴流风机  
Plastic Airfoil Blade Axial Fan

Φ450

F0 型面板 Type F0



 机翼形塑料叶片轴流风机  
Plastic Airfoil Blade Axial Fan

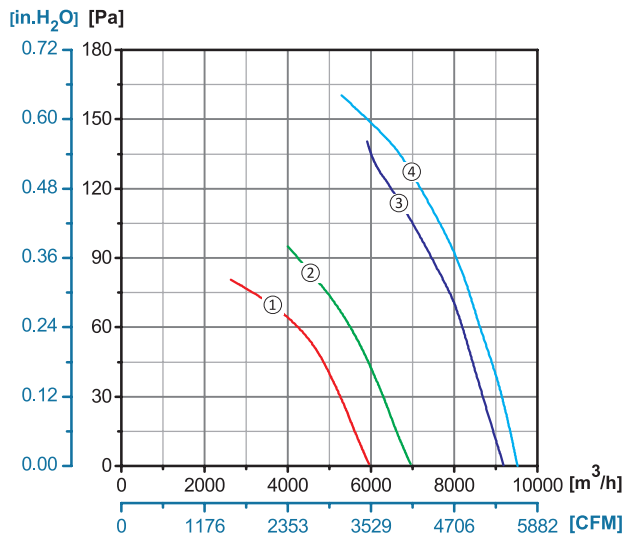
**ErP2015**  
EXCEEDS THE NORM








**Φ500**

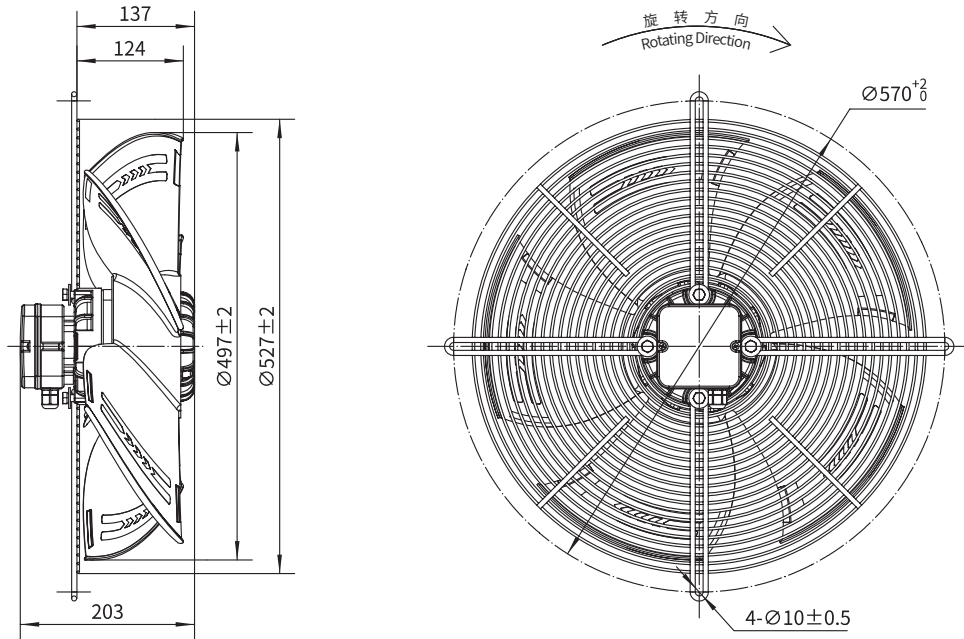
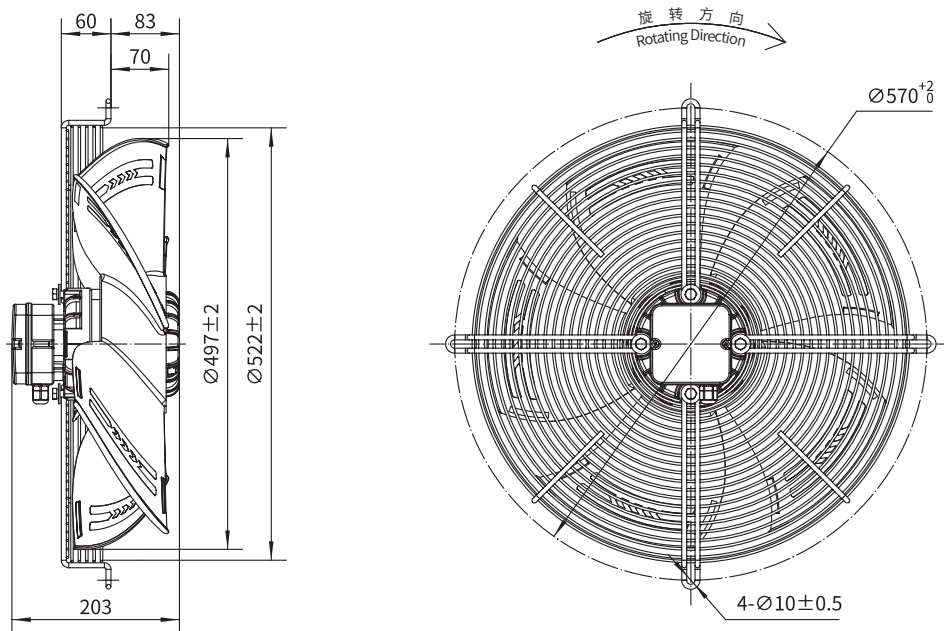
转子材质 Rotor Material: 铸铝 Aluminum Die-casting  
 叶轮材质 Impeller Material: 塑料 Plastic  
 防护等级 Ingress Protection: IP54  
 绝缘等级 Insulation Class: F  
 轴承类型 Bearing Type: 免维护滚珠球轴承  
 Maintenance Free Ball Bearing


性能曲线 Performance Curves



				
Type B	Type C	Type D	Type E	Type F0
YWF.A4S-500S-5B   AP1	YWF.A4S-500S-5C   AP1	YWF.A4S-500S-5D   AP1	YWF.A4S-500S-5E   AP1	/
YWF.A4T-500S-5B   AP0	YWF.A4T-500S-5C   AP0	YWF.A4T-500S-5D   AP0	YWF.A4T-500S-5E   AP0	/
YWF.A4T-500S-5B   AP1	YWF.A4T-500S-5C   AP1	YWF.A4T-500S-5D   AP1	YWF.A4T-500S-5E   AP1	/
YWF.A6S-500S-5B   AP0	YWF.A6S-500S-5C   AP0	YWF.A6S-500S-5D   AP0	YWF.A6S-500S-5E   AP0	/
YWF.A6T-500S-5B   AP0	YWF.A6T-500S-5C   AP0	YWF.A6T-500S-5D   AP0	YWF.A6T-500S-5E   AP0	/



**B 型网罩 Type B**

**C 型网罩 Type C**


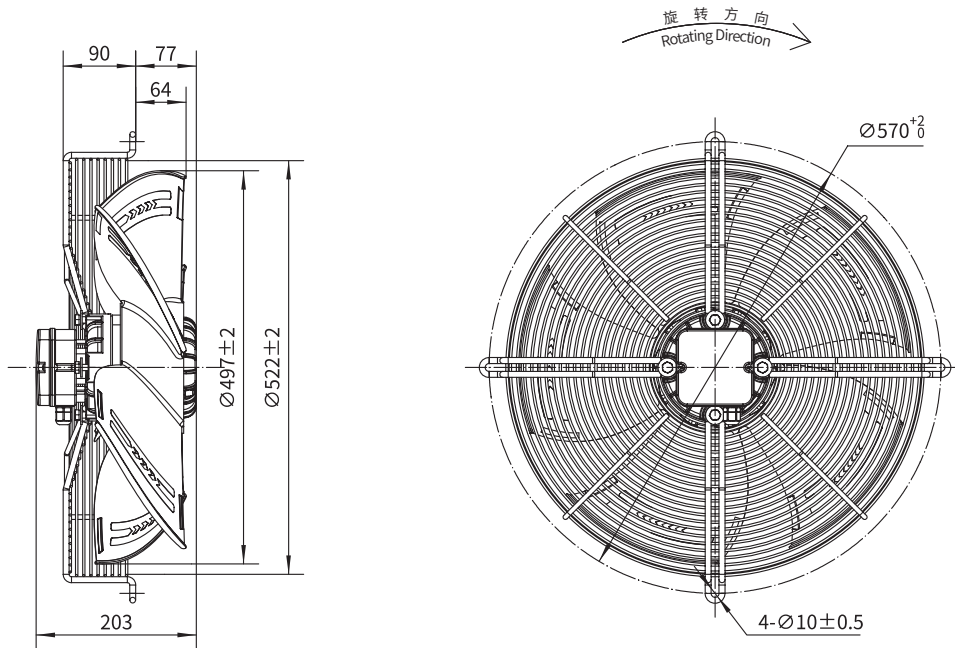
	电压 Voltage	频率 Frequency	电流 Current	功率 Power	转速 Speed	电容 Capacitor	风量 Air Flow (0 Pa)	噪音 Noise	曲线 Curve	运行温度 Working Temp.	认证 Approvals
Type F1	V	Hz	A	W	RPM	$\mu\text{F}$	$[\text{m}^3/\text{h}]/[\text{CFM}]$	$\text{dB(A)}$	No.	Min/Max( $^{\circ}\text{C}$ )	
YWF.A4S-500S-5F   AP1	220/230	50	3.26	700	1400	16	9520/5410	74	④	-30/+60	CCC, CE
YWF.A4T-500S-5F   AP0	380/400	50	1.27	620	1340	/	9190/5410	73	③	-30/+60	CCC, CE
YWF.A4T-500S-5F   AP1	380/400	50	1.39	650	1390	/	9190/5410	71	③	-30/+60	CCC, CE
YWF.A6S-500S-5F   AP0	220/230	50	1.23	265	900	10	6000/3530	67	①	-30/+60	CCC, CE
	220/230	60	1.60	360	1000	10	7000/4120	69	②	-30/+60	CCC, CE
YWF.A6T-500S-5F   AP0	380/400	50	0.99	280	940	/	5950/3500	63	①	-30/+60	CCC, CE
	380/400	60	0.89	360	1090	/	6950/4090	66	②	-30/+60	CCC, CE



机翼形塑料叶片轴流风机  
Plastic Airfoil Blade Axial Fan

Φ500

D 型网罩 Type D

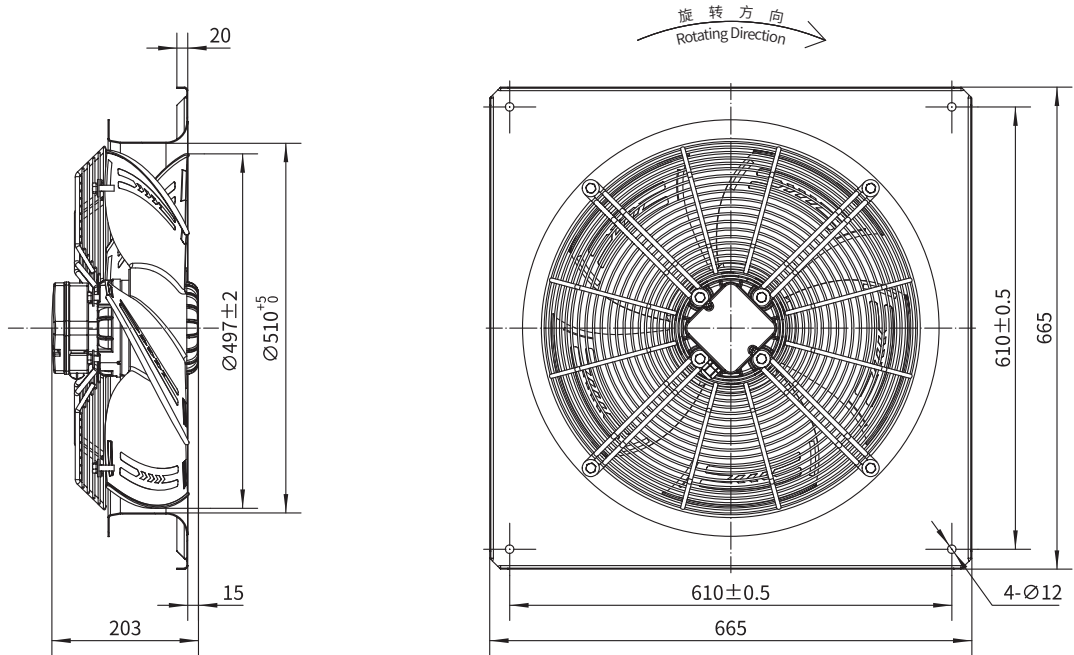




机翼形塑料叶片轴流风机  
Plastic Airfoil Blade Axial Fan

Φ500

F0 型面板 Type F0



 机翼形塑料叶片轴流风机  
Plastic Airfoil Blade Axial Fan

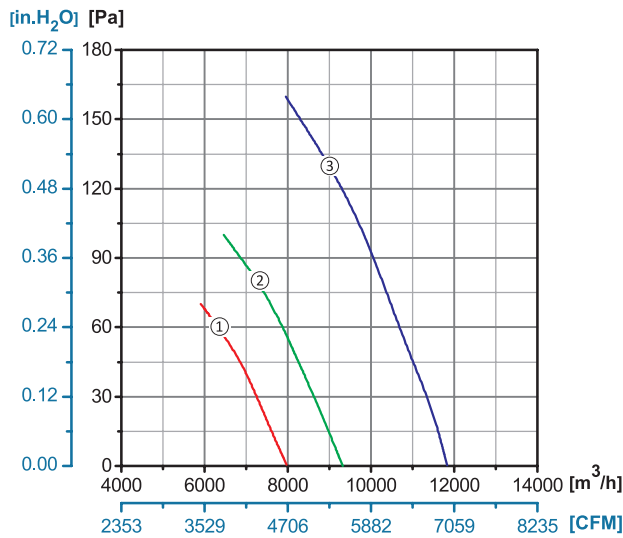
**ErP2015**  
EXCEEDS THE NORM








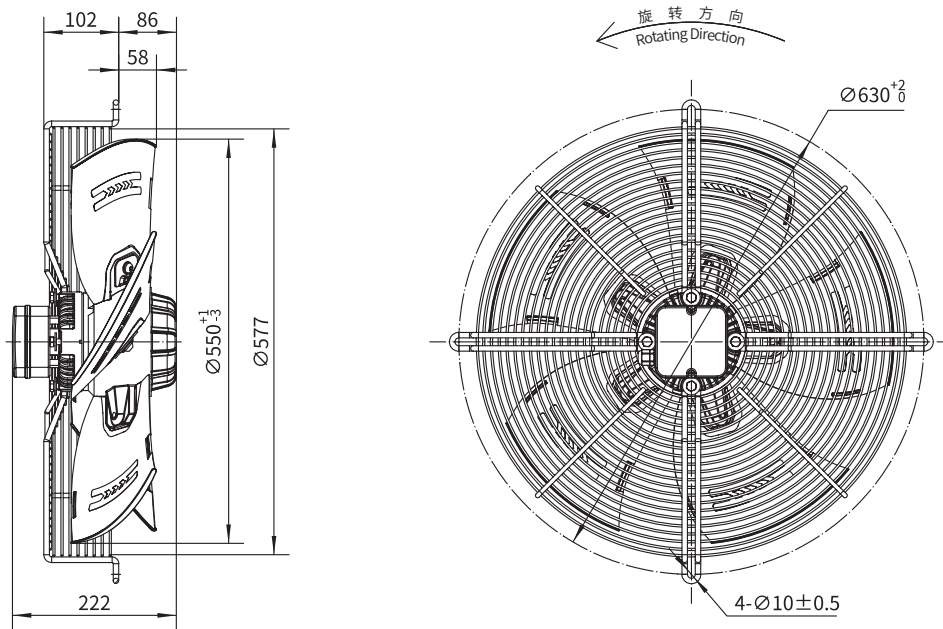
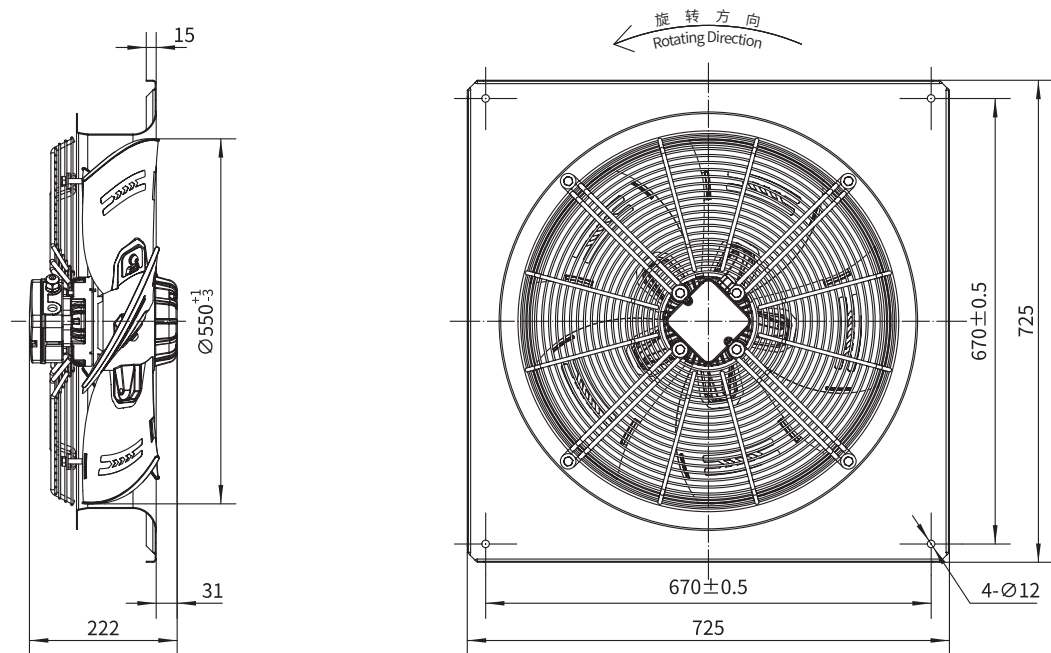
**Φ560**


转子材质 Rotor Material: 铸铝 Aluminum Die-casting  
 叶轮材质 Impeller Material: 塑料 Plastic  
 防护等级 Ingress Protection: IP54  
 绝缘等级 Insulation Class: F  
 轴承类型 Bearing Type: 免维护滚珠球轴承  
 Maintenance Free Ball Bearing

性能曲线 Performance Curves



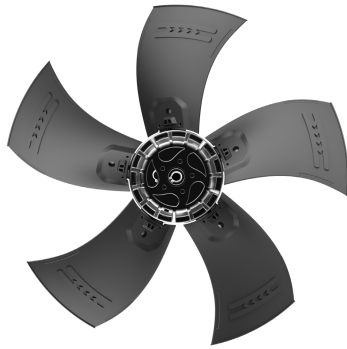
				
Type B	Type C	Type D	Type E	Type F0
YWF.A4T-560S-5B   AP0	YWF.A4T-560S-5C   AP0	YWF.A4T-560S-5D   AP0	YWF.A4T-560S-5E   AP0	YWF.A4T-560S-5F   AP0
YWF.A6S-560S-5B   AP0	YWF.A6S-560S-5C   AP0	YWF.A6S-560S-5D   AP0	YWF.A6S-560S-5E   AP0	YWF.A6S-560S-5F   AP0
YWF.A6T-560S-5B   AP0	YWF.A6T-560S-5C   AP0	YWF.A6T-560S-5D   AP0	YWF.A6T-560S-5E   AP0	YWF.A6T-560S-5F   AP0

**D 型网罩 Type D**

**F1 型面板 Type F1**


	电压 Voltage	频率 Frequency	电流 Current	功率 Power	转速 Speed	电容 Capacitor	风量 Air Flow (0 Pa)	噪音 Noise	曲线 Curve	运行温度 Working Temp.	认证 Approvals
Type F1	V	Hz	A	W	RPM	$\mu$ F	[m <sup>3</sup> /h]/[CFM]	dB(A)	No.	Min/Max(°C)	
YWF.A4T-560S-5F   AP1	380/400	50	1.8	950	1340	/	12000/7060	74	③	-30/+60	CCC, CE
YWF.A6S-560S-5F   AP1	220/230	50	2.04	380	930	12	7950/4676	65	①	-30/+60	CCC, CE
	220/230	60	2.52	550	1060	12	9270/5453	69	②	-30/+60	CCC, CE
YWF.A6T-560S-5F   AP1	380/400	50	1.36	380	940	/	7970/4688	65	①	-30/+60	CCC, CE
	380/400	60	1.26	530	1080	/	9330/5488	70	②	-30/+60	CCC, CE

 机翼形塑料叶片轴流风机  
Plastic Airfoil Blade Axial Fan

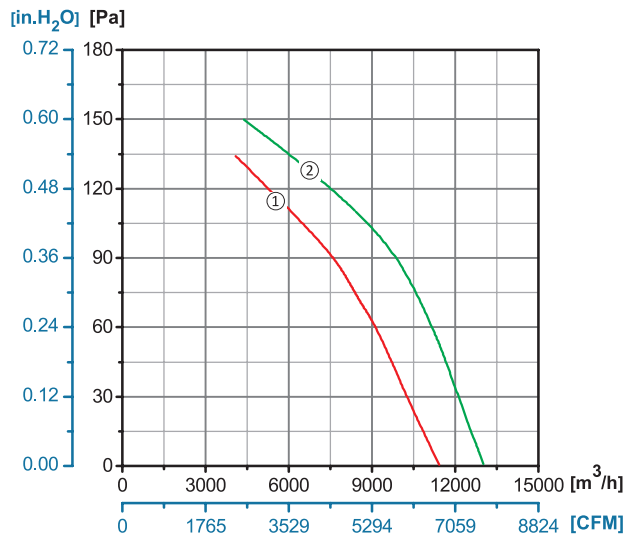
**ErP2015**  
EXCEEDS THE NORM








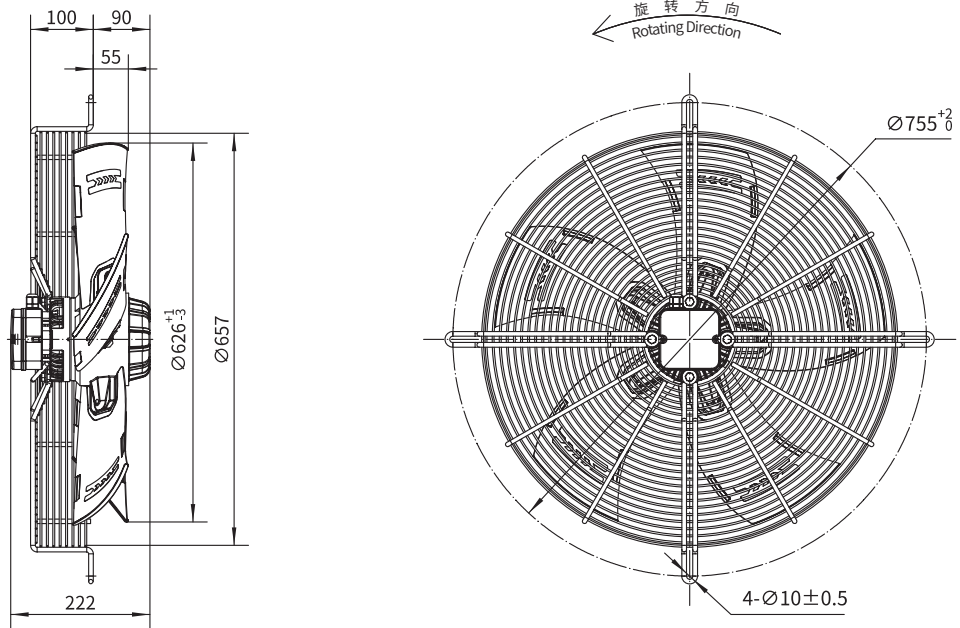
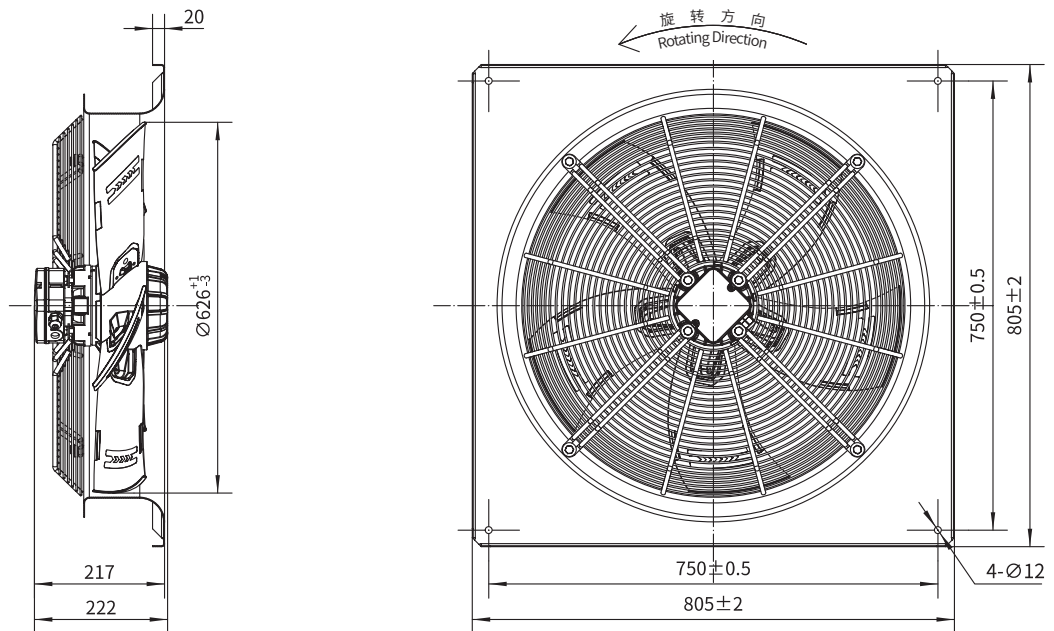
**Φ630**


转子材质 Rotor Material: 铸铝 Aluminum Die-casting  
 叶轮材质 Impeller Material: 塑料 Plastic  
 防护等级 Ingress Protection: IP54  
 绝缘等级 Insulation Class: F  
 轴承类型 Bearing Type: 免维护滚珠球轴承  
 Maintenance Free Ball Bearing

性能曲线 Performance Curves



				
Type B	Type C	Type D	Type E	Type F0
YWF.A6S-630S-5B   AP0	YWF.A6S-630S-5C   AP0	YWF.A6S-630S-5D   AP0	YWF.A6S-630S-5E   AP0	YWF.A6S-630S-5F   AP0
YWF.A6T-630S-5B   AP0	YWF.A6T-630S-5C   AP0	YWF.A6T-630S-5D   AP0	YWF.A6T-630S-5E   AP0	YWF.A6T-630S-5F   AP0

**D 型网罩 Type D**

**F1 型面板 Type F1**


	电压 Voltage	频率 Frequency	电流 Current	功率 Power	转速 Speed	电容 Capacitor	风量 Air Flow (0 Pa)	噪音 Noise	曲线 Curve	运行温度 Working Temp.	认证 Approvals
Type F1	V	Hz	A	W	RPM	μF	[m³/h]/[CFM]	dB(A)	No.	Min/Max(°C)	
YWF.A6S-630S-5F   AP1	220/230	50	2.0	420	930	12	11000/6470	67	①	-30/+60	CCC, CE
	220/230	60	2.6	600	1070	12	12600/7410	71	②	-30/+60	CCC, CE
YWF.A6T-630S-5F   AP1	380/400	50	1.43	480	910	/	11300/6650	69	①	-30/+60	CCC, CE
	380/400	60	1.43	670	1030	/	12700/7470	73	②	-30/+60	CCC, CE



 机翼形塑料叶片轴流风机  
Plastic Airfoil Blade Axial Fan

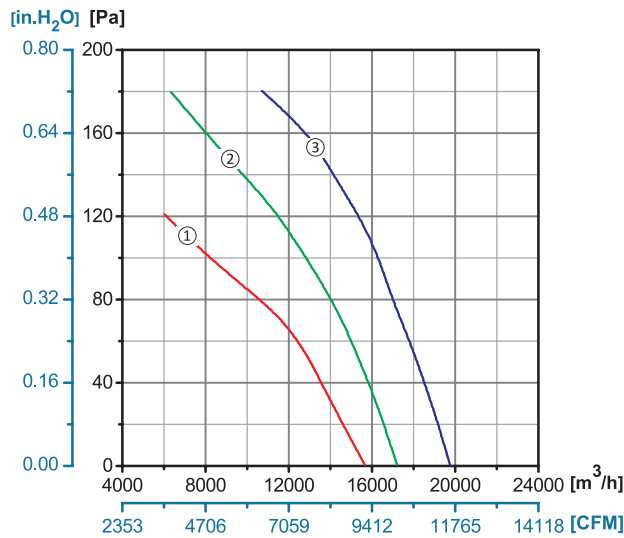
**ErP2015**  
EXCEEDS THE NORM








**Φ710**

转子材质 Rotor Material: 铸铝 Aluminum Die-casting  
 叶轮材质 Impeller Material: 塑料 Plastic  
 防护等级 Ingress Protection: IP54  
 绝缘等级 Insulation Class: F  
 轴承类型 Bearing Type: 免维护滚珠球轴承  
 Maintenance Free Ball Bearing

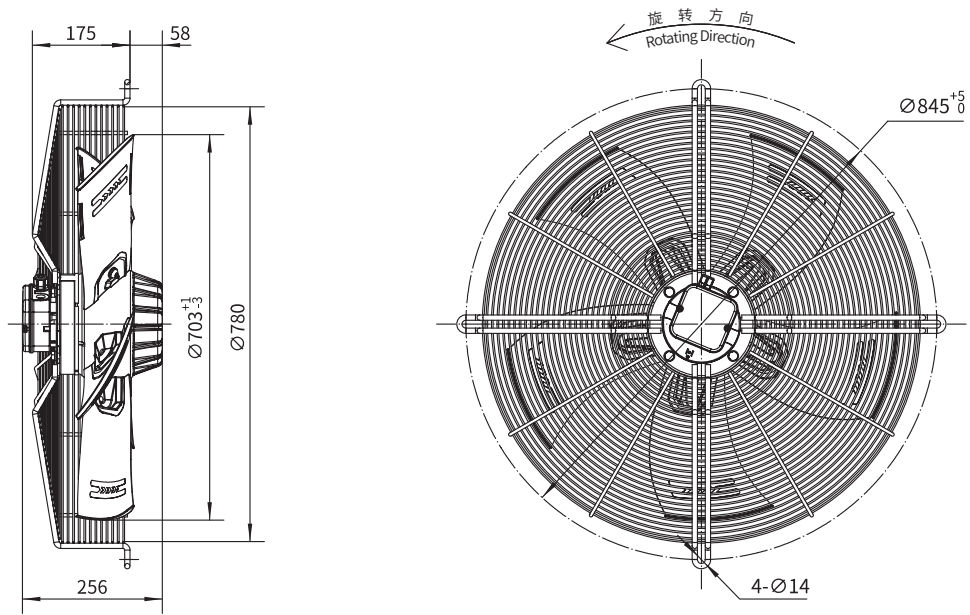
性能曲线 Performance Curves



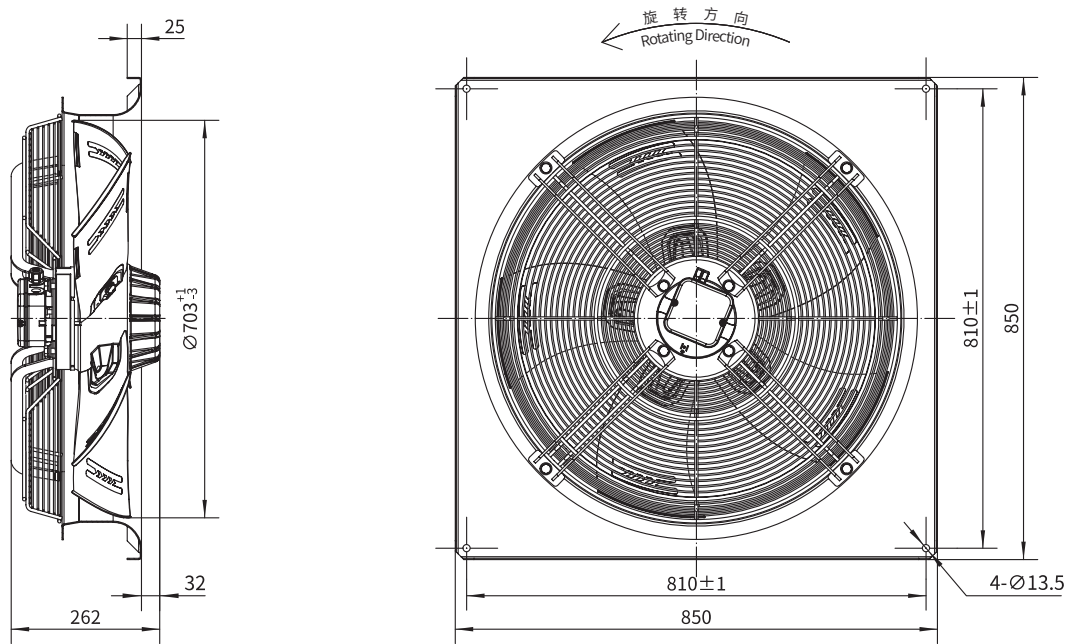
				
Type B	Type C	Type D	Type E	Type F0
/	/	YWF.A6T-710S-5D   SP0	/	/



**D 型网罩 Type D**



**F1 型面板 Type F1**



Type F1

YWF.A6T-710S-5F | SP0

电压 Voltage	频率 Frequency	电流 Current	功率 Power	转速 Speed	电容 Capacitor	风量 Air Flow (0 Pa)	噪音 Noise	曲线 Curve	运行温度 Working Temp.	认证 Approvals
V	Hz	A	W	RPM	μF	[m³/h]/[CFM]	dB(A)	No.	Min/Max(°C)	
380/400	50	2.00	850	950	/	16500/9710	75	②	-30/+60	CCC, CE
380/400	50	1.20	700	860	/	15000/8820	73	①	-30/+60	CCC, CE
380/400	60	2.30	1280	1100	/	19200/11290	77	③	-30/+60	CCC, CE

 机翼形塑料叶片轴流风机  
Plastic Airfoil Blade Axial Fan

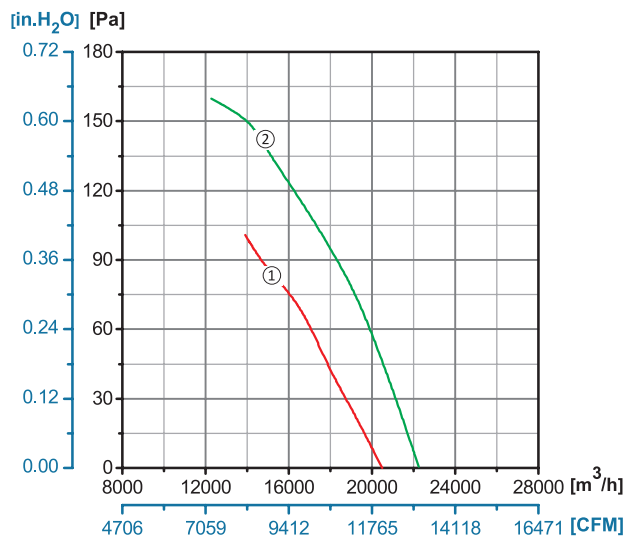
**ErP2015**  
EXCEEDS THE NORM








**Φ800**

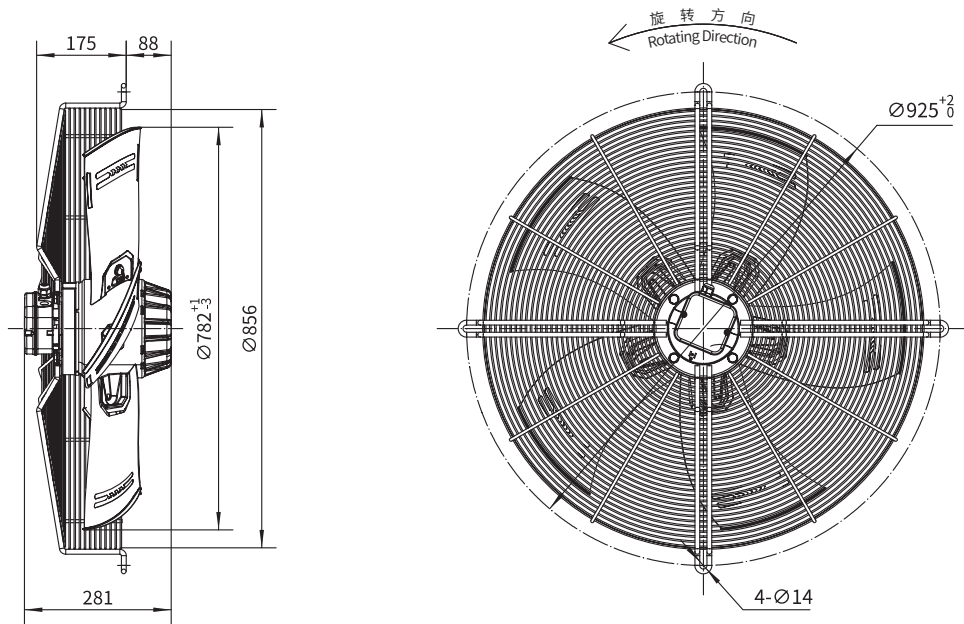
转子材质 Rotor Material: 铸铝 Aluminum Die-casting  
 叶轮材质 Impeller Material: 塑料 Plastic  
 防护等级 Ingress Protection: IP54  
 绝缘等级 Insulation Class: F  
 轴承类型 Bearing Type: 免维护滚珠球轴承  
 Maintenance Free Ball Bearing

性能曲线 Performance Curves

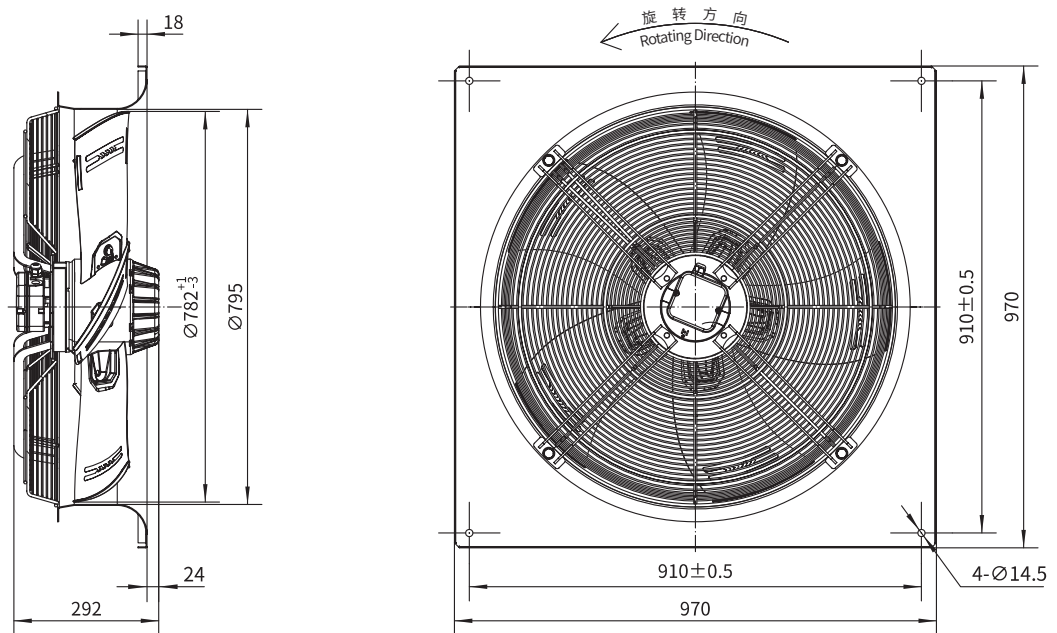


				
Type B	Type C	Type D	Type E	Type F0
/	/	YWF.A6T-800S-5D   SP0	/	/

**D 型网罩 Type D**



**F1 型面板 Type F1**



Type F1

YWF.A6T-800S-5F | SP0

电压 Voltage	频率 Frequency	电流 Current	功率 Power	转速 Speed	电容 Capacitor	风量 Air Flow (0 Pa)	噪音 Noise	曲线 Curve	运行温度 Working Temp.	认证 Approvals
V	Hz	A	W	RPM	μF	[m <sup>3</sup> /h]/[CFM]	dB(A)	No.	Min/Max(°C)	
380/400	50	3.35	1400	940	/	22240/13080	74	②	-30/+60	CCC, CE
380/400	50	1.90	1150	830	/	20500/12060	70	①	-30/+60	CCC, CE



机翼形铸铝叶片轴流风机

Aluminum Die-casting Airfoil Blade Axial Fan







**机翼形铸铝叶片轴流风机**  
**Aluminum Die-casting Airfoil Blade Axial Fan**

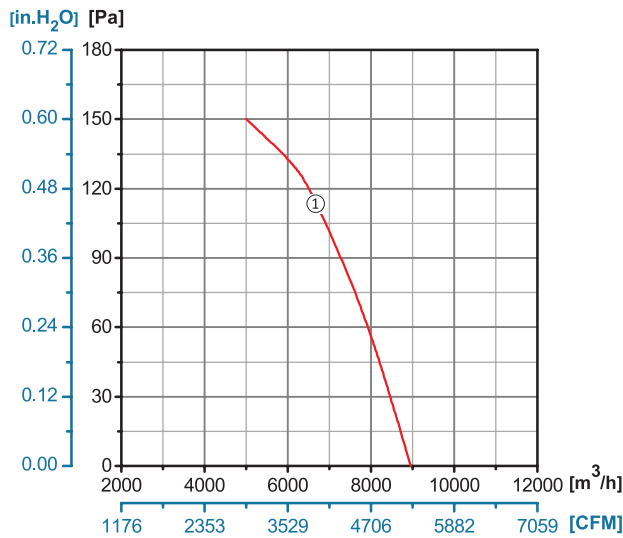
**ErP2015**  
EXCEEDS THE NORM



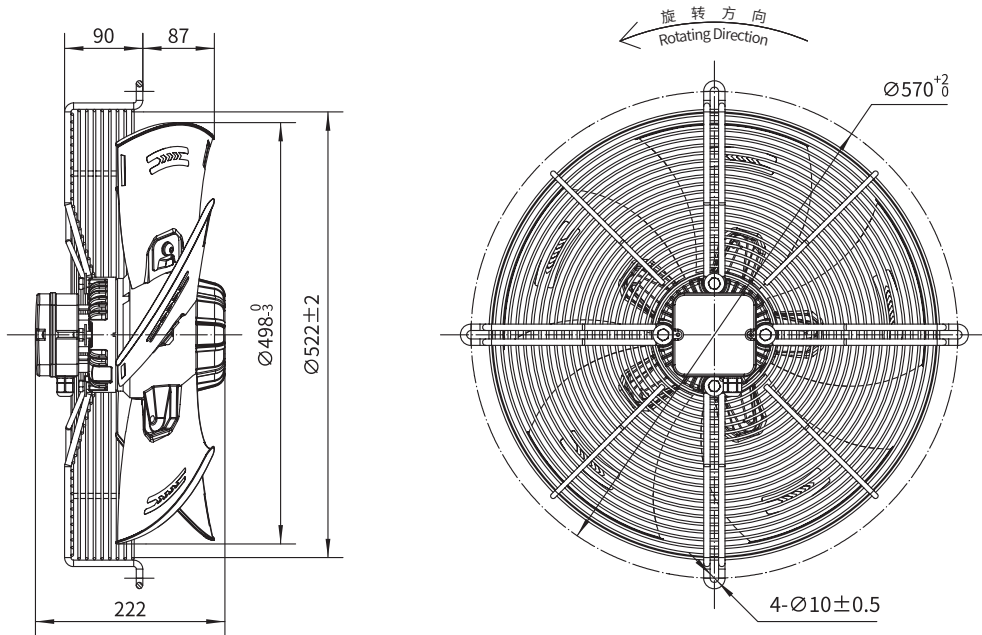
**Φ500**

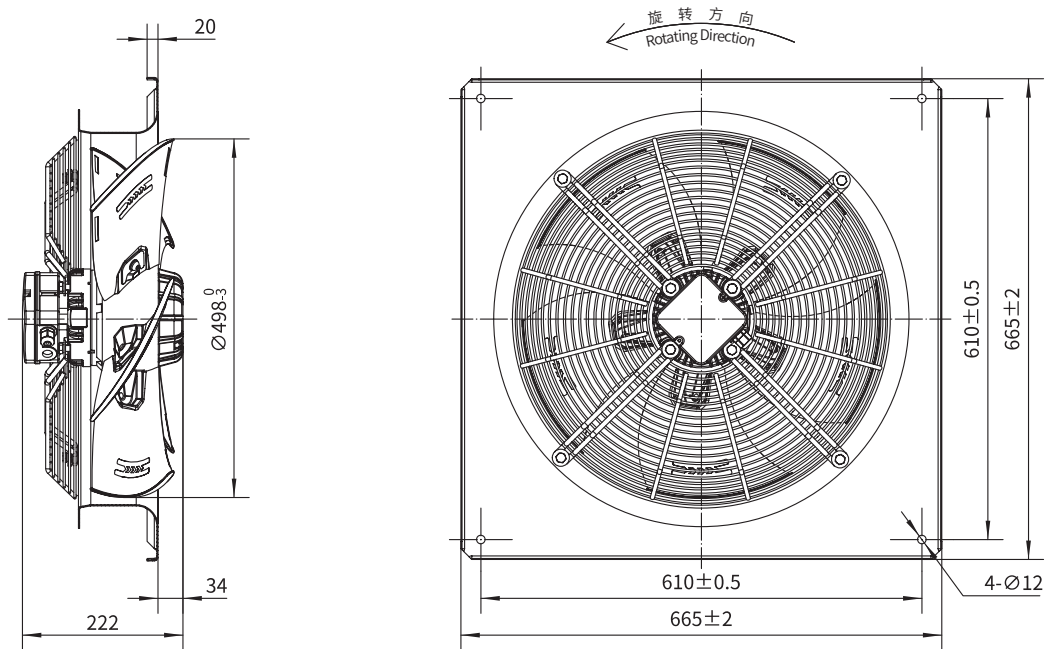
转子材质 Rotor Material: 铸铝 Aluminum Die-casting  
 叶轮材质 Impeller Material: 铸铝 Aluminum Die-casting  
 防护等级 Ingress Protection: IP54  
 绝缘等级 Insulation Class: F  
 轴承类型 Bearing Type: 免维护滚珠球轴承  
 Maintenance Free Ball Bearing

**性能曲线 Performance Curves**



Type B	Type C	Type D	Type E	Type F0
/	/	YWF.A4T-500S-5D   AZ0	/	/

**D 型网罩 Type D**

 机翼形铸铝叶片轴流风机  
 Aluminum Airfoil Blade Axial

**F1 型面板 Type F1**


Type F1

YWF.A4T-500S-5F | AZO

电压 Voltage	频率 Frequency	电流 Current	功率 Power	转速 Speed	电容 Capacitor	风量 Air Flow (0 Pa)	噪音 Noise	曲线 Curve	运行温度 Working Temp.	认证 Approvals
V	Hz	A	W	RPM	μF	[m <sup>3</sup> /h]/[CFM]	dB(A)	No.	Min/Max(°C)	
380/400	50	1.43	650	1400	/	8950/5265	72	①	-30/+60	CCC, CE



机翼形铸铝叶片轴流风机  
Aluminum Die-casting Airfoil Blade Axial Fan

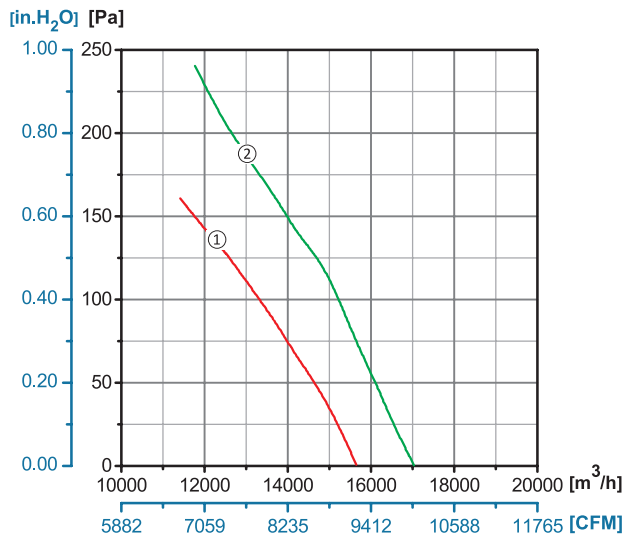
**ErP2015**  
EXCEEDS THE NORM








**Φ630**

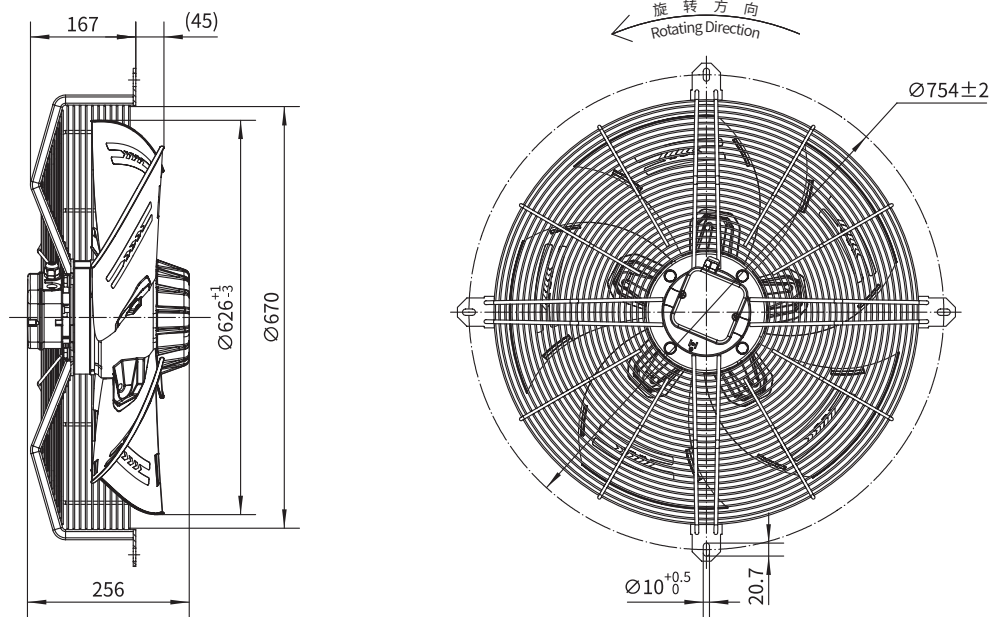
转子材质 Rotor Material: 铸铝 Aluminum Die-casting  
 叶轮材质 Impeller Material: 铸铝 Aluminum Die-casting  
 防护等级 Ingress Protection: IP54  
 绝缘等级 Insulation Class: F  
 轴承类型 Bearing Type: 免维护滚珠球轴承  
 Maintenance Free Ball Bearing

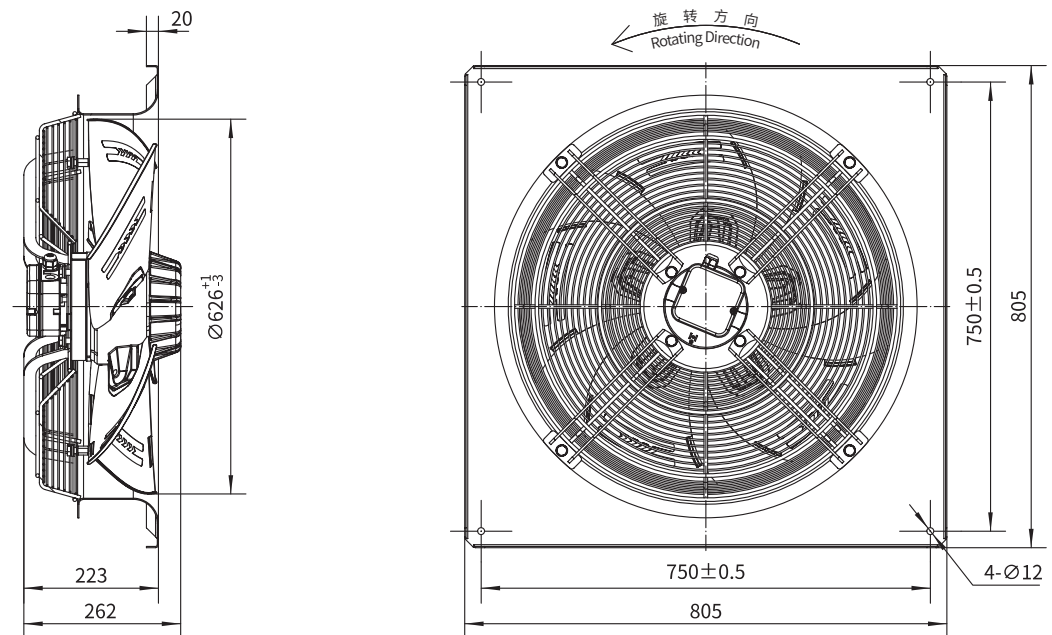
性能曲线 Performance Curves



				
Type B	Type C	Type D	Type E	Type F0
/	/	YWF.A4T-630S-5D   SZ0	/	/



**D 型网罩 Type D**

 机翼形铸铝叶片轴流风机  
 Aluminum Airfoil Blade Axial

**F1 型面板 Type F1**


Type F1

YWF.A4T-630S-5F | SZ0

电压 Voltage	频率 Frequency	电流 Current	功率 Power	转速 Speed	电容 Capacitor	风量 Air Flow (0 Pa)	噪音 Noise	曲线 Curve	运行温度 Working Temp.	认证 Approvals
V	Hz	A	W	RPM	μF	[m <sup>3</sup> /h]/[CFM]	dB(A)	No.	Min/Max(°C)	
380/400	50	3.00	1400	1450	/	17200/10120	79	②	-30/+60	CCC, CE
380/400	50	1.80	1200	1350	/	16000/9410	77	①	-30/+60	CCC, CE

 机翼形铸铝叶片轴流风机  
Aluminum Die-casting Airfoil Blade Axial Fan

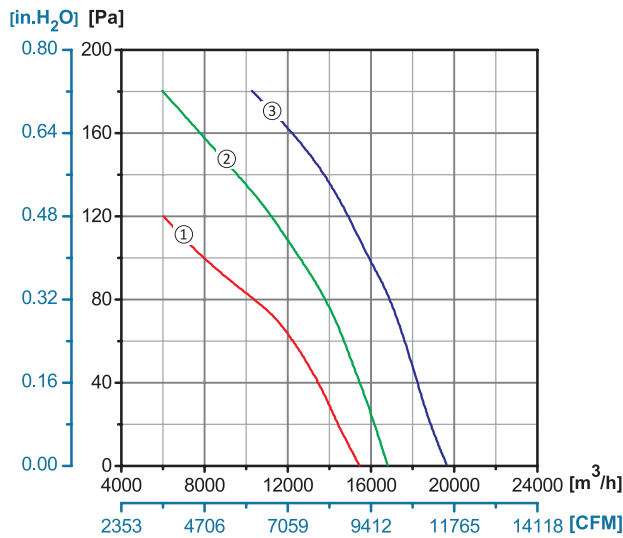
**ErP2015**  
EXCEEDS THE NORM








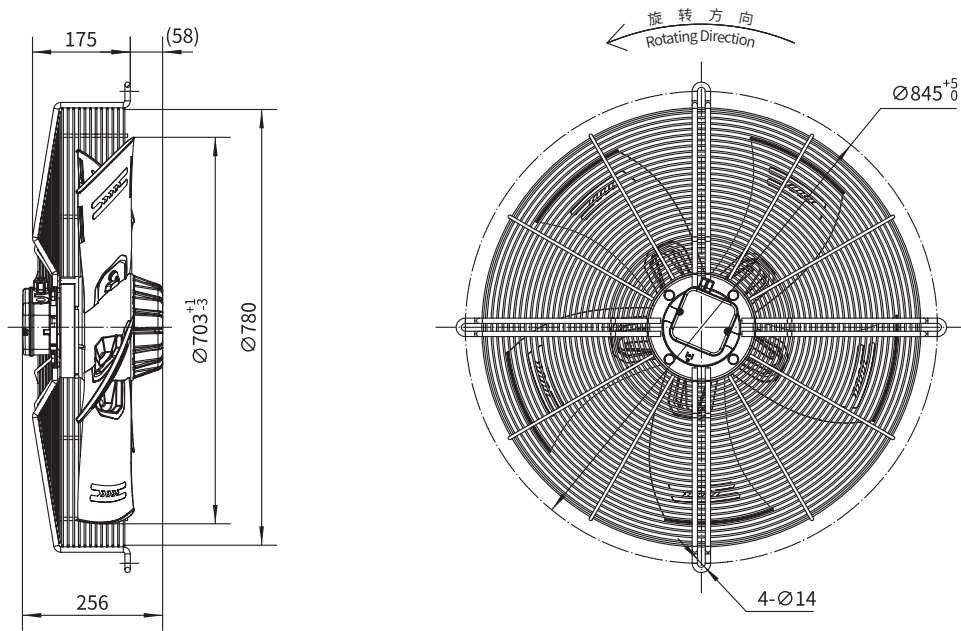
**Φ710**

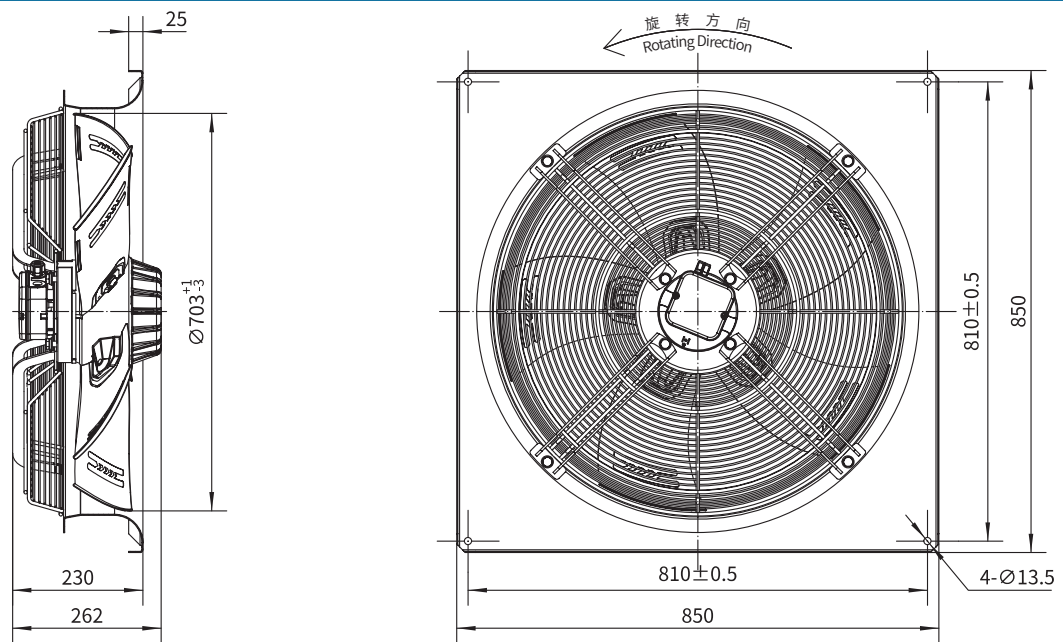
转子材质 Rotor Material: 铸铝 Aluminum Die-casting  
 叶轮材质 Impeller Material: 铸铝 Aluminum Die-casting  
 防护等级 Ingress Protection: IP54  
 绝缘等级 Insulation Class: F  
 轴承类型 Bearing Type: 免维护滚珠球轴承  
 Maintenance Free Ball Bearing

性能曲线 Performance Curves



				
Type B	Type C	Type D	Type E	Type F0
/	/	YWF.A6T-710S-5D   SZ0	/	/

**D 型网罩 Type D**

 机翼形铸铝叶片轴流风机  
 Aluminum Airfoil Blade Axial

**F1 型面板 Type F1**


Type F1

YWF.A6T-710S-5F | SZ0

电压 Voltage	频率 Frequency	电流 Current	功率 Power	转速 Speed	电容 Capacitor	风量 Air Flow (0 Pa)	噪音 Noise	曲线 Curve	运行温度 Working Temp.	认证 Approvals
V	Hz	A	W	RPM	μF	[m <sup>3</sup> /h]/[CFM]	dB(A)	No.	Min/Max(°C)	
380/400	50	2.00	850	950	/	16500/9710	75	②	-30/+60	CCC, CE
380/400	50	1.20	700	860	/	15000/8820	73	①	-30/+60	CCC, CE
380/400	60	2.30	1280	1100	/	19200/11290	77	③	-30/+60	CCC, CE

**机翼形铸铝叶片轴流风机**  
**Aluminum Die-casting Airfoil Blade Axial Fan**

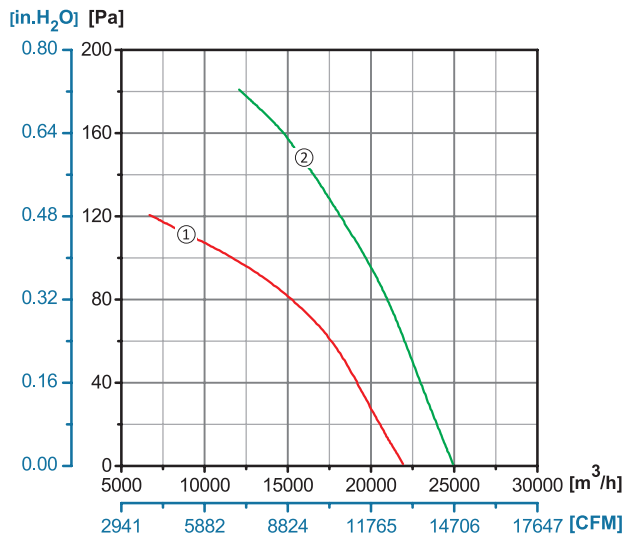
**ErP2015**  
EXCEEDS THE NORM








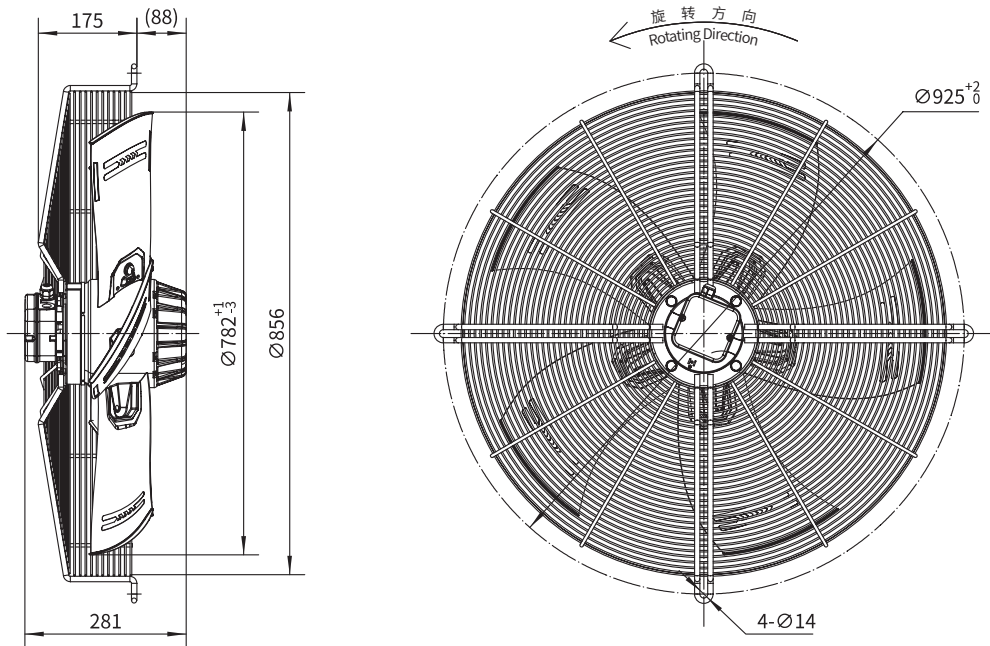
**Φ800**

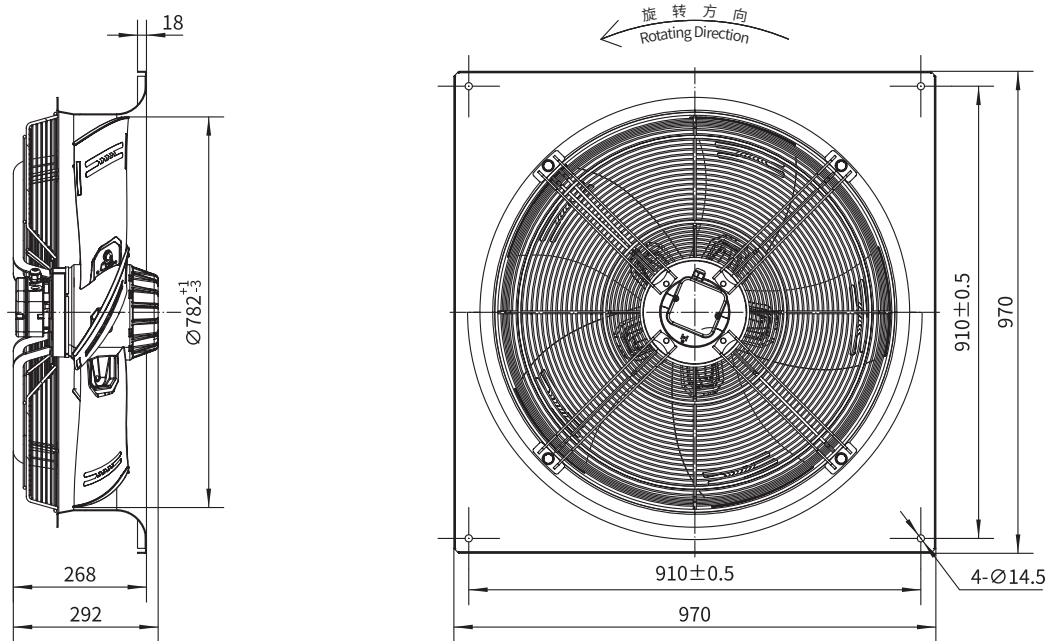
转子材质 Rotor Material: 铸铝 Aluminum Die-casting  
 叶轮材质 Impeller Material: 铸铝 Aluminum Die-casting  
 防护等级 Ingress Protection: IP54  
 绝缘等级 Insulation Class: F  
 轴承类型 Bearing Type: 免维护滚珠球轴承  
 Maintenance Free Ball Bearing

**性能曲线 Performance Curves**



				
Type B	Type C	Type D	Type E	Type F0
/	/	YWF.A6T-800S-5D   SZ0	/	/

**D 型网罩 Type D**

 机翼形铸铝叶片轴流风机  
 Aluminum Airfoil Blade Axial

**F1 型面板 Type F1**


Type F1

YWF.A6T-800S-5F | SZ0

电压 Voltage	频率 Frequency	电流 Current	功率 Power	转速 Speed	电容 Capacitor	风量 Air Flow (0 Pa)	噪音 Noise	曲线 Curve	运行温度 Working Temp.	认证 Approvals
V	Hz	A	W	RPM	$\mu$ F	[m <sup>3</sup> /h]/[CFM]	dB(A)	No.	Min/Max(°C)	
380/400	50	3.50	1700	920	/	24920/14660	77	②	-30/+60	CCC, CE
380/400	50	2.20	1250	770	/	21910/12890	73	①	-30/+60	CCC, CE



常规金属叶片轴流风机

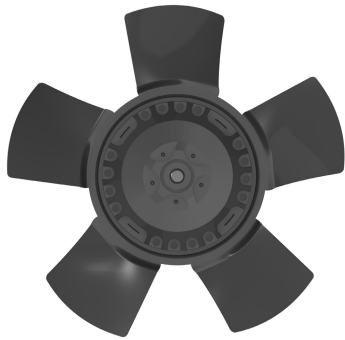
Conventional Carbon Steel Blade Axial Fan





**常规金属叶片轴流风机**  
Conventional Carbon Steel Blade Axial Fan

**ErP2015**  
EXCEEDS THE NORM



**Φ200**

转子材质 Rotor Material: 铸铝 Aluminum Die-casting

叶轮材质 Impeller Material: 碳钢 Carbon Steel

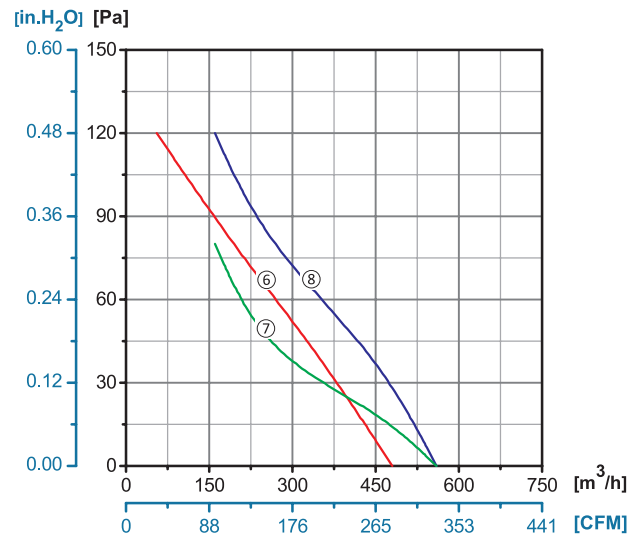
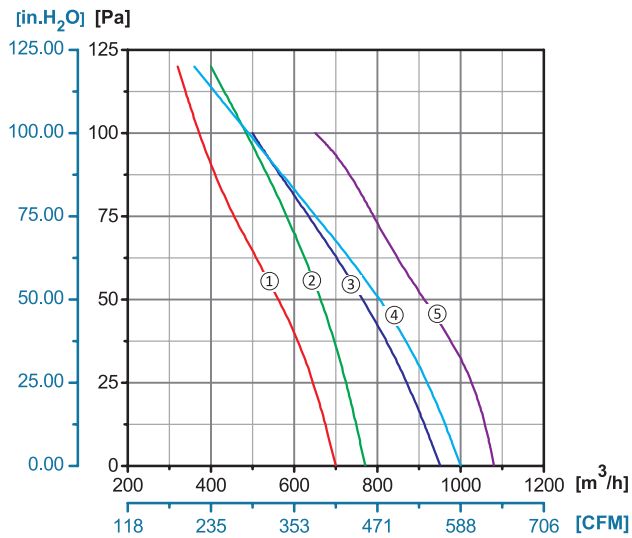
防护等级 Ingress Protection: IP44






绝缘等级 Insulation Class: F

轴承类型 Bearing Type: 免维护滚珠球轴承

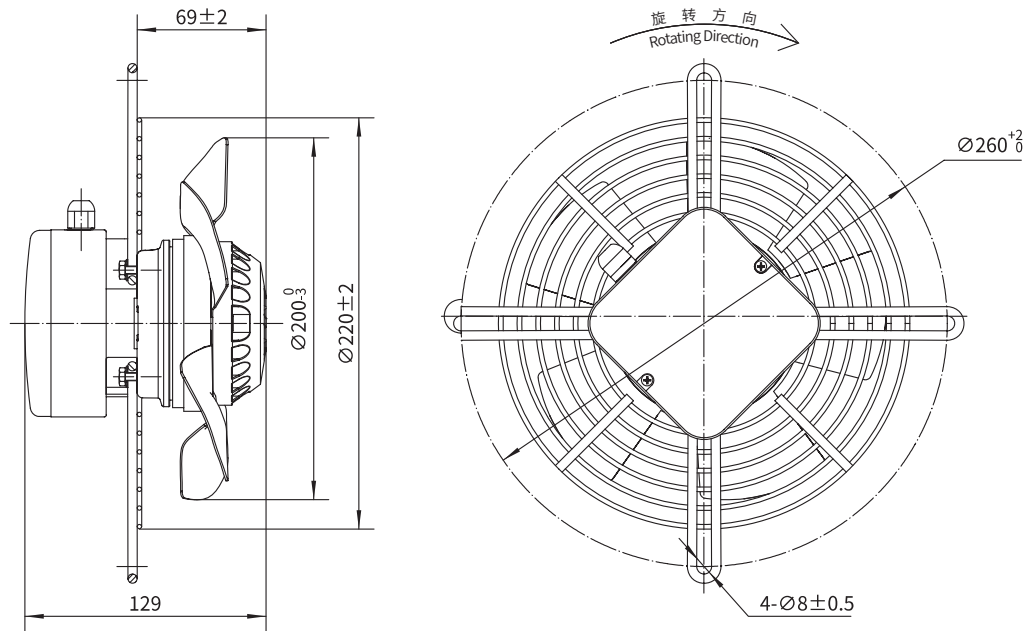
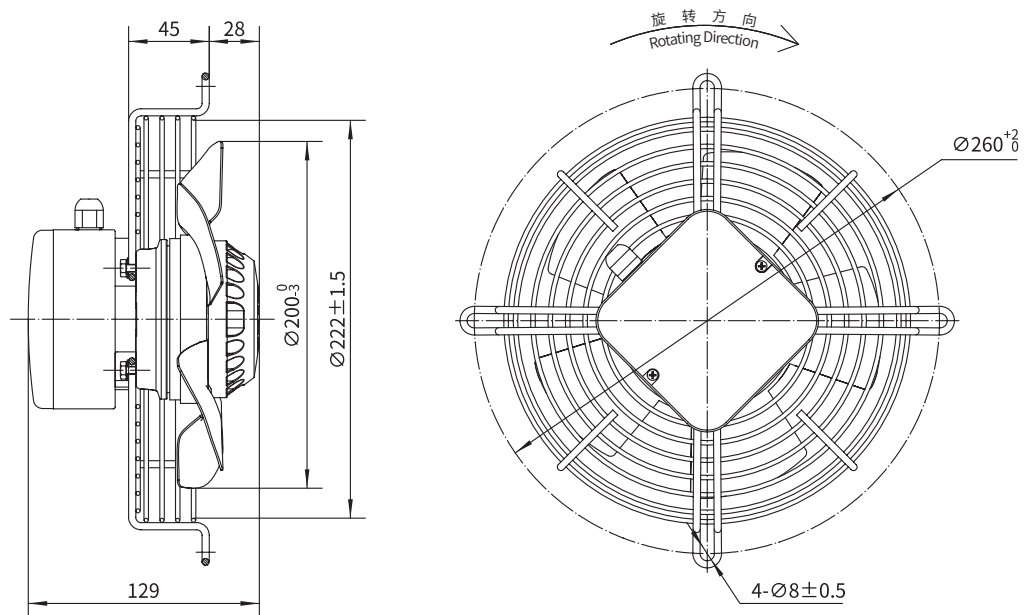
Maintenance Free Ball Bearing

**性能曲线 Performance Curves**



 Type B	 Type C	 Type D	 Type E	 Type F0
YWF.A2S-200S-5B   A00	YWF.A2S-200S-5C   A00	YWF.A2S-200S-5D   A00	YWF.A2S-200S-5E   A00	YWF.A2S-200S-5F   A00
YWF.A4S-200S-5B   A00	YWF.A4S-200S-5C   A00	YWF.A4S-200S-5D   A00	YWF.A4S-200S-5E   A00	YWF.A4S-200S-5F   A00
YWF.A2S-200S-5B   A05	YWF.A2S-200S-5C   A05	YWF.A2S-200S-5D   A05	YWF.A2S-200S-5E   A05	YWF.A2S-200S-5F   A05
YWF.A4S-200S-5B   A05	YWF.A4S-200S-5C   A05	YWF.A4S-200S-5D   A05	YWF.A4S-200S-5E   A05	YWF.A4S-200S-5F   A05
YWF.A2S-200S-7B   A00	YWF.A2S-200S-7C   A00	YWF.A2S-200S-7D   A10	YWF.A2S-200S-7E   A00	YWF.A2S-200S-7F   A00



**B 型网罩 Type B**

**C 型网罩 Type C**


Type F1

电压 Voltage	频率 Frequency	电流 Current	功率 Power	转速 Speed	电容 Capacitor	风量 Air Flow (0 Pa)	噪音 Noise	曲线 Curve	运行温度 Working Temp.	认证 Approvals	
V	Hz	A	W	RPM	μF	[m <sup>3</sup> /h]/[CFM]	dB(A)	No.	Min/Max(°C)		
/	220/230	50	0.20	45	2650	2	700/411	54	①	-30/+60	CCC, CE
	220/230	60	0.26	56	2950	2	770/452	56	②	-30/+60	CCC, CE
/	220/230	50	0.12	27	1500	1	480/282	41	⑥	-30/+60	CCC, CE
	220/230	60	0.13	30	1680	1	560/329	45	⑧	-30/+60	CCC, CE
/	110/120	60	0.45	55	2800	6	770/452	56	②	-30/+60	UL
/	110/120	60	0.18	20	1600	2	560/329	45	⑦	-30/+60	UL
/	220/230	50	0.30	72	2700	2	950/559	60	③	-30/+60	CCC, CE
	220/230	60	0.35	80	3050	2	1080/635	64	⑤	-30/+60	CCC, CE

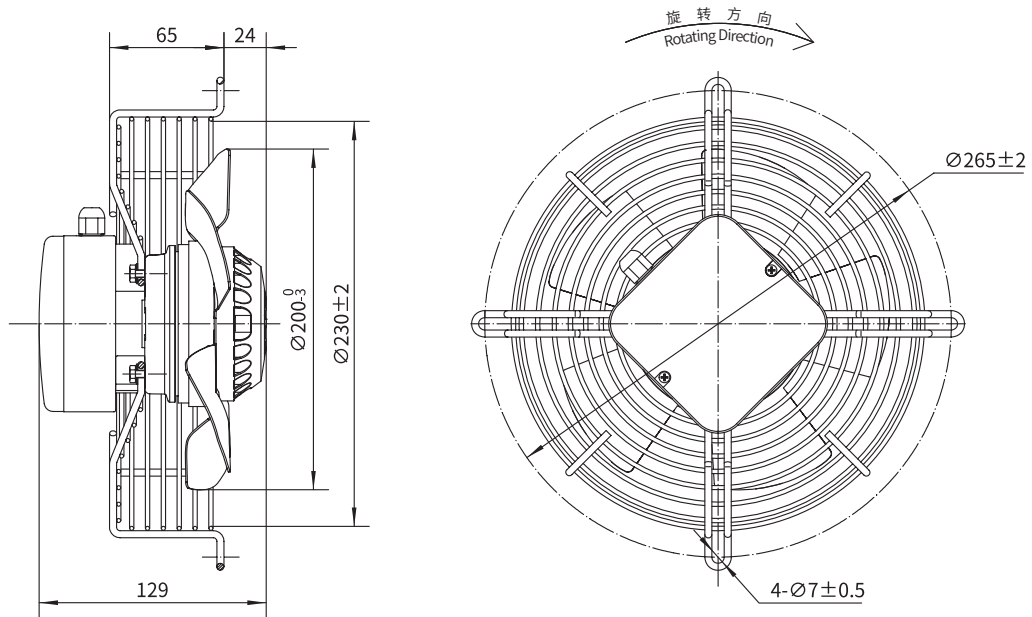




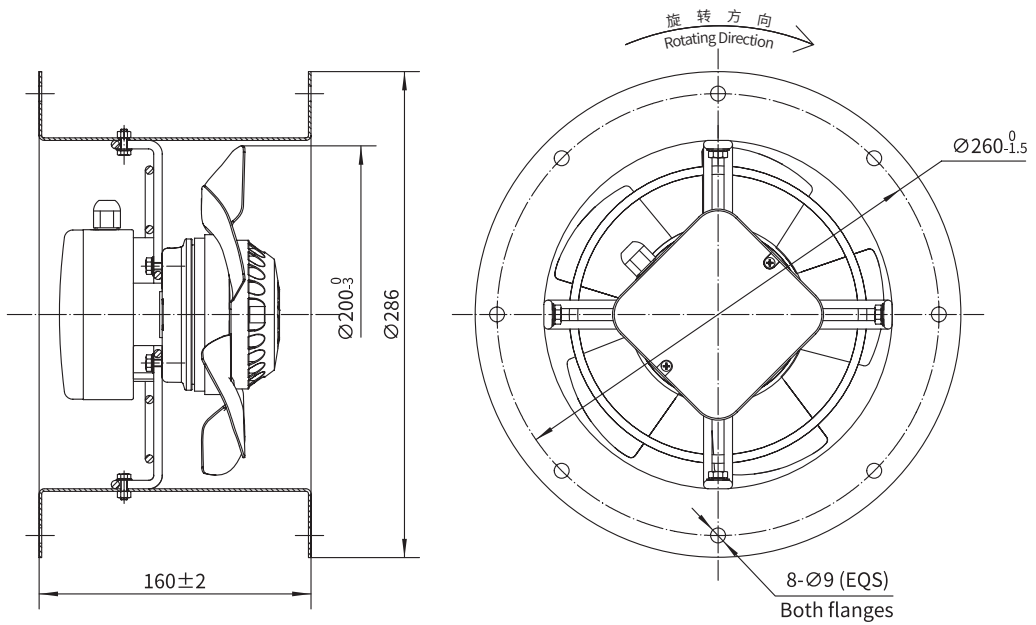
常规金属叶片轴流风机  
Conventional Carbon Steel Blade Axial Fan

Φ200

D 型网罩 Type D



E 型导风筒 Type E

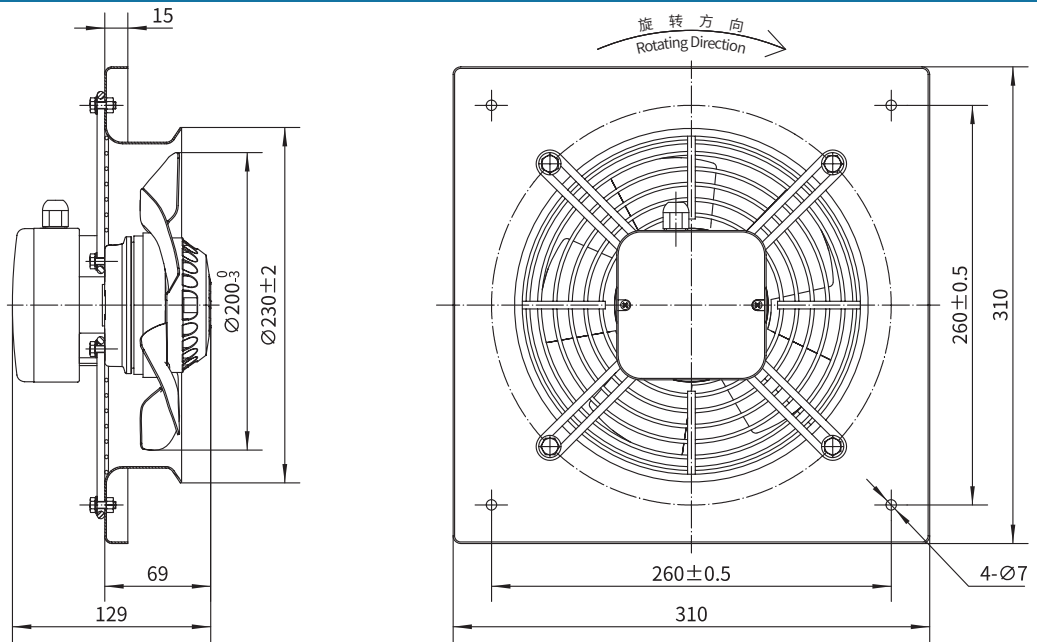




**常规金属叶片轴流风机**  
**Conventional Carbon Steel Blade Axial Fan**

**Φ200**

**F0 型面板 Type F0**

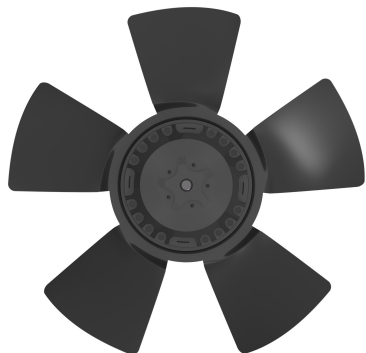


常规金属叶片轴流风机  
Conv. Steel Blade Axial



**常规金属叶片轴流风机**  
**Conventional Carbon Steel Blade Axial Fan**

**ErP2015**  
EXCEEDS THE NORM



**Φ250**

转子材质 Rotor Material: 铸铝 Aluminum Die-casting

叶轮材质 Impeller Material: 碳钢 Carbon Steel

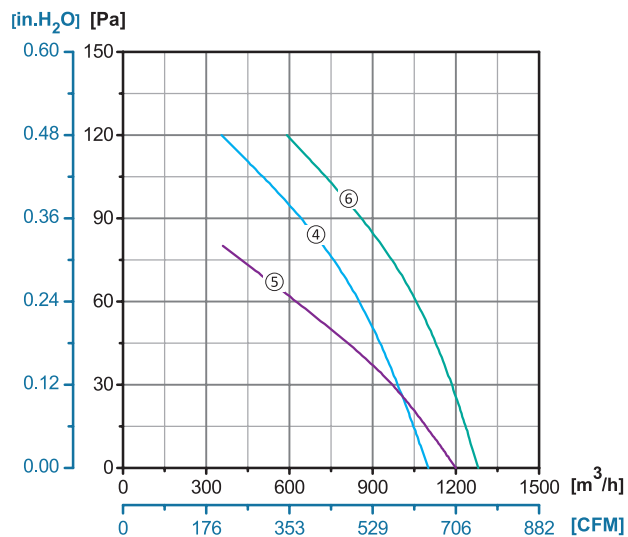
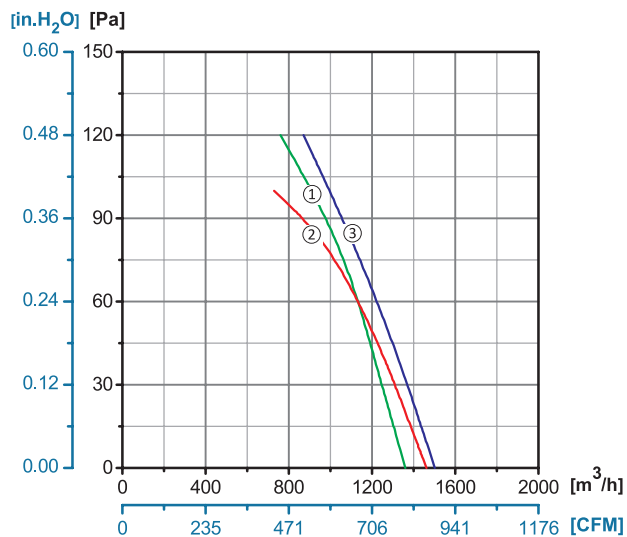
防护等级 Ingress Protection: IP44






绝缘等级 Insulation Class: F

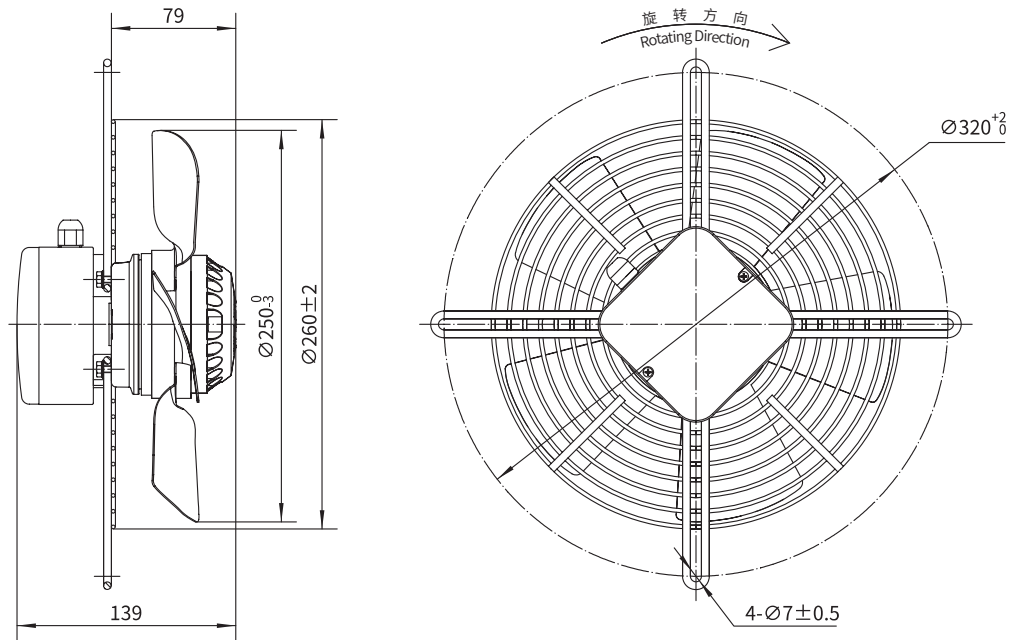
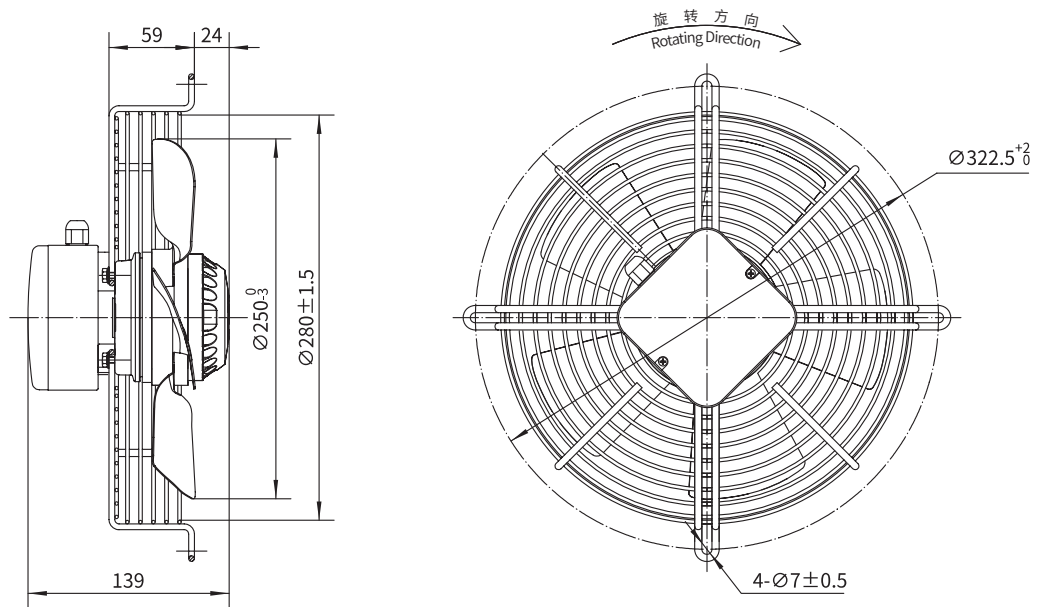
轴承类型 Bearing Type: 免维护滚珠球轴承

Maintenance Free Ball Bearing

**性能曲线 Performance Curves**



 Type B	 Type C	 Type D	 Type E	 Type F0
YWF.A2S-250S-5B   A00	YWF.A2S-250S-5C   A00	YWF.A2S-250S-5D   A00	YWF.A2S-250S-5E   A00	YWF.A2S-250S-5F   A00
YWF.A4S-250S-5B   A00	YWF.A4S-250S-5C   A00	YWF.A4S-250S-5D   A00	YWF.A4S-250S-5E   A00	YWF.A4S-250S-5F   A00
YWF.A4T-250S-5B   A00	YWF.A4T-250S-5C   A00	YWF.A4T-250S-5D   A00	YWF.A4T-250S-5E   A00	YWF.A4T-250S-5F   A00
YWF.A2S-250S-5B   A05	YWF.A2S-250S-5C   A05	YWF.A2S-250S-5D   A05	YWF.A2S-250S-5E   A05	YWF.A2S-250S-5F   A05
YWF.A4S-250S-5B   A05	YWF.A4S-250S-5C   A05	YWF.A4S-250S-5D   A05	YWF.A4S-250S-5E   A05	YWF.A4S-250S-5F   A05

**B 型网罩 Type B**

**C 型网罩 Type C**


Type F1

电压 Voltage	频率 Frequency	电流 Current	功率 Power	转速 Speed	电容 Capacitor	风量 Air Flow (0 Pa)	噪音 Noise	曲线 Curve	运行温度 Working Temp.	认证 Approvals	
V	Hz	A	W	RPM	μF	[m <sup>3</sup> /h]/[CFM]	dB(A)	No.	Min/Max(°C)		
/	220/230	50	0.43	95	2600	3	1360/800	60	①	-30/+60	CCC, CE
/	220/230	60	0.59	130	2750	3	1500/882	62	③	-30/+60	CCC, CE, UL
/	220/230	50	0.25	55	1400	2	1100/647	49	④	-30/+60	CCC, CE
/	220/230	60	0.29	65	1620	2	1280/752	53	⑥	-30/+60	CCC, CE, UL
/	380/400	50	0.16	60	1400	/	1100/647	49	④	-30/+60	CCC, CE
/	380/400	60	0.15	60	1600	/	1280/752	53	⑥	-30/+60	CCC, CE, UL
/	110/120	60	1.00	120	2650	10	1500/882	62	②	-30/+60	UL
/	110/120	60	0.48	55	1600	5	1200/705	54	⑤	-30/+60	/

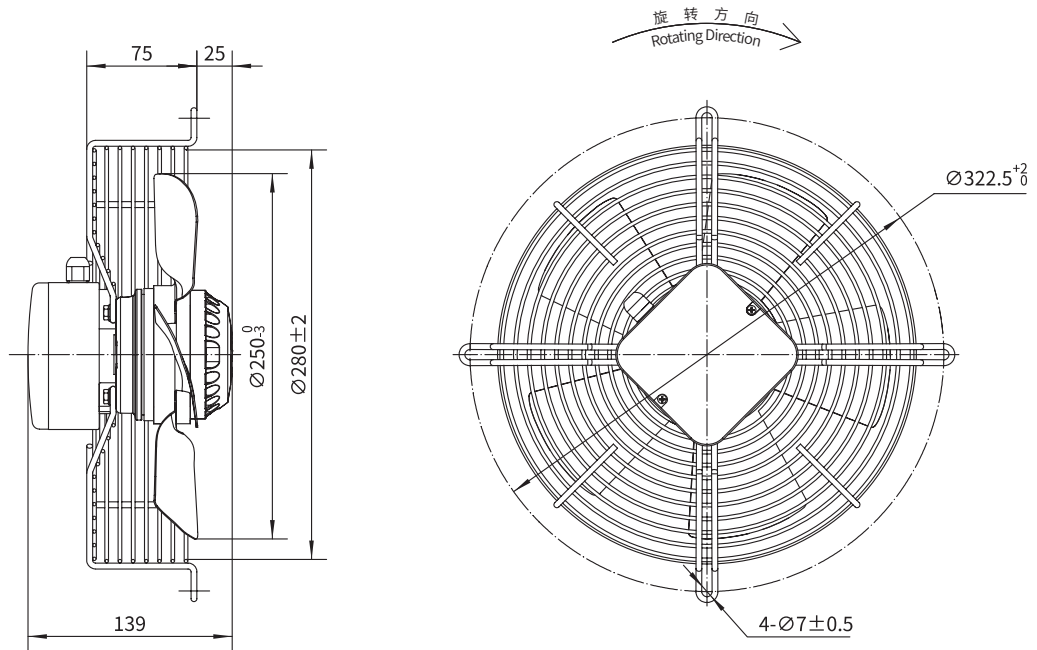




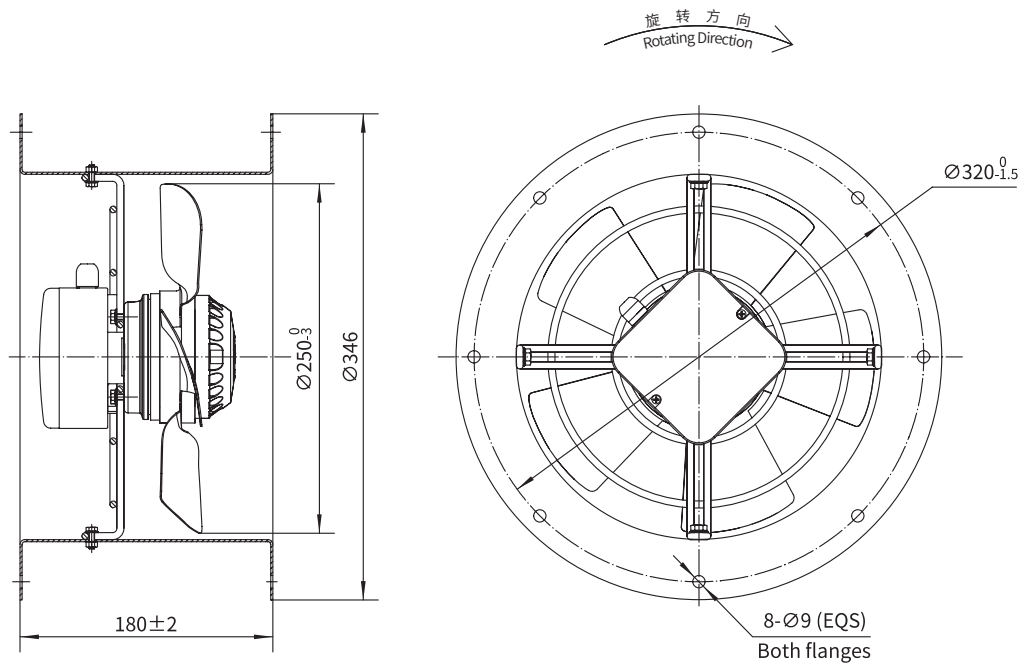
常规金属叶片轴流风机  
Conventional Carbon Steel Blade Axial Fan

Φ250

D 型网罩 Type D



E 型导风筒 Type E

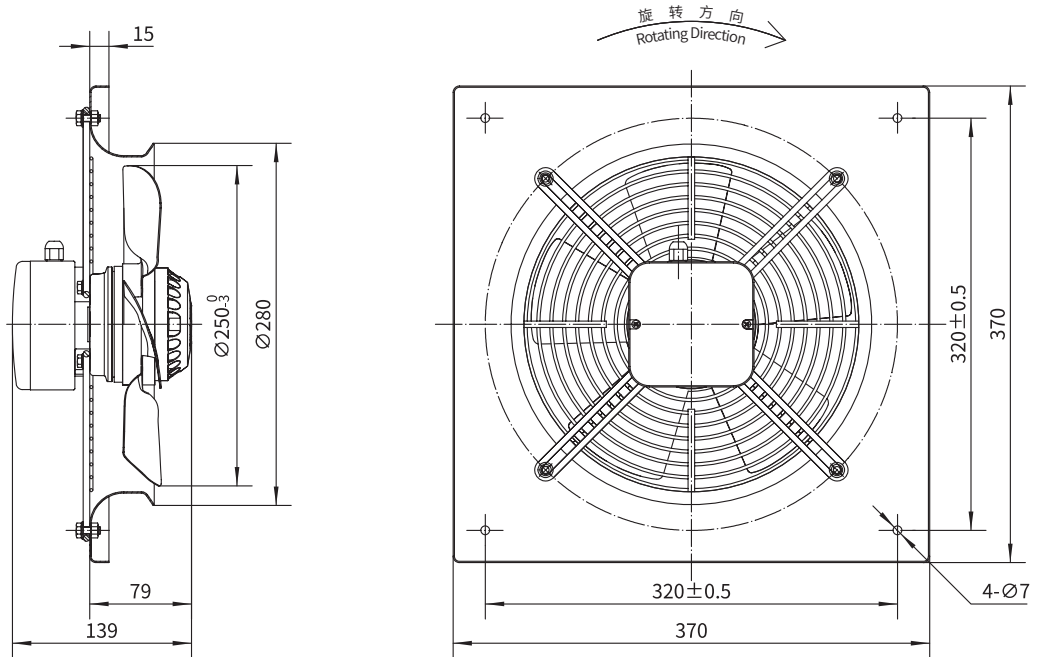




常规金属叶片轴流风机  
Conventional Carbon Steel Blade Axial Fan

Φ250

F0 型面板 Type F0

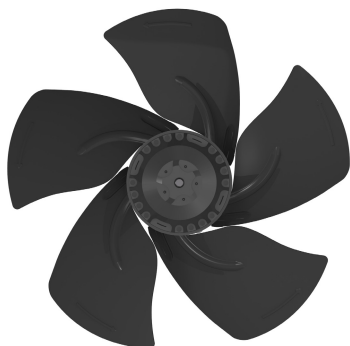


常规金属叶片轴流风机  
Conv. Steel Blade Axial



常规金属叶片轴流风机  
Conventional Carbon Steel Blade Axial Fan

**ErP2015**  
EXCEEDS THE NORM



**Φ300**

转子材质 Rotor Material: 铸铝 Aluminum Die-casting

叶轮材质 Impeller Material: 碳钢 Carbon Steel

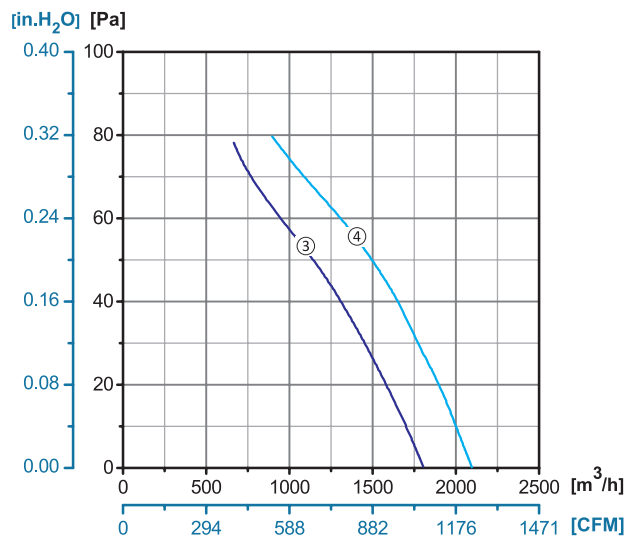
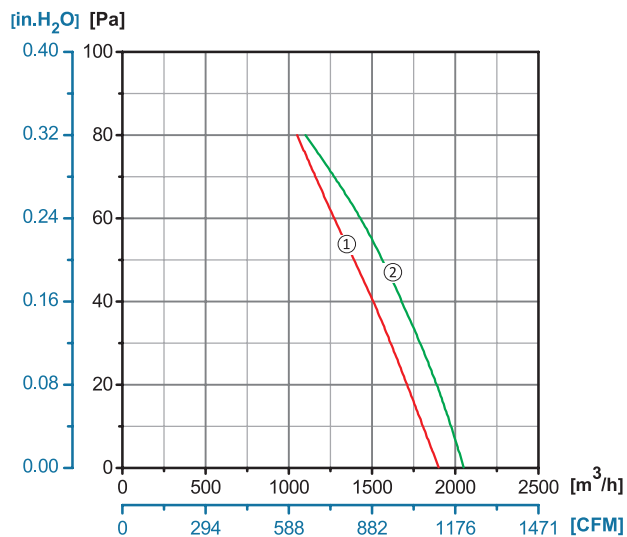
防护等级 Ingress Protection: IP44






绝缘等级 Insulation Class: F

轴承类型 Bearing Type: 免维护滚珠球轴承

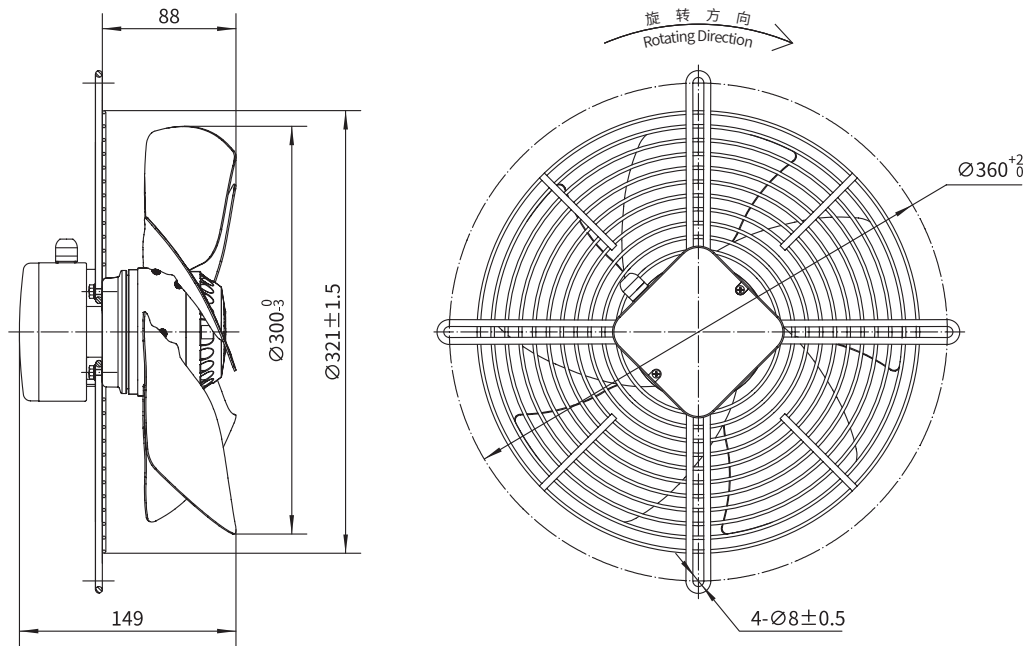
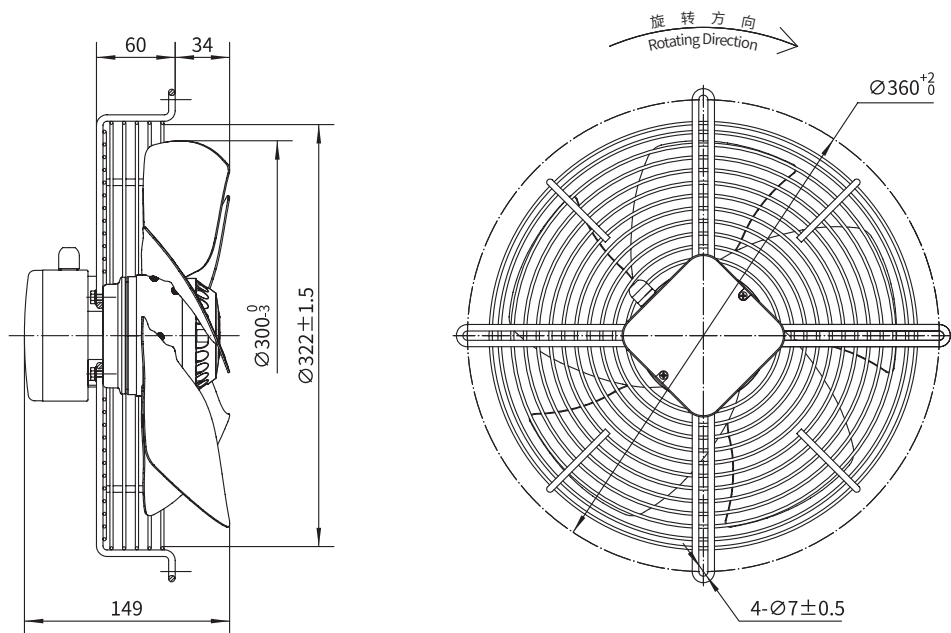
Maintenance Free Ball Bearing

性能曲线 Performance Curves



				
Type B	Type C	Type D	Type E	Type F0
YWF.A2S-300S-5B   A00	YWF.A2S-300S-5C   A00	YWF.A2S-300S-5D   A00	YWF.A2S-300S-5E   A00	YWF.A2S-300S-5F   A00
YWF.A4S-300S-5B   A00	YWF.A4S-300S-5C   A00	YWF.A4S-300S-5D   A00	YWF.A4S-300S-5E   A00	YWF.A4S-300S-5F   A00
YWF.A4T-300S-5B   A00	YWF.A4T-300S-5C   A00	YWF.A4T-300S-5D   A00	YWF.A4T-300S-5E   A00	YWF.A4T-300S-5F   A00
YWF.A2S-300S-5B   A05	YWF.A2S-300S-5C   A05	YWF.A2S-300S-5D   A05	YWF.A2S-300S-5E   A05	YWF.A2S-300S-5F   A05
YWF.A4S-300S-5B   A05	YWF.A4S-300S-5C   A05	YWF.A4S-300S-5D   A05	YWF.A4S-300S-5E   A05	YWF.A4S-300S-5F   A05



**B 型网罩 Type B**

**C 型网罩 Type C**


Type F1

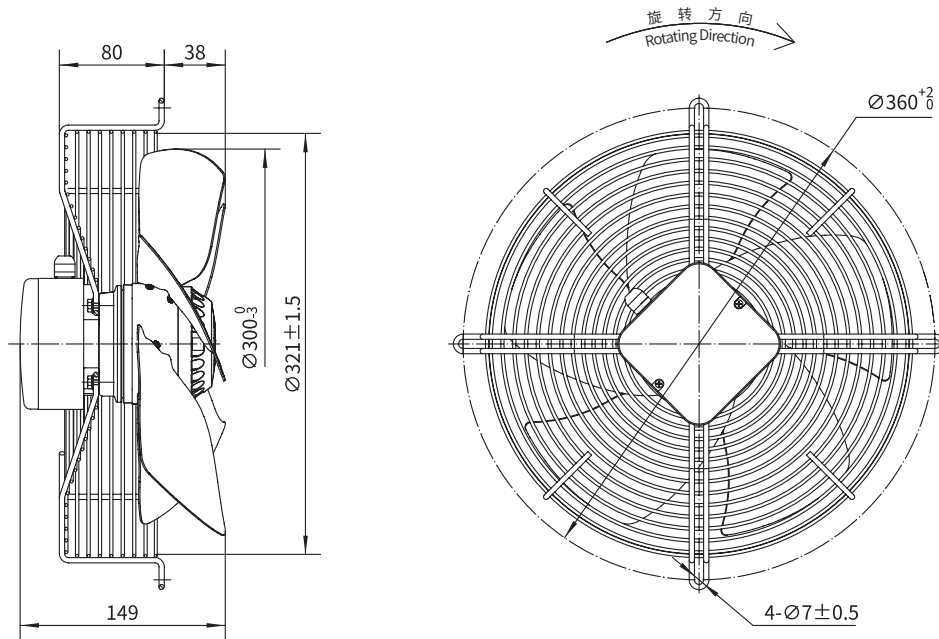
电压 Voltage	频率 Frequency	电流 Current	功率 Power	转速 Speed	电容 Capacitor	风量 Air Flow (0 Pa)	噪音 Noise	曲线 Curve	运行温度 Working Temp.	认证 Approvals	
V	Hz	A	W	RPM	μF	[m <sup>3</sup> /h]/[CFM]	dB(A)	No.	Min/Max(°C)		
/	220/230	50	0.50	110	2500	4	1900/1117	61	①	-30/+60	CCC, CE
/	220/230	60	0.70	156	2600	4	2050/1205	62	②	-30/+60	CCC, CE
/	220/230	50	0.42	90	1350	3	1800/1058	52	③	-30/+60	CCC, CE
/	220/230	60	0.48	110	1600	3	2100/1235	55	④	-30/+60	CCC, CE
/	380/400	50	0.25	90	1400	/	1850/1088	53	③	-30/+60	CCC, CE
/	380/400	60	0.23	110	1620	/	2100/1235	56	④	-30/+60	CCC, CE
/	110/120	60	1.35	155	2700	14	2100/1235	68	②	-30/+60	UL
/	110/120	60	0.78	90	1600	10	2100/1235	55	④	-30/+60	UL



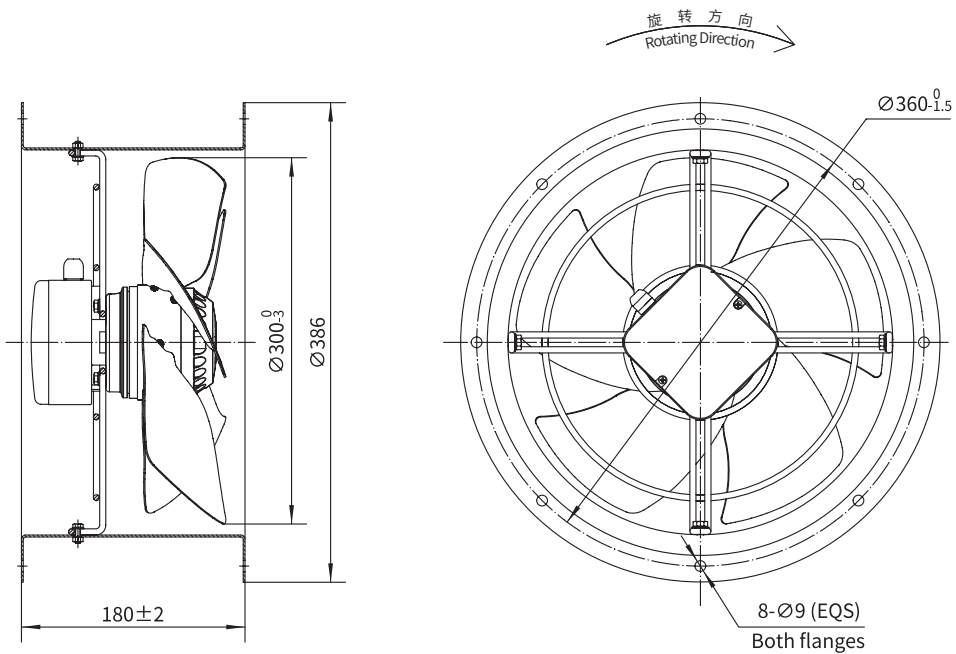
常规金属叶片轴流风机  
Conventional Carbon Steel Blade Axial Fan

Φ300

D 型网罩 Type D



E 型导风筒 Type E

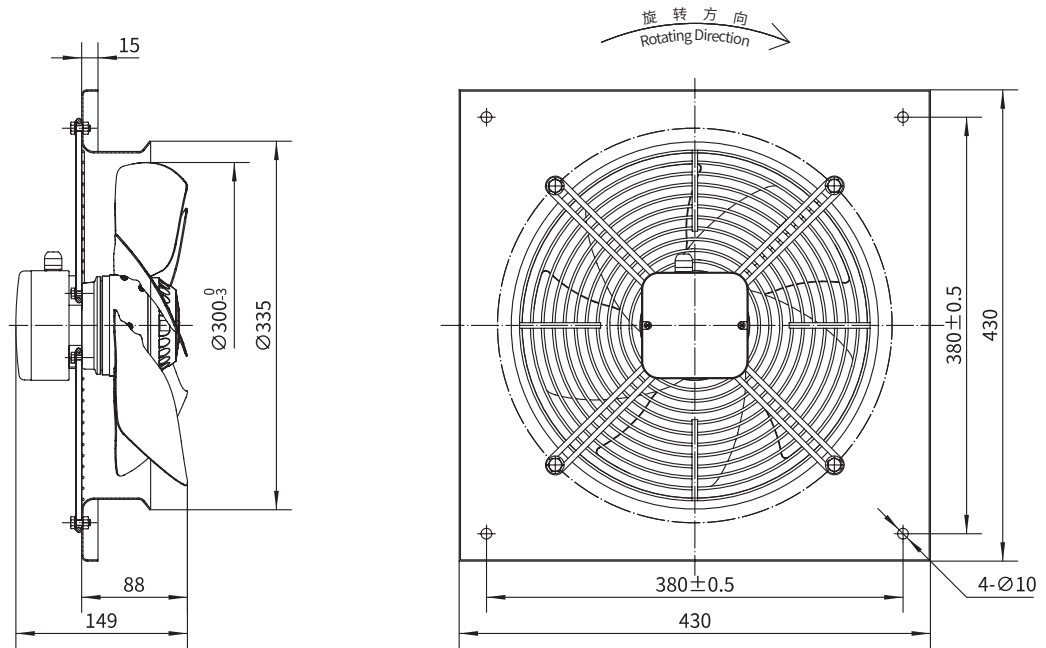




常规金属叶片轴流风机  
Conventional Carbon Steel Blade Axial Fan

Φ300

F0 型面板 Type F0

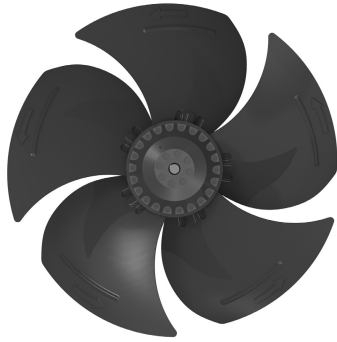


常规金属叶片轴流风机  
Conv. Steel Blade Axial



常规金属叶片轴流风机  
Conventional Carbon Steel Blade Axial Fan

**ErP2015**  
EXCEEDS THE NORM



**Φ350**

转子材质 Rotor Material: 铸铝 Aluminum Die-casting

叶轮材质 Impeller Material: 碳钢 Carbon Steel

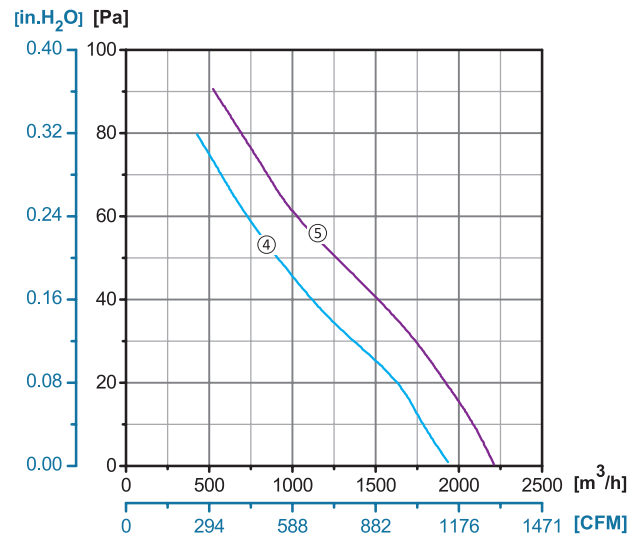
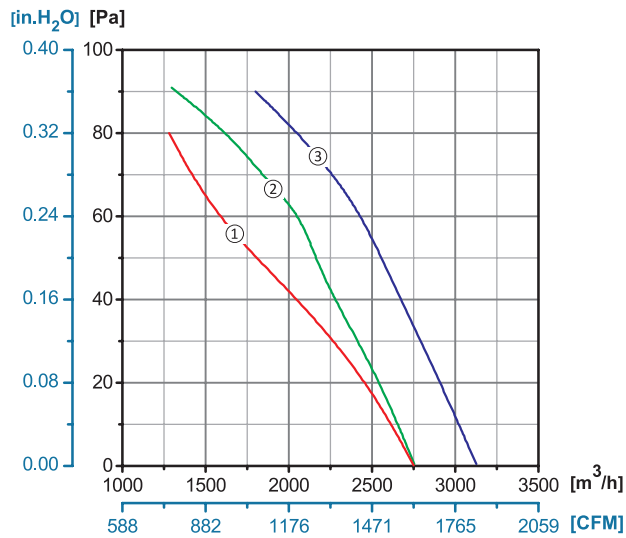
防护等级 Ingress Protection: IP54






绝缘等级 Insulation Class: F

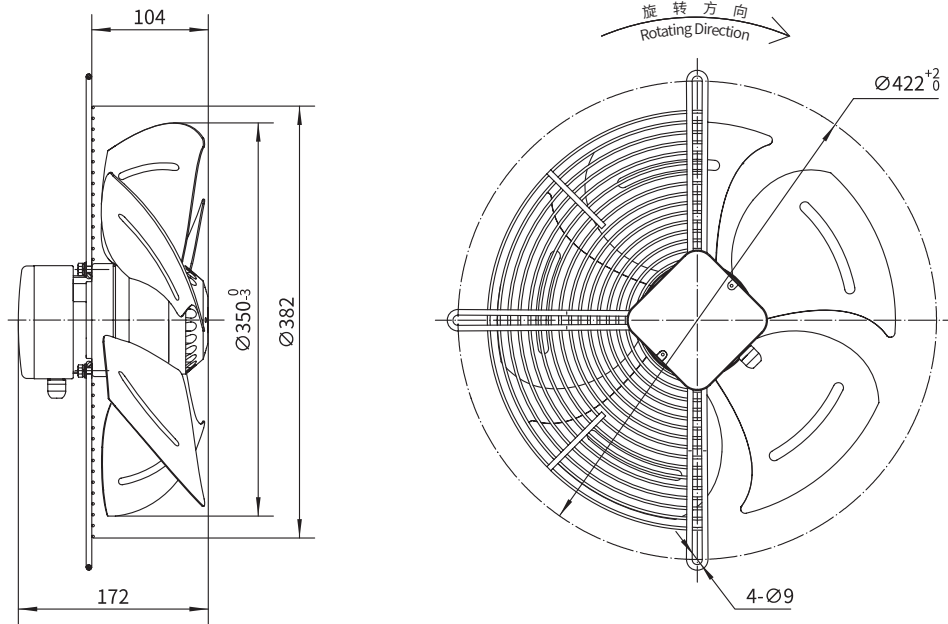
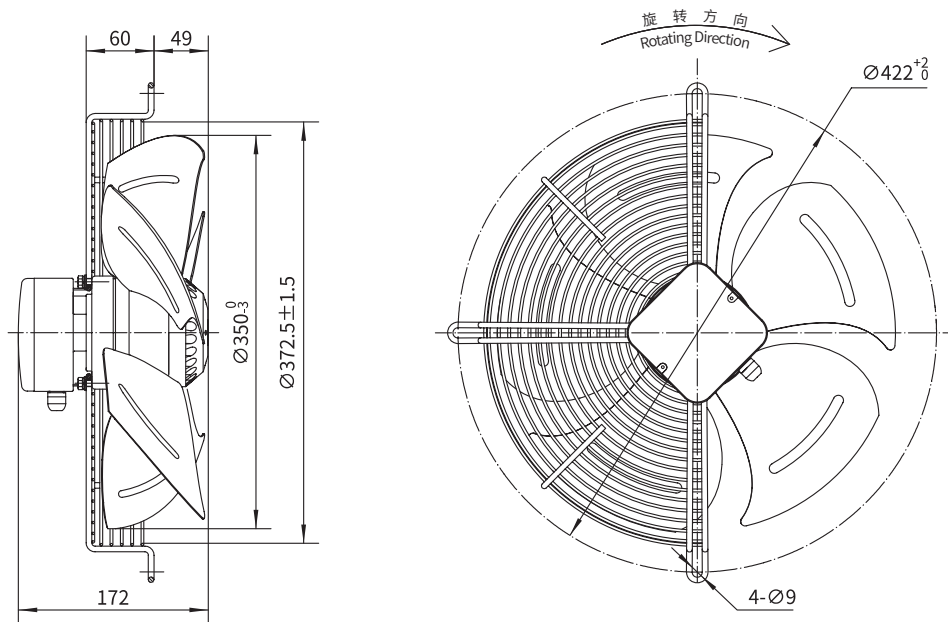
轴承类型 Bearing Type: 免维护滚珠球轴承

Maintenance Free Ball Bearing

性能曲线 Performance Curves



				
Type B	Type C	Type D	Type E	Type F0
YWF.A4S-350S-5B   A00	YWF.A4S-350S-5C   A00	YWF.A4S-350S-5D   A00	YWF.A4S-350S-5E   A00	YWF.A4S-350S-5F   A00
YWF.A4T-350S-5B   A00	YWF.A4T-350S-5C   A00	YWF.A4T-350S-5D   A00	YWF.A4T-350S-5E   A00	YWF.A4T-350S-5F   A00
YWF.A6S-350S-5B   A00	YWF.A6S-350S-5C   A00	YWF.A6S-350S-5D   A00	YWF.A6S-350S-5E   A00	YWF.A6S-350S-5F   A00
YWF.A6T-350S-5B   A00	YWF.A6T-350S-5C   A00	YWF.A6T-350S-5D   A00	YWF.A6T-350S-5E   A00	YWF.A6T-350S-5F   A00
YWF.A4S-350S-5B   A05	YWF.A4S-350S-5C   A05	YWF.A4S-350S-5D   A05	YWF.A4S-350S-5E   A05	YWF.A4S-350S-5F   A05

**B 型网罩 Type B**

**C 型网罩 Type C**


Type F1

电压 Voltage	频率 Frequency	电流 Current	功率 Power	转速 Speed	电容 Capacitor	风量 Air Flow (0 Pa)	噪音 Noise	曲线 Curve	运行温度 Working Temp.	认证 Approvals	
V	Hz	A	W	RPM	μF	[m <sup>3</sup> /h]/[CFM]	dB(A)	No.	Min/Max(°C)		
/	220/230	50	0.60	135	1380	4	2750/1617	58	②	-30/+60	CCC, CE
/	220/230	60	0.83	190	1550	4	3100/1823	60	③	-30/+60	CCC, CE, UL
/	380/400	50	0.30	135	1360	/	2750/1617	58	②	-30/+60	CCC, CE
/	380/400	60	0.34	170	1500	/	3050/1794	60	③	-30/+60	CCC, CE, UL
/	220/230	50	0.40	80	950	3	1950/1147	53	④	-30/+60	CCC, CE
/	220/230	60	0.37	83	1100	3	2150/1264	54	⑤	-30/+60	CCC, CE, UL
/	380/400	50	0.29	70	920	/	1950/1147	53	④	-30/+60	CCC, CE
/	380/400	60	0.20	80	1070	/	2150/1264	54	⑤	-30/+60	CCC, CE, UL
/	110/120	60	1.60	175	1500	12	2750/1618	60	①	-30/+60	UL

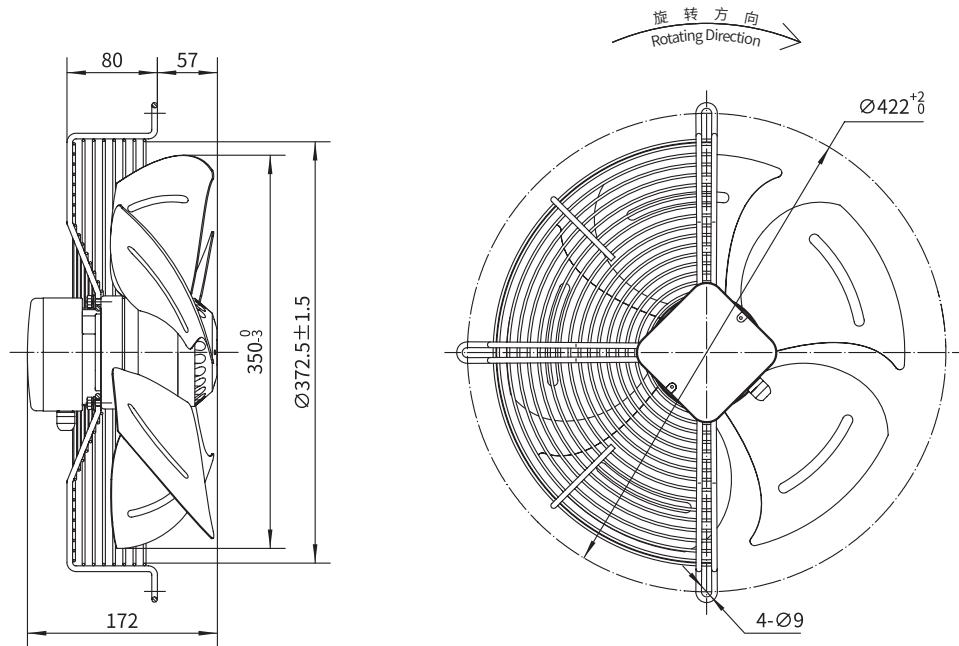




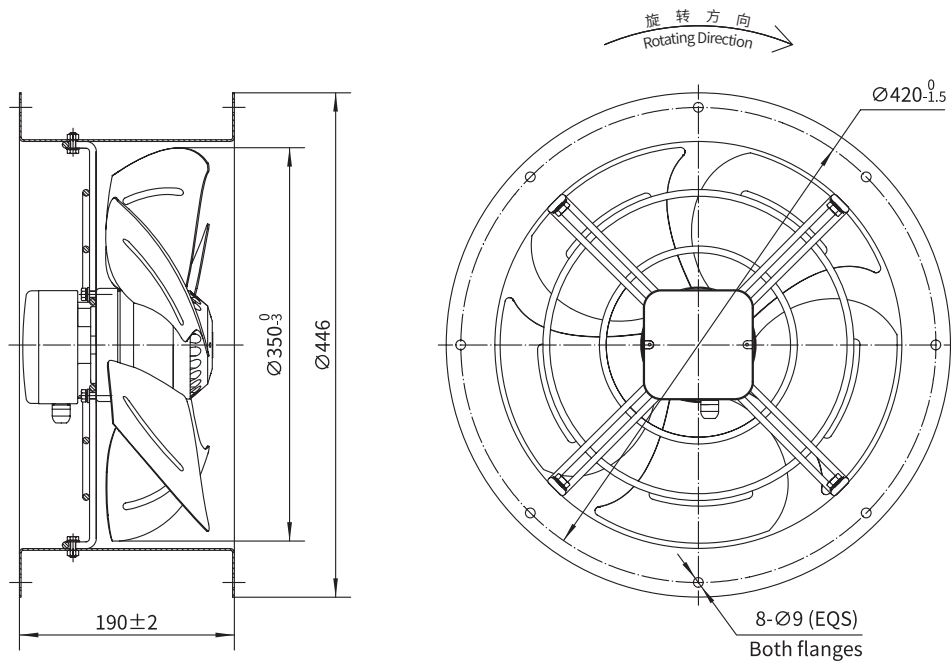
常规金属叶片轴流风机  
Conventional Carbon Steel Blade Axial Fan

Φ350

D 型网罩 Type D



E 型导风筒 Type E

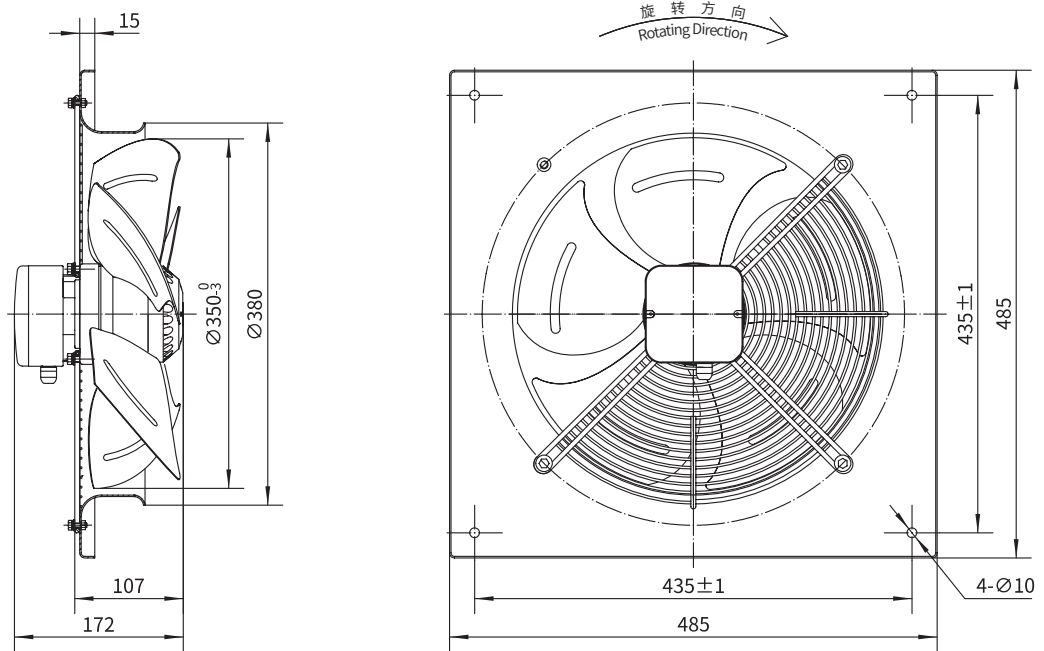




常规金属叶片轴流风机  
Conventional Carbon Steel Blade Axial Fan

Φ350

F0 型面板 Type F0



常规金属叶片轴流风机  
Conv. Steel Blade Axial



**常规金属叶片轴流风机**  
**Conventional Carbon Steel Blade Axial Fan**

**ErP2015**  
EXCEEDS THE NORM



**Φ400**

转子材质 Rotor Material: 铸铝 Aluminum Die-casting

叶轮材质 Impeller Material: 碳钢 Carbon Steel

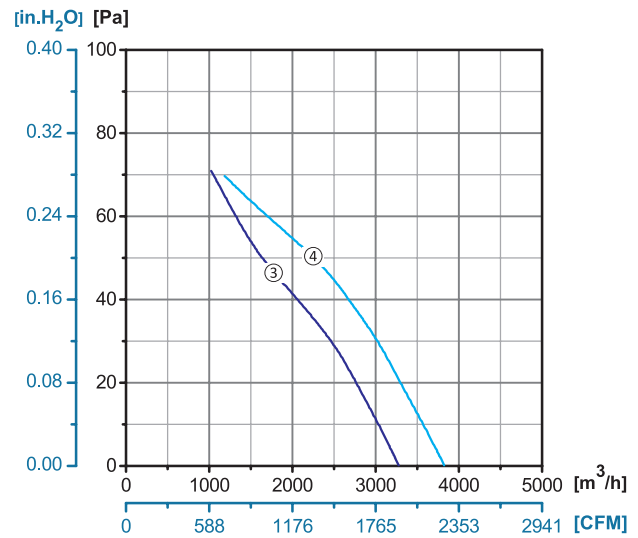
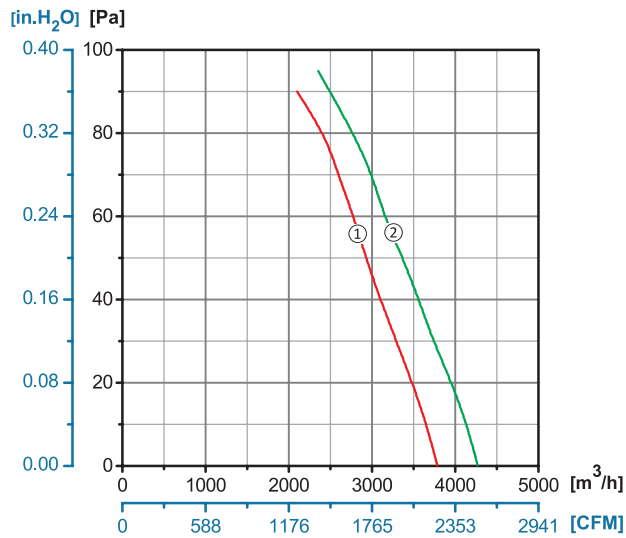
防护等级 Ingress Protection: IP54






绝缘等级 Insulation Class: F

轴承类型 Bearing Type: 免维护滚珠球轴承

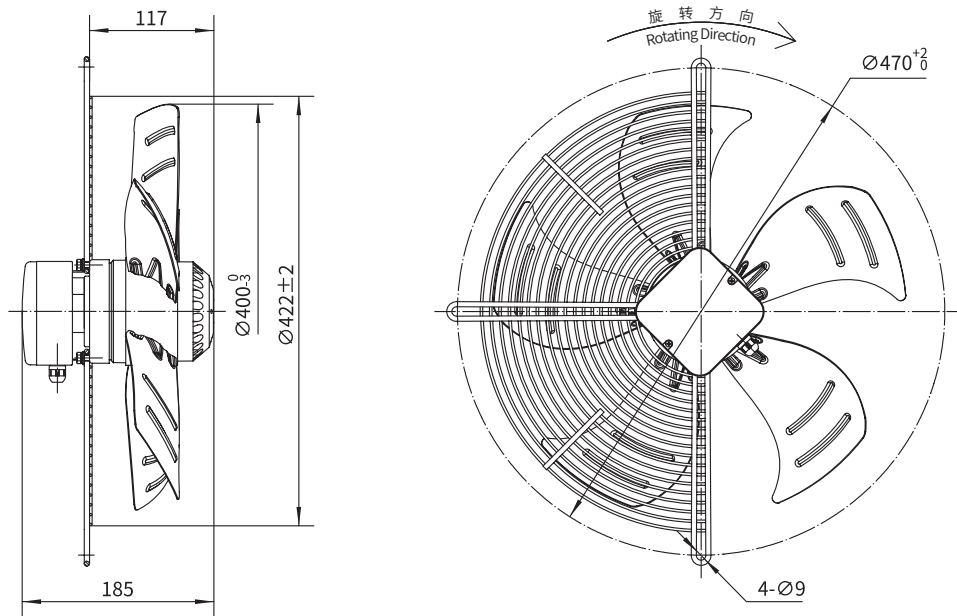
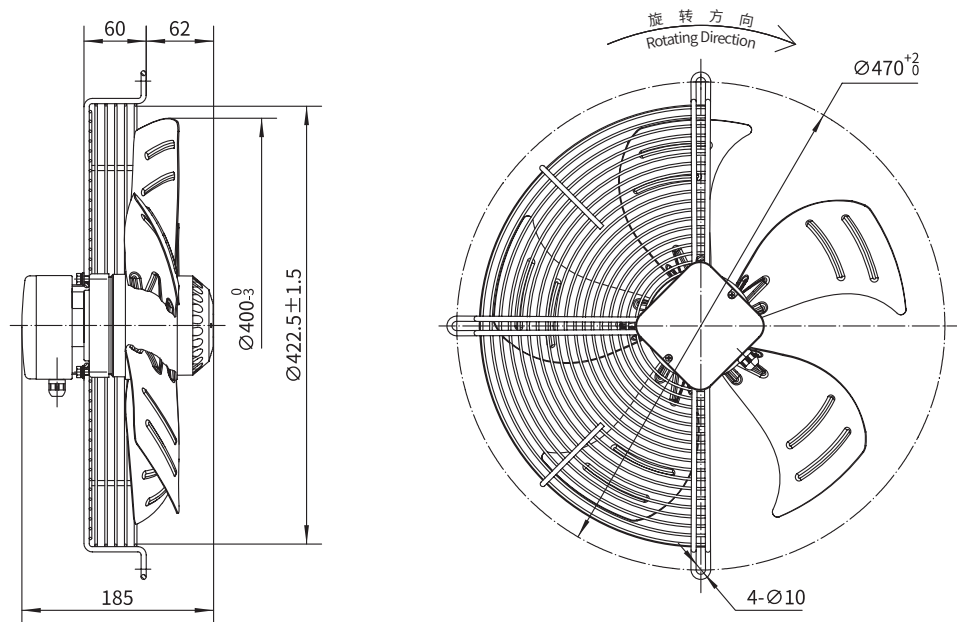
Maintenance Free Ball Bearing

**性能曲线 Performance Curves**



 Type B	 Type C	 Type D	 Type E	 Type F0
YWF.A4S-400S-5B   A00	YWF.A4S-400S-5C   A00	YWF.A4S-400S-5D   A00	YWF.A4S-400S-5E   A00	YWF.A4S-400S-5F   A00
YWF.A4T-400S-5B   A00	YWF.A4T-400S-5C   A00	YWF.A4T-400S-5D   A00	YWF.A4T-400S-5E   A00	YWF.A4T-400S-5F   A00
YWF.A6S-400S-5B   A00	YWF.A6S-400S-5C   A00	YWF.A6S-400S-5D   A00	YWF.A6S-400S-5E   A00	YWF.A6S-400S-5F   A00
YWF.A6T-400S-5B   A00	YWF.A6T-400S-5C   A00	YWF.A6T-400S-5D   A00	YWF.A6T-400S-5E   A00	YWF.A6T-400S-5F   A00
YWF.A4S-400S-5B   A05	YWF.A4S-400S-5C   A05	YWF.A4S-400S-5D   A05	YWF.A4S-400S-5E   A05	YWF.A4S-400S-5F   A05



**B 型网罩 Type B**

**C 型网罩 Type C**

 常规金属叶片轴流风机  
 Conv. Steel Blade Axial


Type F1

电压 Voltage	频率 Frequency	电流 Current	功率 Power	转速 Speed	电容 Capacitor	风量 Air Flow (0 Pa)	噪音 Noise	曲线 Curve	运行温度 Working Temp.	认证 Approvals	
V	Hz	A	W	RPM	$\mu\text{F}$	$[\text{m}^3/\text{h}]/[\text{CFM}]$	$\text{dB(A)}$	No.	Min/Max( $^{\circ}\text{C}$ )		
/	220/230	50	0.90	190	1350	6	3800/2235	60	①	-30/+60	CCC, CE
/	220/230	60	1.22	270	1580	6	4300/2529	65	②	-30/+60	CCC, CE, UL
/	380/400	50	0.50	190	1370	/	3800/2235	60	①	-30/+60	CCC, CE
/	380/400	60	0.47	250	1620	/	4300/2529	65	②	-30/+60	CCC, CE, UL
/	220/230	50	0.50	110	950	4	3275/1926	55	③	-30/+60	CCC, CE
/	220/230	60	0.54	120	1100	4	3825/2250	57	④	-30/+60	CCC, CE, UL
/	380/400	50	0.31	110	930	/	3275/1926	55	③	-30/+60	CCC, CE
/	380/400	60	0.30	135	1050	/	3825/2250	57	④	-30/+60	CCC, CE, UL
/	110/120	60	2.20	270	1500	24	3800/2235	65	②	-30/+60	UL

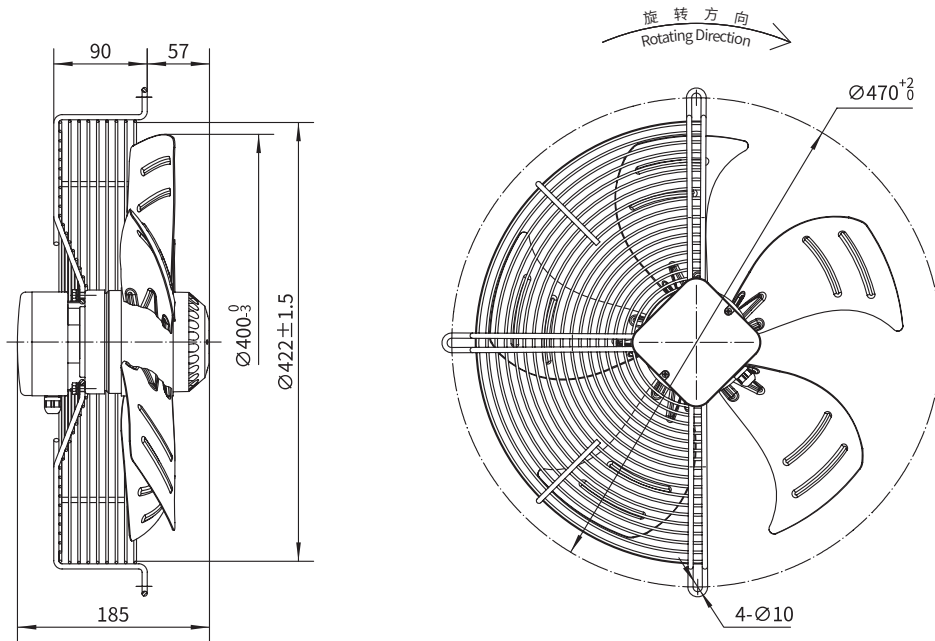




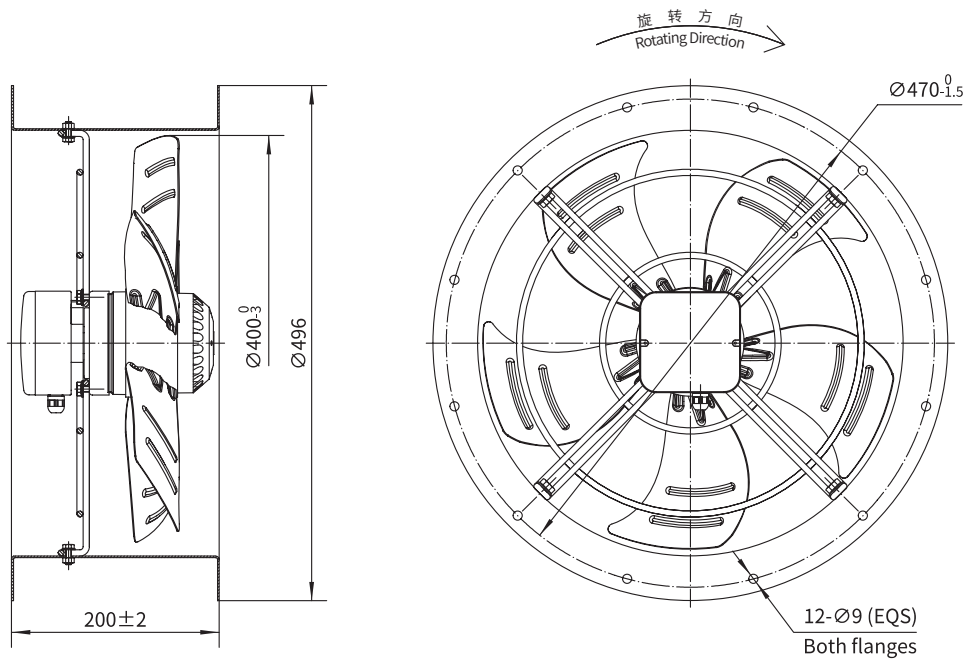
常规金属叶片轴流风机  
Conventional Carbon Steel Blade Axial Fan

Φ400

D 型网罩 Type D



E 型导风筒 Type E

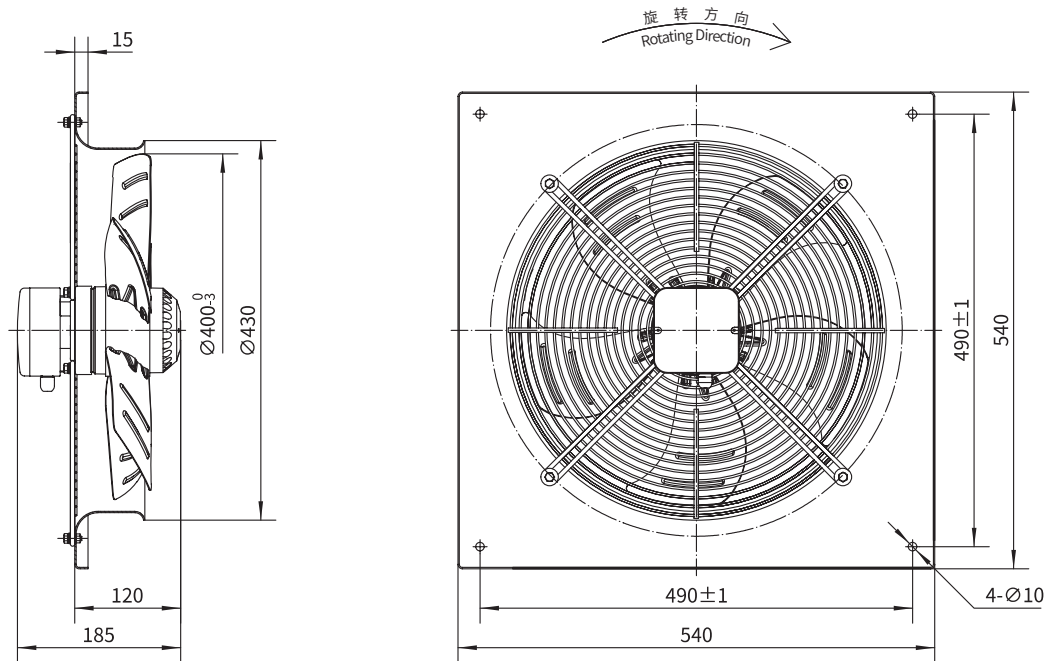




**常规金属叶片轴流风机**  
Conventional Carbon Steel Blade Axial Fan

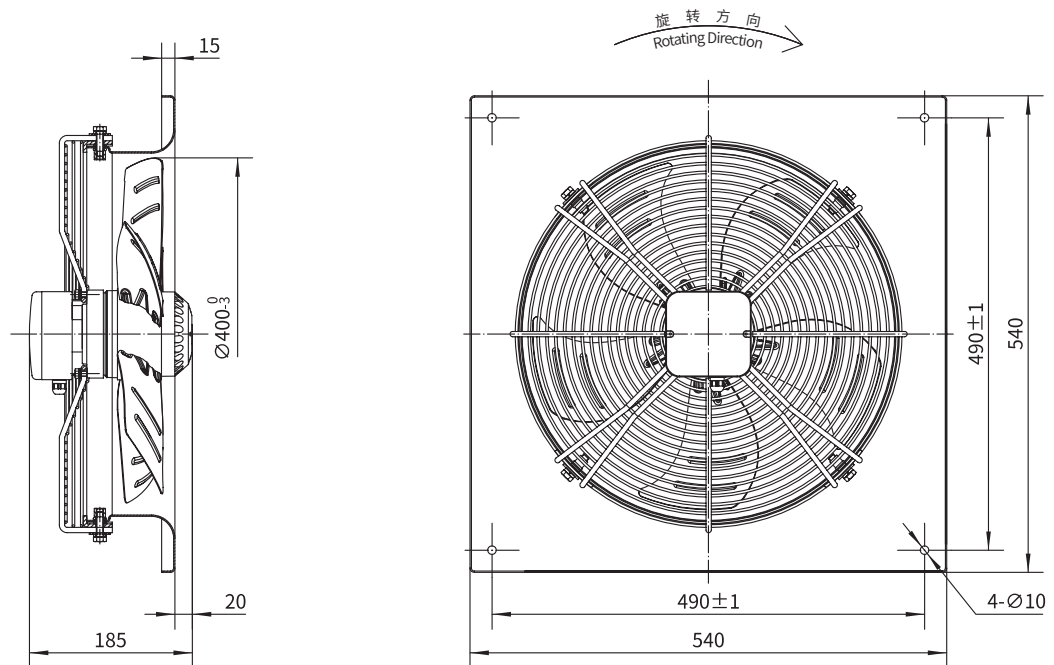
**Φ400**

**F0 型面板 Type F0**



常规金属叶片轴流风机  
Conv. Steel Blade Axial

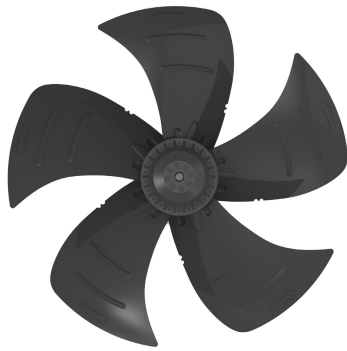
**F1 型面板 Type F1**





常规金属叶片轴流风机  
Conventional Carbon Steel Blade Axial Fan

**ErP2015**  
EXCEEDS THE NORM



Φ450

转子材质 Rotor Material: 铸铝 Aluminum Die-casting

叶轮材质 Impeller Material: 碳钢 Carbon Steel

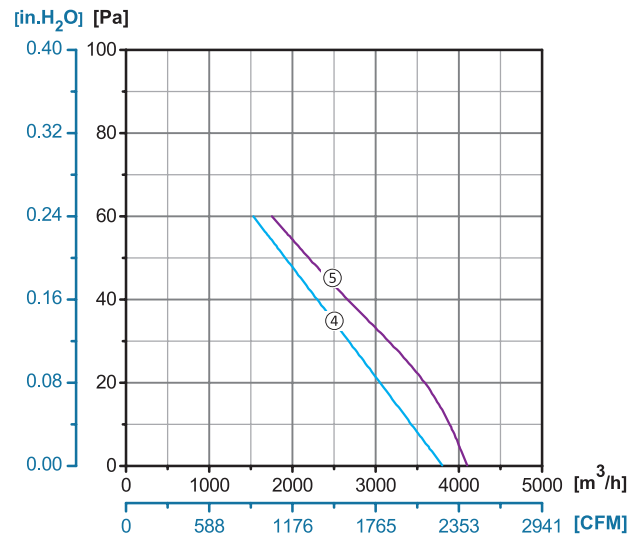
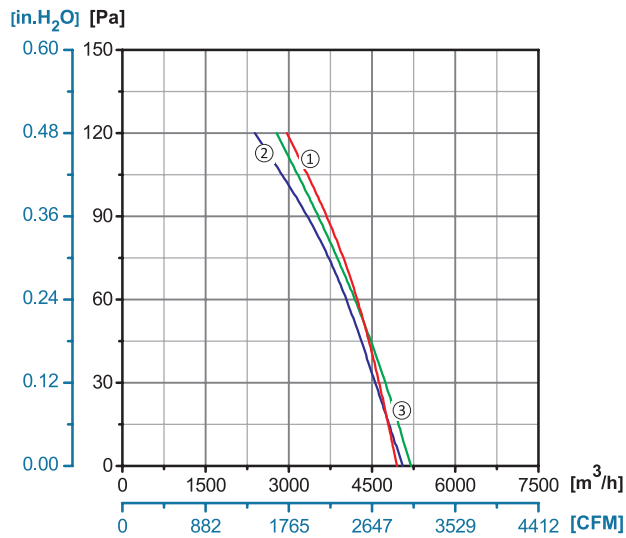
防护等级 Ingress Protection: IP54






绝缘等级 Insulation Class: F

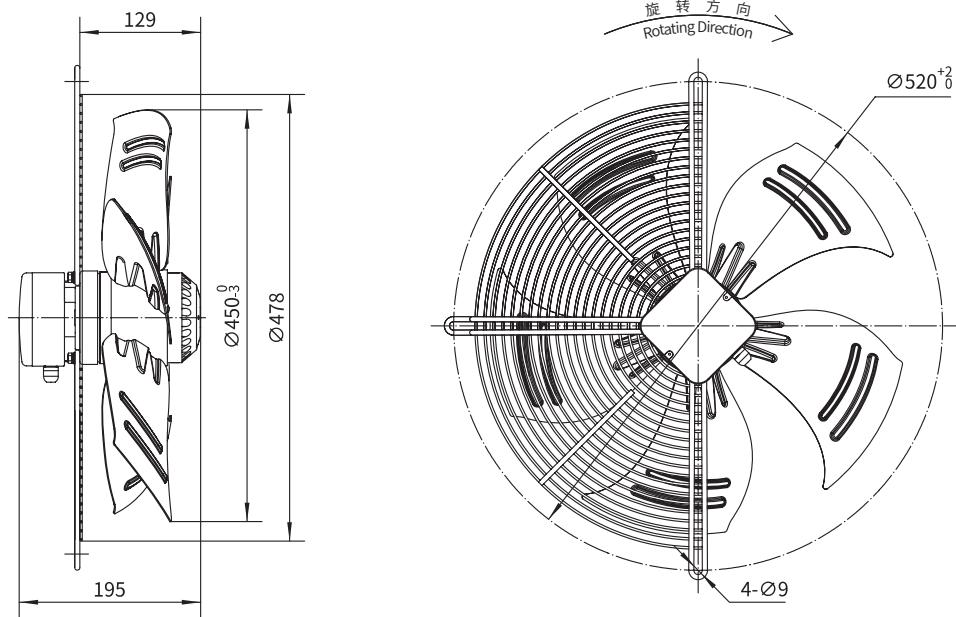
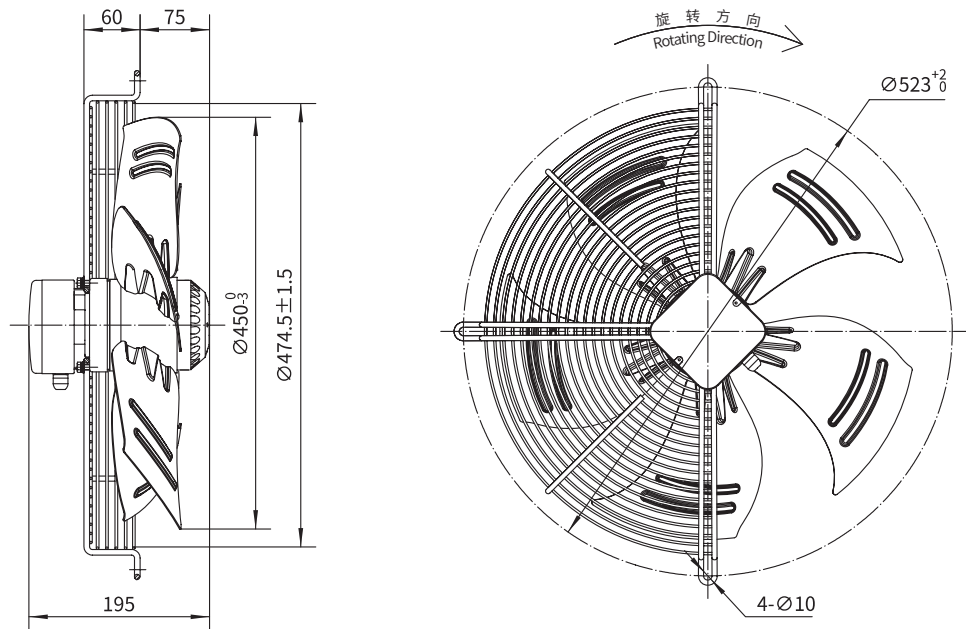
轴承类型 Bearing Type: 免维护滚珠球轴承

Maintenance Free Ball Bearing

性能曲线 Performance Curves



				
Type B	Type C	Type D	Type E	Type F0
YWF.A4S-450S-5B   A00	YWF.A4S-450S-5C   A00	YWF.A4S-450S-5D   A00	YWF.A4S-450S-5E   A00	YWF.A4S-450S-5F   A00
YWF.A4T-450S-5B   A00	YWF.A4T-450S-5C   A00	YWF.A4T-450S-5D   A00	YWF.A4T-450S-5E   A00	YWF.A4T-450S-5F   A00
YWF.A6S-450S-5B   A00	YWF.A6S-450S-5C   A00	YWF.A6S-450S-5D   A00	YWF.A6S-450S-5E   A00	YWF.A6S-450S-5F   A00
YWF.A6T-450S-5B   A00	YWF.A6T-450S-5C   A00	YWF.A6T-450S-5D   A00	YWF.A6T-450S-5E   A00	YWF.A6T-450S-5F   A00
YWF.A4S-450S-5B   A05	YWF.A4S-450S-5C   A05	YWF.A4S-450S-5D   A05	YWF.A4S-450S-5E   A05	YWF.A4S-450S-5F   A05

**B 型网罩 Type B**

**C 型网罩 Type C**


Type F1

	电压 Voltage	频率 Frequency	电流 Current	功率 Power	转速 Speed	电容 Capacitor	风量 Air Flow (0 Pa)	噪音 Noise	曲线 Curve	运行温度 Working Temp.	认证 Approvals
	V	Hz	A	W	RPM	$\mu$ F	[m <sup>3</sup> /h]/[CFM]	dB(A)	No.	Min/Max(°C)	
YWF.A4S-450S-5F   A01	220/230	50	1.15	250	1350	7	5200/3058	62	③	-30/+60	CCC, CE
	220/230	60	1.35	290	1600	7	4950/2911	66	①	-30/+60	CCC, CE, UL
YWF.A4T-450S-5F   A01	380/400	50	0.55	250	1380	/	5050/2970	62	②	-30/+60	CCC, CE
	380/400	60	0.53	290	1600	/	4800/2823	66	①	-30/+60	CCC, CE, UL
YWF.A6S-450S-5F   A01	220/230	50	0.65	135	920	6	3800/2235	56	④	-30/+60	CCC, CE
	220/230	60	0.79	175	1100	6	4100/2412	58	⑤	-30/+60	CCC, CE, UL
YWF.A6T-450S-5F   A01	380/400	50	0.33	120	910	/	3800/2235	56	④	-30/+60	CCC, CE
	380/400	60	0.34	145	1030	/	4100/2412	58	⑤	-30/+60	CCC, CE, UL
YWF.A4S-450S-5F   A15	110/120	60	2.40	300	1600	22	4950/2911	66	①	-30/+60	UL

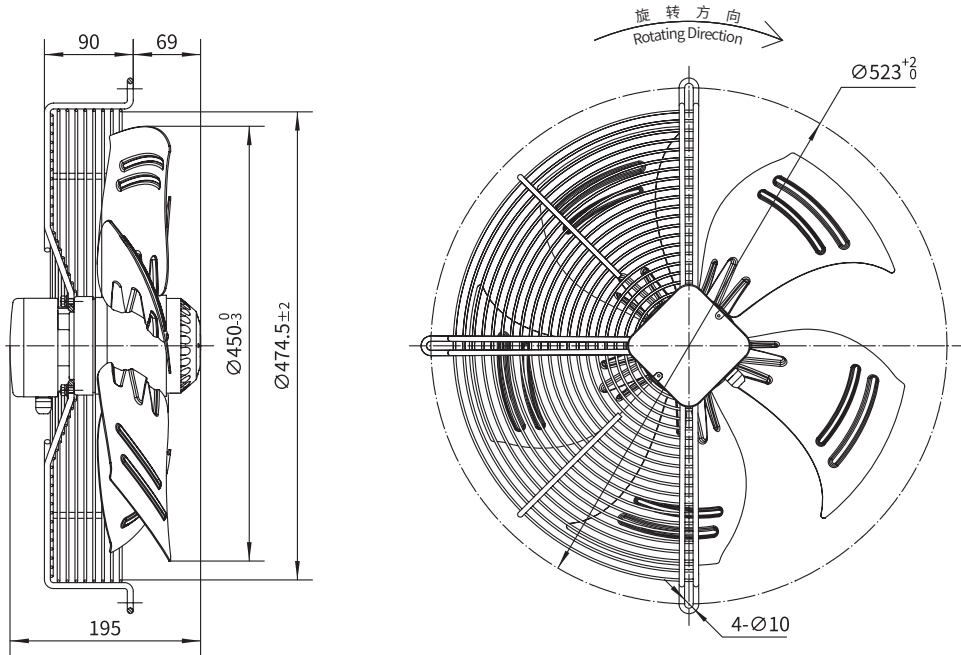




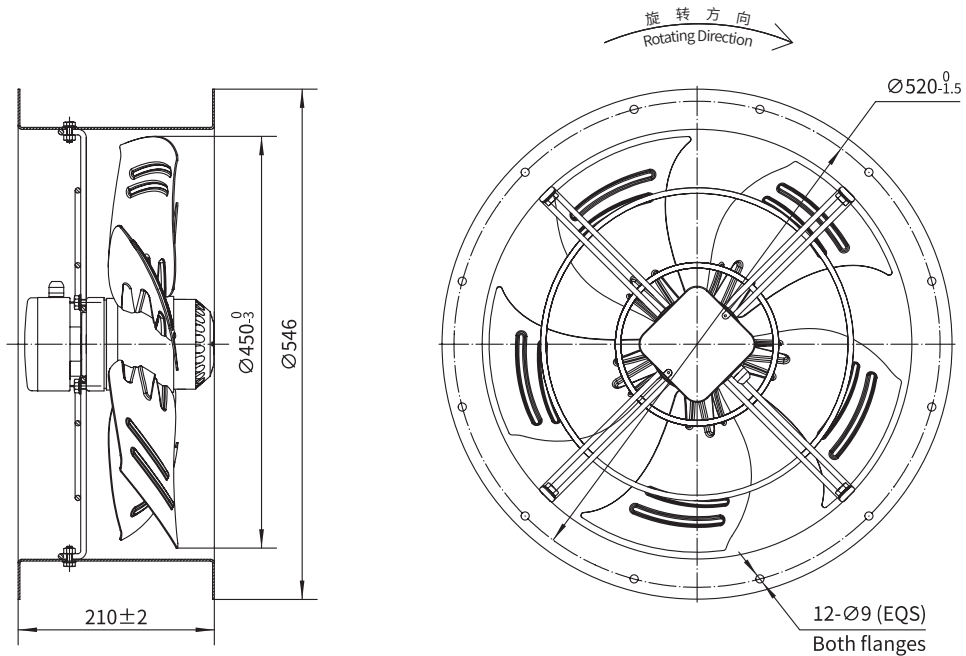
常规金属叶片轴流风机  
Conventional Carbon Steel Blade Axial Fan

Φ450

D 型网罩 Type D



E 型导风筒 Type E

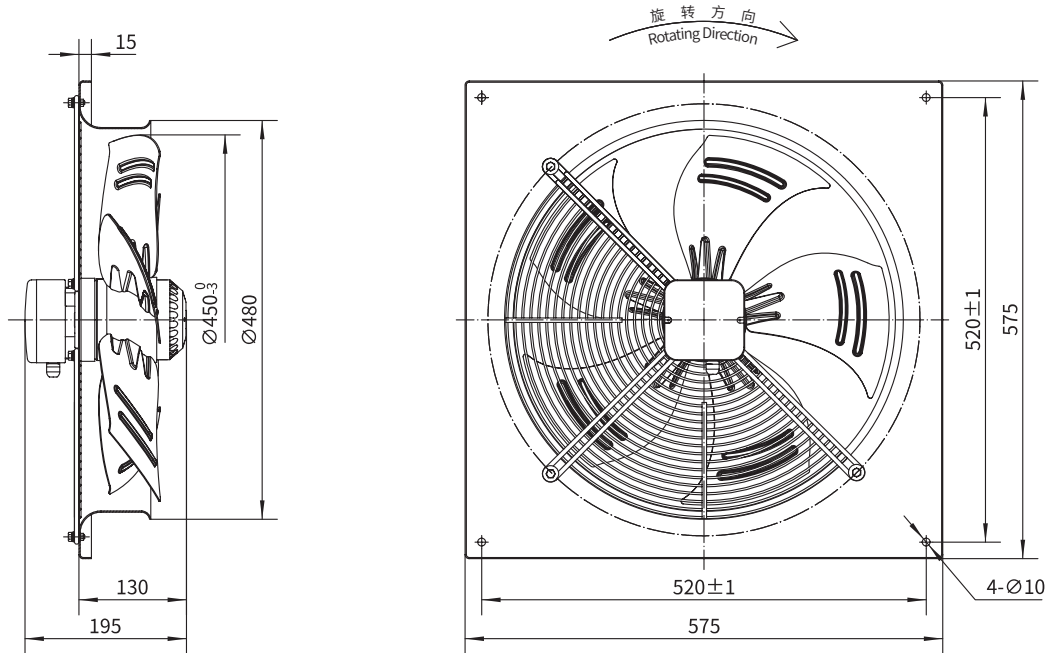




**常规金属叶片轴流风机**  
Conventional Carbon Steel Blade Axial Fan

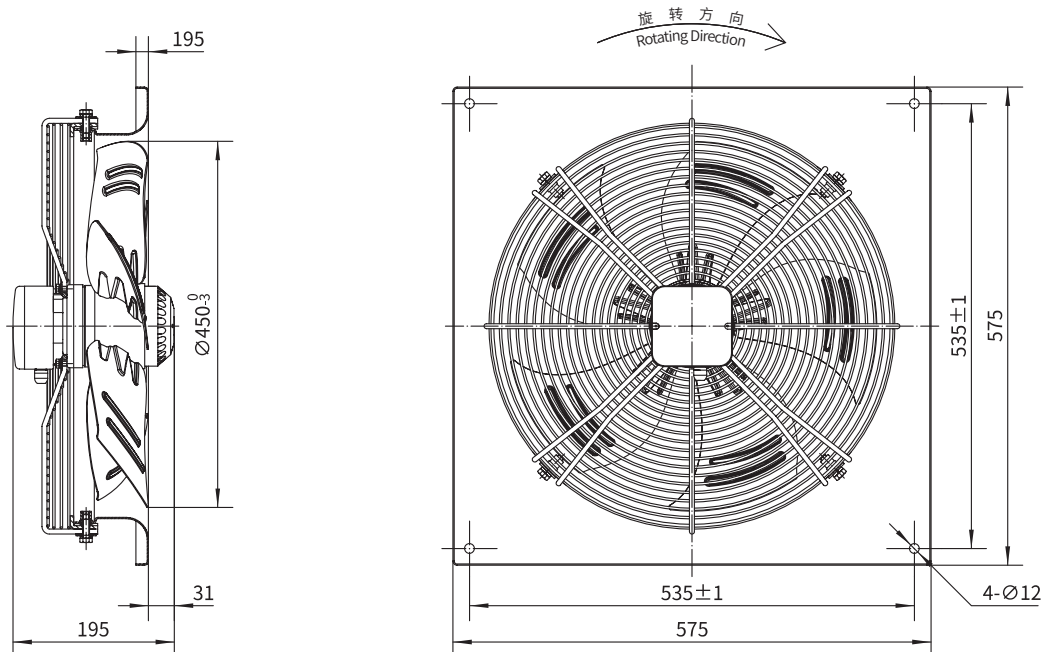
**Φ450**

**F0 型面板 Type F0**



常规金属叶片轴流风机  
Conv. Steel Blade Axial

**F1 型面板 Type F1**





常规金属叶片轴流风机  
Conventional Carbon Steel Blade Axial Fan

**ErP2015**  
EXCEEDS THE NORM



**Φ500-L**

转子材质 Rotor Material: 铸铝 Aluminum Die-casting

叶轮材质 Impeller Material: 碳钢 Carbon Steel

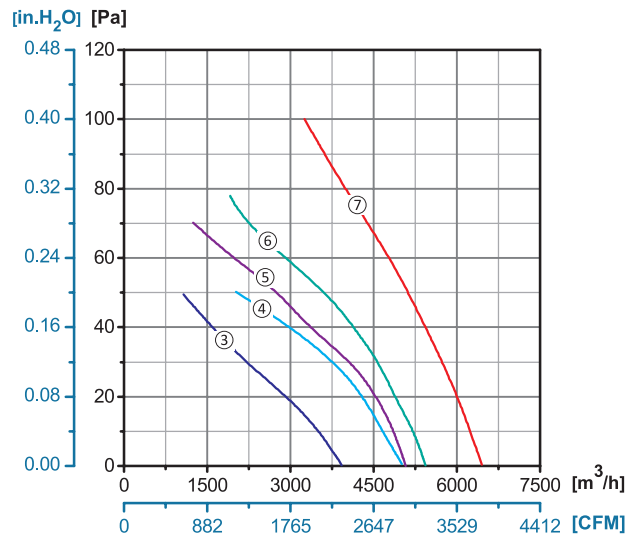
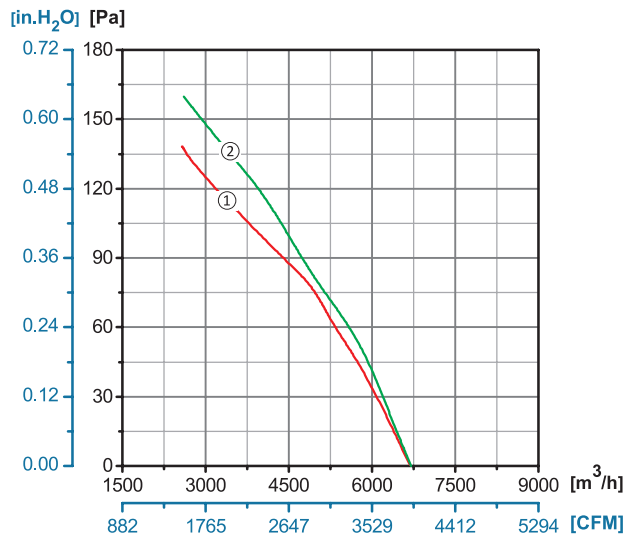
防护等级 Ingress Protection: IP54






绝缘等级 Insulation Class: F

轴承类型 Bearing Type: 免维护滚珠球轴承

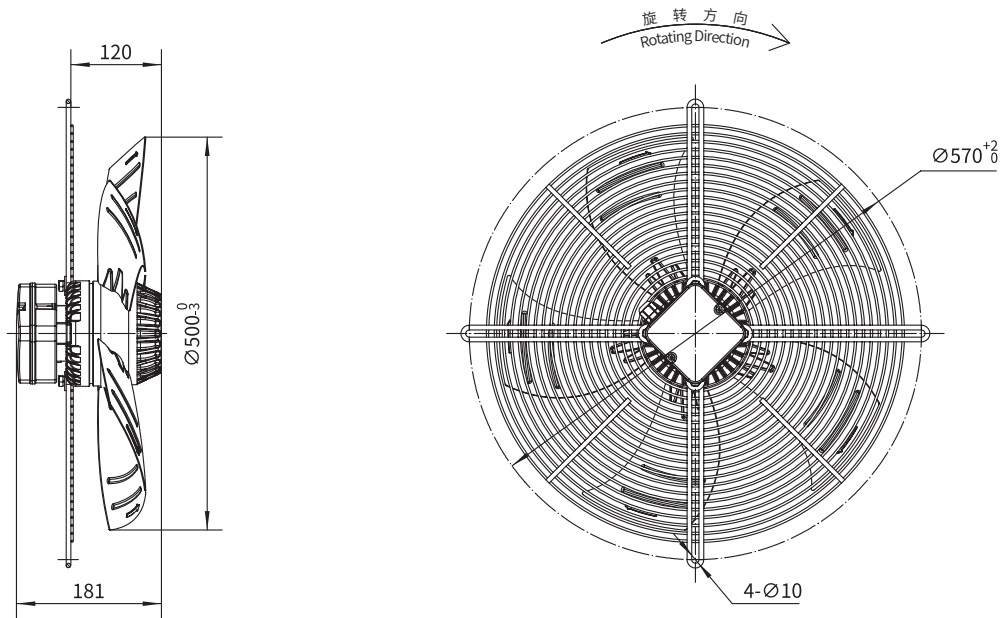
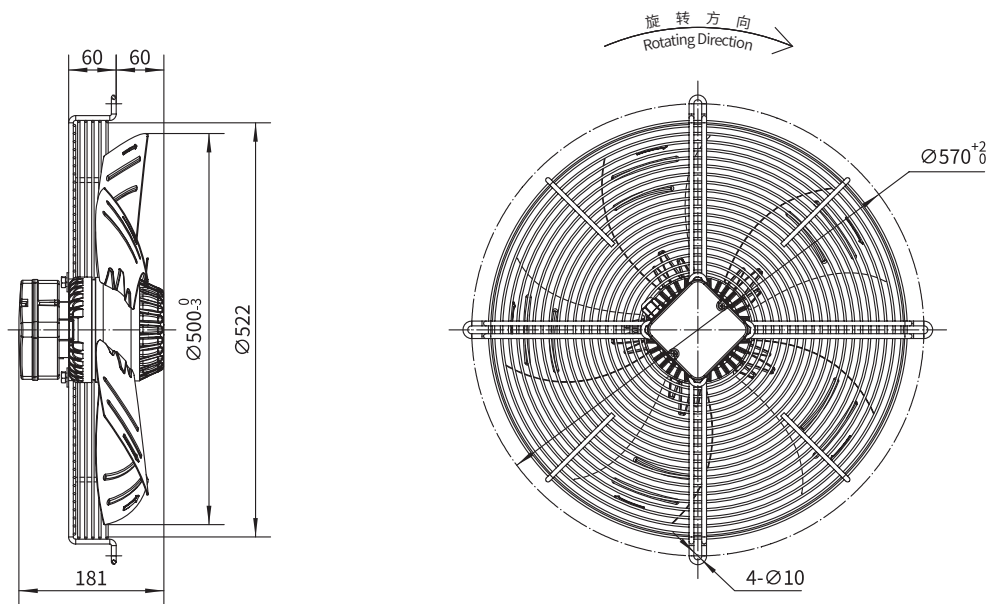
Maintenance Free Ball Bearing

性能曲线 Performance Curves



				
Type B	Type C	Type D	Type E	Type F0
YWF.A4S-500S-5B   A00	YWF.A4S-500S-5C   A00	YWF.A4S-500S-5D   A00	YWF.A4S-500S-5E   A00	YWF.A4S-500S-5F   A00
YWF.A4T-500S-5B   A00	YWF.A4T-500S-5C   A00	YWF.A4T-500S-5D   A00	YWF.A4T-500S-5E   A00	YWF.A4T-500S-5F   A00
YWF.A6S-500S-5B   A00	YWF.A6S-500S-5C   A00	YWF.A6S-500S-5D   A00	YWF.A6S-500S-5E   A00	YWF.A6S-500S-5F   A00
YWF.A6T-500S-5B   A00	YWF.A6T-500S-5C   A00	YWF.A6T-500S-5D   A00	YWF.A6T-500S-5E   A00	YWF.A6T-500S-5F   A00
YWF.A8T-500S-5B   A00	YWF.A8T-500S-5C   A00	YWF.A8T-500S-5D   A00	YWF.A8T-500S-5E   A00	YWF.A8T-500S-5F   A00



**B 型网罩 Type B**

**C 型网罩 Type C**


Type F1

	电压 Voltage	频率 Frequency	电流 Current	功率 Power	转速 Speed	电容 Capacitor	风量 Air Flow (0 Pa)	噪音 Noise	曲线 Curve	运行温度 Working Temp.	认证 Approvals
	V	Hz	A	W	RPM	μF	[m <sup>3</sup> /h]/[CFM]	dB(A)	No.	Min/Max(°C)	
YWF.A4S-500S-5F   A01	220/230	50	2.00	420	1320	10	6500/3835	69	①	-30/+60	CCC, CE
	220/230	60	2.2	500	1550	10	6800/4012	70	②	-30/+60	CCC, CE, UL
YWF.A4T-500S-5F   A01	380/400	50	0.95	420	1350	/	6500/3835	69	①	-30/+60	CCC, CE
	380/400	60	0.90	500	1500	/	6800/4012	63	②	-30/+60	CCC, CE, UL
YWF.A6S-500S-5F   A01	220/230	50	1.10	220	920	4	5000/2941	65	④	-30/+60	CCC, CE
	220/230	60	0.92	200	1000	4	5080/2988	66	⑤	-30/+60	CCC, CE, UL
YWF.A6T-500S-5F   A01	380/400	50	0.62	220	920	/	5437/3198	65	⑥	-30/+60	CCC, CE
	380/400	60	0.60	275	1100	/	6450/3794	66	⑦	-30/+60	CCC, CE, UL
YWF.A8T-500S-5F   A01	380/400	50	0.30	110	700	/	3920/2306	50	③	-30/+60	CCC, CE

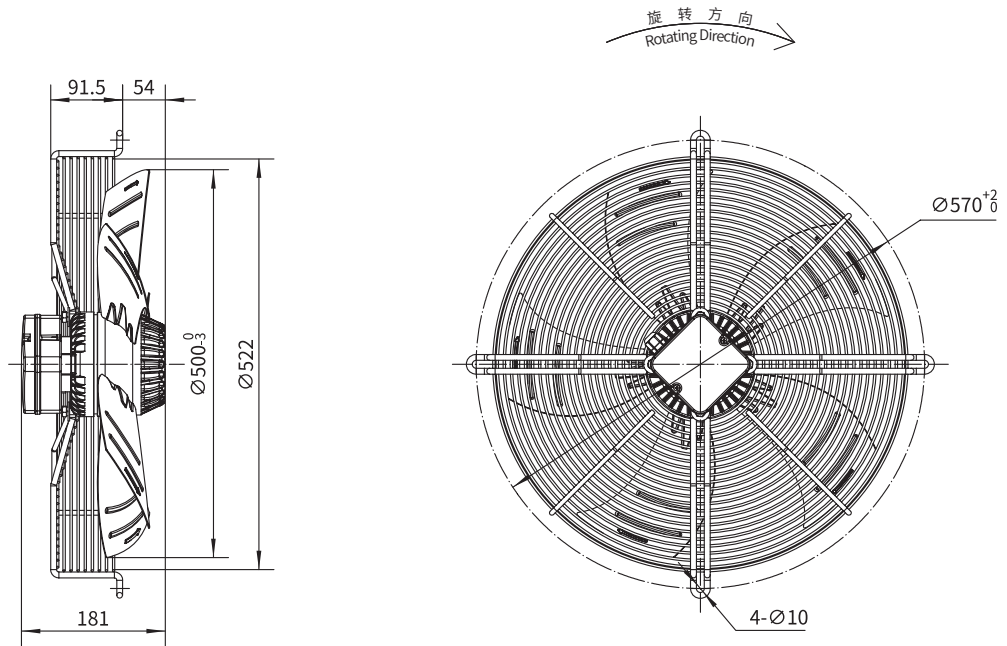




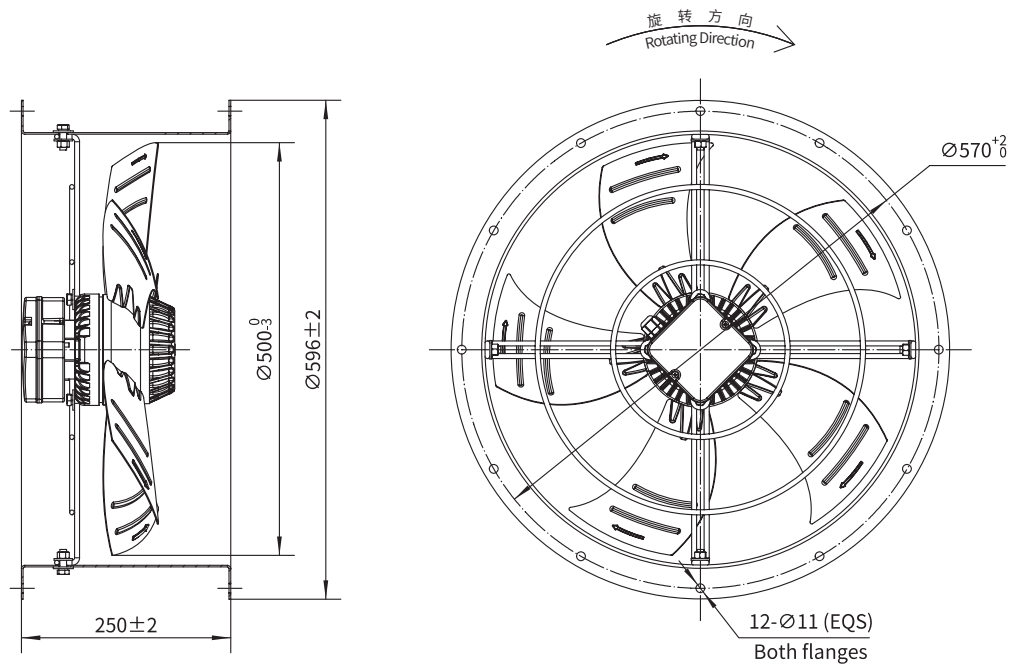
**常规金属叶片轴流风机**  
**Conventional Carbon Steel Blade Axial Fan**

**Φ500-L**

**D 型网罩 Type D**



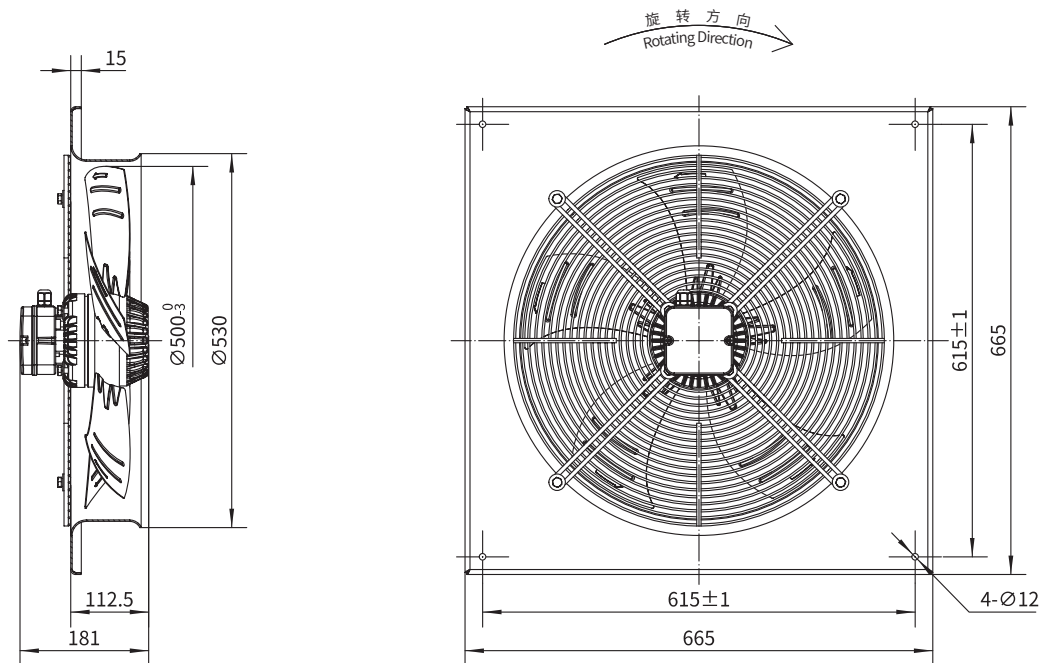
**E 型导风筒 Type E**



 **常规金属叶片轴流风机**  
**Conventional Carbon Steel Blade Axial Fan**

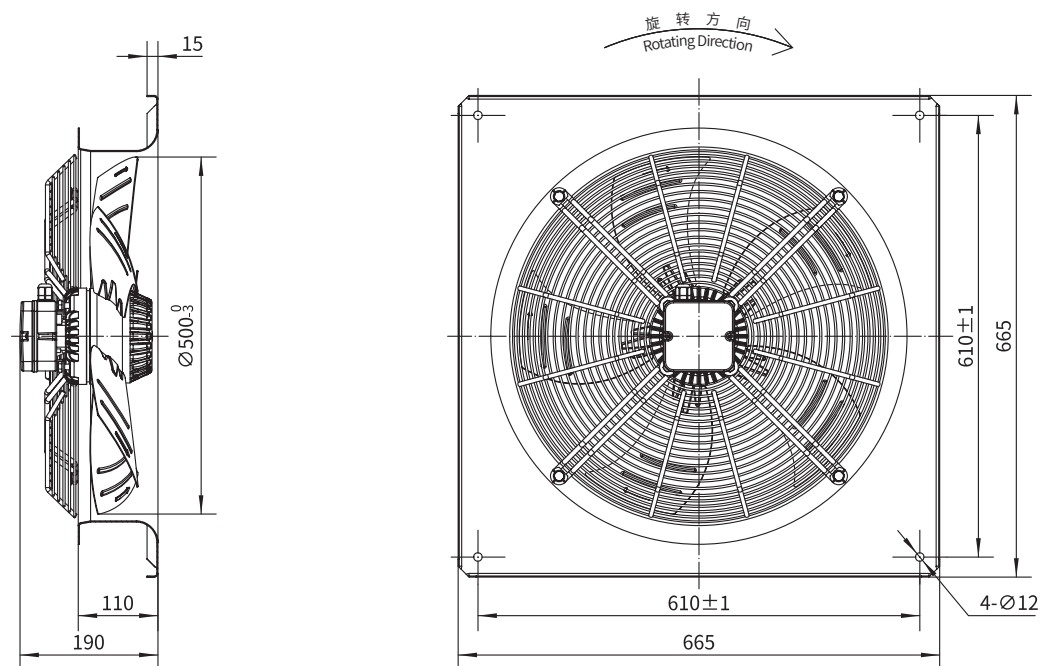
**Φ500-L**

**F0 型面板 Type F0**



常规金属叶片轴流风机  
Conv. Steel Blade Axial

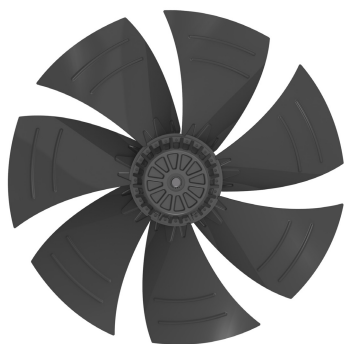
**F1 型面板 Type F1**





常规金属叶片轴流风机  
Conventional Carbon Steel Blade Axial Fan

**ErP2015**  
EXCEEDS THE NORM



## Φ500-H

转子材质 Rotor Material: 铸铝 Aluminum Die-casting

叶轮材质 Impeller Material: 碳钢 Carbon Steel

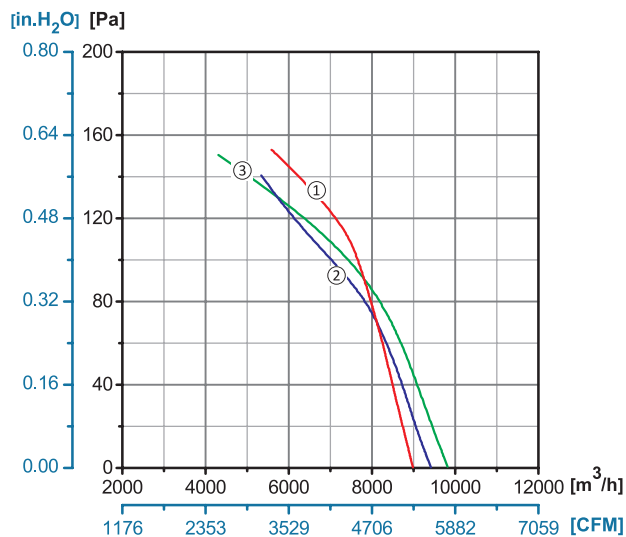
防护等级 Ingress Protection: IP54






绝缘等级 Insulation Class: F

轴承类型 Bearing Type: 免维护滚珠球轴承

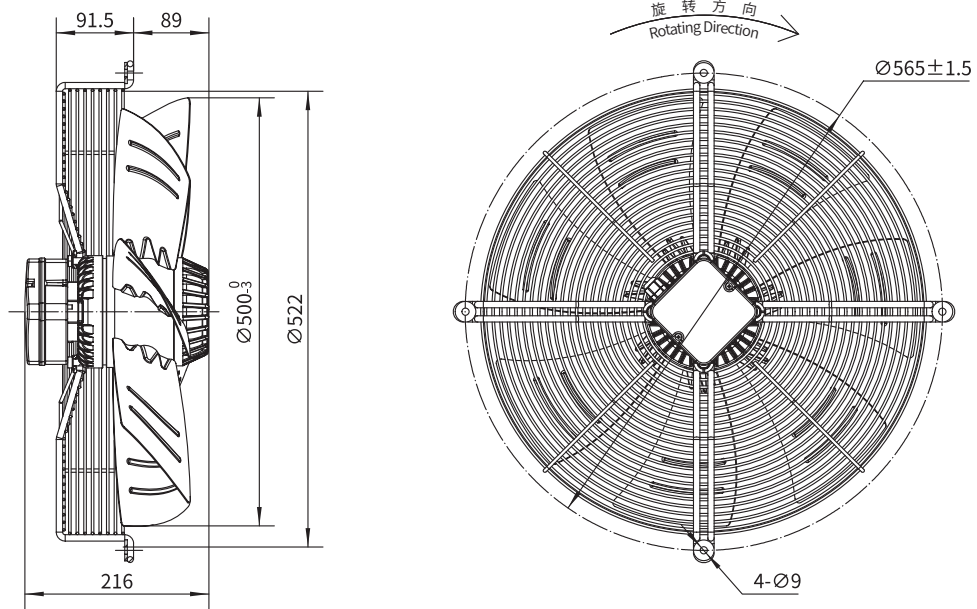
Maintenance Free Ball Bearing

### 性能曲线 Performance Curves

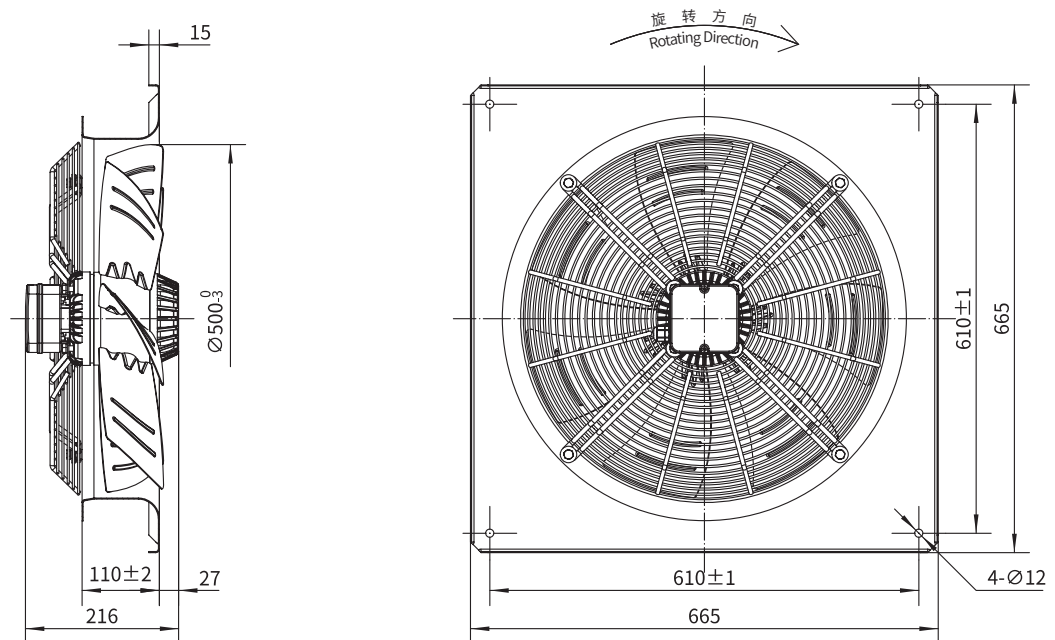


				
Type B	Type C	Type D	Type E	Type F0
/	/	YWF.A4S-500S-7D   AT0	/	/
/	/	YWF.A4T-500S-7D   AT0	/	/

### D 型网罩 Type D



### F1 型面板 Type F1



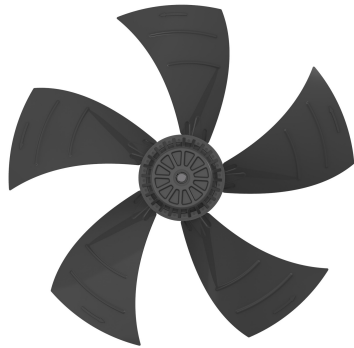
常规金属叶片轴流风机  
Conv. Steel Blade Axial

	电压 Voltage	频率 Frequency	电流 Current	功率 Power	转速 Speed	电容 Capacitor	风量 Air Flow (0 Pa)	噪音 Noise	曲线 Curve	运行温度 Working Temp.	认证 Approvals
Type F1	V	Hz	A	W	RPM	μF	[m <sup>3</sup> /h]/[CFM]	dB(A)	No.	Min/Max(°C)	
YWF.A4S-500S-7F   AT1	220/230	50	3.90	850	1350	16	9800/5765	74	③	-30/+60	CCC, CE
	220/230	60	4.50	950	1600	16	8980/5282	75	①	-30/+60	CCC, CE
YWF.A4T-500S-7F   AT1	380/400	50	1.60	850	1350	/	9411/5536	72	②	-30/+60	CCC, CE
	380/400	60	1.50	850	1600	/	8980/5282	74	①	-30/+60	CCC, CE



常规金属叶片轴流风机  
Conventional Carbon Steel Blade Axial Fan

**ErP2015**  
EXCEEDS THE NORM



**Φ550**

转子材质 Rotor Material: 铸铝 Aluminum Die-casting

叶轮材质 Impeller Material: 碳钢 Carbon Steel

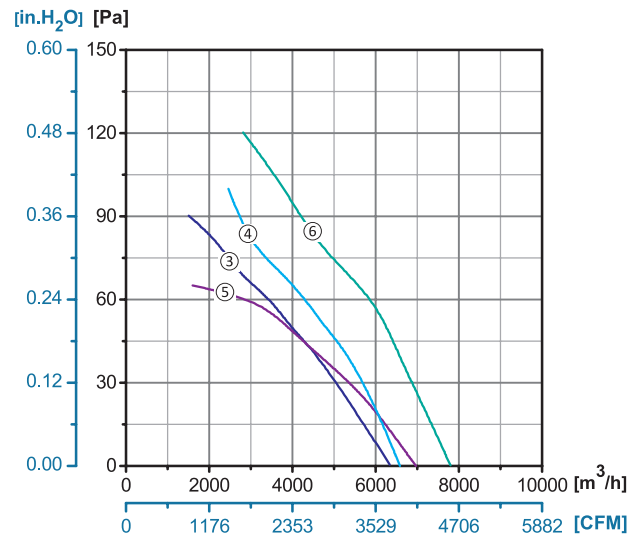
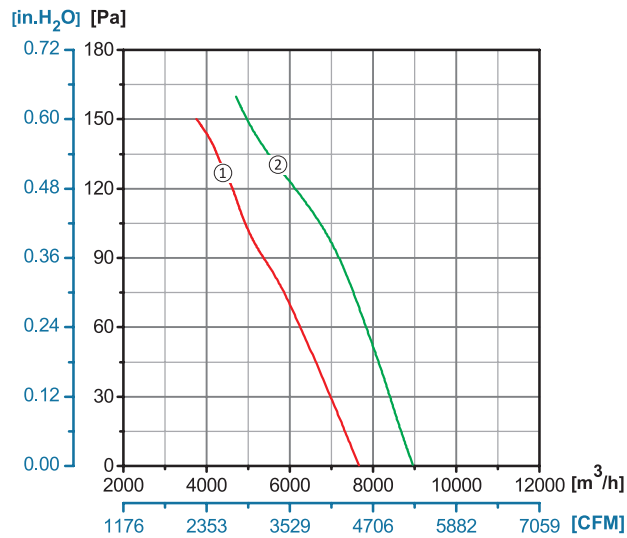
防护等级 Ingress Protection: IP54






绝缘等级 Insulation Class: F

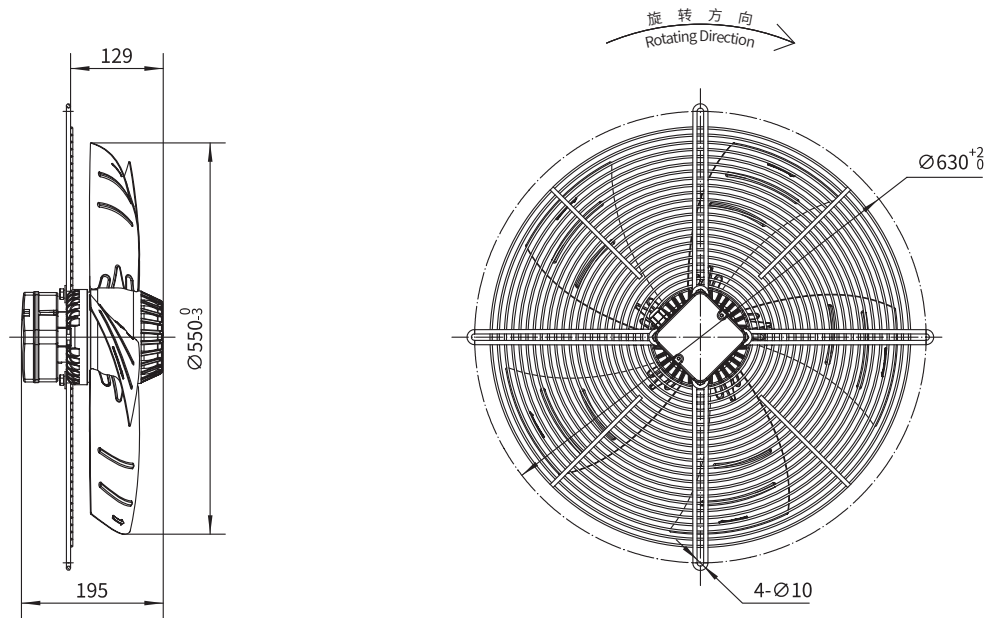
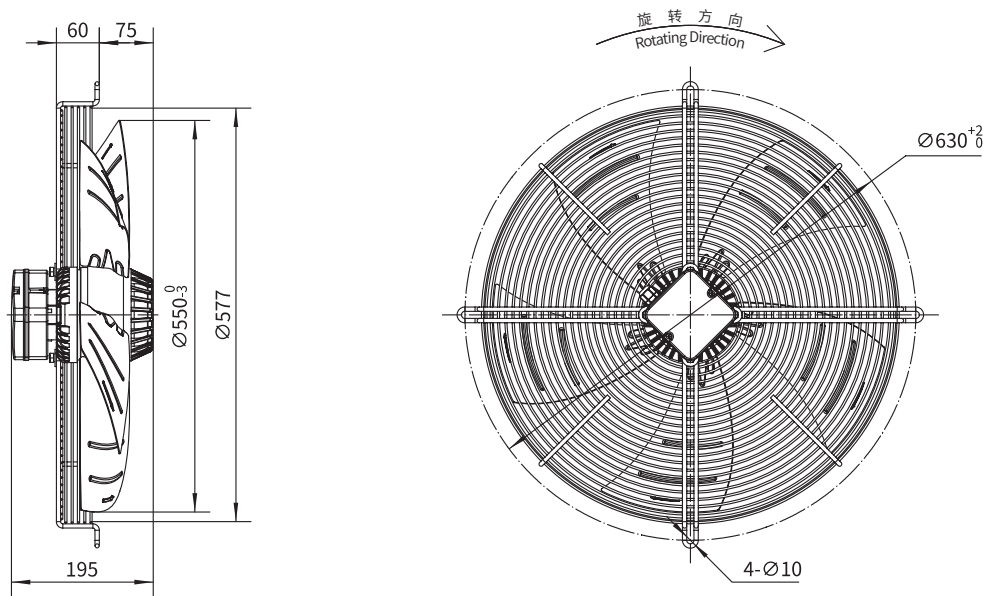
轴承类型 Bearing Type: 免维护滚珠球轴承

Maintenance Free Ball Bearing

性能曲线 Performance Curves



				
Type B	Type C	Type D	Type E	Type F0
YWF.A4S-550S-5B   A00	YWF.A4S-550S-5C   A00	YWF.A4S-550S-5E   A00	YWF.A4S-550S-5D   A00	YWF.A4S-550S-5F   A00
YWF.A4T-550S-5B   A00	YWF.A4T-550S-5C   A00	YWF.A4T-550S-5E   A00	YWF.A4T-550S-5D   A00	YWF.A4T-550S-5F   A00
YWF.A6S-550S-5B   A00	YWF.A6S-550S-5C   A00	YWF.A6S-550S-5E   A00	YWF.A6S-550S-5D   A00	YWF.A6S-550S-5F   A00
YWF.A6T-550S-5B   A00	YWF.A6T-550S-5C   A00	YWF.A6T-550S-5E   A00	YWF.A6T-550S-5D   A00	YWF.A6T-550S-5F   A00

**B 型网罩 Type B**

**C 型网罩 Type C**

**Type F1**

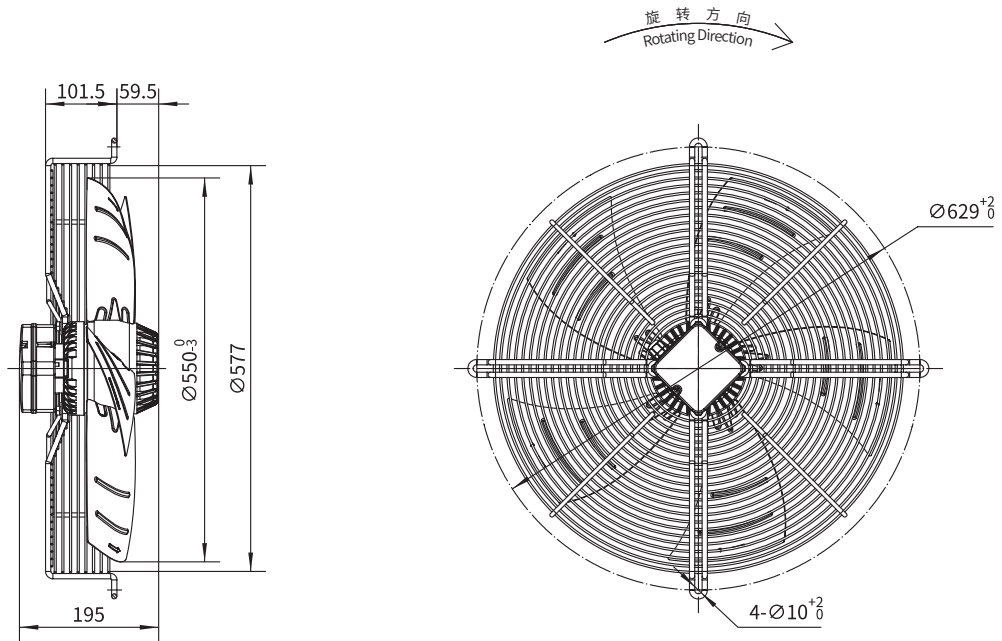
	电压 Voltage	频率 Frequency	电流 Current	功率 Power	转速 Speed	电容 Capacitor	风量 Air Flow (0 Pa)	噪音 Noise	曲线 Curve	运行温度 Working Temp.	认证 Approvals
	V	Hz	A	W	RPM	μF	[m <sup>3</sup> /h]/[CFM]	dB(A)	No.	Min/Max(°C)	
YWF.A4S-550S-5F   A01	220/230	50	2.50	550	1320	12	7500/4425	73	①	-30/+60	CCC, CE
	220/230	60	3.30	725	1400	12	8800/5192	74	②	-30/+60	CCC, CE, UL
YWF.A4T-550S-5F   A01	380/400	50	1.10	550	1330	/	7500/4425	73	①	-30/+60	CCC, CE
	380/400	60	1.40	725	1500	/	8800/5192	74	②	-30/+60	CCC, CE, UL
YWF.A6S-550S-5F   A01	220/230	50	1.50	320	910	10	6340/3729	62	③	-30/+60	CCC, CE
	220/230	60	2.15	465	1060	10	7000/4130	66	⑤	-30/+60	CCC, CE, UL
YWF.A6T-550S-5F   A01	380/400	50	0.95	320	910	/	6500/3835	64	④	-30/+60	CCC, CE
	380/400	60	1.00	440	1090	/	7800/4588	66	⑥	-30/+60	CCC, CE, UL



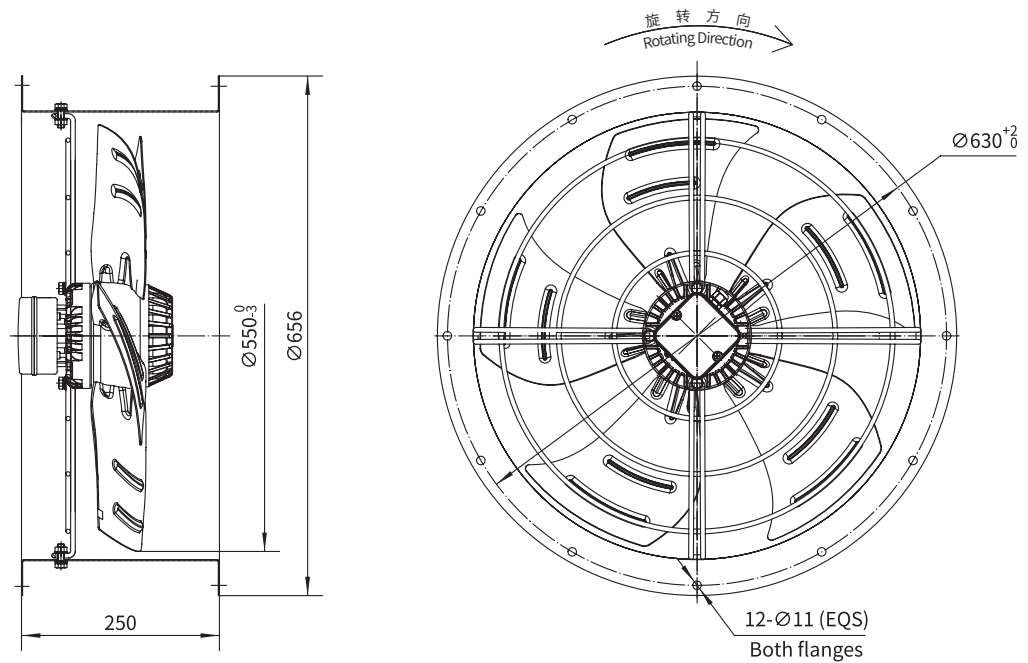
常规金属叶片轴流风机  
Conventional Carbon Steel Blade Axial Fan

Φ550

D 型网罩 Type D



E 型导风筒 Type E



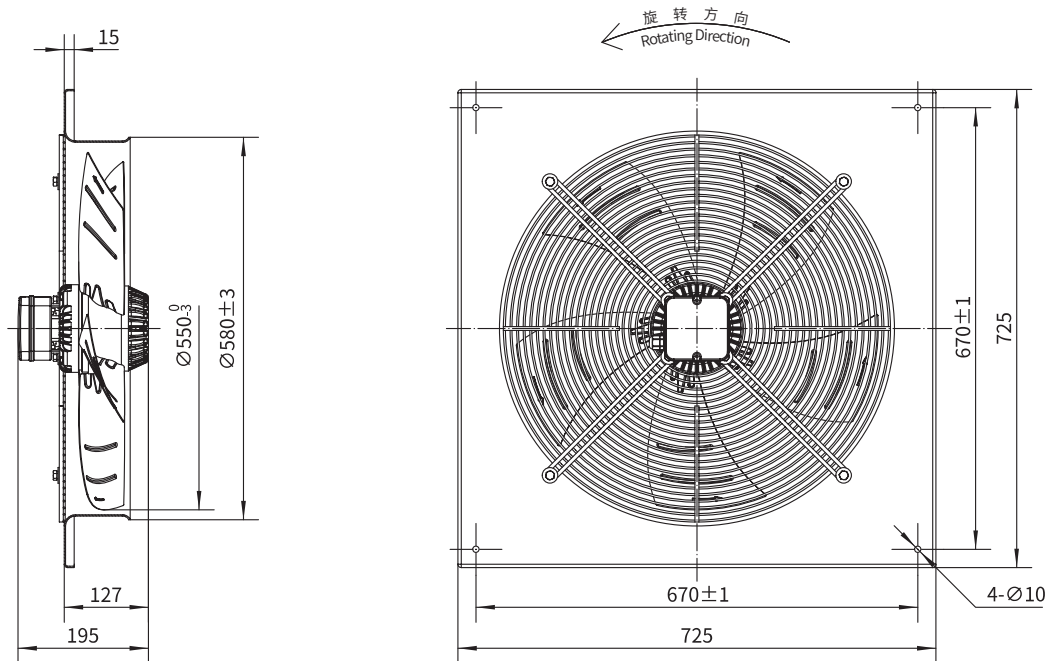




**常规金属叶片轴流风机**  
**Conventional Carbon Steel Blade Axial Fan**

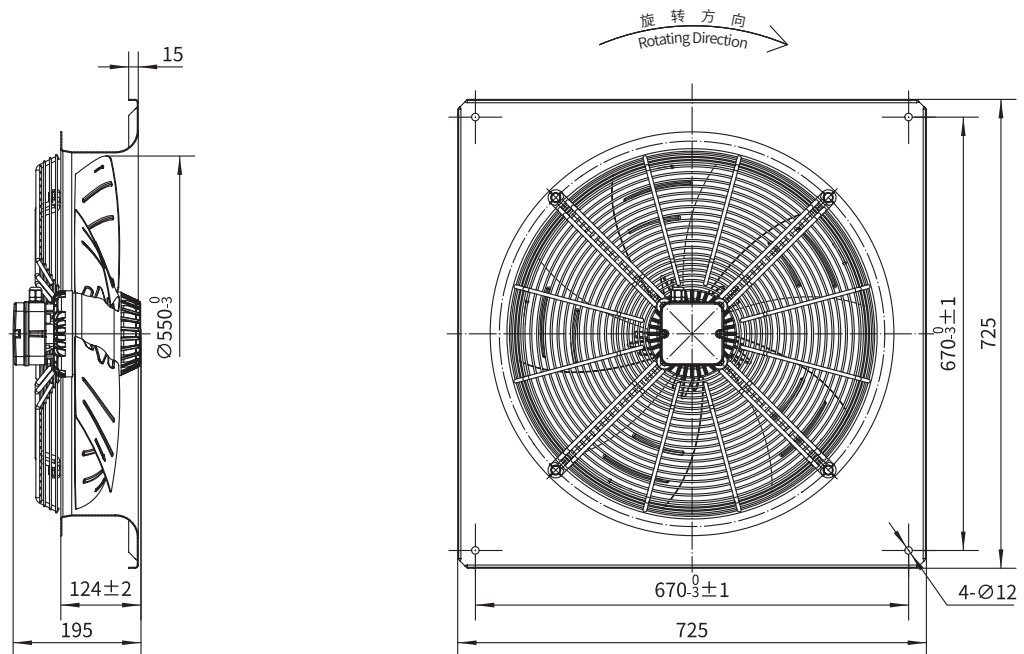
**Φ550**

**F0 型面板 Type F0**



常规金属叶片轴流风机  
Conv. Steel Blade Axial

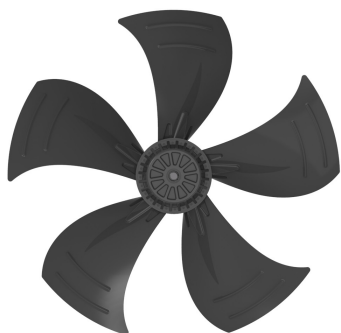
**F1 型面板 Type F1**





常规金属叶片轴流风机  
Conventional Carbon Steel Blade Axial Fan

**ErP2015**  
EXCEEDS THE NORM



**Φ600**

转子材质 Rotor Material: 铸铝 Aluminum Die-casting

叶轮材质 Impeller Material: 碳钢 Carbon Steel

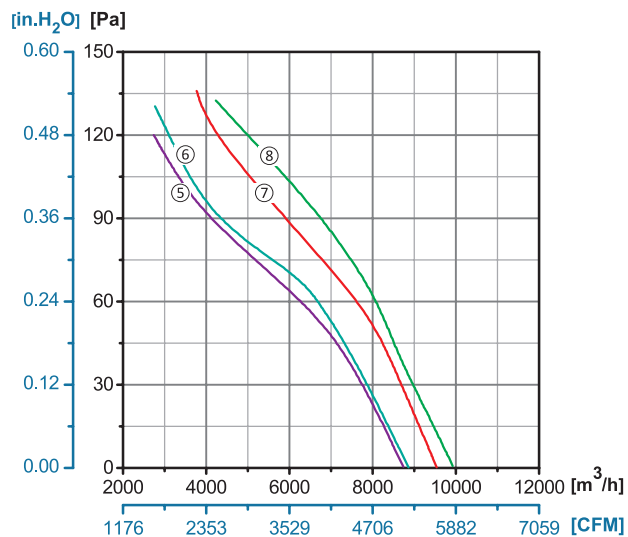
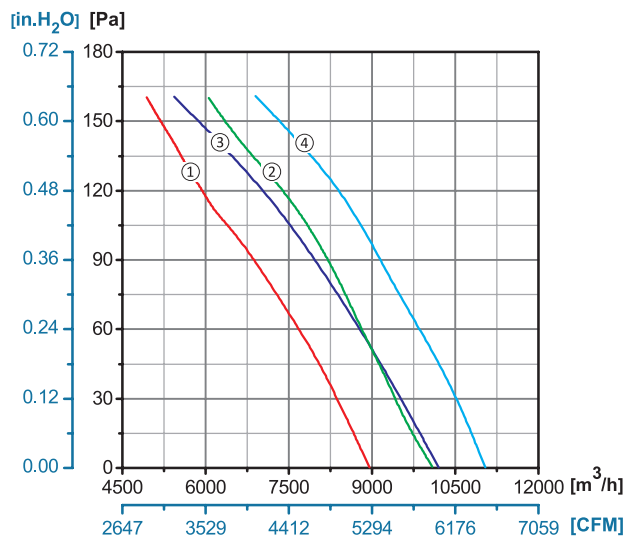
防护等级 Ingress Protection: IP54






绝缘等级 Insulation Class: F

轴承类型 Bearing Type: 免维护滚珠球轴承

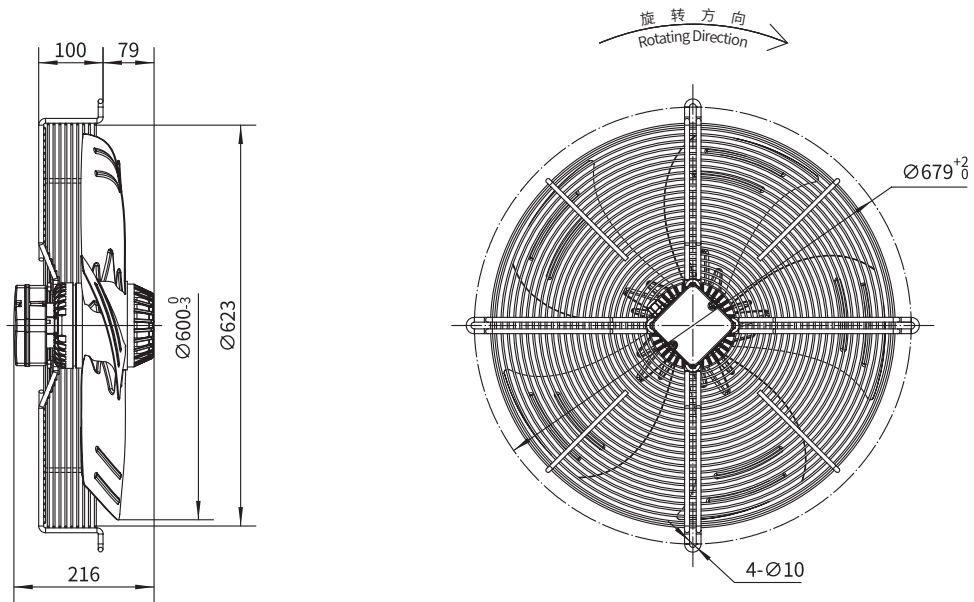
Maintenance Free Ball Bearing

性能曲线 Performance Curves

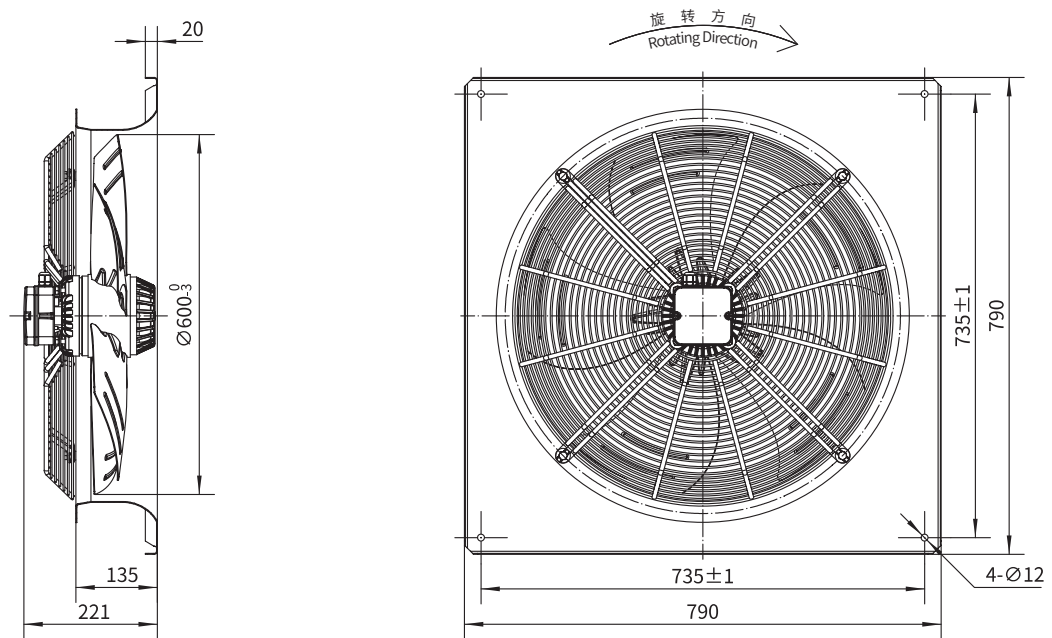


				
Type B	Type C	Type D	Type E	Type F0
/	/	YWF.A4S-600S-5D   A00	/	/
/	/	YWF.A4T-600S-5D   A00	/	/
/	/	YWF.A6S-600S-5D   A00	/	/
/	/	YWF.A6T-600S-5D   A00	/	/

### D 型网罩 Type D



### F1 型面板 Type F1



Type F1

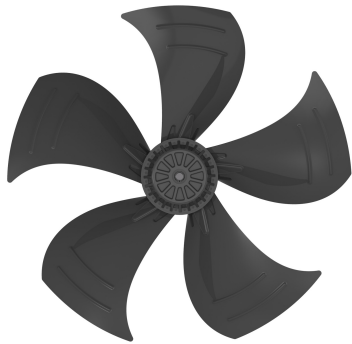
	电压 Voltage	频率 Frequency	电流 Current	功率 Power	转速 Speed	电容 Capacitor	风量 Air Flow (0 Pa)	噪音 Noise	曲线 Curve	运行温度 Working Temp.	认证 Approvals
	V	Hz	A	W	RPM	μF	[m <sup>3</sup> /h]/[CFM]	dB(A)	No.	Min/Max(°C)	
YWF.A4S-600S-5F   A01	220/230	50	3.80	800	1380	16	8950/5265	73	①	-30/+60	CCC, CE
	220/230	60	4.20	920	1640	16	10080/5929	75	②	-30/+60	CCC, CE, UL
YWF.A4T-600S-5F   A01	380/400	50	1.50	800	1350	/	10200/6000	73	③	-30/+60	CCC, CE
	380/400	60	2.00	1000	1550	/	11000/6490	76	④	-30/+60	CCC, CE, UL
YWF.A6S-600S-5F   A01	220/230	50	2.40	500	910	12	8733/5137	65	⑤	-30/+60	CCC, CE
	220/230	60	2.94	640	1080	12	9930/5841	70	⑧	-30/+60	CCC, CE, UL
YWF.A6T-600S-5F   A01	380/400	50	1.50	500	920	/	8860/5212	67	⑥	-30/+60	CCC, CE
	380/400	60	1.50	650	1070	/	9550/5618	69	⑦	-30/+60	CCC, CE, UL





常规金属叶片轴流风机  
Conventional Carbon Steel Blade Axial Fan

**ErP2015**  
EXCEEDS THE NORM



**Φ630-L**

转子材质 Rotor Material: 铸铝 Aluminum Die-casting

叶轮材质 Impeller Material: 碳钢 Carbon Steel

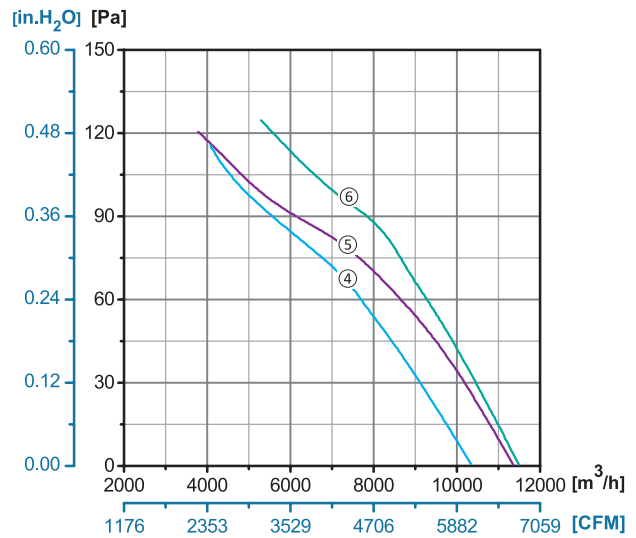
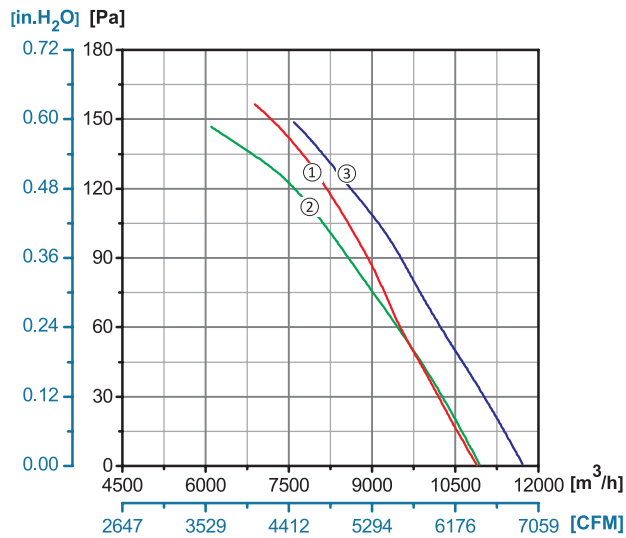
防护等级 Ingress Protection: IP54






绝缘等级 Insulation Class: F

轴承类型 Bearing Type: 免维护滚珠球轴承

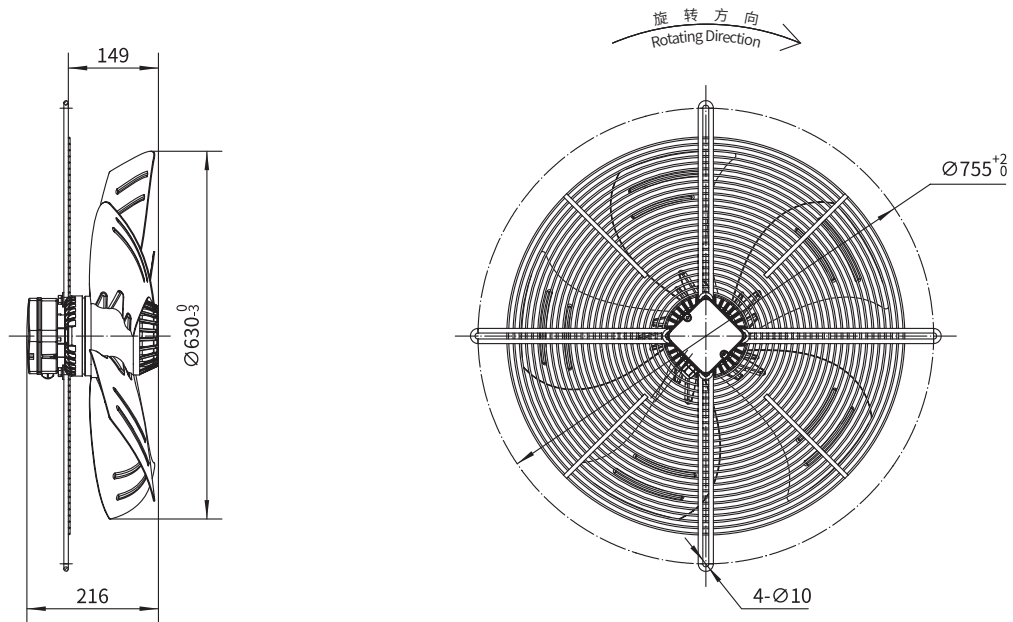
Maintenance Free Ball Bearing

性能曲线 Performance Curves

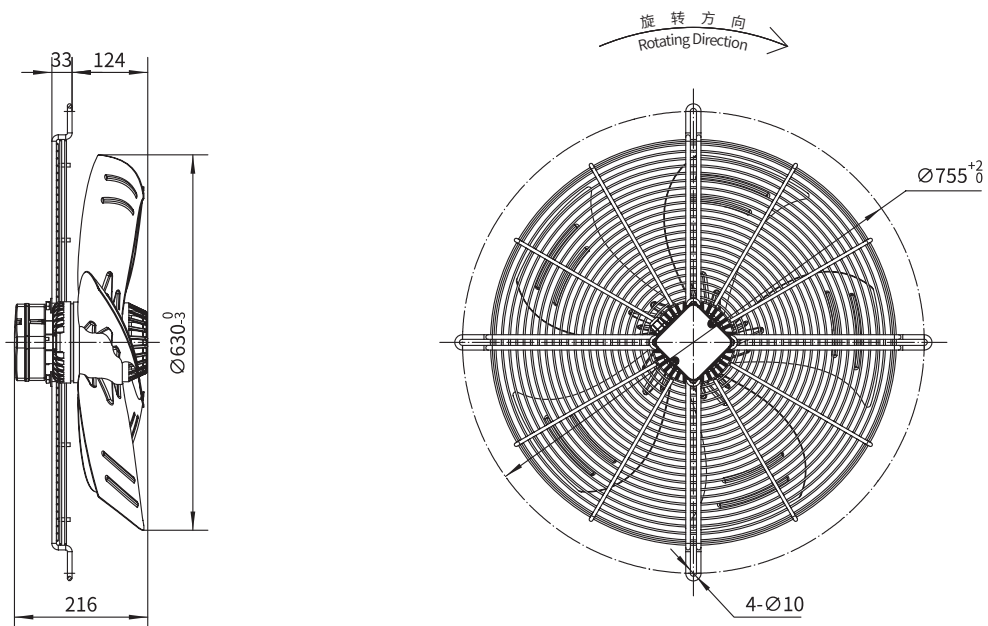


				
Type B	Type C	Type D	Type E	Type F0
YWF.A4S-630S-5B   A00	YWF.A4S-630S-5C   A00	YWF.A4S-630S-5E   A00	YWF.A4S-630S-5D   A00	YWF.A4S-630S-5F   A00
YWF.A4T-630S-5B   A00	YWF.A4T-630S-5C   A00	YWF.A4T-630S-5E   A00	YWF.A4T-630S-5D   A00	YWF.A4T-630S-5F   A00
YWF.A6S-630S-5B   A00	YWF.A6S-630S-5C   A00	YWF.A6S-630S-5E   A00	YWF.A6S-630S-5D   A00	YWF.A6S-630S-5F   A00
YWF.A6T-630S-5B   A00	YWF.A6T-630S-5C   A00	YWF.A6T-630S-5E   A00	YWF.A6T-630S-5D   A00	YWF.A6T-630S-5F   A00

### B 型网罩 Type B



### C 型网罩 Type C



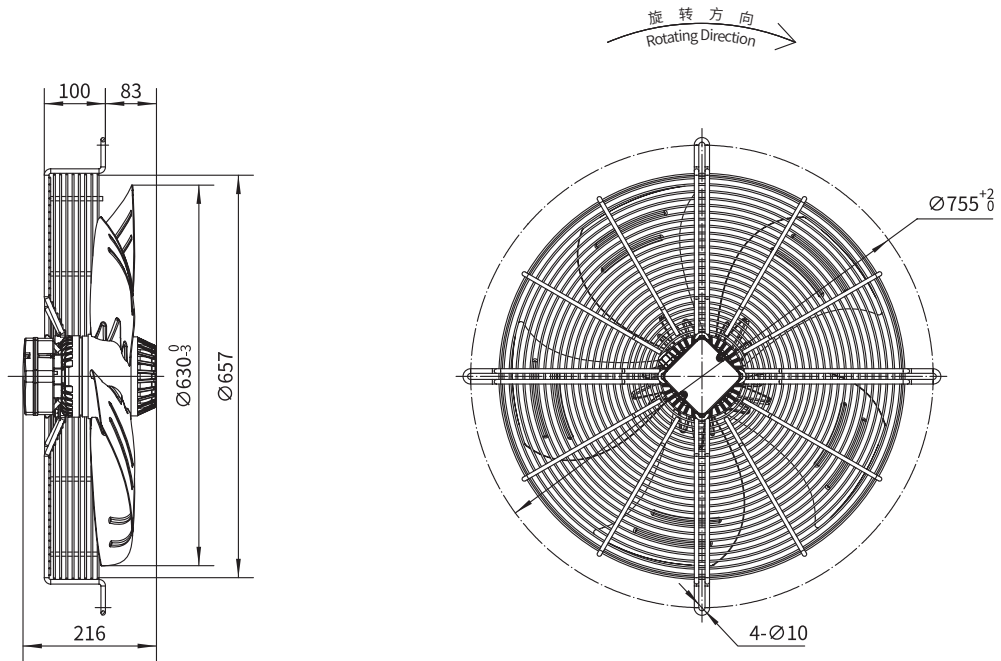
	电压 Voltage	频率 Frequency	电流 Current	功率 Power	转速 Speed	电容 Capacitor	风量 Air Flow (0 Pa)	噪音 Noise	曲线 Curve	运行温度 Working Temp.	认证 Approvals
Type F1	V	Hz	A	W	RPM	μF	[m³/h]/[CFM]	dB(A)	No.	Min/Max(°C)	
YWF.A4S-630S-5F   A01	220/230	50	3.70	800	1350	16	10940/6435	74	②	-30/+60	CCC, CE
	220/230	60	5.34	1150	1500	16	10890/6406	75	①	-30/+60	CCC, CE, UL
YWF.A4T-630S-5F   A01	380/400	50	1.60	850	1350	/	10890/6406	73	①	-30/+60	CCC, CE
	380/400	60	1.80	1010	1540	/	11700/6882	75	③	-30/+60	CCC, CE, UL
YWF.A6S-630S-5F   A01	220/230	50	2.50	520	900	12	10330/6076	67	④	-30/+60	CCC, CE
	220/230	60	3.25	705	1050	12	11360/6682	71	⑤	-30/+60	CCC, CE, UL
YWF.A6T-630S-5F   A01	380/400	50	1.40	550	900	/	10330/6076	67	④	-30/+60	CCC, CE
	380/400	60	1.56	740	1060	/	11500/6765	69	⑥	-30/+60	CCC, CE, UL



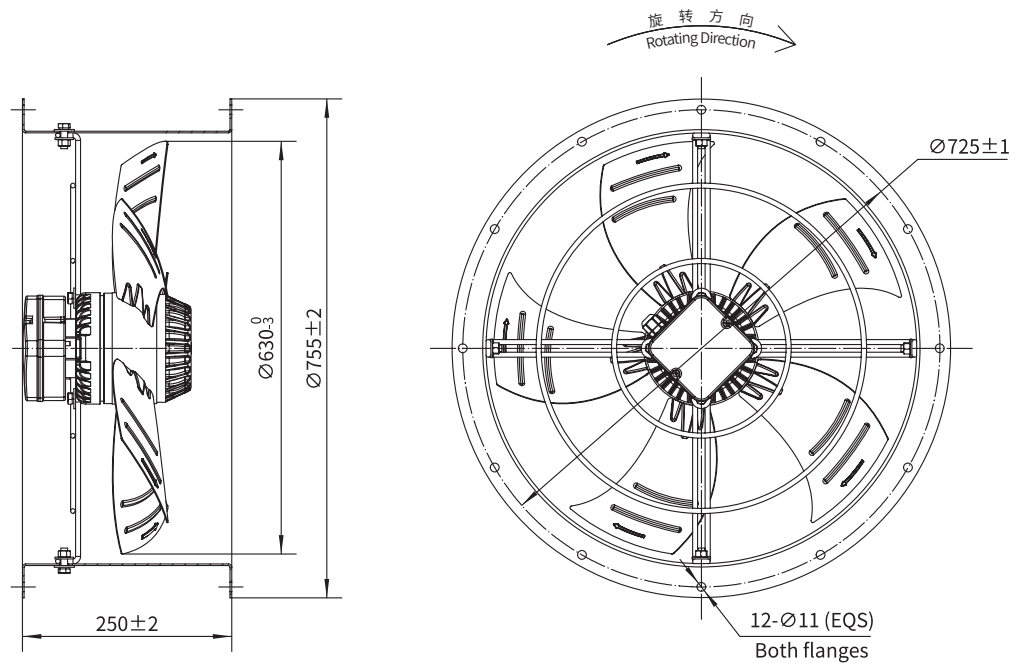
常规金属叶片轴流风机  
Conventional Carbon Steel Blade Axial Fan

Φ630-L

D 型网罩 Type D



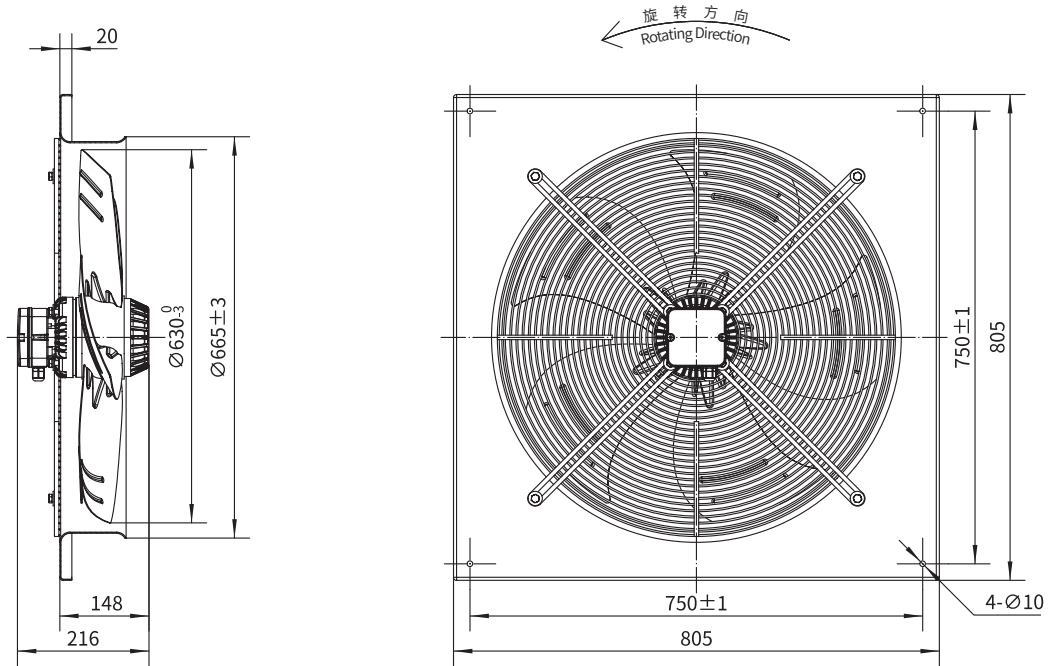
E 型导风筒 Type E



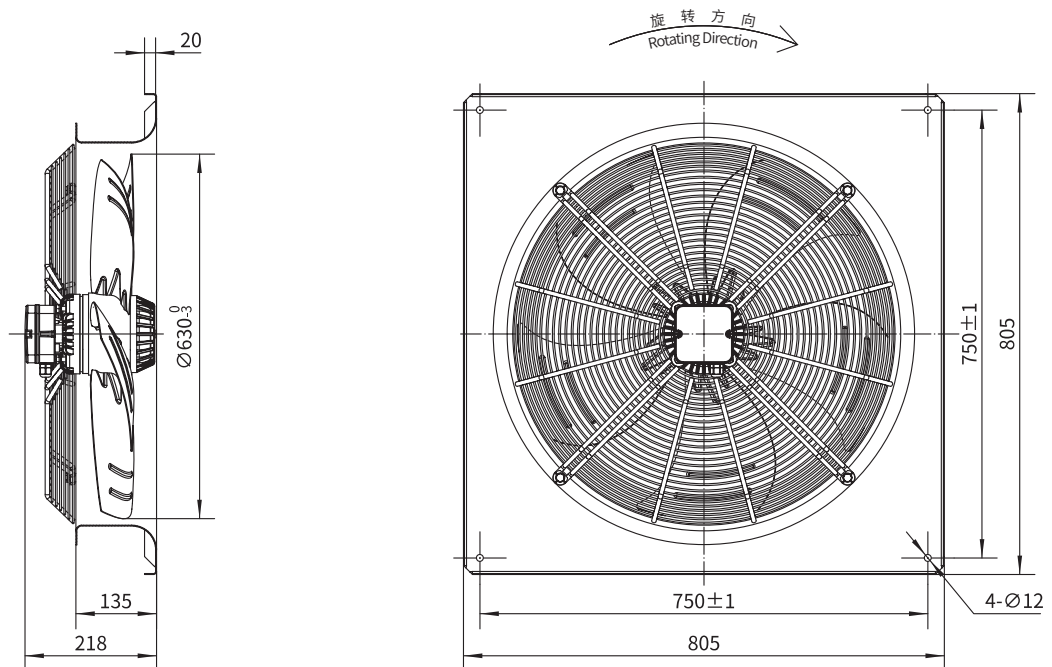
 **常规金属叶片轴流风机**  
**Conventional Carbon Steel Blade Axial Fan**

**Φ630-L**

**F0 型面板 Type F0**



**F1 型面板 Type F1**



常规金属叶片轴流风机  
Conv. Steel Blade Axial





常规金属叶片轴流风机  
Conventional Carbon Steel Blade Axial Fan

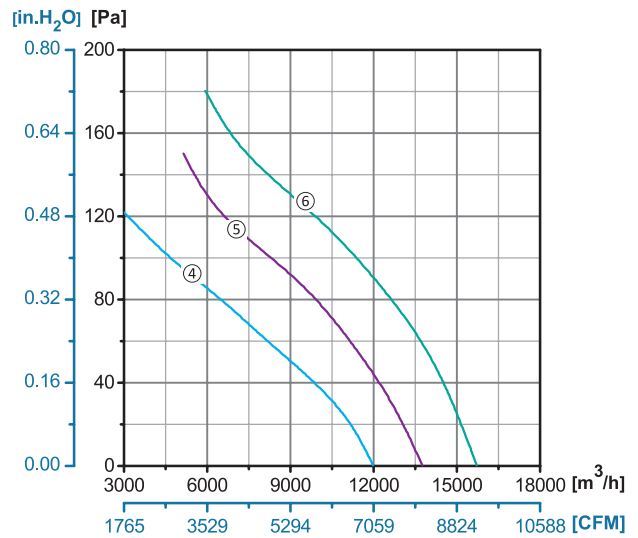
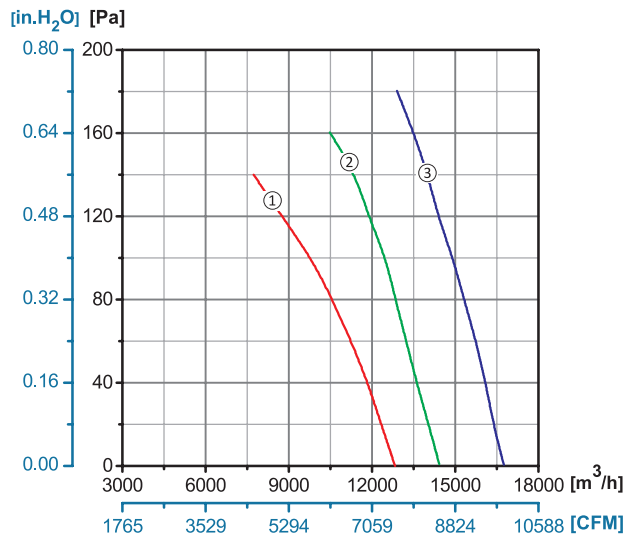
**ErP2015**  
EXCEEDS THE NORM








**Φ630-H**

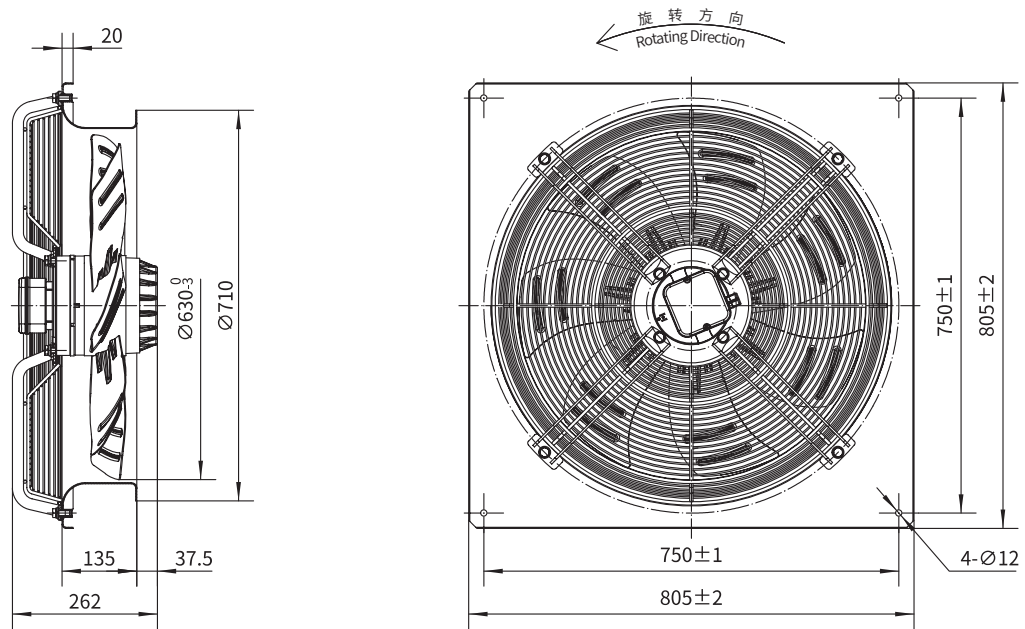
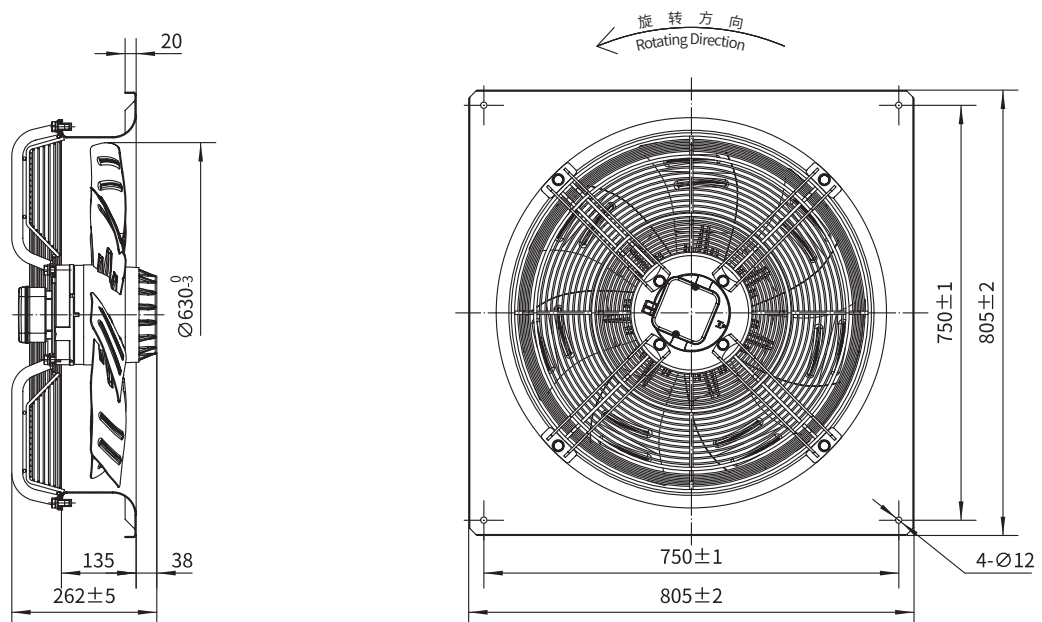
转子材质 Rotor Material: 铸铝 Aluminum Die-casting  
 叶轮材质 Impeller Material: 碳钢 Carbon Steel  
 防护等级 Ingress Protection: IP54  
 绝缘等级 Insulation Class: F  
 轴承类型 Bearing Type: 免维护滚珠球轴承  
 Maintenance Free Ball Bearing

性能曲线 Performance Curves



				
Type B	Type C	Type D	Type E	Type F0
/	/	/	/	YWF.A4T-630S-7F   S11
/	/	/	/	YWF.A6T-630S-7F   S11



**F0 型面板 Type F0**

**F1 型面板 Type F1**

 常规金属叶片轴流风机  
 Conv. Steel Blade Axial

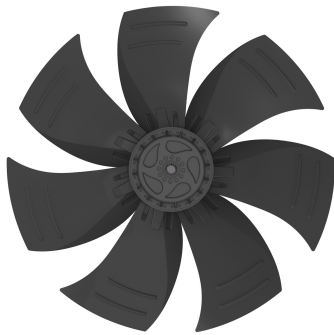

Type F1

	电压 Voltage	频率 Frequency	电流 Current	功率 Power	转速 Speed	电容 Capacitor	风量 Air Flow (0 Pa)	噪音 Noise	曲线 Curve	运行温度 Working Temp.	认证 Approvals
	V	Hz	A	W	RPM	$\mu\text{F}$	$[\text{m}^3/\text{h}]/[\text{CFM}]$	dB(A)	No.	Min/Max( $^{\circ}\text{C}$ )	
YWF.A4T-630S-7F   S10	380/400	50	2.50	1400	1400	/	14430/8488	76	②	-30/+60	CCC, CE
	380/400	50	1.70	1100	1200	/	12840/7553	74	①	-30/+60	CCC, CE
	380/400	60	3.00	1800	1650	/	16750/9853	78	③	-30/+60	CCC, CE
YWF.A6T-630S-7F   S10	380/400	50	2.00	900	940	/	13760/8094	73	⑤	-30/+60	CCC, CE
	380/400	50	1.15	700	825	/	12000/7059	69	④	-30/+60	CCC, CE
	380/400	60	2.20	1260	1070	/	15720/9247	77	⑥	-30/+60	CCC, CE



常规金属叶片轴流风机  
Conventional Carbon Steel Blade Axial Fan

**ErP2015**  
EXCEEDS THE NORM



**Φ710**

转子材质 Rotor Material: 铸铝 Aluminum Die-casting

叶轮材质 Impeller Material: 碳钢 Carbon Steel

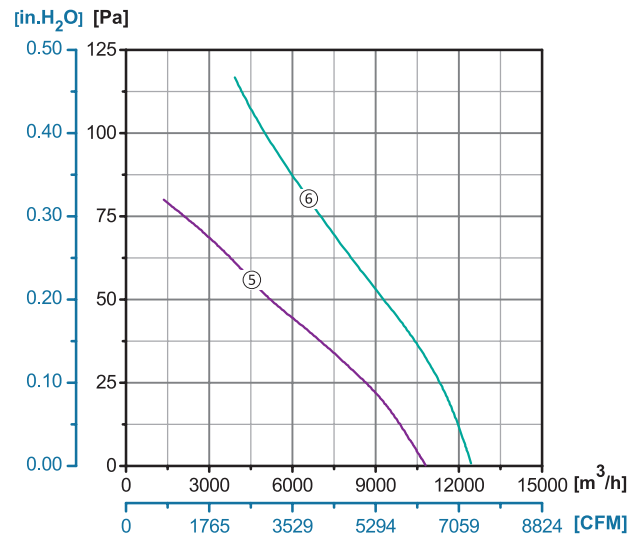
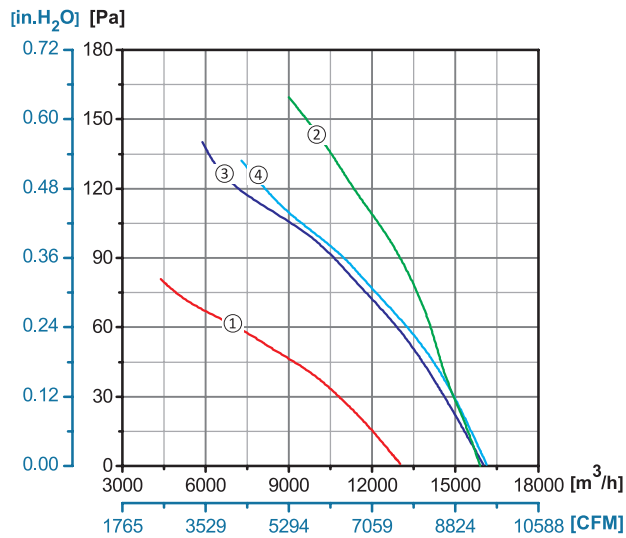
防护等级 Ingress Protection: IP54






绝缘等级 Insulation Class: F

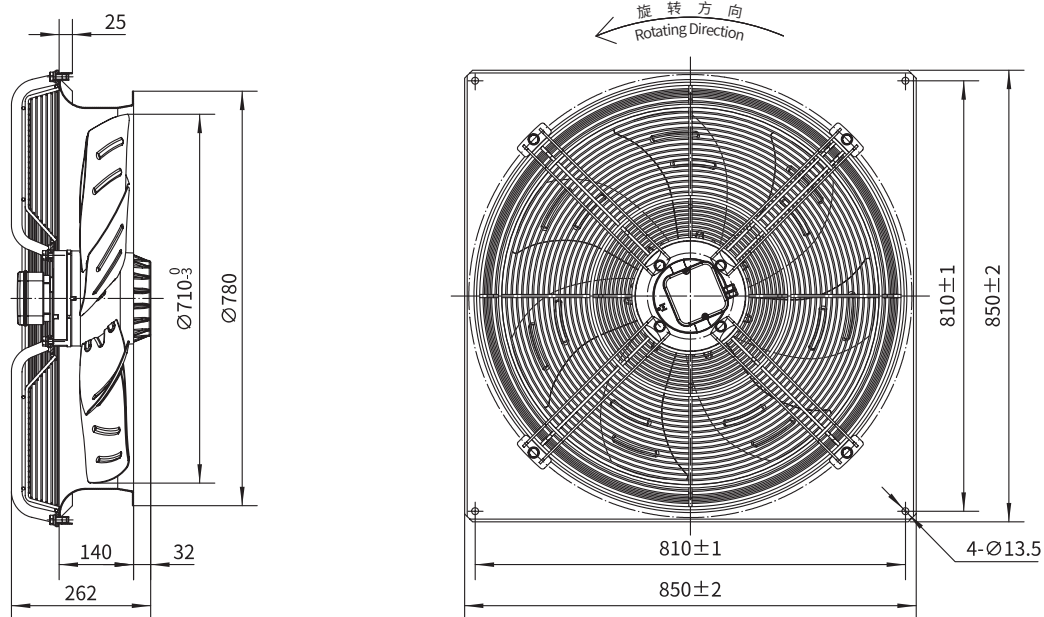
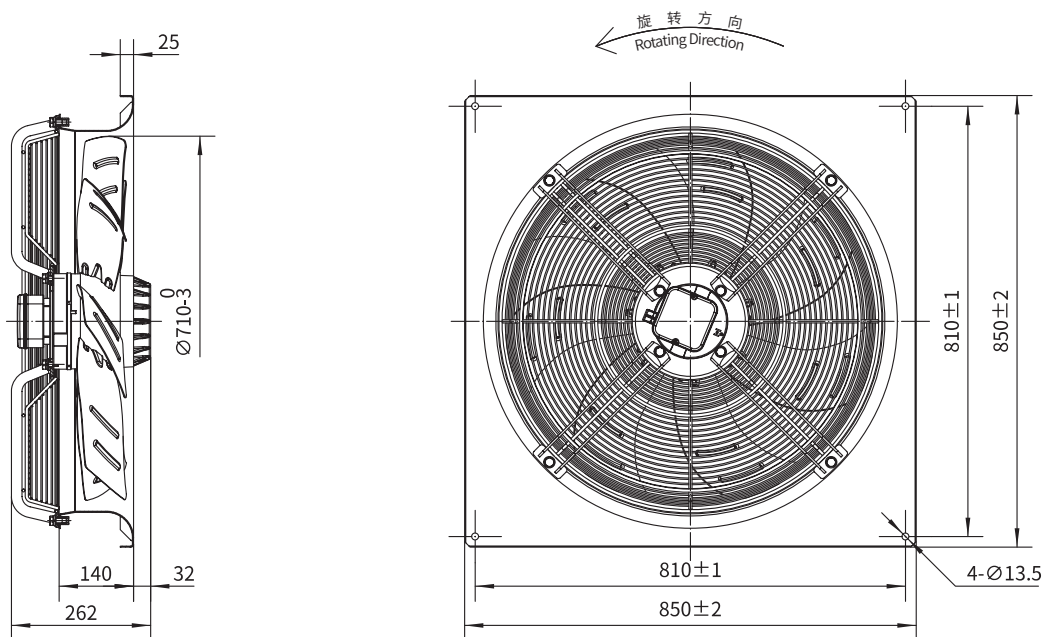
轴承类型 Bearing Type: 免维护滚珠球轴承

Maintenance Free Ball Bearing

性能曲线 Performance Curves



				
Type B	Type C	Type D	Type E	Type F0
/	/	/	/	YWF.A6T-710S-7F   S11
/	/	/	/	YWF.A8T-710S-7F   S11
/	/	/	/	YWF.A6T-710S-7F   V11

**F0 型面板 Type F0**

**F1 型面板 Type F1**

 常规金属叶片轴流风机  
 Conv. Steel Blade Axial


Type F1

	电压 Voltage	频率 Frequency	电流 Current	功率 Power	转速 Speed	电容 Capacitor	风量 Air Flow (0 Pa)	噪音 Noise	曲线 Curve	运行温度 Working Temp.	认证 Approvals
	V	Hz	A	W	RPM	$\mu\text{F}$	$[\text{m}^3/\text{h}]/[\text{CFM}]$	dB(A)	No.	Min/Max( $^{\circ}\text{C}$ )	
YWF.A6T-710S-7F   S10	380/400	50	2.30	1100	920	/	16020/9424	75	③	-30/+60	CCC, CE
	380/400	50	1.40	800	780	/	13000/7647	68	①	-30/+60	CCC, CE
	380/400	60	1.80	1000	1050	/	15900/9353	78	②	-30/+60	CCC, CE, UL
YWF.A8T-710S-7F   S10	380/400	50	1.28	450	700	/	12500/7353	70	⑤	-30/+60	CCC, CE
	380/400	50	0.63	340	610	/	10800/6353	66	⑥	-30/+60	CCC, CE
YWF.A6T-710S-7F   V10	200/230	50	3.40	1100	900	/	16140/9494	75	④	-30/+60	CCC, CE
	380/400	50	2.00	1100	900	/	16140/9494	75	④	-30/+60	CCC, CE





常规金属叶片轴流风机  
Conventional Carbon Steel Blade Axial Fan

**ErP2015**  
EXCEEDS THE NORM



**Φ800**

转子材质 Rotor Material: 铸铝 Aluminum Die-casting

叶轮材质 Impeller Material: 碳钢 Carbon Steel

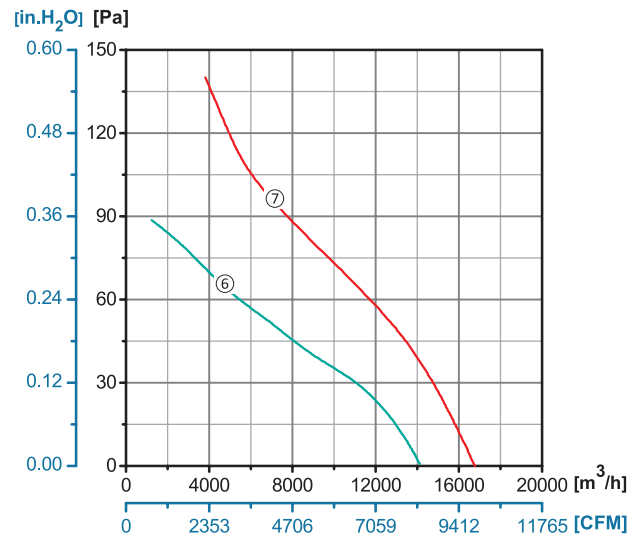
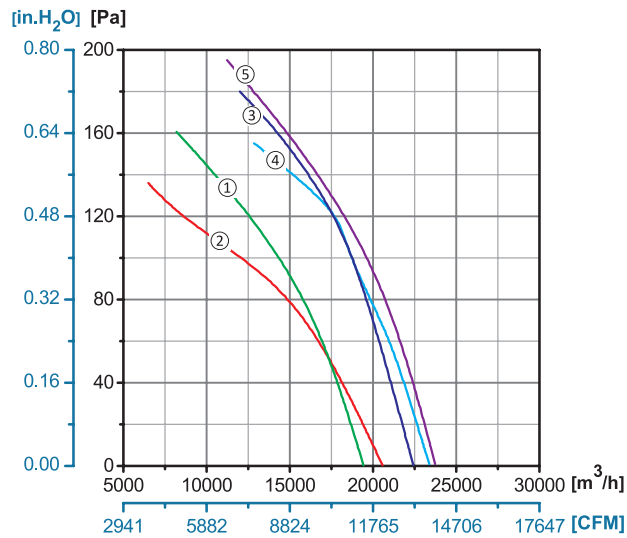
防护等级 Ingress Protection: IP54






绝缘等级 Insulation Class: F

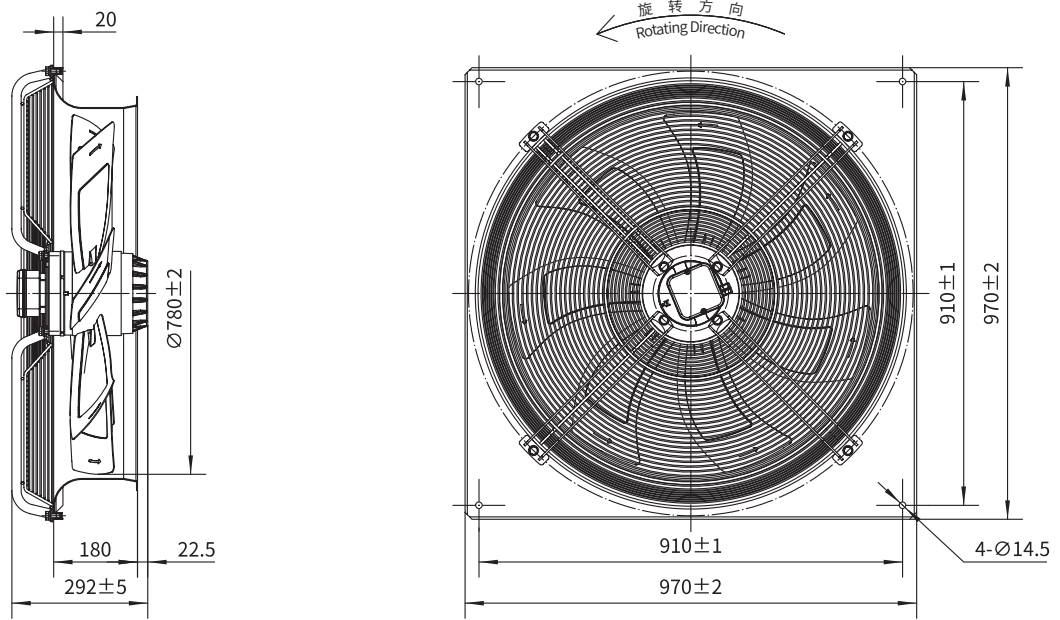
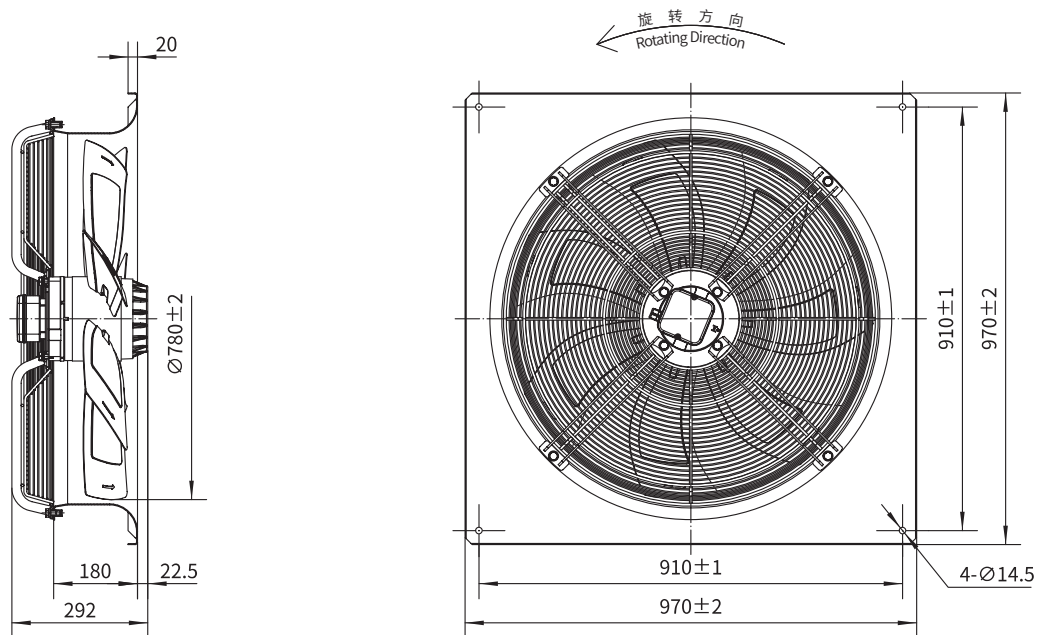
轴承类型 Bearing Type: 免维护滚珠球轴承

Maintenance Free Ball Bearing

性能曲线 Performance Curves



				
Type B	Type C	Type D	Type E	Type F0
/	/	/	/	YWF.A6T-800S-7F   S11
/	/	/	/	YWF.A6T-800S-7F   S11
/	/	/	/	YWF.A8T-800S-7F   S11
/	/	/	/	YWF.A6T-800S-7F   V11

**F0 型面板 Type F0**

**F1 型面板 Type F1**

 常规金属叶片轴流风机  
 Conv. Steel Blade Axial


Type F1

	电压 Voltage	频率 Frequency	电流 Current	功率 Power	转速 Speed	电容 Capacitor	风量 Air Flow (0 Pa)	噪音 Noise	曲线 Curve	运行温度 Working Temp.	认证 Approvals
	V	Hz	A	W	RPM	$\mu\text{F}$	$[\text{m}^3/\text{h}]/[\text{CFM}]$	$\text{dB(A)}$	No.	Min/Max( $^{\circ}\text{C}$ )	
YWF.A6T-800S-7F   S10	380/400	50	3.20	1400	900	/	23400/13765	80	④	-30/+60	CCC, CE
	380/400	50	1.90	1100	750	/	20600/12118	76	②	-30/+60	CCC, CE
YWF.A6T-800S-7F   S10	380/400	60	3.40	1750	1050	/	24000/14118	80	⑤	-30/+60	CCC, CE
	380/400	50	1.50	650	670	/	16800/9882	74	⑥	-30/+60	CCC, CE
YWF.A8T-800S-7F   S10	380/400	50	0.80	450	510	/	14130/8312	70	⑦	-30/+60	CCC, CE
	220/230	50	5.20	1200	950	/	19500/11470	75	①	-30/+60	CCC, CE
YWF.A6T-800S-7F   V10	220/230	60	5.70	1800	1050	/	22500/13275	78	③	-30/+60	CCC, CE
	380/400	50	3.00	1200	950	/	19500/11470	75	①	-30/+60	CCC, CE
	380/400	60	3.40	1800	1050	/	22500/13275	78	③	-30/+60	CCC, CE





常规金属叶片轴流风机  
Conventional Carbon Steel Blade Axial Fan

**ErP2015**  
EXCEEDS THE NORM



**Φ900**

转子材质 Rotor Material: 铸铝 Aluminum Die-casting

叶轮材质 Impeller Material: 碳钢 Carbon Steel

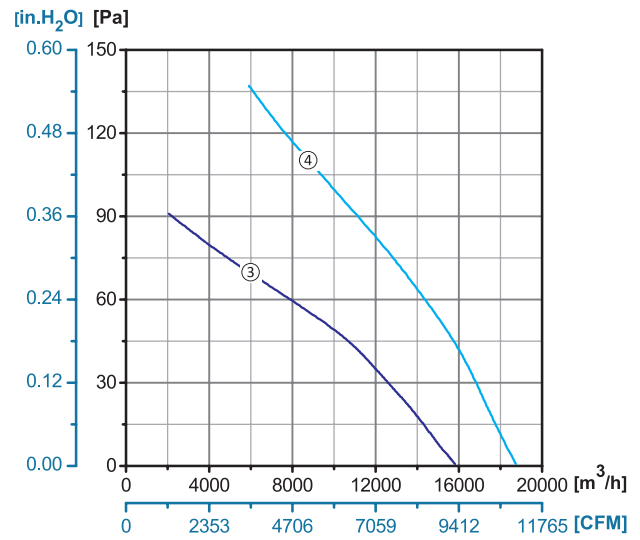
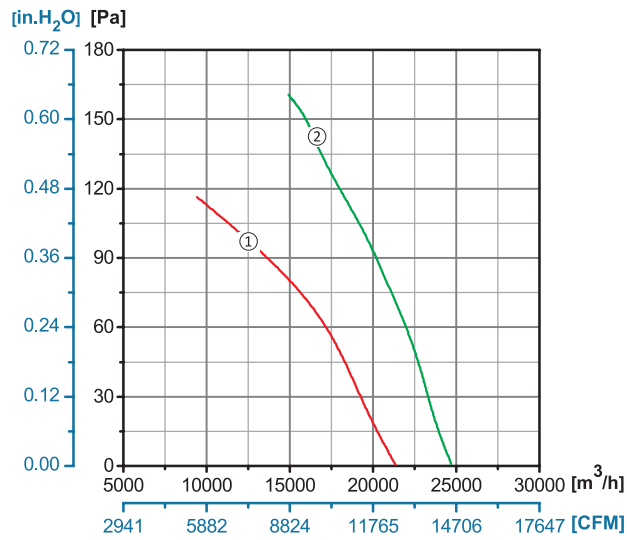
防护等级 Ingress Protection: IP54






绝缘等级 Insulation Class: F

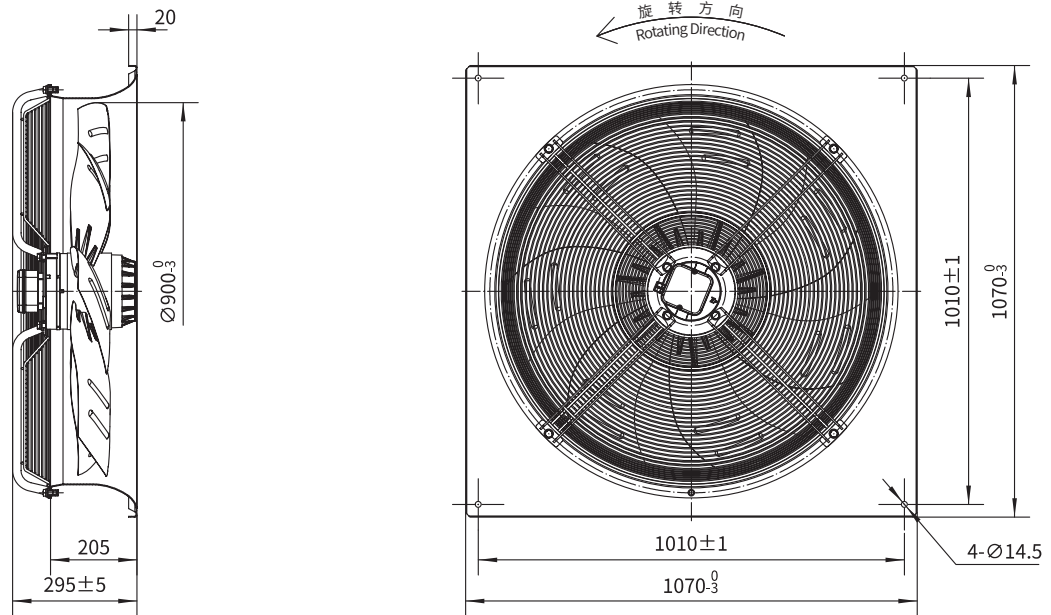
轴承类型 Bearing Type: 免维护滚珠球轴承

Maintenance Free Ball Bearing

性能曲线 Performance Curves



				
Type B	Type C	Type D	Type E	Type F0
/	/	/	/	/
/	/	/	/	/

**F1 型面板 Type F1**

 常规金属叶片轴流风机  
 Conv. Steel Blade Axial

	电压 Voltage	频率 Frequency	电流 Current	功率 Power	转速 Speed	电容 Capacitor	风量 Air Flow (0 Pa)	噪音 Noise	曲线 Curve	运行温度 Working Temp.	认证 Approvals
Type F1	V	Hz	A	W	RPM	μF	[m <sup>3</sup> /h]/[CFM]	dB(A)	No.	Min/Max(°C)	
YWF.A6T-900S-7F   S10	380/400	50	3.20	1500	930	/	25000/14750	81	②	-30/+60	CCC, CE
	380/400	50	2.00	1150	800	/	21000/12390	78	①	-30/+60	CCC, CE
YWF.A8T-900S-7F   S10	380/400	50	2.20	850	700	/	18730/11018	76	④	-30/+60	CCC, CE
	380/400	50	1.10	600	550	/	15800/9294	72	③	-30/+60	CCC, CE



# 离心风机系列 Centrifugal Fan Series

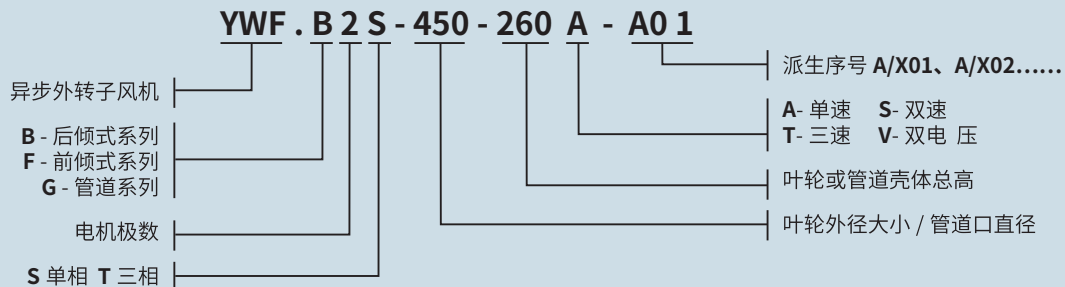









## 离心风机产品介绍

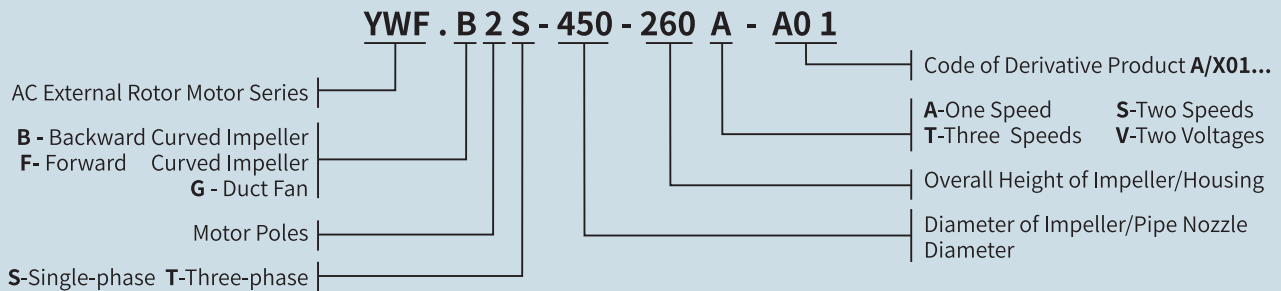
### 1. 型号命名






2. 外转子离心风机系列产品具有结构紧凑、运行可靠、噪声低、安装方便、节能高效等特点。
3. 外转子离心风机分为单相异步电容运转和三相异步运转两种。广泛应用于冷凝器、蒸发器、冷水机、空调内机、IT 通讯、FFU、新风系统等领域。
4. 外转子电机启动电流小，电机防护等级可达 IP54，绝缘等级为 F 级。
5. 电机内部设有热保护器，使用环境为 -30℃ ~60℃。
6. 单相电容运转电机的电源有 230V 50Hz/60Hz 和 115V 60Hz，三相电机的电源有 400V 50Hz/60Hz，460V 60Hz。我们可根据客户要求定制生产不同电压、频率的电机。
7. 外转子风机可以通过变压和变频实现无级变速；三相电机可以通过转换 Y/△接线方式实现两种不同转速，单相电机可采用抽头调速可以实现多种转速；可控硅调速可以手动调节，通过改变电压实现无级调速。
8. 若客户只需电机（不带风轮和支架等）用于驱动离心风机时，应提供电机工作点的转速、功率和安装尺寸等，最好能提供风轮和蜗壳用于调试电机。
9. 风量曲线测试是在空气密度为 1.2kg/m<sup>3</sup>、温度为 20℃的条件下进行的，符合国家的标准测试要求。
10. 风机的噪音测试数据为声压级，根据国标要求，在进风口一米处测得。
11. 顿力外转子风机使用深沟滚珠球轴承。根据应用场合和周围环境的不同，平均寿命按 L10 标准在 30000 与 50000 小时之间。
12. 我司所生产的电机风机产品均通过  和  认证，绝大部分通过了  认证。
13. 此样本册中所标示的产品信息可能会有变更，仅供产品初步选型使用，具体以业务代表所提供的《产品规格书》为准。

# Centrifugal Fan Product Introduction

## 1. Nomenclature



2. The YWF series of external rotor motor powered centrifugal fans have the characteristics of compact structure, reliable operation, low noise, easy installation and high efficiency, etc.
3. There are single-phase and three-phase power supplies available for the external rotor motor powered centrifugal fans. And the centrifugal fans are widely used in the industries of air conditioning terminal system, IT & Telecom, FFU, Fresh air system and ventilation, etc.
4. The YWF series of external rotor motors have low start current, and are IP44/IP54 and class F evaluated.
5. There's a built-in thermal protector for single-phase motor, and the motor can be operated in the temperature range from -30 to 60 degrees Celsius. If the customer needs built-in thermal protector for three-phase motor, please specify while placing the order.
6. The nominal inputs for single-phase motors are 115V/60Hz and 230V, 50/60Hz, and for three-phase motor are 400V, 50/60Hz and 460V/60Hz. voltage and frequency can be accommodated based on customer's requirements.
7. The speed of YWF series of motors can be controlled by a transformer or VFD. We also can change the speed by changing motor's Delta wiring and Star wiring for three-phase motors, and by using winding tap speed regulation for single-phase motors.
8. The working point parameters (such as speed, power) and mounting dimensions are needed if the customer orders only the motor for their own application. In order to get an ideal motor performance, we would prefer an impeller and a housing for doing research and test if the customer is going to use the motor for powering their own impeller.
9. The aerodynamic tests of Dunli fans are under the condition of 1.2kg/m<sup>3</sup> air density and 20 degrees Celsius ambient temperature as per the requirements of National Testing Standards .
10. The noise defined for Dunli motor fans is referring to sound pressure level. The distance of sensor is 1m away from the inlet hose according to the Requirements of National Testing Standards.
11. The type of bearing used on the motors is Maintenance Free Ball Bearing, and the average life rating is L10 which is between 30,000 to 50,000 hours based on different operating conditions.
12. Dunli external rotor motor powered fans are  and  approved, and most of them are  registered.
13. All data shown on this catalogue subject to change and are for the purpose of product preliminary selection, please check with your Sales Rep and refer to Product Specification provided.





## 复翼塑料叶轮后倾离心风机

Backward Curved Centrifugal Fan with Aileron Impeller







## 复翼塑料叶轮后倾离心风机 Backward Curved Centrifugal Fan with Aileron Impeller



# Φ 190

转子材质 Rotor Material: 铸铝 Aluminum Die-casting

叶轮材质 Impeller Material: 塑料 Plastic

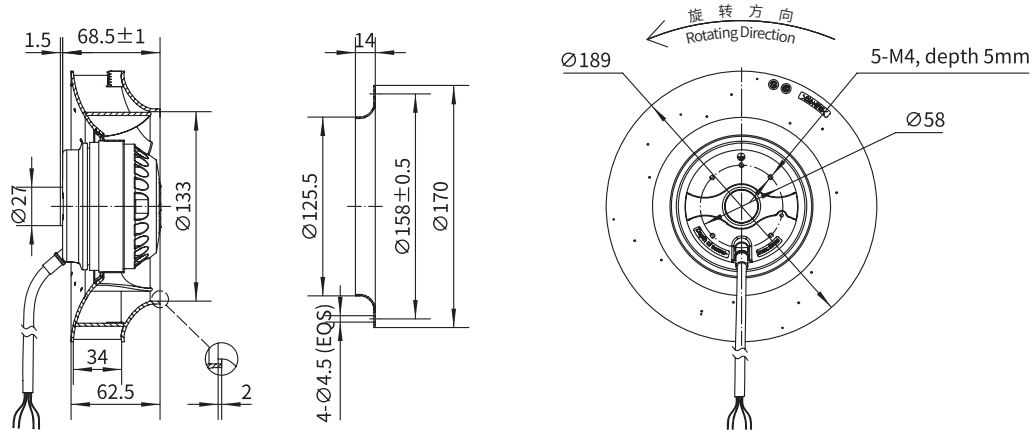
防护等级 Ingress Protection: IP44

绝缘等级 Insulation Class: F

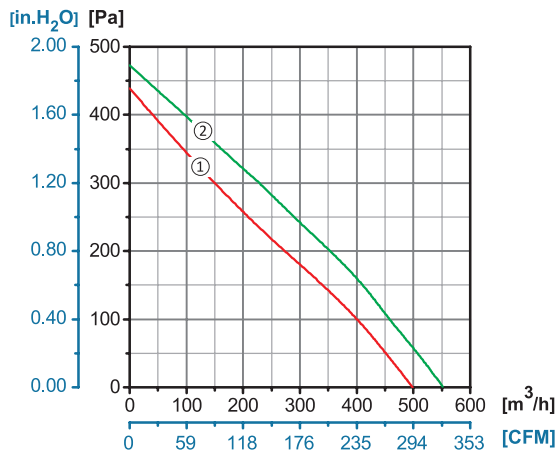
轴承类型 Bearing Type: 免维护滚珠球轴承

Maintenance Free Ball Bearing

### 产品尺寸图 Dimensional Drawings



### 性能曲线 Performance Curves



产品型号 Model No.	电压 Voltage	频率 Frequency	电流 Current	功率 Power	转速 Speed	电容 Capacitor	风量 Air Flow (0 Pa)	噪音 Noise	曲线 Curve	运行温度 Working Temp.	认证 Approvals
	V	Hz	A	W	RPM	μF	[m³/h]/[CFM]	dB(A)	No.	Min/Max (°C)	
YWF.B2S-190-060AB2A	110/120	60	0.75	85	2760	8	550/323	71	②	-30/+60	UL
YWF.B2S-190-060AB20	220/230	60	0.35	75	2500	2.5	500/294	67	①	-30/+60	UL



## 复翼塑料叶轮后倾离心风机 Backward Curved Centrifugal Fan with Aileron Impeller



# Φ 220

转子材质 Rotor Material: 铸铝 Aluminum Die-casting

叶轮材质 Impeller Material: 塑料 Plastic

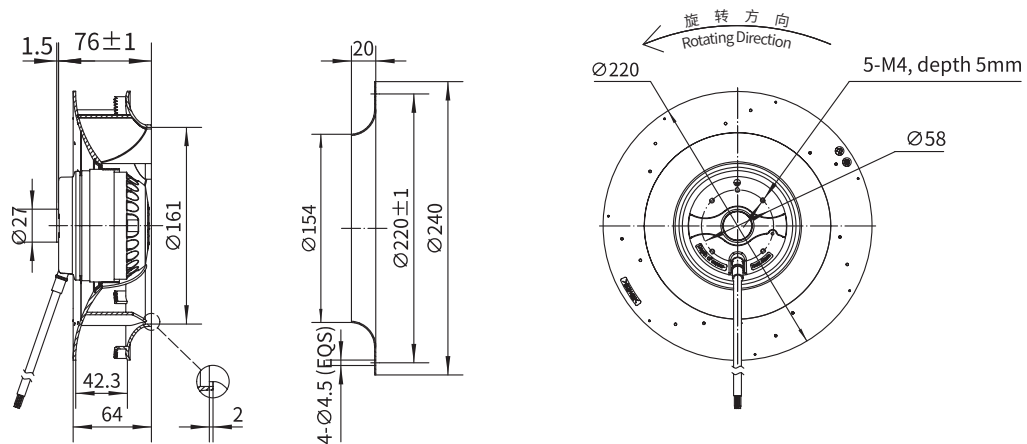
防护等级 Ingress Protection: IP44

绝缘等级 Insulation Class: F

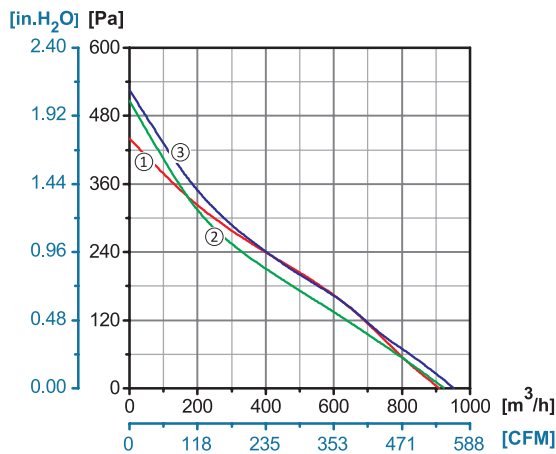
轴承类型 Bearing Type: 免维护滚珠球轴承

Maintenance Free Ball Bearing

### 产品尺寸图 Dimensional Drawings



### 性能曲线 Performance Curves



产品型号 Model No.	电压 Voltage	频率 Frequency	电流 Current	功率 Power	转速 Speed	电容 Capacitor	风量 Air Flow (0 Pa)	噪音 Noise	曲线 Curve	运行温度 Working Temp.	认证 Approvals
	V	Hz	A	W	RPM	μF	[m³/h]/[CFM]	dB(A)	No.	Min/Max (°C)	
YWF.B2S-220-065AB2B	110/120	60	0.93	110	2630	10	955/561	75	③	-30/+60	
YWF.B2S-220-065AB22	220/230	50	0.37	80	2450	3	910/535	71	①	-30/+60	CCC, CE
	220/230	60	0.49	105	2520	3	920/540	72	②	-30/+60	CE



## 复翼塑料叶轮后倾离心风机 Backward Curved Centrifugal Fan with Aileron Impeller



### Φ 225

转子材质 Rotor Material: 铸铝 Aluminum Die-casting

叶轮材质 Impeller Material: 塑料 Plastic

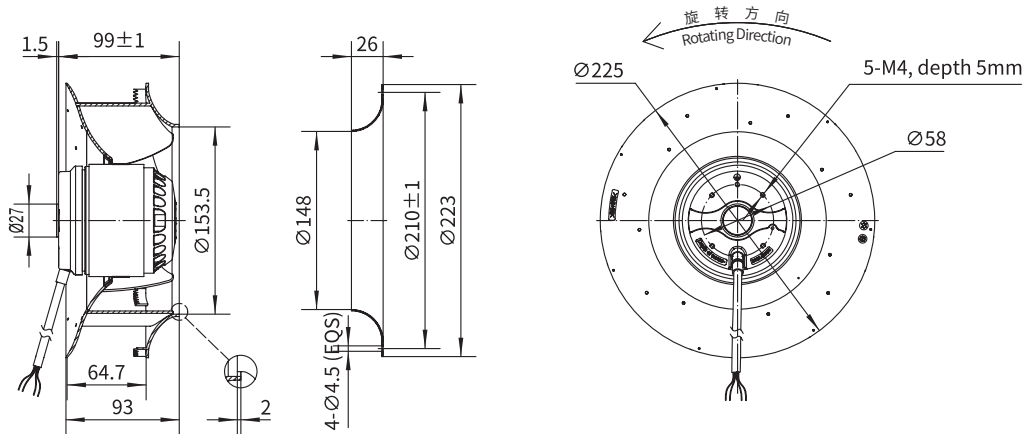
防护等级 Ingress Protection: IP44

绝缘等级 Insulation Class: F

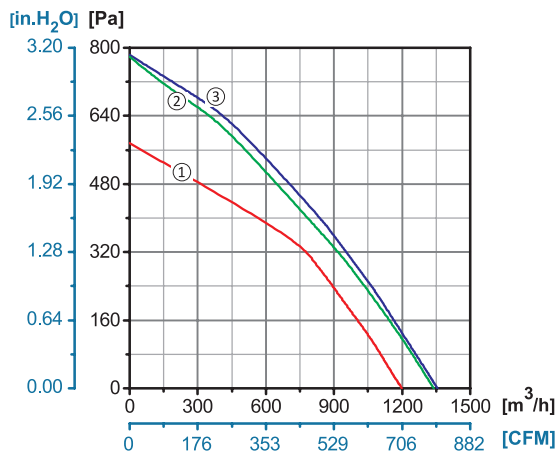
轴承类型 Bearing Type: 免维护滚珠球轴承

Maintenance Free Ball Bearing

### 产品尺寸图 Dimensional Drawings



### 性能曲线 Performance Curves



产品型号 Model No.	电压 Voltage	频率 Frequency	电流 Current	功率 Power	转速 Speed	电容 Capacitor	风量 Air Flow (0 Pa)	噪音 Noise	曲线 Curve	运行温度 Working Temp.	认证 Approvals
	V	Hz	A	W	RPM	µF	[m³/h]/[CFM]	dB(A)	No.	Min/Max (°C)	
YWF.B2S-225-089AB2A	110/120	60	1.91	196	2880	28	1340/788	79	②	-30/+60	
YWF.B2S-225-089AB20	220/230	50	0.62	136	2780	7	1200/630	76	①	-30/+60	CCC, CE
	220/230	60	0.99	202	3180	7	1360/800	80	③	-30/+60	CE





## 复翼塑料叶轮后倾离心风机 Backward Curved Centrifugal Fan with Aileron Impeller



### Φ 250

转子材质 Rotor Material: 铸铝 Aluminum Die-casting

叶轮材质 Impeller Material: 塑料 Plastic

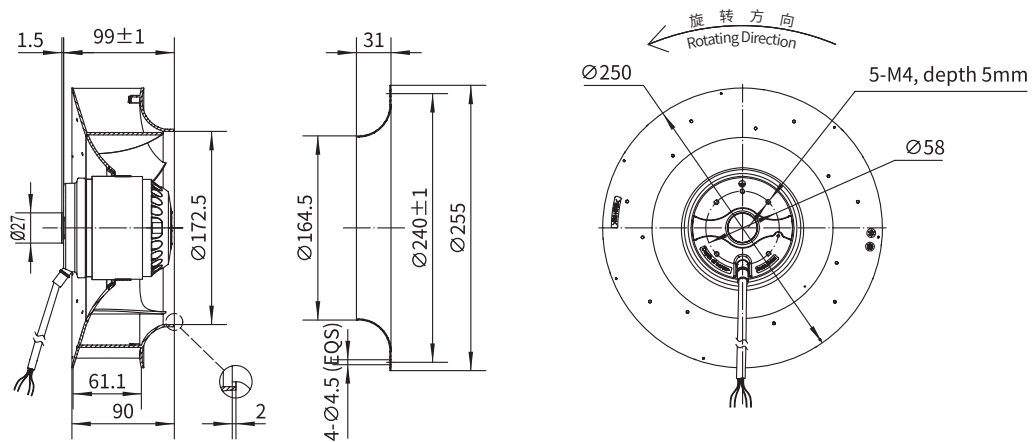
防护等级 Ingress Protection: IP44

绝缘等级 Insulation Class: F

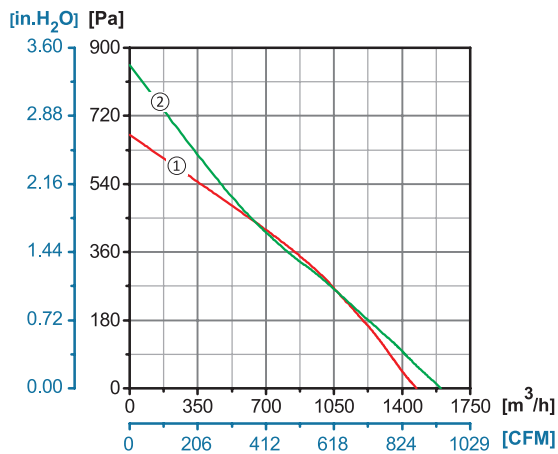
轴承类型 Bearing Type: 免维护滚珠球轴承

Maintenance Free Ball Bearing

### 产品尺寸图 Dimensional Drawings



### 性能曲线 Performance Curves



产品型号 Model No.	电压 Voltage	频率 Frequency	电流 Current	功率 Power	转速 Speed	电容 Capacitor	风量 Air Flow (0 Pa)	噪音 Noise	曲线 Curve	运行温度 Working Temp.	认证 Approvals
	V	Hz	A	W	RPM	μF	[m³/h]/[CFM]	dB(A)	No.	Min/Max (°C)	
YWF.B2S-250-090AB2A	110/120	60	2.1	229	2840	28	1600/920	82	②	-30/+60	
YWF.B2S-250-090AB20	220/230	50	0.75	160	2600	7	1475/850	79	①	-30/+60	CCC, CE
	220/230	60	1.10	230	2780	7	1600/920	82	②	-30/+60	CE



## 常规塑料叶轮后倾离心风机

Backward Curved Centrifugal Fan with Conventional Plastic Impeller







## 常规塑料叶轮后倾离心风机 Backward Curved Centrifugal Fan with Conventional Plastic Impeller



# Φ 133

转子材质 Rotor Material: 铸铝 Aluminum Die-casting

叶轮材质 Impeller Material: 塑料 Plastic

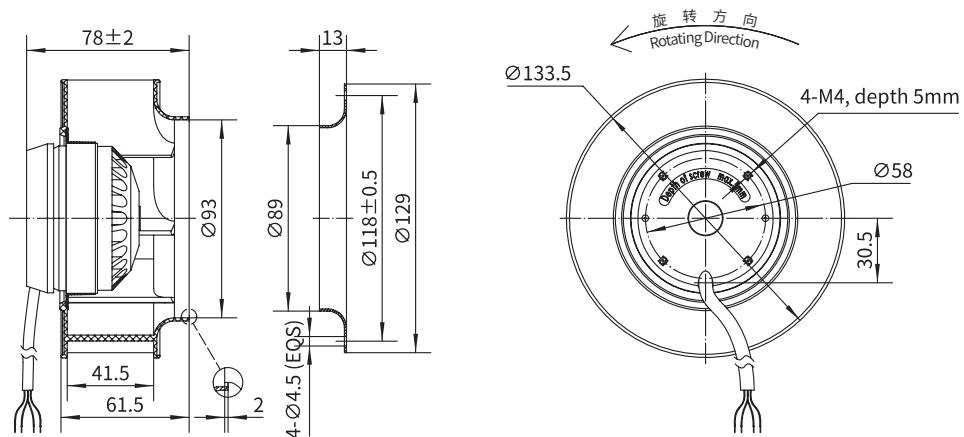
防护等级 Ingress Protection: IP44

绝缘等级 Insulation Class: F

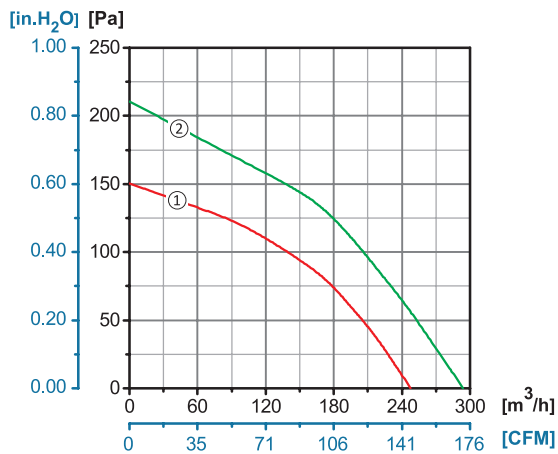
轴承类型 Bearing Type: 免维护滚珠球轴承

Maintenance Free Ball Bearing

### 产品尺寸图 Dimensional Drawings



### 性能曲线 Performance Curves



产品型号 Model No.	电压 Voltage	频率 Frequency	电流 Current	功率 Power	转速 Speed	电容 Capacitor	风量 Air Flow (0 Pa)	噪音 Noise	曲线 Curve	运行温度 Working Temp.	认证 Approvals
	V	Hz	A	W	RPM	μF	[m <sup>3</sup> /h]/[CFM]	dB(A)	No.	Min/Max (°C)	
YWF.B2S-133-060AB0A	110/120	60	0.26	30	3150	4	280/160	60	②	-30/+60	UL
YWF.B2S-133-060AB00	220/230	50	0.12	25	2750	2.5	220/130	54	①	-30/+60	CCC, CE
	220/230	60	0.10	23	3200	2.5	280/160	60	②	-30/+60	CE



## 常规塑料叶轮后倾离心风机 Backward Curved Centrifugal Fan with Conventional Plastic Impeller



# Φ 175

转子材质 Rotor Material: 铸铝 Aluminum Die-casting

叶轮材质 Impeller Material: 塑料 Plastic

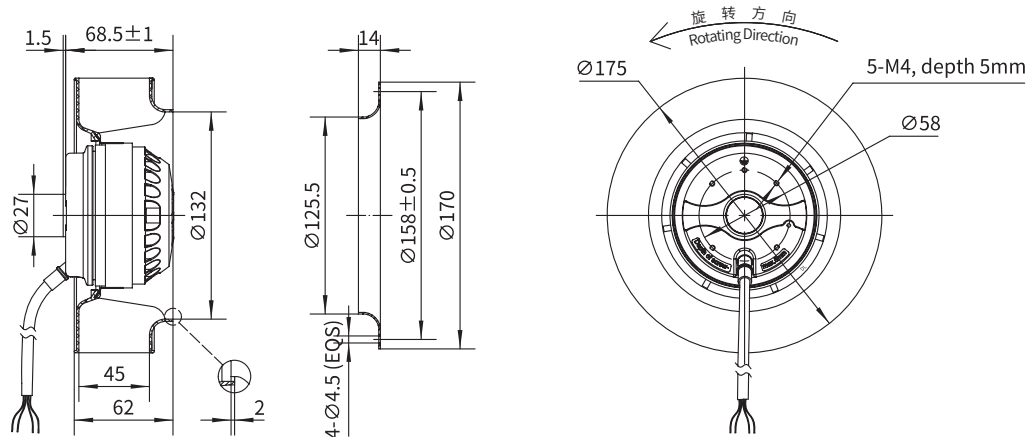
防护等级 Ingress Protection: IP44

绝缘等级 Insulation Class: F

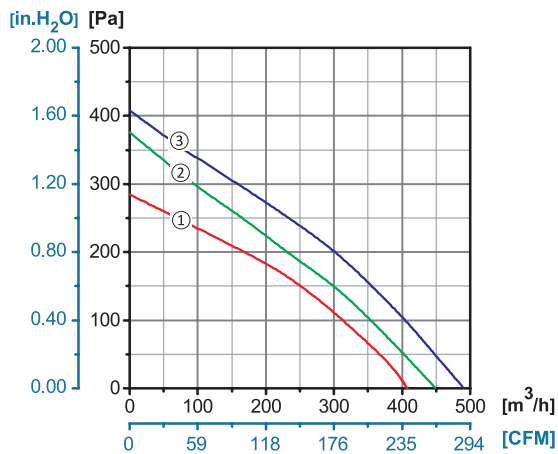
轴承类型 Bearing Type: 免维护滚珠球轴承

Maintenance Free Ball Bearing

### 产品尺寸图 Dimensional Drawings



### 性能曲线 Performance Curves



产品型号 Model No.	电压 Voltage	频率 Frequency	电流 Current	功率 Power	转速 Speed	电容 Capacitor	风量 Air Flow (0 Pa)	噪音 Noise	曲线 Curve	运行温度 Working Temp.	认证 Approvals
	V	Hz	A	W	RPM	μF	[m³/h]/[CFM]	dB(A)	No.	Min/Max (°C)	
YWF.B2S-175-060AB2A	110/120	60	0.52	62	2970	6	490/290	68	③	-30/+60	
YWF.B2S-175-060AB20	220/230	50	0.20	45	2550	2	410/245	63	①	-30/+60	CCC, CE
	220/230	60	0.27	56	2750	2	450/265	65	②	-30/+60	CE



## 常规塑料叶轮后倾离心风机 Backward Curved Centrifugal Fan with Conventional Plastic Impeller



# Φ 180

转子材质 Rotor Material: 铸铝 Aluminum Die-casting

叶轮材质 Impeller Material: 塑料 Plastic

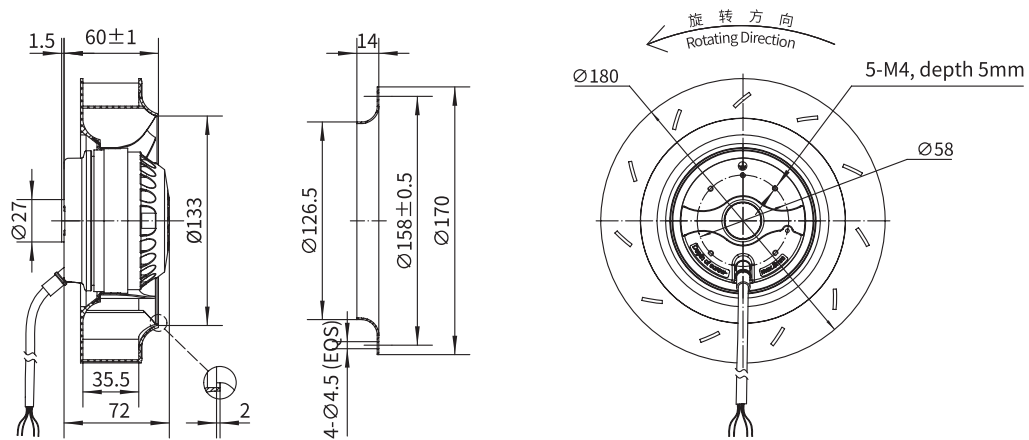
防护等级 Ingress Protection: IP44

绝缘等级 Insulation Class: F

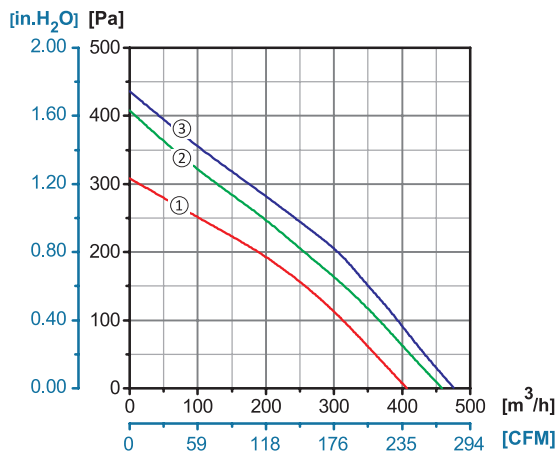
轴承类型 Bearing Type: 免维护滚珠球轴承

Maintenance Free Ball Bearing

### 产品尺寸图 Dimensional Drawings



### 性能曲线 Performance Curves



产品型号 Model No.	电压 Voltage	频率 Frequency	电流 Current	功率 Power	转速 Speed	电容 Capacitor	风量 Air Flow (0 Pa)	噪音 Noise	曲线 Curve	运行温度 Working Temp.	认证 Approvals
	V	Hz	A	W	RPM	μF	[m³/h]/[CFM]	dB(A)	No.	Min/Max (°C)	
YWF.B2S-180-047AB2A	110/120	60	0.50	60	3050	8	480/280	68	③	-30/+60	
YWF.B2S-180-047AB20	220/230	50	0.19	40	2580	2	420/255	65	①	-30/+60	CCC, CE
	220/230	60	0.26	53	2850	2	470/275	67	②	-30/+60	CE



## 常规塑料叶轮后倾离心风机 Backward Curved Centrifugal Fan with Conventional Plastic Impeller



# Φ 190

转子材质 Rotor Material: 铸铝 Aluminum Die-casting

叶轮材质 Impeller Material: 塑料 Plastic

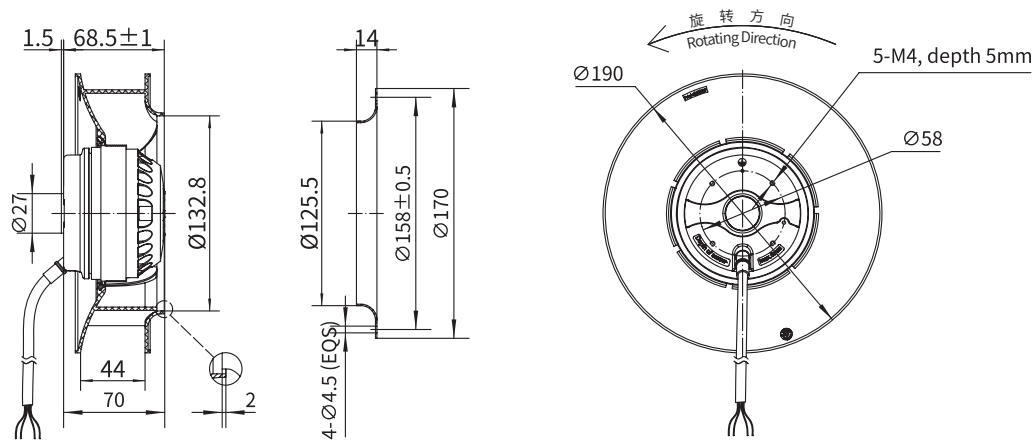
防护等级 Ingress Protection: IP44

绝缘等级 Insulation Class: F

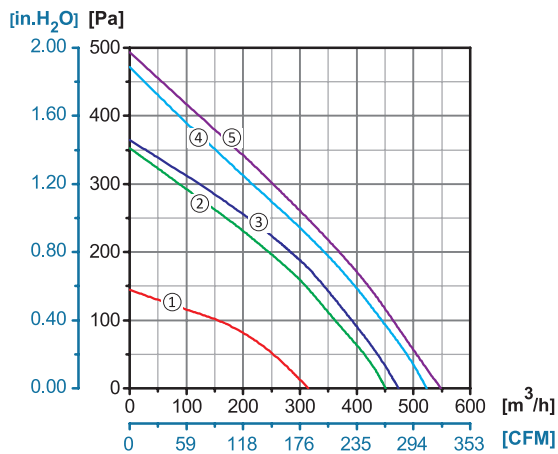
轴承类型 Bearing Type: 免维护滚珠球轴承

Maintenance Free Ball Bearing

### 产品尺寸图 Dimensional Drawings



### 性能曲线 Performance Curves



产品型号 Model No.	电压 Voltage	频率 Frequency	电流 Current	功率 Power	转速 Speed	电容 Capacitor	风量 Air Flow (0 Pa)	噪音 Noise	曲线 Curve	运行温度 Working Temp.	认证 Approvals
	V	Hz	A	W	RPM	μF	[m³/h]/[CFM]	dB(A)	No.	Min/Max (°C)	
YWF.B2S-190-060AB2C	110/120	60	0.75	85	2760	8	520/306	70	④	-30/+60	UL
YWF.B4S-190-060AB20	220/230	60	0.14	30	1610	1	305/179	58	①	-30/+60	
YWF.B2S-190-060AB00	220/230	50	0.31	68	2600	3	480/282	68	③	-30/+60	CCC, CE
	220/230	60	0.41	85	2900	3	550/320	70	⑤	-30/+60	CE
YWF.B2T-190-060AB00	380/400	50	0.13	58	2460	/	450/265	67	②	-30/+60	CCC, CE
	380/400	60	0.13	70	2620	/	480/282	68	③	-30/+60	CE



## 常规塑料叶轮后倾离心风机 Backward Curved Centrifugal Fan with Conventional Plastic Impeller



### Φ 220

转子材质 Rotor Material: 铸铝 Aluminum Die-casting

叶轮材质 Impeller Material: 塑料 Plastic

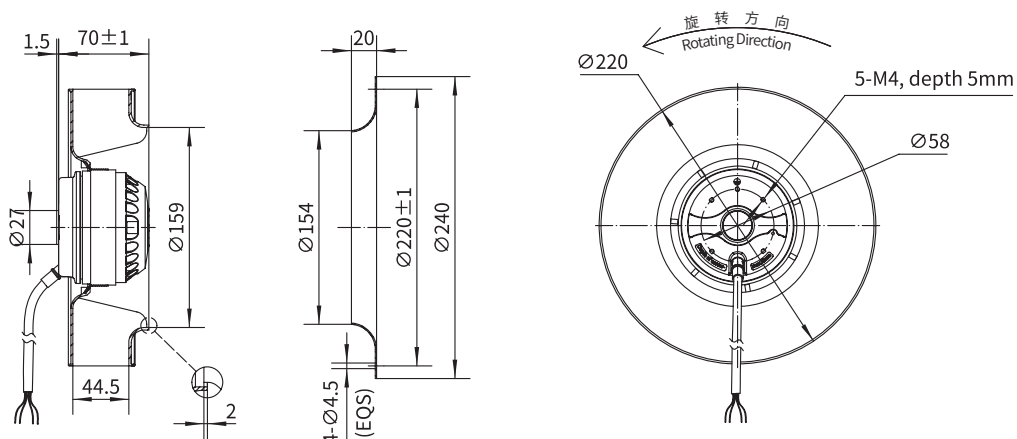
防护等级 Ingress Protection: IP44

绝缘等级 Insulation Class: F

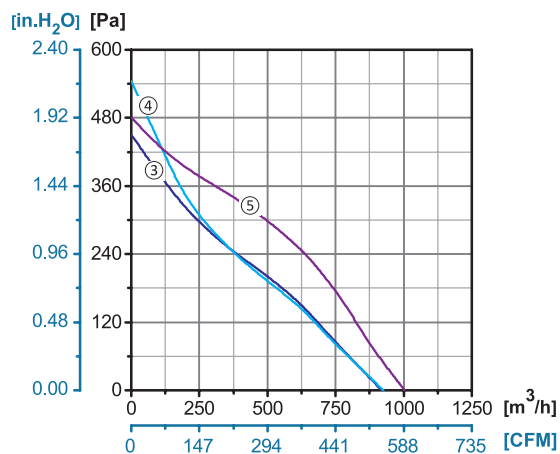
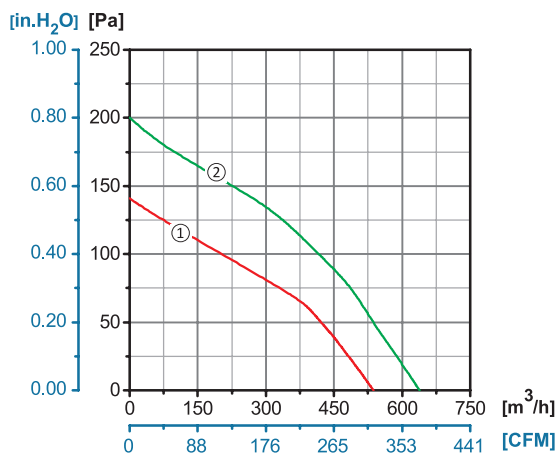
轴承类型 Bearing Type: 免维护滚珠球轴承

Maintenance Free Ball Bearing

### 产品尺寸图 Dimensional Drawings



### 性能曲线 Performance Curves



产品型号 Model No.	电压 Voltage	频率 Frequency	电流 Current	功率 Power	转速 Speed	电容 Capacitor	风量 Air Flow (0 Pa)	噪音 Noise	曲线 Curve	运行温度 Working Temp.	认证 Approvals
	V	Hz	A	W	RPM	μF	[m³/h]/[CFM]	dB(A)	No.	Min/Max (°C)	
YWF.B2S-220-065AB2A	110/120	60	0.94	110	2540	10	910/535	72	③	-30/+60	
YWF.B2S-220-065AB20	220/230	50	0.37	80	2410	3	910/535	70	③	-30/+60	CCC, CE
	220/230	60	0.49	105	2475	3	920/540	71	④	-30/+60	CE
YWF.B4S-220-065AB20	220/230	50	0.26	43	1440	1.5	530/311	60	①	-30/+60	CCC, CE
	220/230	60	0.19	41	1730	1.5	630/370	62	②	-30/+60	CE
YWF.B2T-220-065AB00	380/400	50	0.23	90	2660	/	1000/585	73	⑤	-30/+60	CCC, CE







## 常规塑料叶轮后倾离心风机 Backward Curved Centrifugal Fan with Conventional Plastic Impeller



### Φ 225

转子材质 Rotor Material: 铸铝 Aluminum Die-casting

叶轮材质 Impeller Material: 塑料 Plastic

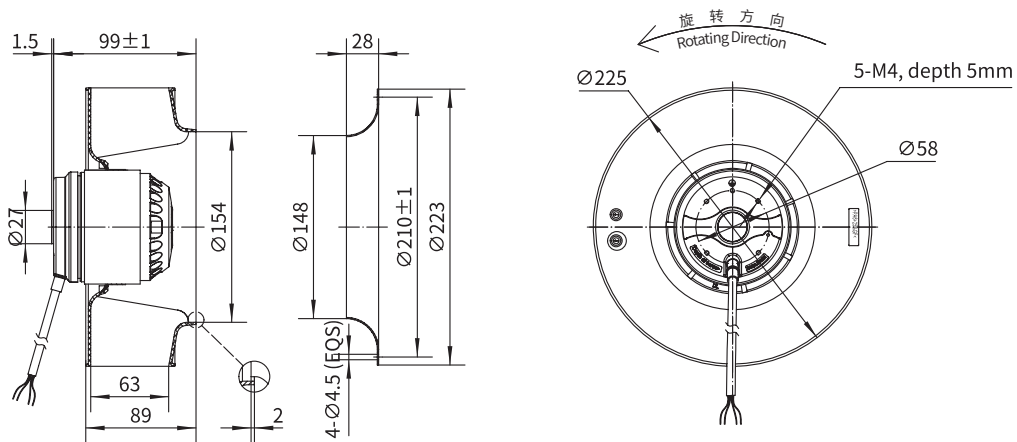
防护等级 Ingress Protection: IP44

绝缘等级 Insulation Class: F

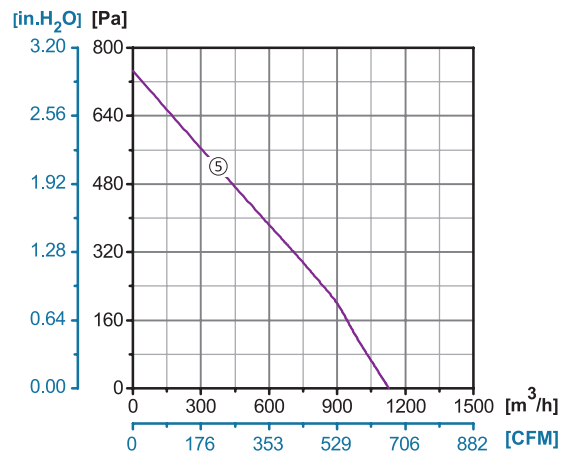
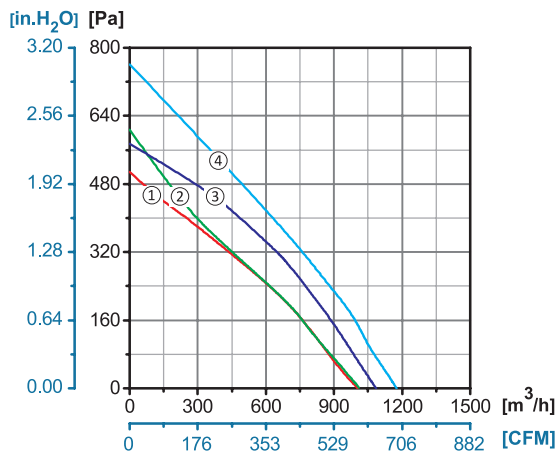
轴承类型 Bearing Type: 免维护滚珠球轴承

Maintenance Free Ball Bearing

### 产品尺寸图 Dimensional Drawings



### 性能曲线 Performance Curves



产品型号 Model No.	电压 Voltage	频率 Frequency	电流 Current	功率 Power	转速 Speed	电容 Capacitor	风量 Air Flow (0 Pa)	噪音 Noise	曲线 Curve	运行温度 Working Temp.	认证 Approvals
	V	Hz	A	W	RPM	μF	[m³/h]/[CFM]	dB(A)	No.	Min/Max (°C)	
YWF.B2S-225-089AB2B	110/120	60	2.07	230	2880	28	1130/664	80	⑤	-30/+60	
YWF.B2S-225-089AB21	220/230	50	0.66	145	2465	6	1085/638	76	③	-30/+60	CCC, CE
	220/230	60	0.96	205	2890	6	1175/691	78	④	-30/+60	CE
YWF.B2T-225-089AB20	380/400	50	0.20	115	2390	/	1005/591	71	①	-30/+60	CCC, CE
	380/400	60	0.26	156	2460	/	1010/594	72	②	-30/+60	CE


**常规塑料叶轮后倾离心风机**
**Backward Curved Centrifugal Fan with Conventional Plastic Impeller**


# Φ 250

转子材质 Rotor Material: 铸铝 Aluminum Die-casting

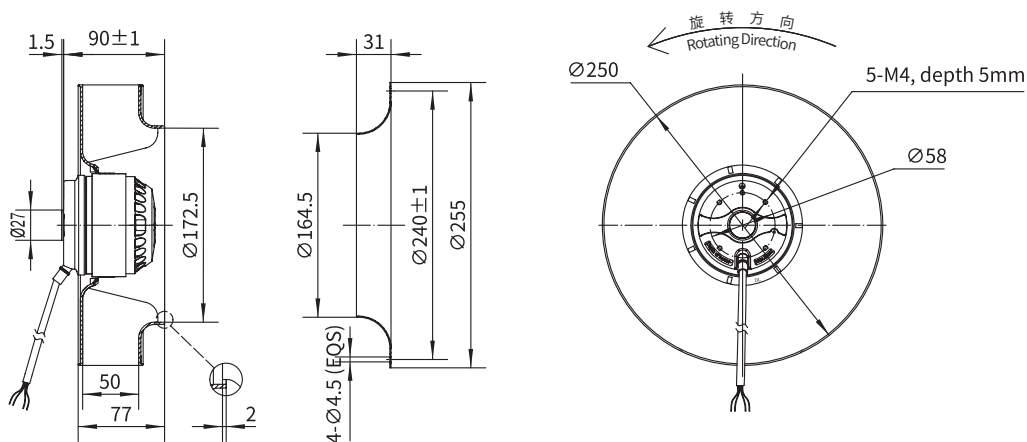
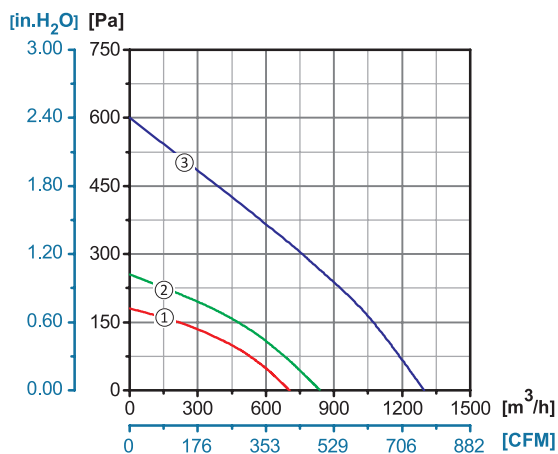
叶轮材质 Impeller Material: 塑料 Plastic

防护等级 Ingress Protection: IP44

绝缘等级 Insulation Class: F

轴承类型 Bearing Type: 免维护滚珠球轴承

Maintenance Free Ball Bearing

**产品尺寸图 Dimensional Drawings**

**性能曲线 Performance Curves**


产品型号 Model No.	电压 Voltage	频率 Frequency	电流 Current	功率 Power	转速 Speed	电容 Capacitor	风量 Air Flow (0 Pa)	噪音 Noise	曲线 Curve	运行温度 Working Temp.	认证 Approvals
	V	Hz	A	W	RPM	µF	[m <sup>3</sup> /h]/[CFM]	dB(A)	No.	Min/Max (°C)	
YWF.B2S-250-077AB21	220/230	50	0.76	167	2620	7	1300/765	74.5	③	-30/+60	CCC, CE
YWF.B4S-250-077AB20	220/230	50	0.26	50	1400	2	710/410	59	①	-30/+60	CCC, CE
	220/230	60	0.26	60	1650	2	840/485	63	②	-30/+60	CE

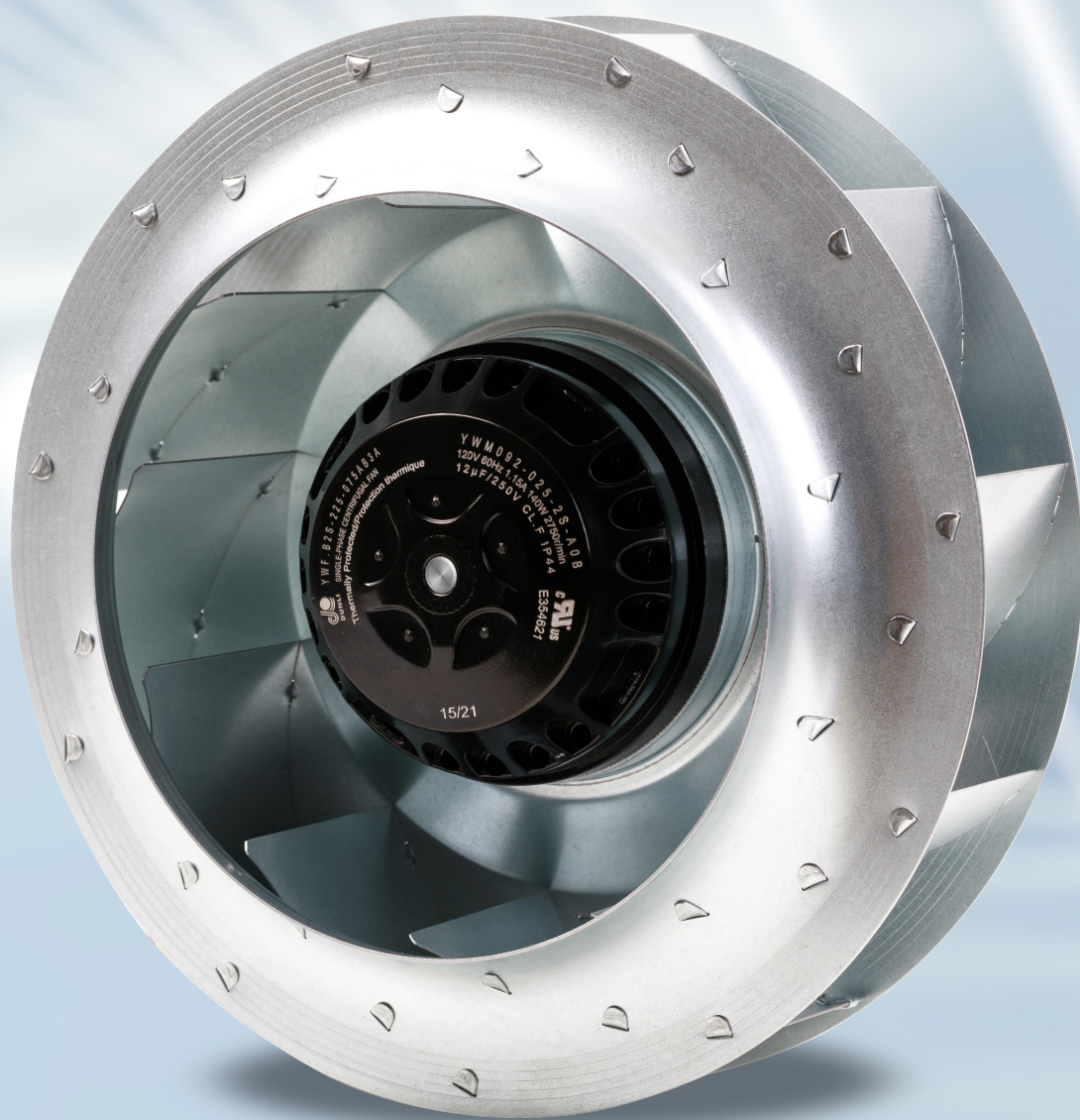




## 常规金属叶轮后倾离心风机

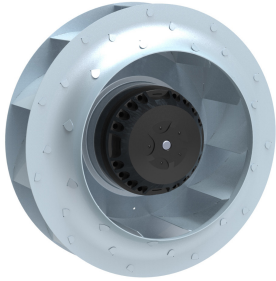
Backward Curved Centrifugal Fan with Conventional Metal Impeller







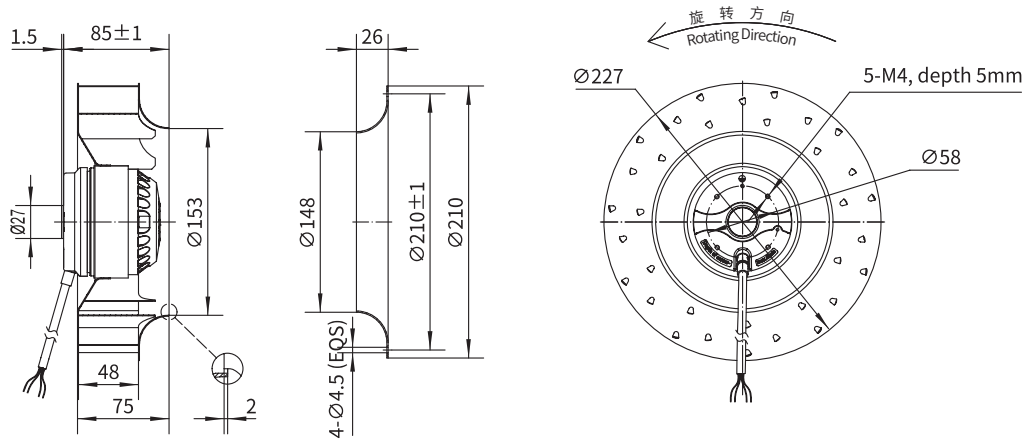
## 常规金属叶轮后倾离心风机 Backward Curved Centrifugal Fan with Conventional Metal Impeller



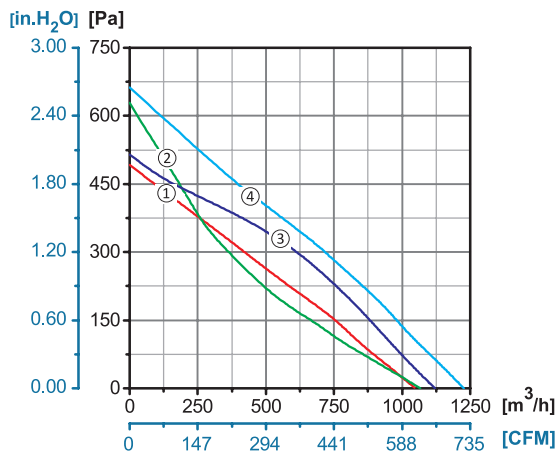
### Φ 225

转子材质 Rotor Material: 铸铝 Aluminum Die-casting  
 叶轮材质 Impeller Material: 镀锌板 Galvanized Steel Sheet  
 防护等级 Ingress Protection: IP44  
 绝缘等级 Insulation Class: F  
 轴承类型 Bearing Type: 免维护滚珠球轴承  
 Maintenance Free Ball Bearing

### 产品尺寸图 Dimensional Drawings



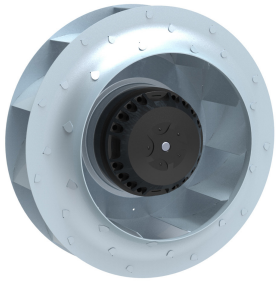
### 性能曲线 Performance Curves



产品型号 Model No.	电压 Voltage	频率 Frequency	电流 Current	功率 Power	转速 Speed	电容 Capacitor	风量 Air Flow (0 Pa)	噪音 Noise	曲线 Curve	运行温度 Working Temp.	认证 Approvals
	V	Hz	A	W	RPM	μF	[m <sup>3</sup> /h]/[CFM]	dB(A)	No.	Min/Max (°C)	
YWF.B2S-225-075AB20	220/230	50	0.48	104	2510	4	1045/614	73	①	-30/+60	CCC, CE
	220/230	60	0.66	145	2630	4	1066/627	74	②	-30/+60	CE
YWF.B2T-225-075AB20	380/400	50	0.22	95	2500	/	1105/650	72	③	-30/+60	CCC, CE
	380/400	60	0.23	125	2700	/	1195/702	75	④	-30/+60	CE



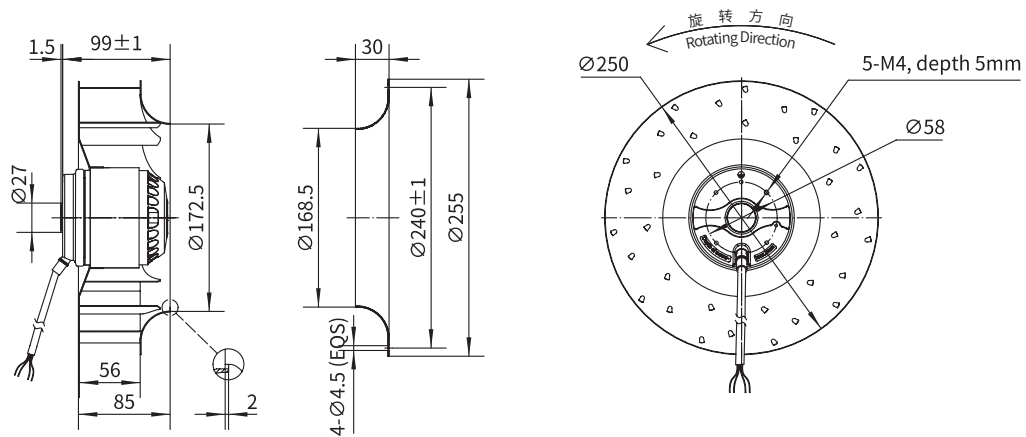
## 常规金属叶轮后倾离心风机 Backward Curved Centrifugal Fan with Conventional Metal Impeller



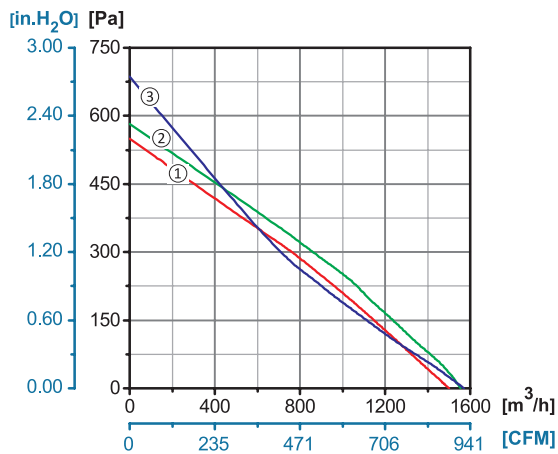
### Φ 250

转子材质 Rotor Material: 铸铝 Aluminum Die-casting  
 叶轮材质 Impeller Material: 镀锌板 Galvanized Steel Sheet  
 防护等级 Ingress Protection: IP44  
 绝缘等级 Insulation Class: F  
 轴承类型 Bearing Type: 免维护滚珠球轴承  
 Maintenance Free Ball Bearing

#### 产品尺寸图 Dimensional Drawings



#### 性能曲线 Performance Curves

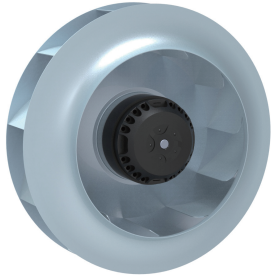


产品型号 Model No.	电压 Voltage	频率 Frequency	电流 Current	功率 Power	转速 Speed	电容 Capacitor	风量 Air Flow (0 Pa)	噪音 Noise	曲线 Curve	运行温度 Working Temp.	认证 Approvals
	V	Hz	A	W	RPM	μF	[m <sup>3</sup> /h]/[CFM]	dB(A)	No.	Min/Max (°C)	
YWF.B2S-250-085AB2A	110/120	60	1.5	170	2570	28	1500/882	78	①	-30/+60	
	110/120	60	2.1	230	2770	28	1580/929	80	③	-30/+60	
YWF.B2S-250-085AB20	220/230	50	0.71	175	2570	7	1550/912	78	②	-30/+60	CCC, CE





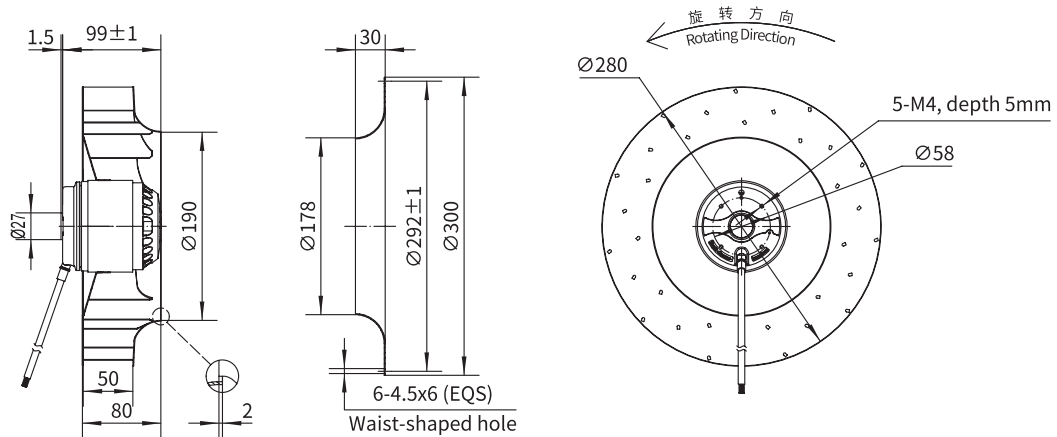
## 常规金属叶轮后倾离心风机 Backward Curved Centrifugal Fan with Conventional Metal Impeller



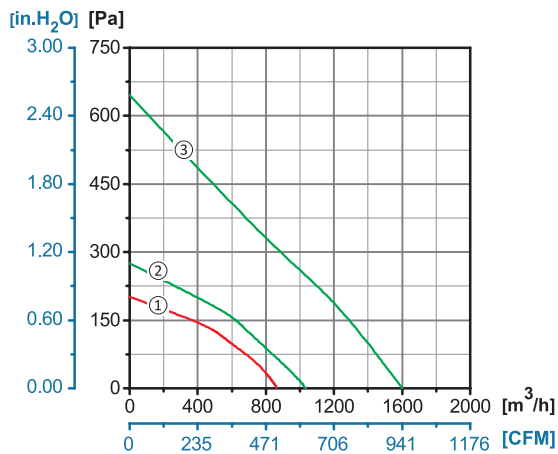
# Φ 280

转子材质 Rotor Material: 铸铝 Aluminum Die-casting  
 叶轮材质 Impeller Material: 镀锌板 Galvanized Steel Sheet  
 防护等级 Ingress Protection: IP44  
 绝缘等级 Insulation Class: F  
 轴承类型 Bearing Type: 免维护滚珠球轴承  
 Maintenance Free Ball Bearing

### 产品尺寸图 Dimensional Drawings



### 性能曲线 Performance Curves

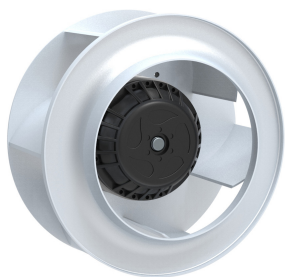


产品型号 Model No.	电压 Voltage	频率 Frequency	电流 Current	功率 Power	转速 Speed	电容 Capacitor	风量 Air Flow (0 Pa)	噪音 Noise	曲线 Curve	运行温度 Working Temp.	认证 Approvals
	V	Hz	A	W	RPM	μF	[m <sup>3</sup> /h]/[CFM]	dB(A)	No.	Min/Max (°C)	
YWF.B4S-280-080AB2A	110/120	60	0.68	78	1600	8	1050/617	67	②	-30/+60	
YWF.B2S-280-080AB20	220/230	50	0.89	195	2500	7	1640/964	80	③	-30/+60	CCC, CE
YWF.B4S-280-080AB20	220/230	50	0.29	64	1410	3	863/507	64	①	-30/+60	CCC, CE
	220/230	60	0.45	95	1650	3	1032/607	68	②	-30/+60	CE





## 常规金属叶轮后倾离心风机 Backward Curved Centrifugal Fan with Conventional Metal Impeller



### Φ 280

转子材质 Rotor Material: 铸铝 Aluminum Die-casting

叶轮材质 Impeller Material: 铝合金 Aluminum Alloy

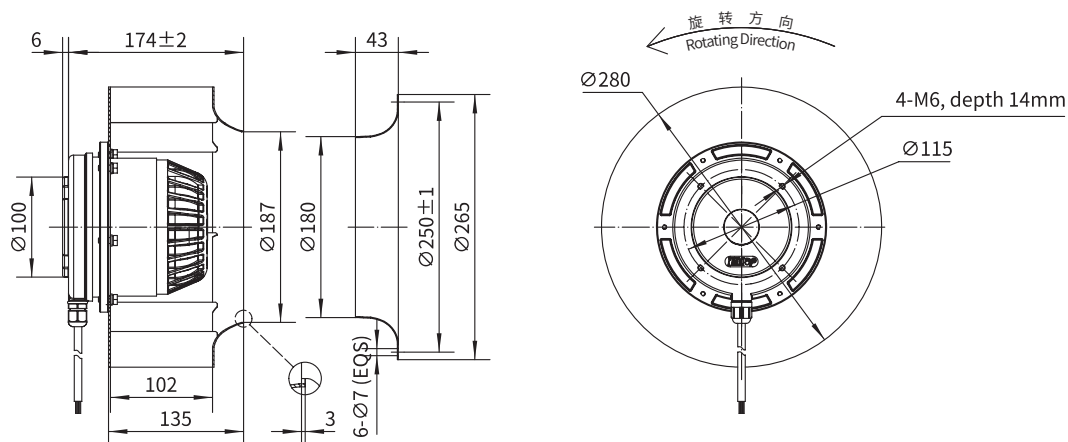
防护等级 Ingress Protection: IP54

绝缘等级 Insulation Class: F

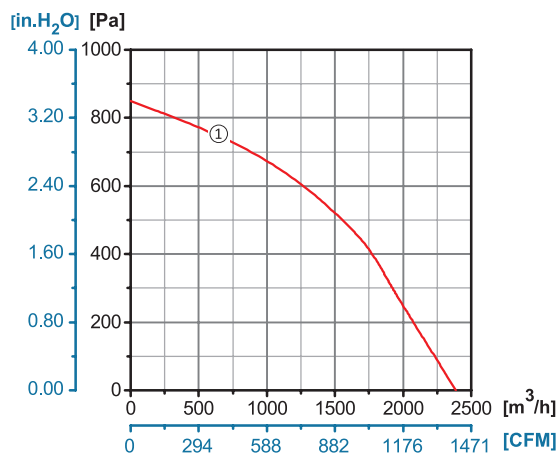
轴承类型 Bearing Type: 免维护滚珠球轴承

Maintenance Free Ball Bearing

### 产品尺寸图 Dimensional Drawings



### 性能曲线 Performance Curves

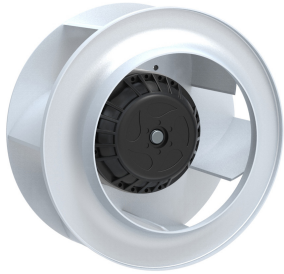


产品型号 Model No.	电压 Voltage	频率 Frequency	电流 Current	功率 Power	转速 Speed	电容 Capacitor	风量 Air Flow (0 Pa)	噪音 Noise	曲线 Curve	运行温度 Working Temp.	认证 Approvals
	V	Hz	A	W	RPM	µF	[m³/h]/[CFM]	dB(A)	No.	Min/Max (°C)	
YWF.B2T-280-135AB10	380/400	50	0.90	440	2770	/	2385/1402	83	①	-30/+60	CCC, CE





## 常规金属叶轮后倾离心风机 Backward Curved Centrifugal Fan with Conventional Metal Impeller



### Φ 315

转子材质 Rotor Material: 铸铝 Aluminum Die-casting

叶轮材质 Impeller Material: 铝合金 Aluminum Alloy

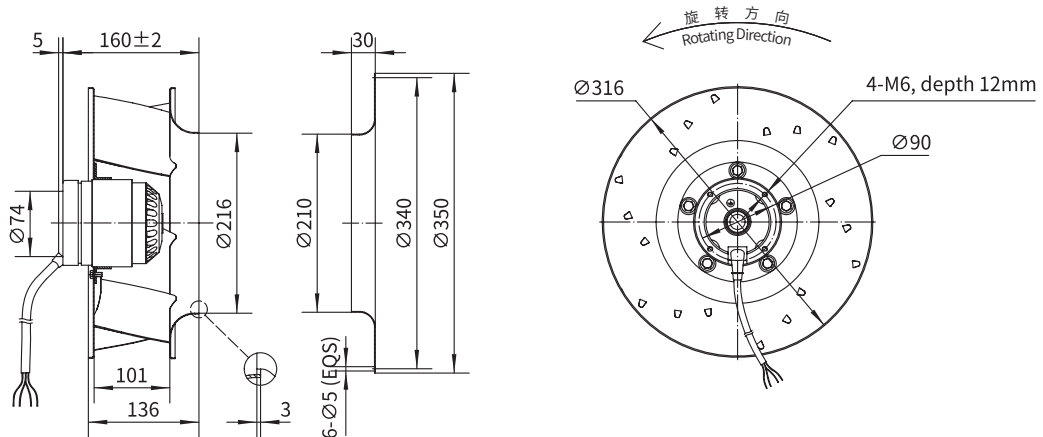
防护等级 Ingress Protection: IP54

绝缘等级 Insulation Class: F

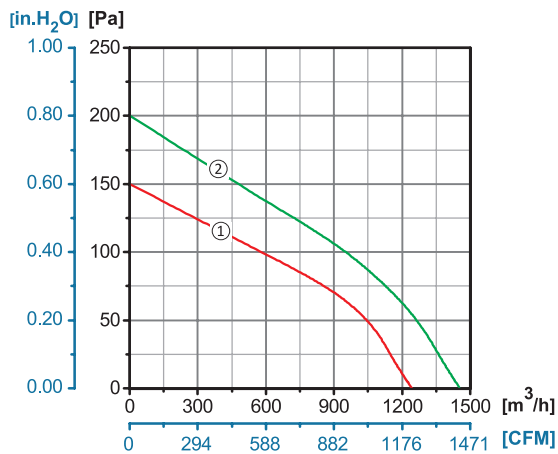
轴承类型 Bearing Type: 免维护滚珠球轴承

Maintenance Free Ball Bearing

### 产品尺寸图 Dimensional Drawings



### 性能曲线 Performance Curves



产品型号 Model No.	电压 Voltage	频率 Frequency	电流 Current	功率 Power	转速 Speed	电容 Capacitor	风量 Air Flow (0 Pa)	噪音 Noise	曲线 Curve	运行温度 Working Temp.	认证 Approvals
	V	Hz	A	W	RPM	μF	[m³/h]/[CFM]	dB(A)	No.	Min/Max (°C)	
YWF.B6S-315-136AB10	220/230	50	0.38	75	940	3	1240/729	58	①	-30/+60	CCC, CE
	220/230	60	0.42	85	1050	3	1460/858	60	②	-30/+60	UL, CE
YWF.B6T-315-136AB10	380/400	50	0.20	70	900	/	1240/729	58	①	-30/+60	CCC, CE
	380/400	60	0.24	80	1050	/	1460/858	60	②	-30/+60	UL, CE



## 常规金属叶轮后倾离心风机 Backward Curved Centrifugal Fan with Conventional Metal Impeller



### Φ 315

转子材质 Rotor Material: 铸铝 Aluminum Die-casting

叶轮材质 Impeller Material: 铝合金 Aluminum Alloy

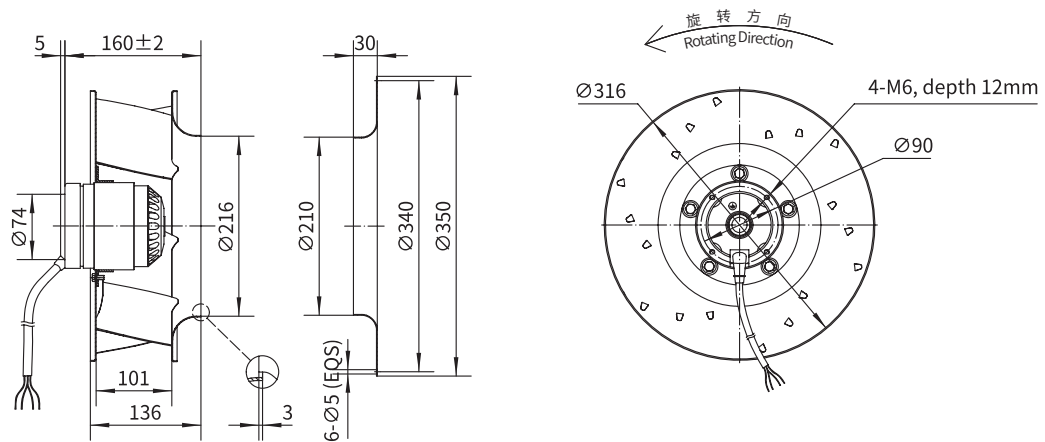
防护等级 Ingress Protection: IP54

绝缘等级 Insulation Class: F

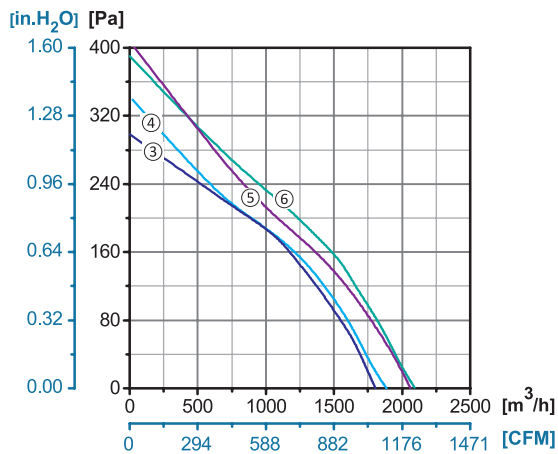
轴承类型 Bearing Type: 免维护滚珠球轴承

Maintenance Free Ball Bearing

### 产品尺寸图 Dimensional Drawings



### 性能曲线 Performance Curves



产品型号 Model No.	电压 Voltage	频率 Frequency	电流 Current	功率 Power	转速 Speed	电容 Capacitor	风量 Air Flow (0 Pa)	噪音 Noise	曲线 Curve	运行温度 Working Temp.	认证 Approvals
	V	Hz	A	W	RPM	μF	[m³/h]/[CFM]	dB(A)	No.	Min/Max (°C)	
YWF.B4S-315-136AB1B	110/120	60	1.60	180	1600	16	2100/1235	66	⑥	-30/+60	UL
YWF.B4S-315-136AB10	220/230	50	0.60	135	1400	3.5	1802/1060	63	③	-30/+60	CCC, CE
	220/230	60	0.80	180	1580	3.5	2060/1212	66	⑤	-30/+60	UL, CE
YWF.B4T-315-136AB10	380/400	50	0.35	136	1430	/	1900/1117	64	④	-30/+60	CCC, CE
	380/400	60	0.40	175	1550	/	2100/1235	66	⑥	-30/+60	UL, CE



## 常规金属叶轮后倾离心风机 Backward Curved Centrifugal Fan with Conventional Metal Impeller



### Φ 355

转子材质 Rotor Material: 铸铝 Aluminum Die-casting

叶轮材质 Impeller Material: 铝合金 Aluminum Alloy

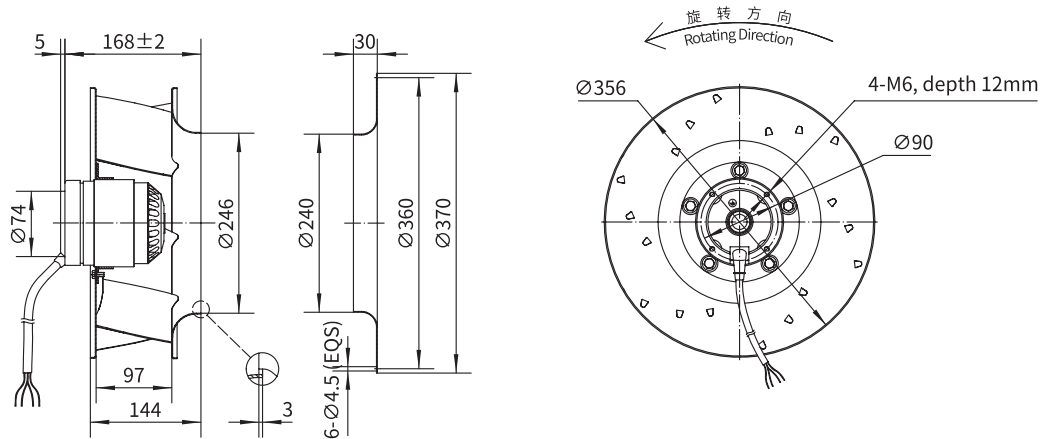
防护等级 Ingress Protection: IP54

绝缘等级 Insulation Class: F

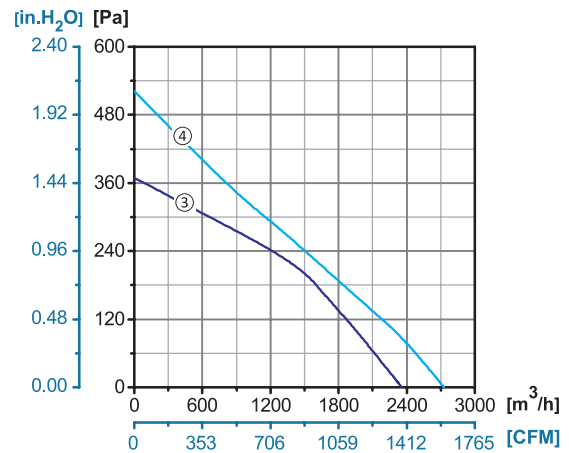
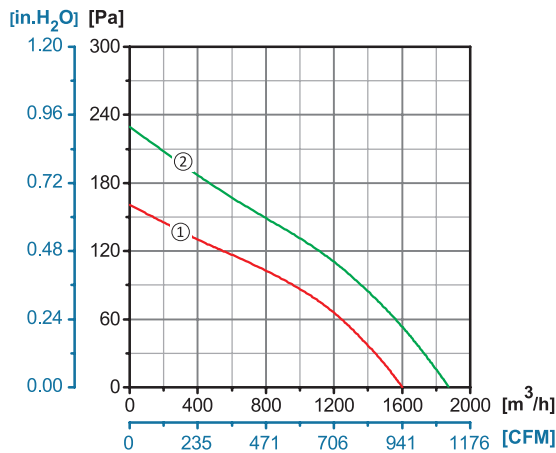
轴承类型 Bearing Type: 免维护滚珠球轴承

Maintenance Free Ball Bearing

### 产品尺寸图 Dimensional Drawings



### 性能曲线 Performance Curves



产品型号 Model No.	电压 Voltage	频率 Frequency	电流 Current	功率 Power	转速 Speed	电容 Capacitor	风量 Air Flow (0 Pa)	噪音 Noise	曲线 Curve	运行温度 Working Temp.	认证 Approvals
	V	Hz	A	W	RPM	μF	[m <sup>3</sup> /h]/[CFM]	dB(A)	No.	Min/Max (°C)	
YWF.B4S-355-144AB1A	110/120	60	2.00	240	1600	20	2600/1530	66	④	-30/+60	UL
YWF.B4S-355-144AB20	220/230	50	0.75	160	1400	6	2350/1382	68	③	-30/+60	CCC, CE
YWF.B4T-355-144AB20	380/400	50	0.47	155	1400	/	2380/1400	68	③	-30/+60	CCC, CE
YWF.B6S-355-144AB10	220/230	50	0.46	100	930	4	1600/941	60	①	-30/+60	CCC, CE
	220/230	60	0.50	110	1080	4	1870/1100	65	②	-30/+60	UL, CE
YWF.B6T-355-144AB10	380/400	50	0.32	100	950	/	1650/970	61	①	-30/+60	CCC, CE
	380/400	60	0.35	135	1080	/	1890/1111	62	②	-30/+60	UL, CE





## 常规金属叶轮后倾离心风机 Backward Curved Centrifugal Fan with Conventional Metal Impeller



### Φ 355

转子材质 Rotor Material: 铸铝 Aluminum Die-casting

叶轮材质 Impeller Material: 铝合金 Aluminum Alloy

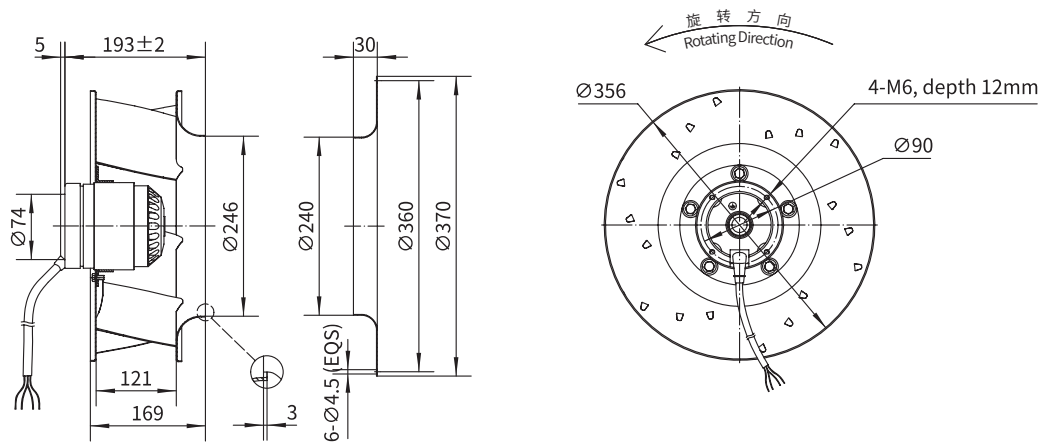
防护等级 Ingress Protection: IP54

绝缘等级 Insulation Class: F

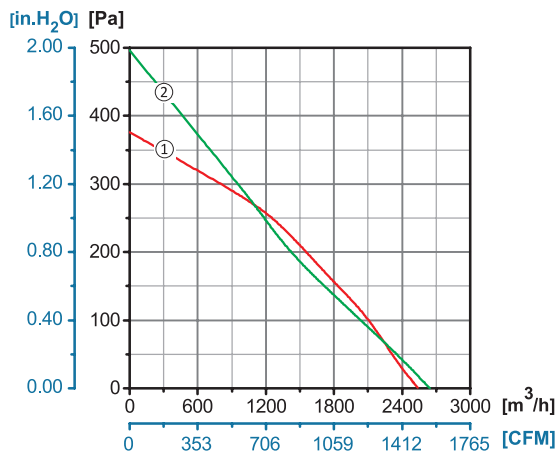
轴承类型 Bearing Type: 免维护滚珠球轴承

Maintenance Free Ball Bearing

### 产品尺寸图 Dimensional Drawings



### 性能曲线 Performance Curves



产品型号 Model No.	电压 Voltage	频率 Frequency	电流 Current	功率 Power	转速 Speed	电容 Capacitor	风量 Air Flow (0 Pa)	噪音 Noise	曲线 Curve	运行温度 Working Temp.	认证 Approvals
	V	Hz	A	W	RPM	μF	[m³/h]/[CFM]	dB(A)	No.	Min/Max (°C)	
YWF.B4S-355-169AB10	220/230	50	0.88	200	1340	8	2500/1470	61	①	-30/+60	CCC, CE
	220/230	60	1.25	280	1380	8	2650/1558	62	②	-30/+60	CE
YWF.B4T-355-169AB10	380/400	50	0.53	200	1380	/	2500/1470	61	①	-30/+60	CCC, CE



## 常规金属叶轮后倾离心风机 Backward Curved Centrifugal Fan with Conventional Metal Impeller



### Φ 400

转子材质 Rotor Material: 铸铝 Aluminum Die-casting

叶轮材质 Impeller Material: 铝合金 Aluminum Alloy

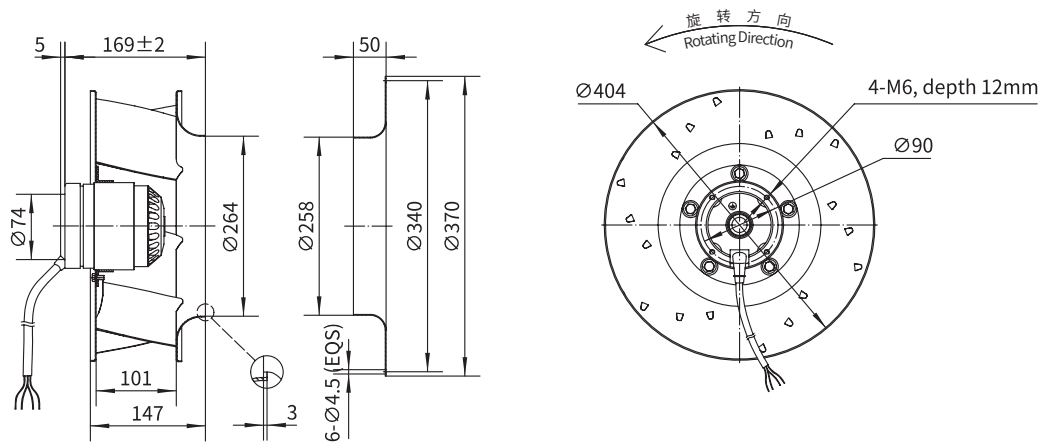
防护等级 Ingress Protection: IP54

绝缘等级 Insulation Class: F

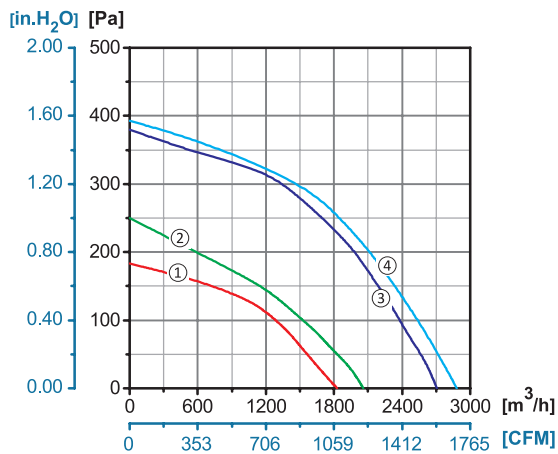
轴承类型 Bearing Type: 免维护滚珠球轴承

Maintenance Free Ball Bearing

### 产品尺寸图 Dimensional Drawings



### 性能曲线 Performance Curves



产品型号 Model No.	电压 Voltage	频率 Frequency	电流 Current	功率 Power	转速 Speed	电容 Capacitor	风量 Air Flow (0 Pa)	噪音 Noise	曲线 Curve	运行温度 Working Temp.	认证 Approvals
	V	Hz	A	W	RPM	μF	[m³/h]/[CFM]	dB(A)	No.	Min/Max (°C)	
YWF.B4S-400-147AB10	220/230	50	1.2	260	1350	7	2700/1588	75	③	-30/+60	CCC, CE
YWF.B4T-400-147AB10	380/400	50	0.58	200	1380	/	2880/1694	74	④	-30/+60	CCC, CE
YWF.B6S-400-147AB10	220/230	50	0.55	120	920	7	1810/1064	61	①	-30/+60	CCC, CE
YWF.B6T-400-147AB10	380/400	50	0.35	105	940	/	1825/1073	54	①	-30/+60	CCC, CE
	380/400	60	0.30	125	1040	/	2060/1211	58	②	-30/+60	CE



## 常规金属叶轮后倾离心风机 Backward Curved Centrifugal Fan with Conventional Metal Impeller



### Φ 400

转子材质 Rotor Material: 铸铝 Aluminum Die-casting

叶轮材质 Impeller Material: 铝合金 Aluminum Alloy

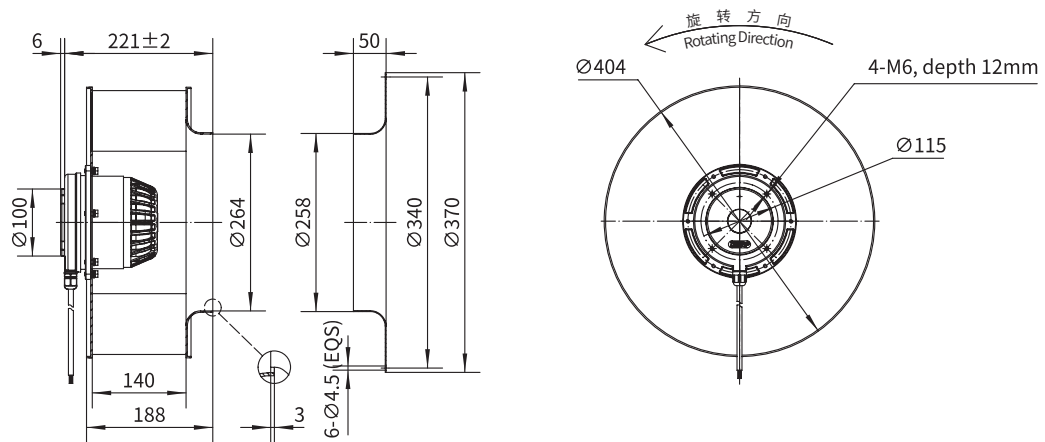
防护等级 Ingress Protection: IP54

绝缘等级 Insulation Class: F

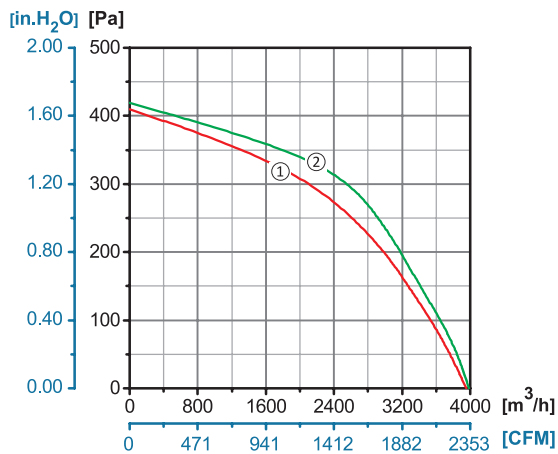
轴承类型 Bearing Type: 免维护滚珠球轴承

Maintenance Free Ball Bearing

### 产品尺寸图 Dimensional Drawings



### 性能曲线 Performance Curves



产品型号 Model No.	电压 Voltage	频率 Frequency	电流 Current	功率 Power	转速 Speed	电容 Capacitor	风量 Air Flow (0 Pa)	噪音 Noise	曲线 Curve	运行温度 Working Temp.	认证 Approvals
	V	Hz	A	W	RPM	μF	[m³/h]/[CFM]	dB(A)	No.	Min/Max (°C)	
YWF.B4S-400-188AB10	220/230	50	1.50	320	1380	12	3950/2323	65	①	-30/+60	CCC, CE
YWF.B4T-400-188AB10	380/400	50	0.92	320	1420	/	3990/2437	66	②	-30/+60	CCC, CE



## 常规金属叶轮后倾离心风机 Backward Curved Centrifugal Fan with Conventional Metal Impeller



### Φ 400

转子材质 Rotor Material: 铸铝 Aluminum Die-casting

叶轮材质 Impeller Material: 铝合金 Aluminum Alloy

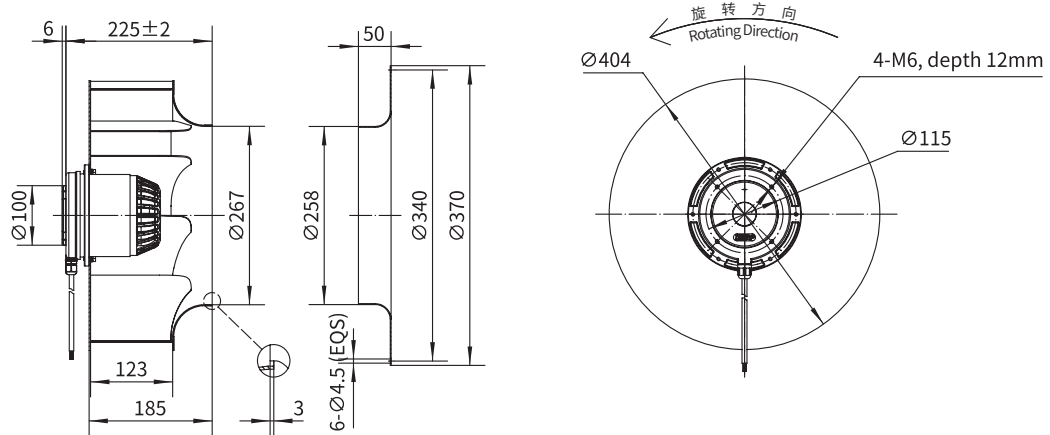
防护等级 Ingress Protection: IP54

绝缘等级 Insulation Class: F

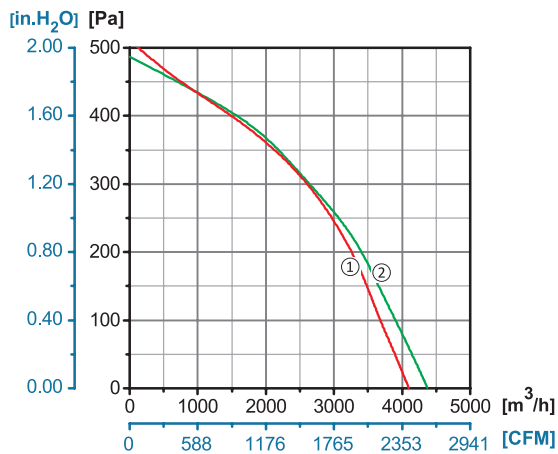
轴承类型 Bearing Type: 免维护滚珠球轴承

Maintenance Free Ball Bearing

### 产品尺寸图 Dimensional Drawings



### 性能曲线 Performance Curves



产品型号 Model No.	电压 Voltage	频率 Frequency	电流 Current	功率 Power	转速 Speed	电容 Capacitor	风量 Air Flow (0 Pa)	噪音 Noise	曲线 Curve	运行温度 Working Temp.	认证 Approvals
	V	Hz	A	W	RPM	μF	[m <sup>3</sup> /h]/[CFM]	dB(A)	No.	Min/Max (°C)	
YWF.B4S-400-188AB20	220/230	50	1.50	320	1380	12	4370/2570	67	②	-30/+60	CCC, CE
YWF.B4T-400-188AB20	380/400	50	0.96	370	1370	/	4100/2411	66	①	-30/+60	CCC, CE





## 常规金属叶轮后倾离心风机 Backward Curved Centrifugal Fan with Conventional Metal Impeller



# Φ 450

转子材质 Rotor Material: 铸铝 Aluminum Die-casting

叶轮材质 Impeller Material: 铝合金 Aluminum Alloy

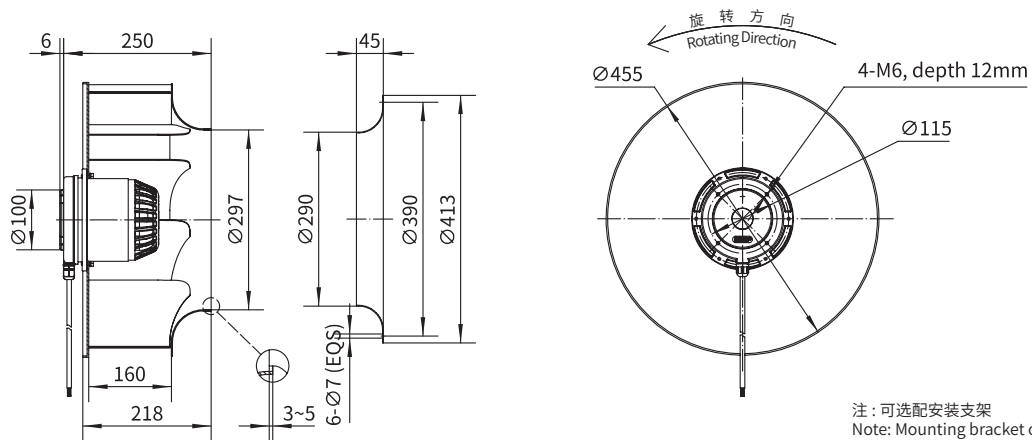
防护等级 Ingress Protection: IP54

绝缘等级 Insulation Class: F

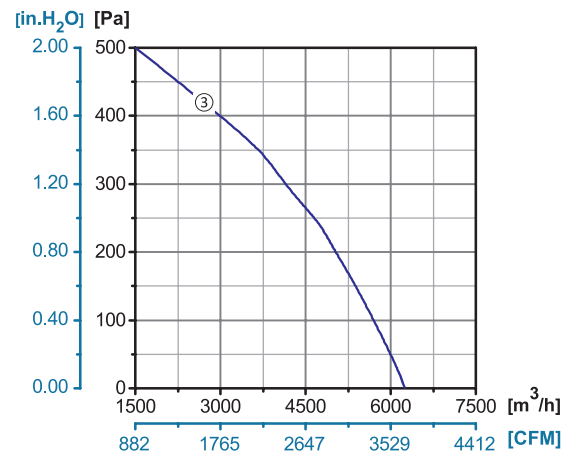
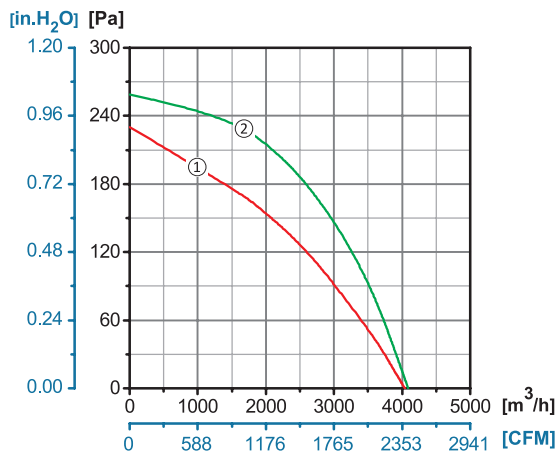
轴承类型 Bearing Type: 免维护滚珠球轴承

Maintenance Free Ball Bearing

### 产品尺寸图 Dimensional Drawings



### 性能曲线 Performance Curves



产品型号 Model No.	电压 Voltage	频率 Frequency	电流 Current	功率 Power	转速 Speed	电容 Capacitor	风量 Air Flow (0 Pa)	噪音 Noise	曲线 Curve	运行温度 Working Temp.	认证 Approvals
	V	Hz	A	W	RPM	µF	[m <sup>3</sup> /h]/[CFM]	dB(A)	No.	Min/Max (°C)	
YWF.B4T-450-218AB10	380/400	50	1.3	550	1340	/	6240/3670	69	③	-30/+60	CCC, CE
YWF.B6S-450-218AB10	220/230	50	0.95	190	930	6	4040/2376	60	①	-30/+60	CCC, CE
YWF.B6T-450-218AB10	380/400	50	0.85	200	920	/	4080/2400	65	②	-30/+60	CCC, CE



## 常规金属叶轮后倾离心风机 Backward Curved Centrifugal Fan with Conventional Metal Impeller



### Φ 500

转子材质 Rotor Material: 铸铝 Aluminum Die-casting

叶轮材质 Impeller Material: 铝合金 Aluminum Alloy

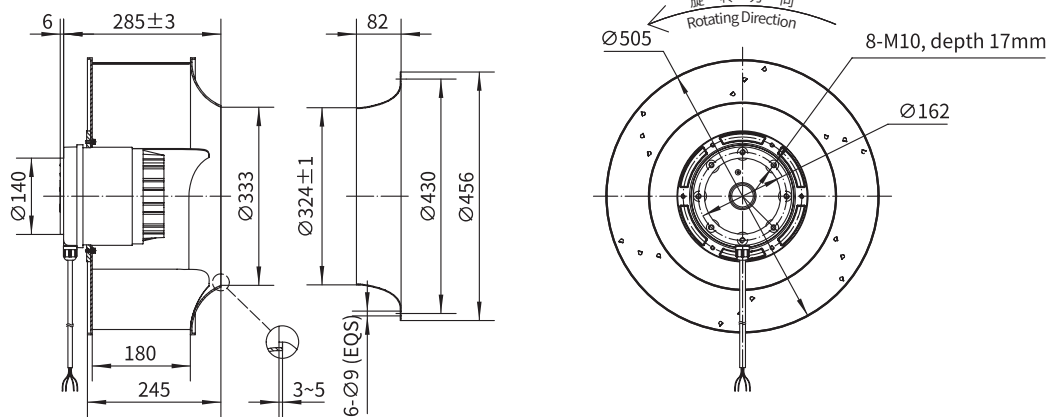
防护等级 Ingress Protection: IP54

绝缘等级 Insulation Class: F

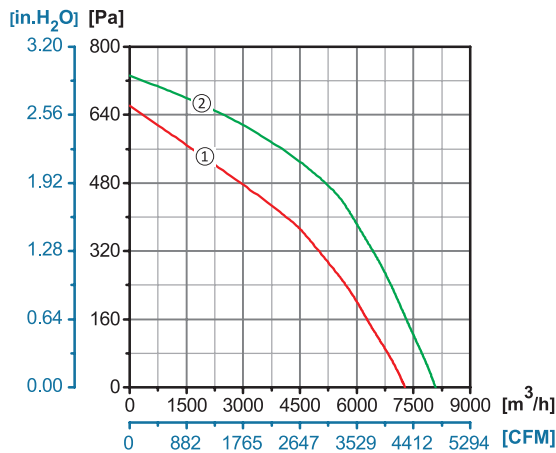
轴承类型 Bearing Type: 免维护滚珠球轴承

Maintenance Free Ball Bearing

### 产品尺寸图 Dimensional Drawings



### 性能曲线 Performance Curves



产品型号 Model No.	电压 Voltage	频率 Frequency	电流 Current	功率 Power	转速 Speed	电容 Capacitor	风量 Air Flow (0 Pa)	噪音 Noise	曲线 Curve	运行温度 Working Temp.	认证 Approvals
	V	Hz	A	W	RPM	μF	[m <sup>3</sup> /h]/[CFM]	dB(A)	No.	Min/Max (°C)	
YWF.B4T-500-245SB20	380/400	50	2.0	900	1450	/	8050/4735	78	②	-30/+60	CCC, CE
	380/400	50	1.4	850	1350	/	7250/4264	76	①	-30/+60	CCC, CE



## 常规金属叶轮后倾离心风机 Backward Curved Centrifugal Fan with Conventional Metal Impeller



### Φ 560

转子材质 Rotor Material: 铸铝 Aluminum Die-casting

叶轮材质 Impeller Material: 铝合金 Aluminum Alloy

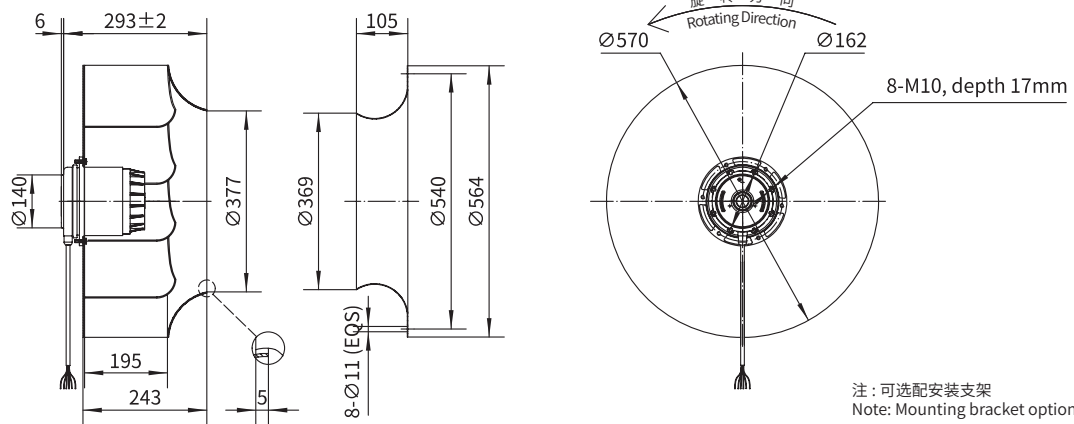
防护等级 Ingress Protection: IP54

绝缘等级 Insulation Class: F

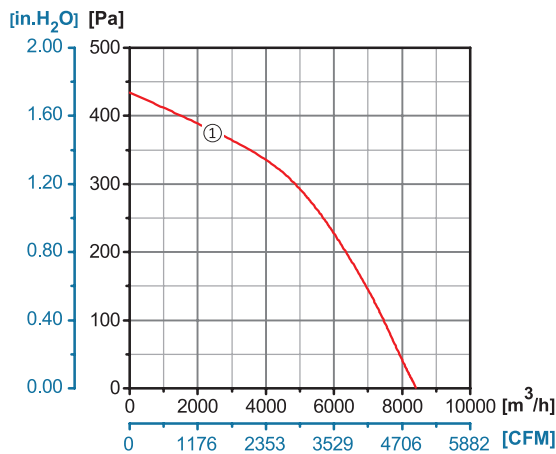
轴承类型 Bearing Type: 免维护滚珠球轴承

Maintenance Free Ball Bearing

### 产品尺寸图 Dimensional Drawings



### 性能曲线 Performance Curves

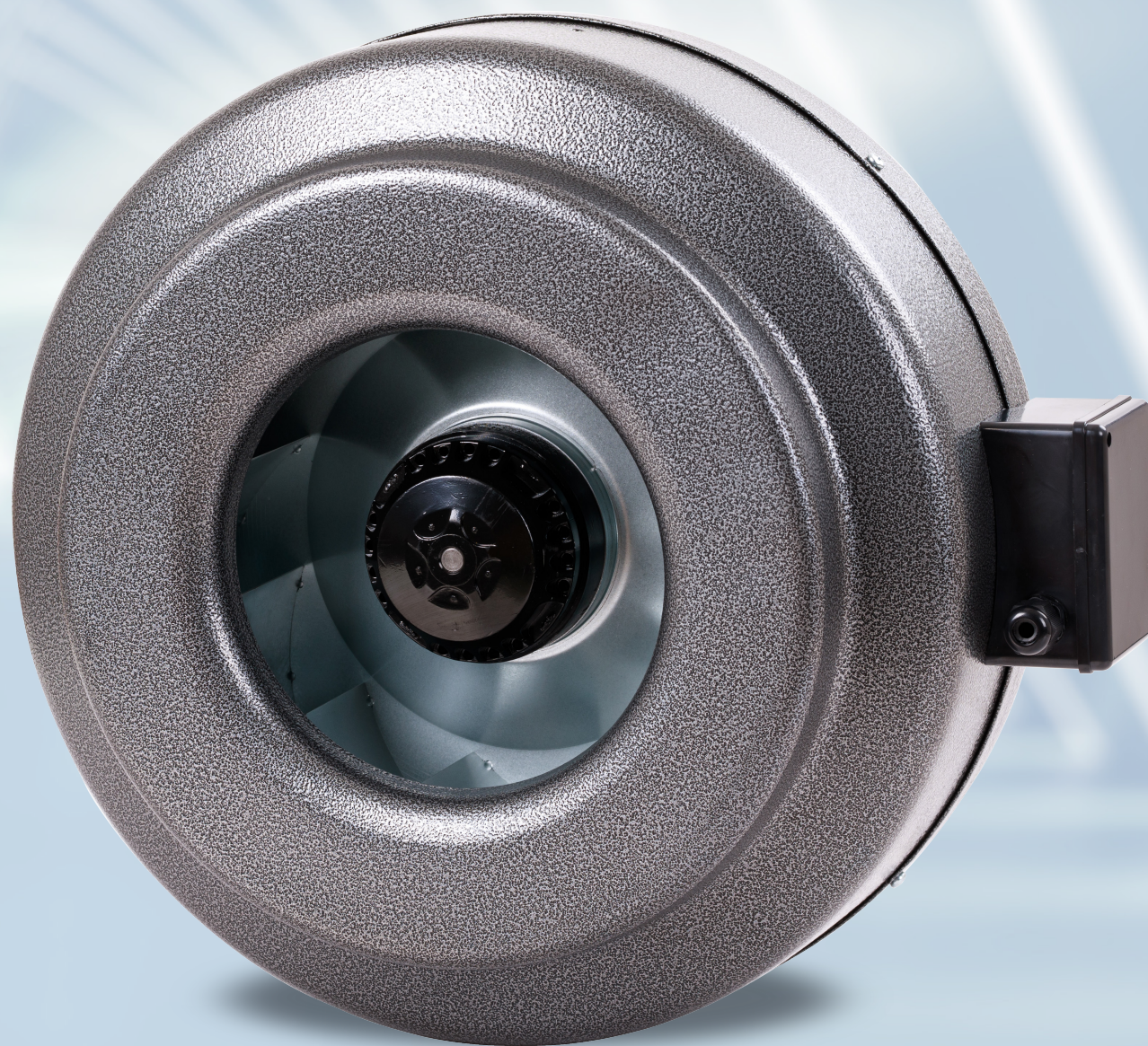


产品型号 Model No.	电压 Voltage	频率 Frequency	电流 Current	功率 Power	转速 Speed	电容 Capacitor	风量 Air Flow (0 Pa)	噪音 Noise	曲线 Curve	运行温度 Working Temp.	认证 Approvals
	V	Hz	A	W	RPM	µF	[m <sup>3</sup> /h]/[CFM]	dB(A)	No.	Min/Max (°C)	
YWF.B6T-560-243AB20	380/400	50	1.40	600	920	/	8400/4941	77	①	-30/+60	CCC, CE



# 管道风机 In-line Duct Fan





 管道风机  
In-line Duct Fan



## Φ 100

转子材质 Rotor Material: 铸铝 Aluminum Die-casting

外壳材质 Housing Material: 碳钢 Carbon Steel

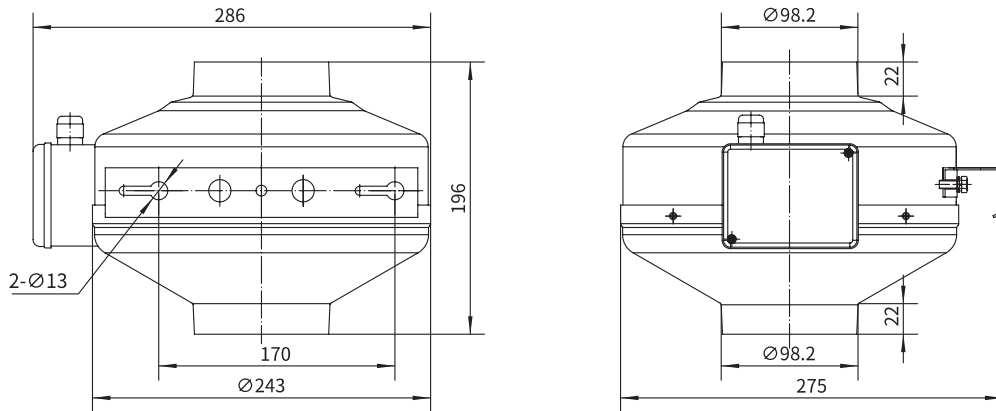
防护等级 Ingress Protection: IP44

绝缘等级 Insulation Class: F

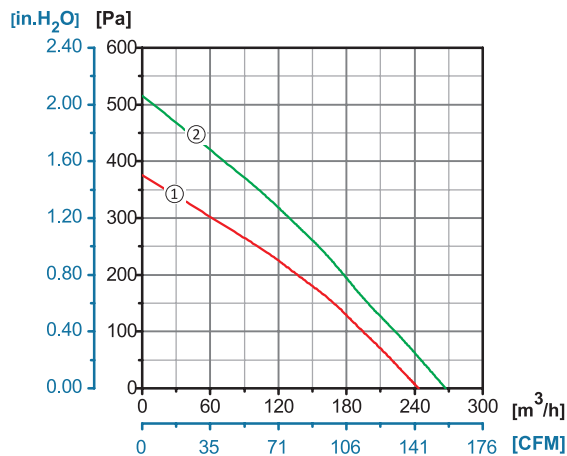
轴承类型 Bearing Type: 免维护滚珠球轴承

Maintenance Free Ball Bearing

### 产品尺寸图 Dimensional Drawings



### 性能曲线 Performance Curves



产品型号 Model No.	电压 Voltage	频率 Frequency	电流 Current	功率 Power	转速 Speed	电容 Capacitor	风量 Air Flow (0 Pa)	噪音 Noise	曲线 Curve	运行温度 Working Temp.	认证 Approvals
	V	Hz	A	W	RPM	μF	[m³/h]/[CFM]	dB(A)	No.	Min/Max (°C)	
YWF.G2S-100-196AA2A	110/120	60	0.57	68	2875	6	275/155	63	②	-30/+60	
YWF.G2S-100-196AA20	220/230	50	0.28	61	2610	2.5	250/140	61	①	-30/+60	CCC, CE
	220/230	60	0.35	75	2940	2.5	275/155	63	②	-30/+60	CE


**管道风机**  
**In-line Duct Fan**


## Φ 125

转子材质 Rotor Material: 铸铝 Aluminum Die-casting

外壳材质 Housing Material: 碳钢 Carbon Steel

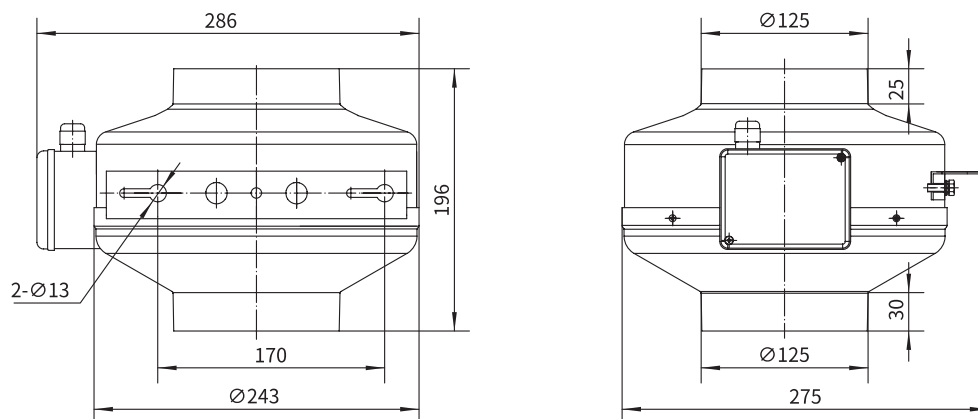
防护等级 Ingress Protection: IP44

绝缘等级 Insulation Class: F

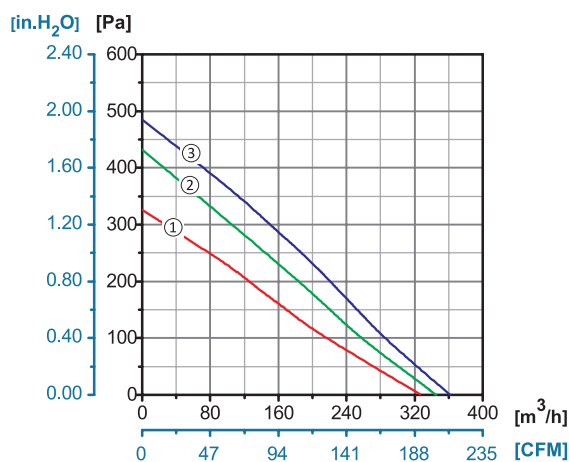
轴承类型 Bearing Type: 免维护滚珠球轴承

Maintenance Free Ball Bearing

### 产品尺寸图 Dimensional Drawings



### 性能曲线 Performance Curves



产品型号 Model No.	电压 Voltage	频率 Frequency	电流 Current	功率 Power	转速 Speed	电容 Capacitor	风量 Air Flow (0 Pa)	噪音 Noise	曲线 Curve	运行温度 Working Temp.	认证 Approvals
	V	Hz	A	W	RPM	μF	[m³/h]/[CFM]	dB(A)	No.	Min/Max (°C)	
YWF.G2S-125-196AA2A	110/120	60	0.63	75	2975	8	360/235	63	③	-30/+60	
YWF.G2S-125-196AA20	220/230	50	0.32	70	2620	3	320/180	61	①	-30/+60	CCC, CE
	220/230	60	0.41	86	2940	3	340/200	63	②	-30/+60	CE




**管道风机**  
**In-line Duct Fan**


## Φ 150

转子材质 Rotor Material: 铸铝 Aluminum Die-casting

外壳材质 Housing Material: 碳钢 Carbon Steel

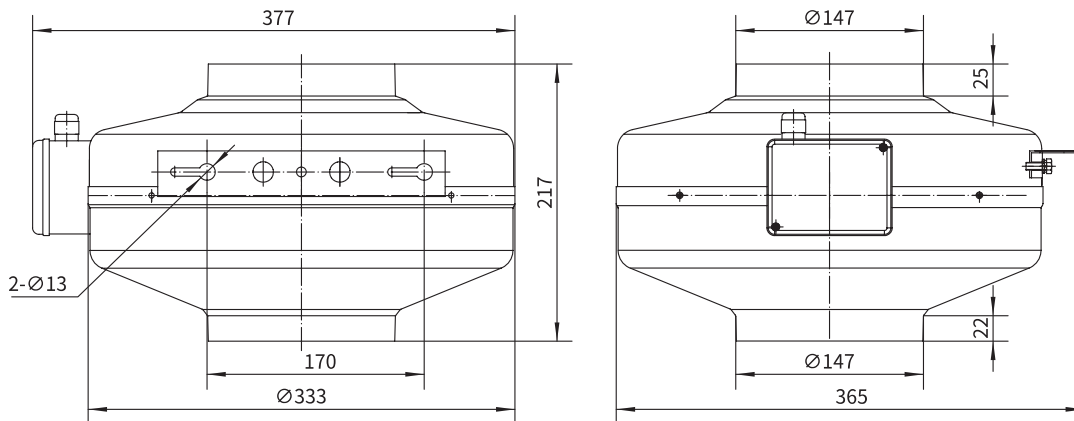
防护等级 Ingress Protection: IP44

绝缘等级 Insulation Class: F

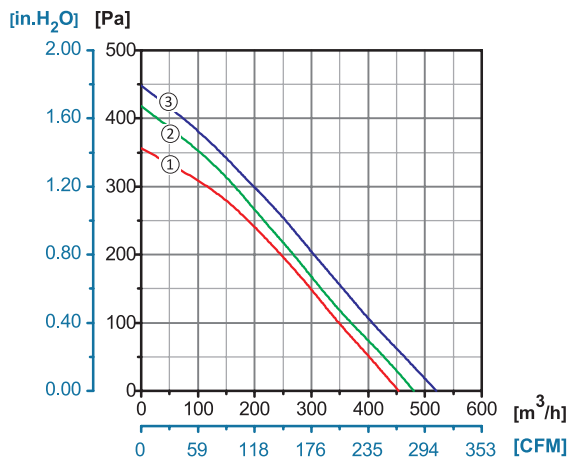
轴承类型 Bearing Type: 免维护滚珠球轴承

Maintenance Free Ball Bearing

### 产品尺寸图 Dimensional Drawings



### 性能曲线 Performance Curves



产品型号 Model No.	电压 Voltage	频率 Frequency	电流 Current	功率 Power	转速 Speed	电容 Capacitor	风量 Air Flow (0 Pa)	噪音 Noise	曲线 Curve	运行温度 Working Temp.	认证 Approvals
	V	Hz	A	W	RPM	μF	[m³/h]/[CFM]	dB(A)	No.	Min/Max (°C)	
YWF.G2S-150-217AA2A	110/120	60	0.91	108	2520	10	520/305	67	③	-30/+60	
YWF.G2S-150-217AA20	220/230	50	0.37	80	2395	3	450/260	68	①	-30/+60	CCC, CE
	220/230	60	0.50	108	2425	3	480/282	70	②	-30/+60	CE




**管道风机**  
**In-line Duct Fan**


## Φ 160

转子材质 Rotor Material: 铸铝 Aluminum Die-casting

外壳材质 Housing Material: 碳钢 Carbon Steel

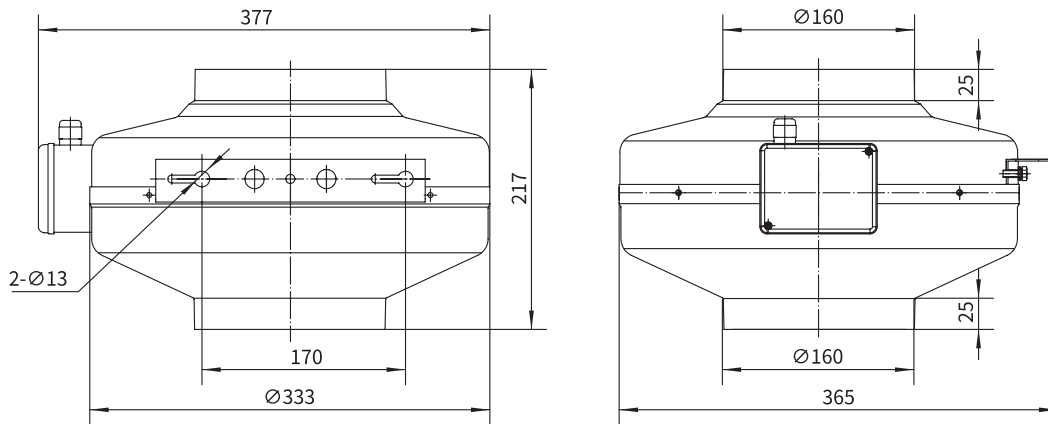
防护等级 Ingress Protection: IP44

绝缘等级 Insulation Class: F

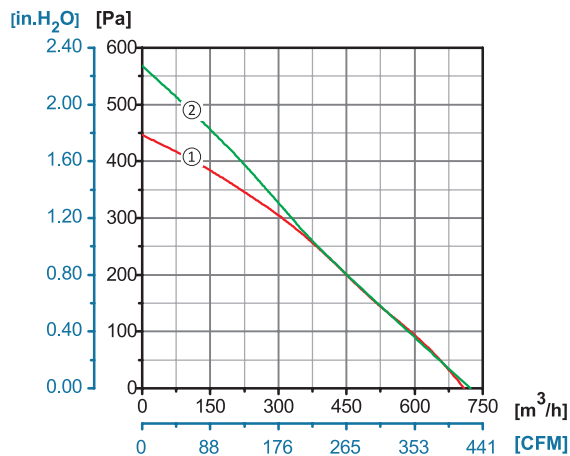
轴承类型 Bearing Type: 免维护滚珠球轴承

Maintenance Free Ball Bearing

### 产品尺寸图 Dimensional Drawings



### 性能曲线 Performance Curves



产品型号 Model No.	电压 Voltage	频率 Frequency	电流 Current	功率 Power	转速 Speed	电容 Capacitor	风量 Air Flow (0 Pa)	噪音 Noise	曲线 Curve	运行温度 Working Temp.	认证 Approvals
	V	Hz	A	W	RPM	μF	[m³/h]/[CFM]	dB(A)	No.	Min/Max (°C)	
YWF.G2S-160-217AA0A	110/120	60	1.28	150	2430	12	715/420	73	②	-30/+60	
YWF.G2S-160-217AA20	220/230	50	0.52	118	2415	4	710/417	72	①	-30/+60	CCC, CE
	220/230	60	0.70	150	2430	4	715/420	73	②	-30/+60	CE


**管道风机**  
**In-line Duct Fan**


## Φ 200

转子材质 Rotor Material: 铸铝 Aluminum Die-casting

外壳材质 Housing Material: 碳钢 Carbon Steel

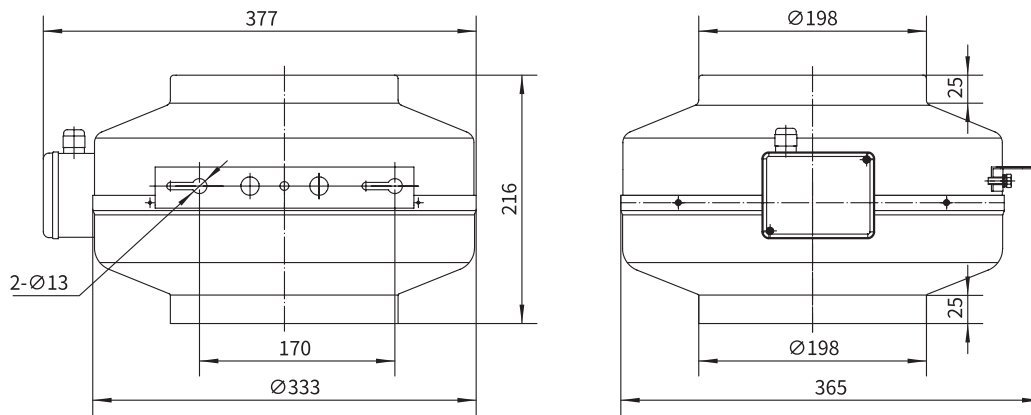
防护等级 Ingress Protection: IP44

绝缘等级 Insulation Class: F

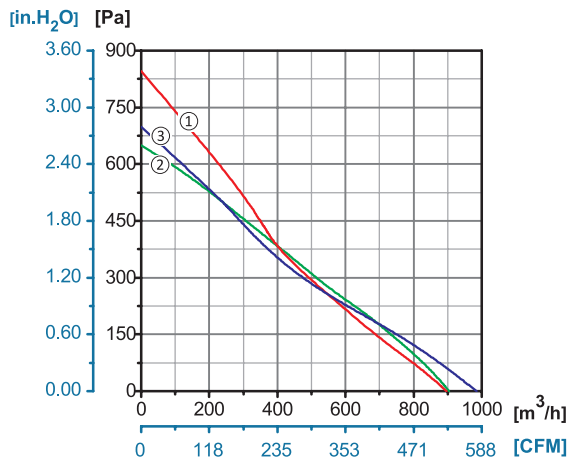
轴承类型 Bearing Type: 免维护滚珠球轴承

Maintenance Free Ball Bearing

### 产品尺寸图 Dimensional Drawings



### 性能曲线 Performance Curves



产品型号 Model No.	电压 Voltage	频率 Frequency	电流 Current	功率 Power	转速 Speed	电容 Capacitor	风量 Air Flow (0 Pa)	噪音 Noise	曲线 Curve	运行温度 Working Temp.	认证 Approvals
	V	Hz	A	W	RPM	μF	[m³/h]/[CFM]	dB(A)	No.	Min/Max (°C)	
YWF.G2S-200-216AA2A	110/120	60	1.87	217	2510	20	1000/580	69	③	-30/+60	
YWF.G2S-200-216AA20	220/230	50	0.79	170	2500	6	900/529	69	②	-30/+60	CCC, CE
	220/230	60	1.15	240	2480	6	900/529	69	①	-30/+60	CE


**管道风机**  
**In-line Duct Fan**


## Φ 250

转子材质 Rotor Material: 铸铝 Aluminum Die-casting

外壳材质 Housing Material: 碳钢 Carbon Steel

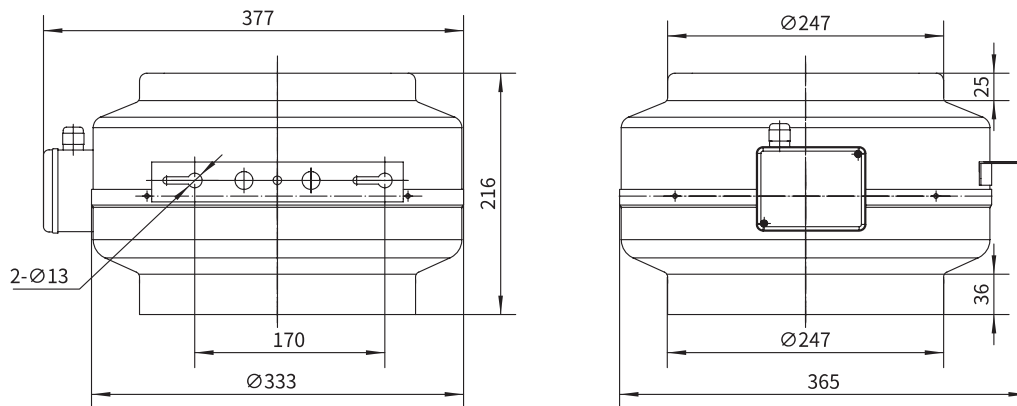
防护等级 Ingress Protection: IP44

绝缘等级 Insulation Class: F

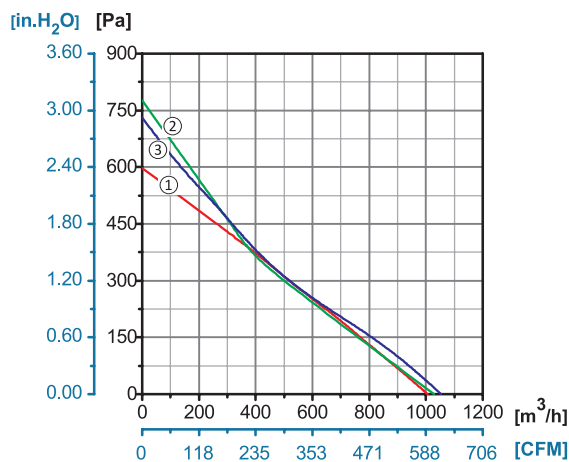
轴承类型 Bearing Type: 免维护滚珠球轴承

Maintenance Free Ball Bearing

### 产品尺寸图 Dimensional Drawings



### 性能曲线 Performance Curves



产品型号 Model No.	电压 Voltage	频率 Frequency	电流 Current	功率 Power	转速 Speed	电容 Capacitor	风量 Air Flow (0 Pa)	噪音 Noise	曲线 Curve	运行温度 Working Temp.	认证 Approvals
	V	Hz	A	W	RPM	μF	[m <sup>3</sup> /h]/[CFM]	dB(A)	No.	Min/Max (°C)	
YWF.G2S-250-216AA2A	110/120	60	1.83	212	2600	20	1050/618	70	①	-30/+60	
YWF.G2S-250-216AA20	220/230	50	0.97	200	2480	8	1100/647	68	③	-30/+60	CCC, CE
	220/230	60	1.30	280	2520	8	1076/632	68	②	-30/+60	CE


**管道风机**  
**In-line Duct Fan**


## Φ 300

转子材质 Rotor Material: 铸铝 Aluminum Die-casting

外壳材质 Housing Material: 碳钢 Carbon Steel

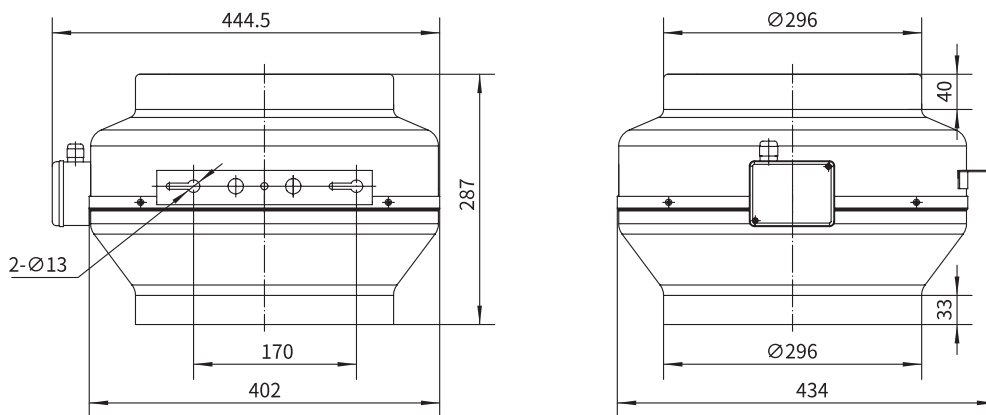
防护等级 Ingress Protection: IP44

绝缘等级 Insulation Class: F

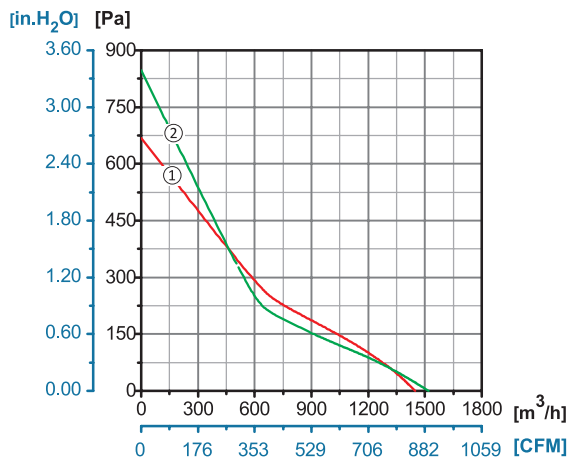
轴承类型 Bearing Type: 免维护滚珠球轴承

Maintenance Free Ball Bearing

### 产品尺寸图 Dimensional Drawings



### 性能曲线 Performance Curves



产品型号 Model No.	电压 Voltage	频率 Frequency	电流 Current	功率 Power	转速 Speed	电容 Capacitor	风量 Air Flow (0 Pa)	噪音 Noise	曲线 Curve	运行温度 Working Temp.	认证 Approvals
	V	Hz	A	W	RPM	μF	[m³/h]/[CFM]	dB(A)	No.	Min/Max (°C)	
YWF.G2S-300-287AA2A	110/120	60	2.19	250	2720	28	1520/894	76	②	-30/+60	
YWF.G2S-300-287AA20	220/230	50	0.85	187	2580	7	1450/852	74	①	-30/+60	CCC, CE
	220/230	60	1.19	260	2730	7	1520/894	75	②	-30/+60	CE


**管道风机**  
**In-line Duct Fan**


## Φ 315

转子材质 Rotor Material: 铸铝 Aluminum Die-casting

外壳材质 Housing Material: 碳钢 Carbon Steel

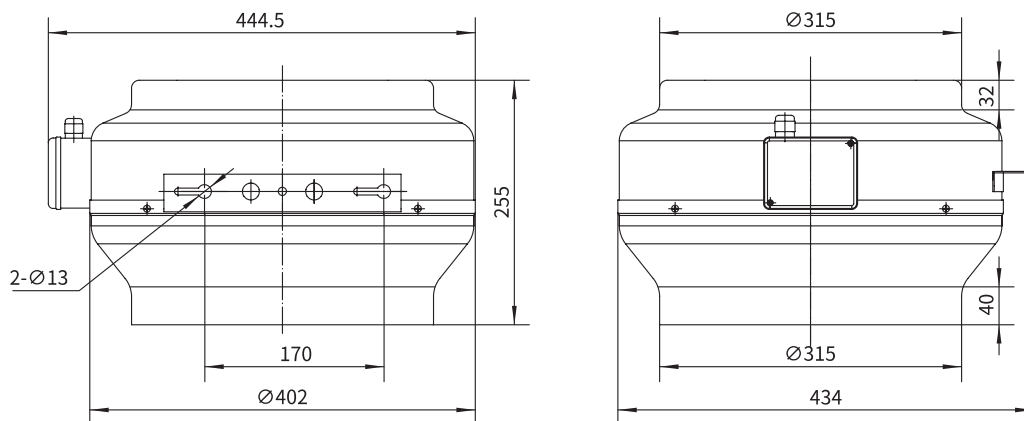
防护等级 Ingress Protection: IP44

绝缘等级 Insulation Class: F

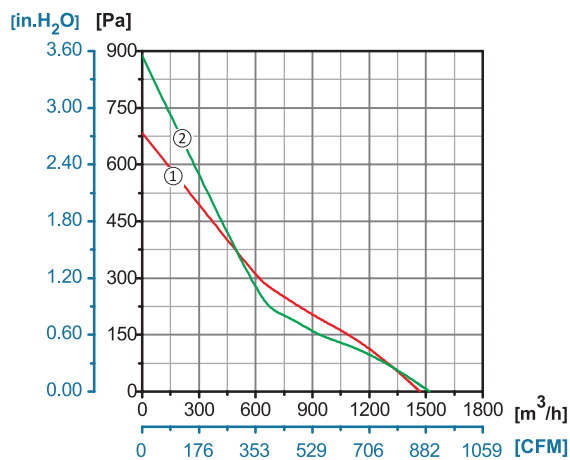
轴承类型 Bearing Type: 免维护滚珠球轴承

Maintenance Free Ball Bearing

### 产品尺寸图 Dimensional Drawings



### 性能曲线 Performance Curves



产品型号 Model No.	电压 Voltage	频率 Frequency	电流 Current	功率 Power	转速 Speed	电容 Capacitor	风量 Air Flow (0 Pa)	噪音 Noise	曲线 Curve	运行温度 Working Temp.	认证 Approvals
	V	Hz	A	W	RPM	μF	[m <sup>3</sup> /h]/[CFM]	dB(A)	No.	Min/Max (°C)	
YWF.G2S-315-255AA2A	110/120	60	2.21	260	2660	28	1520/894	75	②	-30/+60	
YWF.G2S-315-255AA20	220/230	50	0.84	180	2575	7	1470/864	75	①	-30/+60	CCC, CE
	220/230	60	1.19	260	2725	7	1520/894	76	②	-30/+60	CE



## 前倾离心风机

Forward Curved Centrifugal Fan

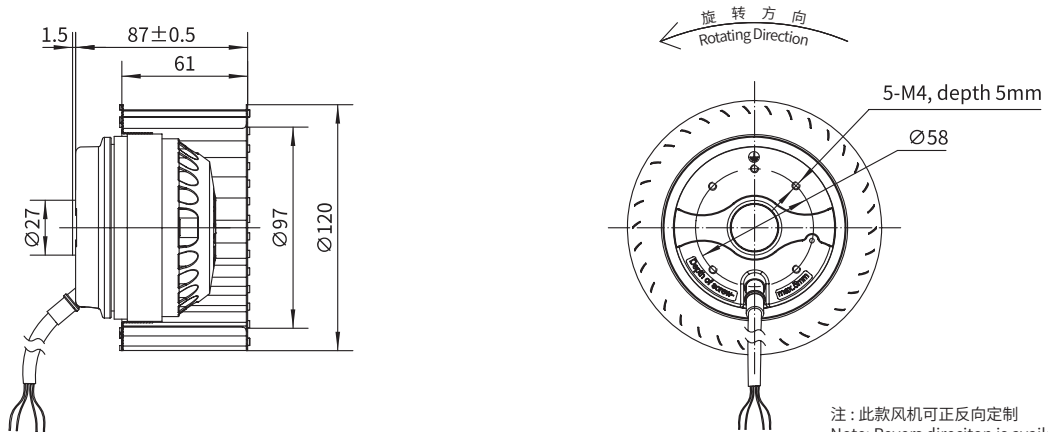




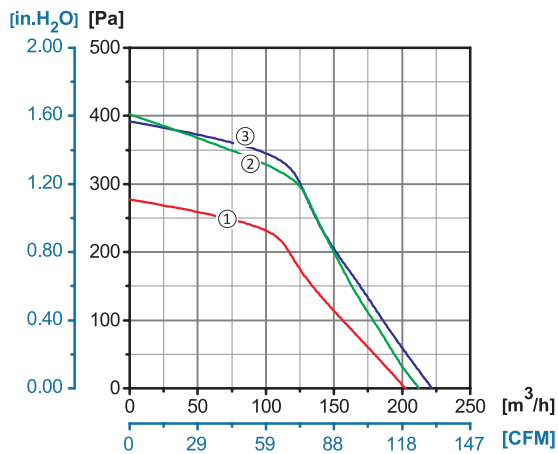

**前倾离心风机**  
**Forward Curved Centrifugal Fan**


## Φ 120

转子材质 Rotor Material: 铸铝 Aluminum Die-casting  
 叶轮材质 Impeller Material: 镀锌板 Galvanized Steel Sheet  
 防护等级 Ingress Protection: IP44  
 绝缘等级 Insulation Class: F  
 轴承类型 Bearing Type: 免维护滚珠球轴承  
 Maintenance Free Ball Bearing

**产品尺寸图 Dimensional Drawings**


注：此款风机可正反向定制  
 Note: Revers direction is available

**性能曲线 Performance Curves**


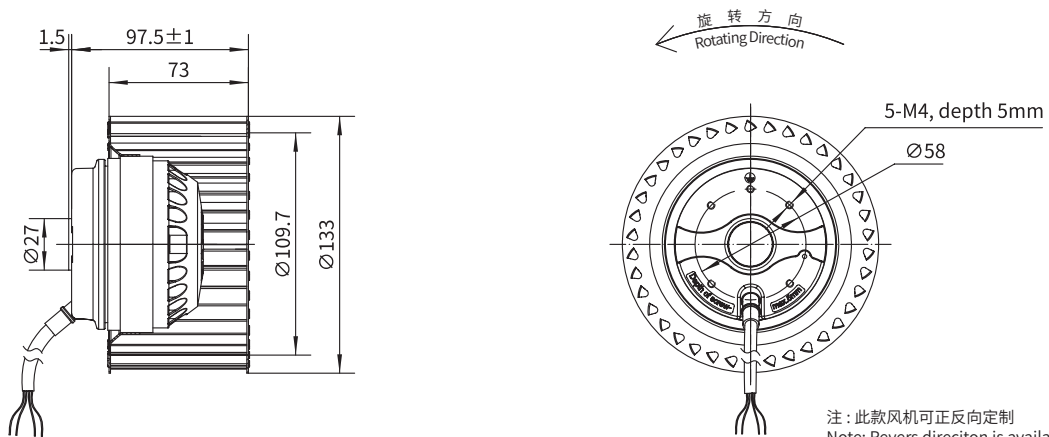
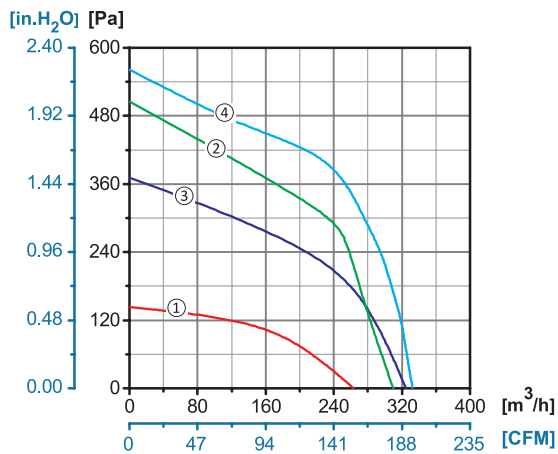
产品型号 Model No.	电压 Voltage	频率 Frequency	电流 Current	功率 Power	转速 Speed	电容 Capacitor	风量 Air Flow (0 Pa)	噪音 Noise	曲线 Curve	运行温度 Working Temp.	认证 Approvals
	V	Hz	A	W	RPM	μF	[m³/h]/[CFM]	dB(A)	No.	Min/Max (°C)	
YWF.F2S-120-060AX2A	110/120	60	0.53	64	2975	6	210/123	66	②	-30/+60	
YWF.F2S-120-060AX20	220/230	50	0.3	65	2650	3	220/120	63	①	-30/+60	CCC, CE
	220/230	60	0.39	80	3000	3	220/129	66	③	-30/+60	CE




**前倾离心风机**  
**Forward Curved Centrifugal Fan**


## Φ 133

转子材质 Rotor Material: 铸铝 Aluminum Die-casting  
 叶轮材质 Impeller Material: 镀锌板 Galvanized Steel Sheet  
 防护等级 Ingress Protection: IP44  
 绝缘等级 Insulation Class: F  
 轴承类型 Bearing Type: 免维护滚珠球轴承  
 Maintenance Free Ball Bearing

**产品尺寸图 Dimensional Drawings**

**性能曲线 Performance Curves**


产品型号 Model No.	电压 Voltage	频率 Frequency	电流 Current	功率 Power	转速 Speed	电容 Capacitor	风量 Air Flow (0 Pa)	噪音 Noise	曲线 Curve	运行温度 Working Temp.	认证 Approvals
	V	Hz	A	W	RPM	μF	[m <sup>3</sup> /h]/[CFM]	dB(A)	No.	Min/Max (°C)	
YWF.F2S-133-073AX2A	110/120	60	0.87	100	2750	10	340/195	66	④	-30/+60	
YWF.F4S-133-073AX2A	110/120	60	0.36	42	1700	6	260/153	58	①	-30/+60	
YWF.F2S-133-073AX20	220/230	50	0.35	75	2500	3	330/194	65	③	-30/+60	CCC, CE
	220/230	60	0.48	100	2600	3	310/182	63	②	-30/+60	CE



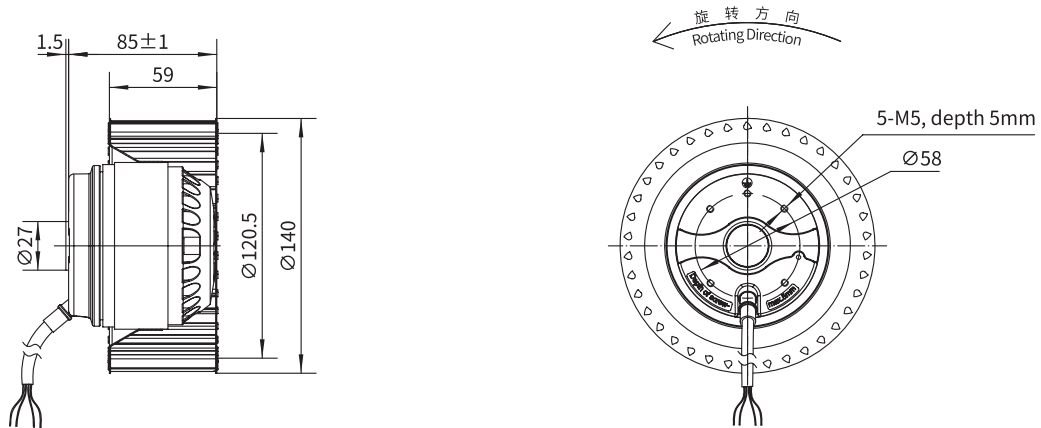
## 前倾离心风机 Forward Curved Centrifugal Fan



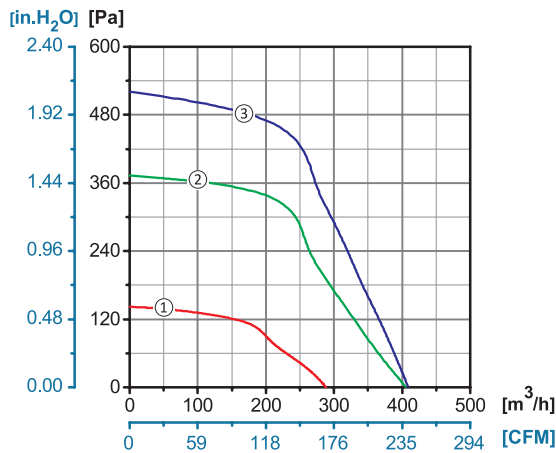
# Φ 140

转子材质 Rotor Material: 铸铝 Aluminum Die-casting  
 叶轮材质 Impeller Material: 镀锌板 Galvanized Steel Sheet  
 防护等级 Ingress Protection: IP44  
 绝缘等级 Insulation Class: F  
 轴承类型 Bearing Type: 免维护滚珠球轴承  
 Maintenance Free Ball Bearing

### 产品尺寸图 Dimensional Drawings

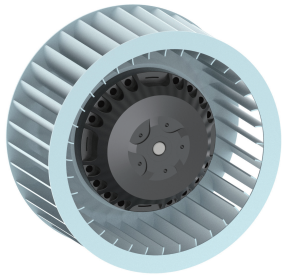


### 性能曲线 Performance Curves



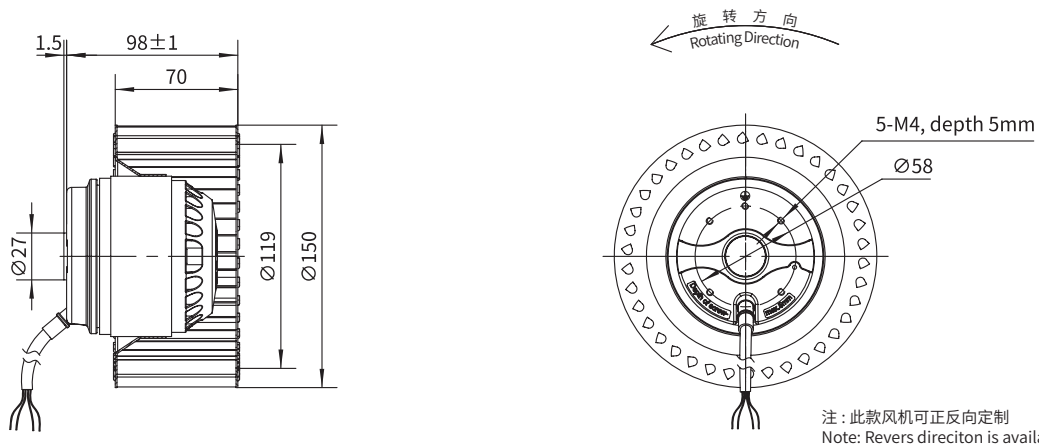
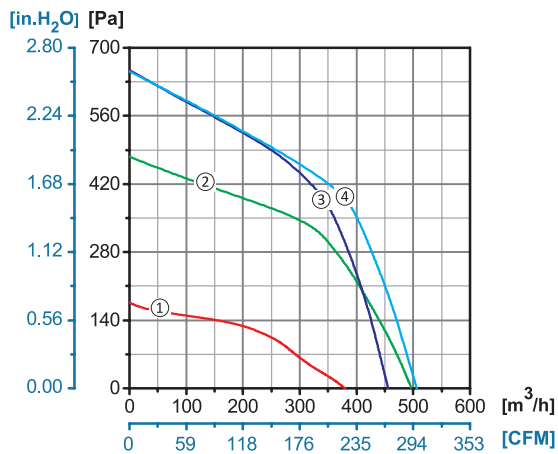
产品型号 Model No.	电压 Voltage	频率 Frequency	电流 Current	功率 Power	转速 Speed	电容 Capacitor	风量 Air Flow (0 Pa)	噪音 Noise	曲线 Curve	运行温度 Working Temp.	认证 Approvals
	V	Hz	A	W	RPM	μF	[m³/h]/[CFM]	dB(A)	No.	Min/Max (°C)	
YWF.F2S-140-059AX2B	110/120	60	1.4	150	3200	16	410/241	71	③	-30/+60	UL
YWF.F4S-140-059AX2A	110/120	60	0.35	42	1700	6	290/170	62	①	-30/+60	
YWF.F2S-140-059AX20	220/230	50	0.39	85	2840	4	390/230	68	②	-30/+60	CCC, CE
	220/230	60	0.65	130	3285	4	400/235	68	③	-30/+60	CE




**前倾离心风机**  
**Forward Curved Centrifugal Fan**


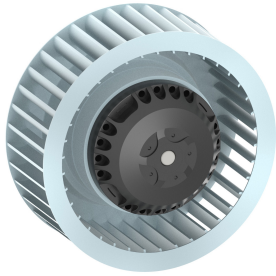
## Φ 150

转子材质 Rotor Material: 铸铝 Aluminum Die-casting  
 叶轮材质 Impeller Material: 镀锌板 Galvanized Steel Sheet  
 防护等级 Ingress Protection: IP44  
 绝缘等级 Insulation Class: F  
 轴承类型 Bearing Type: 免维护滚珠球轴承  
 Maintenance Free Ball Bearing

**产品尺寸图 Dimensional Drawings**

**性能曲线 Performance Curves**


产品型号 Model No.	电压 Voltage	频率 Frequency	电流 Current	功率 Power	转速 Speed	电容 Capacitor	风量 Air Flow (0 Pa)	噪音 Noise	曲线 Curve	运行温度 Working Temp.	认证 Approvals
	V	Hz	A	W	RPM	μF	[m³/h]/[CFM]	dB(A)	No.	Min/Max (°C)	
YWF.F2S-150-070AX2A	110/120	60	1.65	184	2975	20	500/288	70	④	-30/+60	
YWF.F4S-150-070AX2A	110/120	60	0.64	75	1700	8	380/220	65	①	-30/+60	
YWF.F2S-150-070AX20	220/230	50	0.72	136	2630	5	495/291	69	③	-30/+60	CCC, CE
	220/230	60	0.92	190	2930	5	455/267	67	②	-30/+60	CE

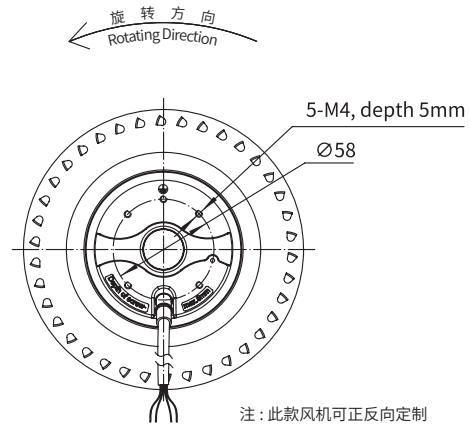
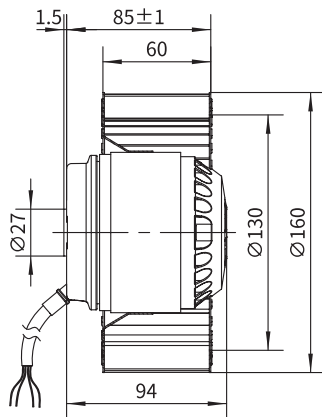
 前倾离心风机  
Forward Curved Centrifugal Fan



## Φ 160

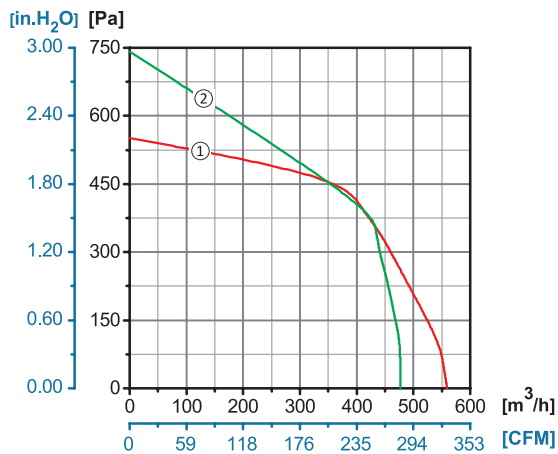
转子材质 Rotor Material: 铸铝 Aluminum Die-casting  
 叶轮材质 Impeller Material: 镀锌板 Galvanized Steel Sheet  
 防护等级 Ingress Protection: IP44  
 绝缘等级 Insulation Class: F  
 轴承类型 Bearing Type: 免维护滚珠球轴承  
 Maintenance Free Ball Bearing

### 产品尺寸图 Dimensional Drawings

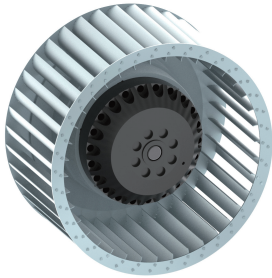


注：此款风机可正反向定制  
Note: Revers direction is available

### 性能曲线 Performance Curves



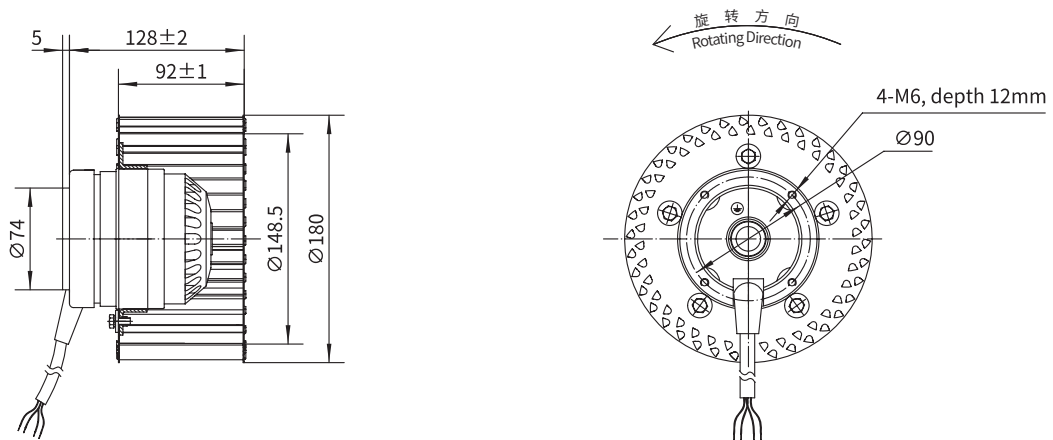
产品型号 Model No.	电压 Voltage	频率 Frequency	电流 Current	功率 Power	转速 Speed	电容 Capacitor	风量 Air Flow (0 Pa)	噪音 Noise	曲线 Curve	运行温度 Working Temp.	认证 Approvals
	V	Hz	A	W	RPM	μF	[m³/h]/[CFM]	dB(A)	No.	Min/Max (°C)	
YWF.F2S-160-060AX20	220/230	50	0.68	145	2675	6	560/325	68	①	-30/+60	CCC, CE
	220/230	60	1.01	213	2900	6	480/240	64	②	-30/+60	


**前倾离心风机**  
**Forward Curved Centrifugal Fan**


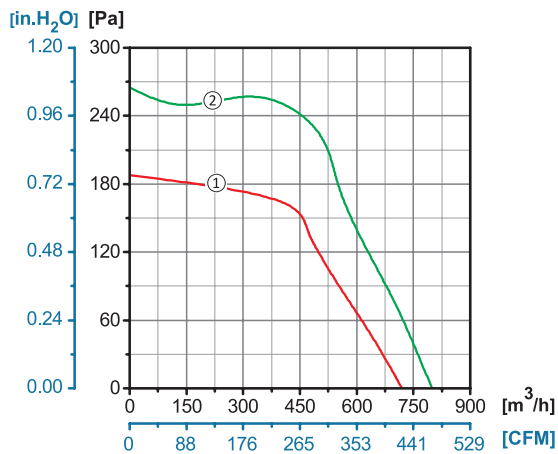
## Φ 180

转子材质 Rotor Material: 铸铝 Aluminum Die-casting  
 叶轮材质 Impeller Material: 镀锌板 Galvanized Steel Sheet  
 防护等级 Ingress Protection: IP54  
 绝缘等级 Insulation Class: F  
 轴承类型 Bearing Type: 免维护滚珠球轴承  
 Maintenance Free Ball Bearing

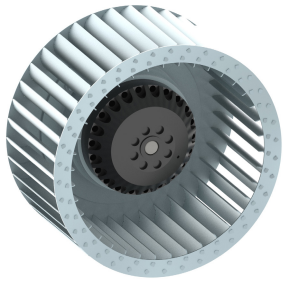
### 产品尺寸图 Dimensional Drawings



### 性能曲线 Performance Curves



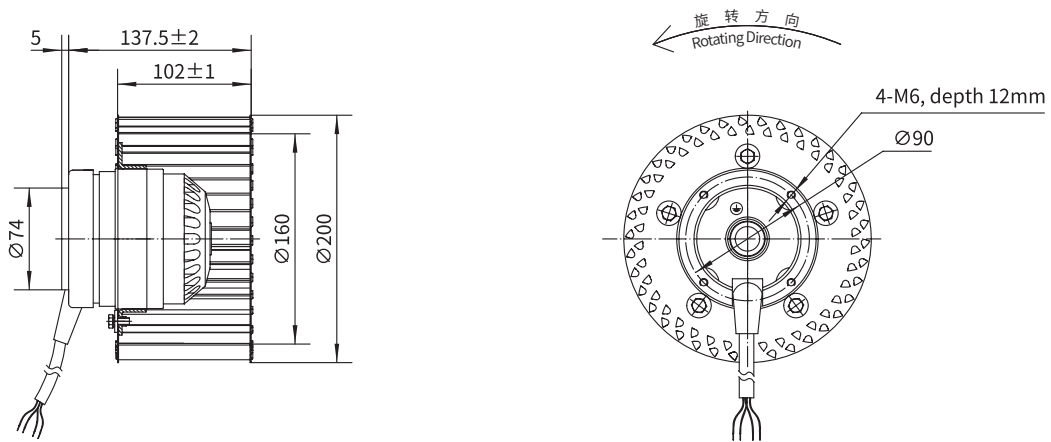
产品型号 Model No.	电压 Voltage	频率 Frequency	电流 Current	功率 Power	转速 Speed	电容 Capacitor	风量 Air Flow (0 Pa)	噪音 Noise	曲线 Curve	运行温度 Working Temp.	认证 Approvals
	V	Hz	A	W	RPM	μF	[m³/h]/[CFM]	dB(A)	No.	Min/Max (°C)	
YWF.F4S-180-092AX0A	110/120	60	1.00	108	1700	12	800/471	67	②	-30/+60	
YWF.F4S-180-092AX00	220/230	50	0.58	95	1450	3.5	720/423	65	①	-30/+60	CCC, CE
	220/230	60	0.48	100	1710	3.5	790/464	67	②	-30/+60	CE


**前倾离心风机**  
**Forward Curved Centrifugal Fan**


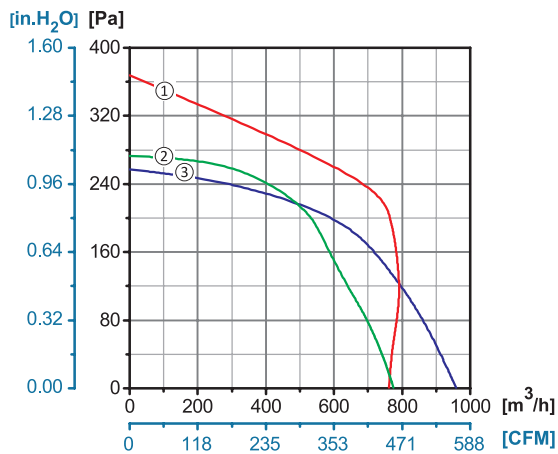
## Φ 200

转子材质 Rotor Material: 铸铝 Aluminum Die-casting  
 叶轮材质 Impeller Material: 镀锌板 Galvanized Steel Sheet  
 防护等级 Ingress Protection: IP54  
 绝缘等级 Insulation Class: F  
 轴承类型 Bearing Type: 免维护滚珠球轴承  
 Maintenance Free Ball Bearing

### 产品尺寸图 Dimensional Drawings



### 性能曲线 Performance Curves



产品型号 Model No.	电压 Voltage	频率 Frequency	电流 Current	功率 Power	转速 Speed	电容 Capacitor	风量 Air Flow (0 Pa)	噪音 Noise	曲线 Curve	运行温度 Working Temp.	认证 Approvals
	V	Hz	A	W	RPM	μF	[m³/h]/[CFM]	dB(A)	No.	Min/Max (°C)	
YWF.F4S-200-102AX0A	110/120	60	1.40	160	1670	12	774/455	59	②	-30/+60	
YWF.F4S-200-102AX00	220/230	50	0.63	120	1400	3.5	960/565	65	③	-30/+60	CCC, CE
	220/230	60	0.70	155	1610	3.5	760/447	61	①	-30/+60	CE





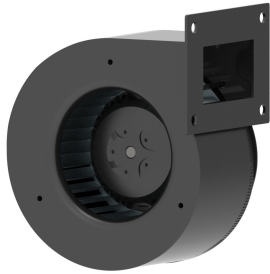
# 前倾鼓风机

Forward Curved Blower





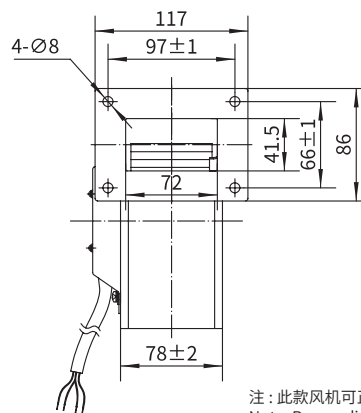
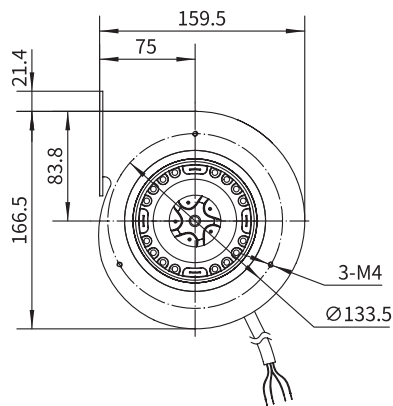



**前倾鼓风机**  
**Forward Curved Blower**


## Φ 120

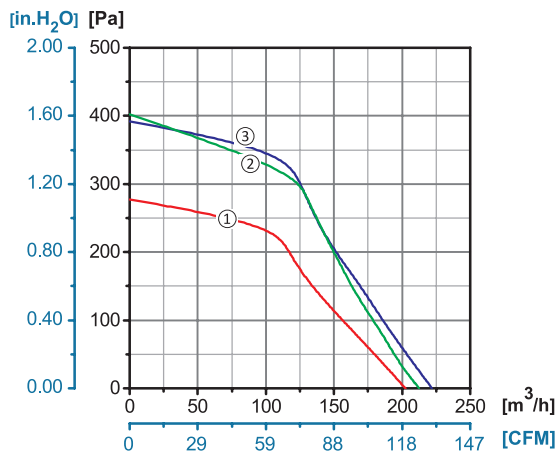
转子材质 Rotor Material: 铸铝 Aluminum Die-casting  
 叶轮材质 Impeller Material: 镀锌板 Galvanized Steel Sheet  
 防护等级 Ingress Protection: IP44  
 绝缘等级 Insulation Class: F  
 轴承类型 Bearing Type: 免维护滚珠球轴承  
 Maintenance Free Ball Bearing

### 产品尺寸图 Dimensional Drawings

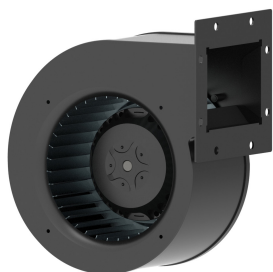


注：此款风机可正反向定制  
 Note: Revers direction is available

### 性能曲线 Performance Curves



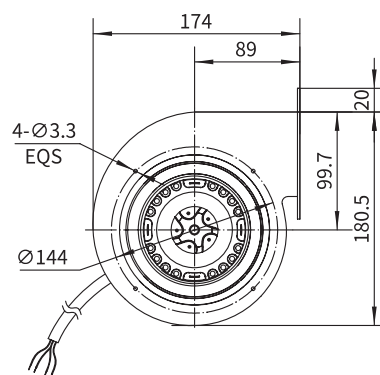
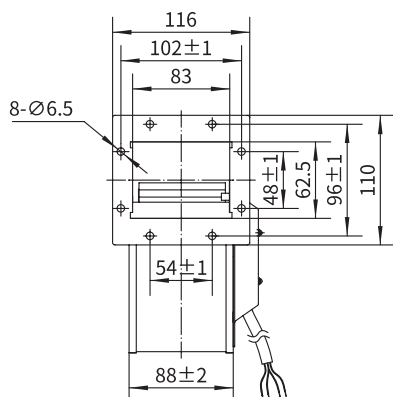
产品型号 Model No.	电压 Voltage	频率 Frequency	电流 Current	功率 Power	转速 Speed	电容 Capacitor	风量 Air Flow (0 Pa)	噪音 Noise	曲线 Curve	运行温度 Working Temp.	认证 Approvals
	V	Hz	A	W	RPM	μF	[m <sup>3</sup> /h]/[CFM]	dB(A)	No.	Min/Max (°C)	
YWF.F2S-120-060AA2A	110/120	60	0.6	72	2800	6	210/123	66	②	-30/+60	
YWF.F2S-120-060AA20	220/230	50	0.31	68	2590	3	200/120	63	①	-30/+60	CCC, CE
	220/230	60	0.42	89	2850	3	220/129	66	③	-30/+60	CE


**前倾鼓风机**  
**Forward Curved Blower**


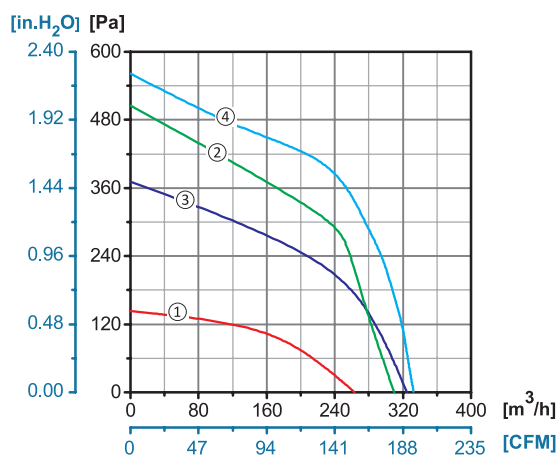
## Φ 133

转子材质 Rotor Material: 铸铝 Aluminum Die-casting  
 叶轮材质 Impeller Material: 镀锌板 Galvanized Steel Sheet  
 防护等级 Ingress Protection: IP44  
 绝缘等级 Insulation Class: F  
 轴承类型 Bearing Type: 免维护滚珠球轴承  
 Maintenance Free Ball Bearing

### 产品尺寸图 Dimensional Drawings



### 性能曲线 Performance Curves

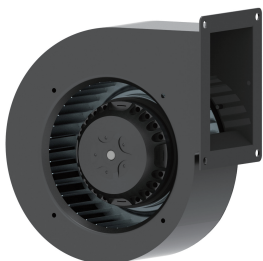


产品型号 Model No.	电压 Voltage	频率 Frequency	电流 Current	功率 Power	转速 Speed	电容 Capacitor	风量 Air Flow (0 Pa)	噪音 Noise	曲线 Curve	运行温度 Working Temp.	认证 Approvals
	V	Hz	A	W	RPM	μF	[m <sup>3</sup> /h]/[CFM]	dB(A)	No.	Min/Max (°C)	
YWF.F2S-133-073AA2A	110/120	60	1.11	133	2025	10	333/192	65	④	-30/+60	
YWF.F4S-133-073AA2A	110/120	60	0.56	56	1575	5	280/164	58	①	-30/+60	
YWF.F2S-133-073AA20	220/230	50	0.46	100	2090	3	330/194	65	③	-30/+60	CCC, CE
	220/230	60	0.55	120	1950	3	310/182	63	②	-30/+60	CE





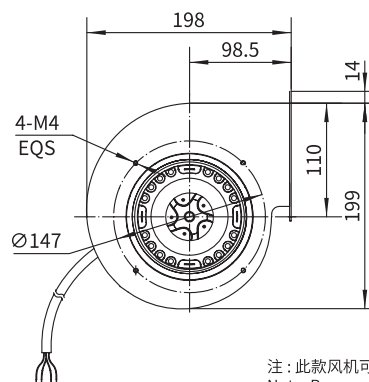
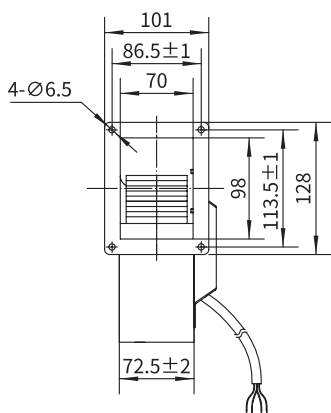
## 前倾鼓风机 Forward Curved Blower



### Φ 140

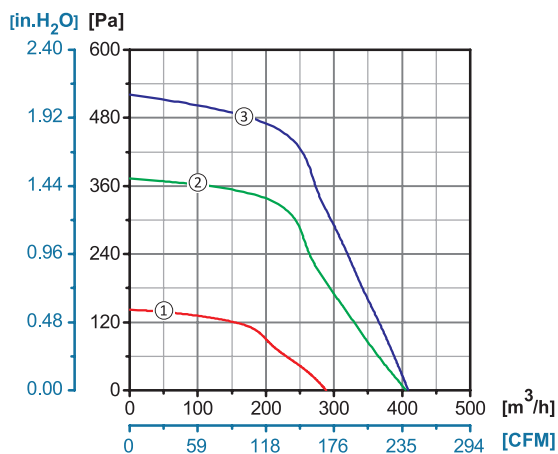
转子材质 Rotor Material: 铸铝 Aluminum Die-casting  
 叶轮材质 Impeller Material: 镀锌板 Galvanized Steel Sheet  
 防护等级 Ingress Protection: IP44  
 绝缘等级 Insulation Class: F  
 轴承类型 Bearing Type: 免维护滚珠球轴承  
 Maintenance Free Ball Bearing

### 产品尺寸图 Dimensional Drawings



注：此款风机可正反向定制  
Note: Revers direction is available

### 性能曲线 Performance Curves



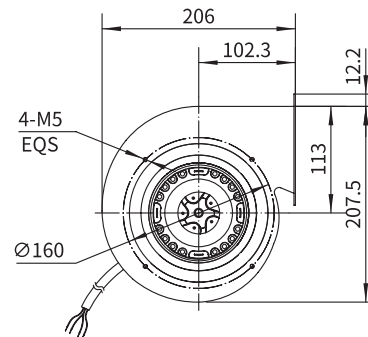
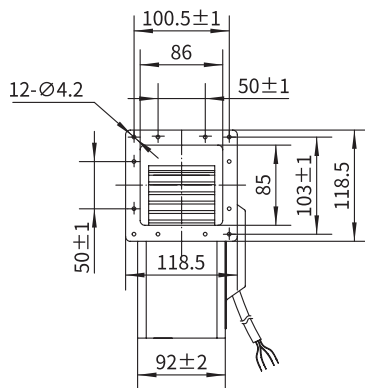
产品型号 Model No.	电压 Voltage	频率 Frequency	电流 Current	功率 Power	转速 Speed	电容 Capacitor	风量 Air Flow (0 Pa)	噪音 Noise	曲线 Curve	运行温度 Working Temp.	认证 Approvals
	V	Hz	A	W	RPM	µF	[m³/h]/[CFM]	dB(A)	No.	Min/Max (°C)	
YWF.F2S-140-059AA2A	110/120	60	1.76	203	2730	20	410/241	71	③	-30/+60	
YWF.F4S-140-059AA2A	110/120	60	0.49	58	1620	6	290/167	62	①	-30/+60	
YWF.F2S-140-059AA20	220/230	50	0.63	136	2600	4	390/266	68	②	-30/+60	CCC, CE
	220/230	60	0.92	200	2700	4	400/235	68	③	-30/+60	CE


**前倾鼓风机**  
**Forward Curved Blower**


## Φ 150

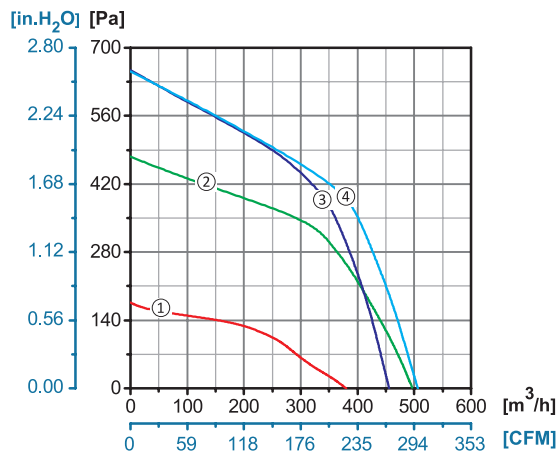
转子材质 Rotor Material: 铸铝 Aluminum Die-casting  
 叶轮材质 Impeller Material: 镀锌板 Galvanized Steel Sheet  
 防护等级 Ingress Protection: IP44  
 绝缘等级 Insulation Class: F  
 轴承类型 Bearing Type: 免维护滚珠球轴承  
 Maintenance Free Ball Bearing

### 产品尺寸图 Dimensional Drawings

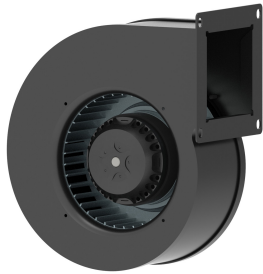


注：此款风机可正反向定制  
 Note: Revers direction is available

### 性能曲线 Performance Curves



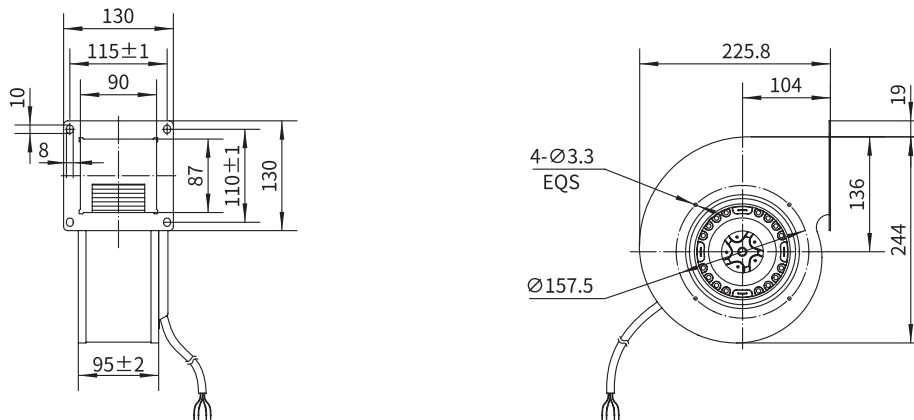
产品型号 Model No.	电压 Voltage	频率 Frequency	电流 Current	功率 Power	转速 Speed	电容 Capacitor	风量 Air Flow (0 Pa)	噪音 Noise	曲线 Curve	运行温度 Working Temp.	认证 Approvals
	V	Hz	A	W	RPM	μF	[m³/h]/[CFM]	dB(A)	No.	Min/Max (°C)	
YWF.F2S-150-070AA2A	110/120	60	1.90	223	2350	20	500/288	72	④	-30/+60	
YWF.F4S-150-070AA2A	110/120	60	0.64	73	1650	8	380/220	65	①	-30/+60	
YWF.F2S-150-070AA20	220/230	50	0.72	157	2280	5	495/291	69	③	-30/+60	CCC, CE
	220/230	60	0.92	200	2150	5	455/267	67	②	-30/+60	CE


**前倾鼓风机**  
**Forward Curved Blower**


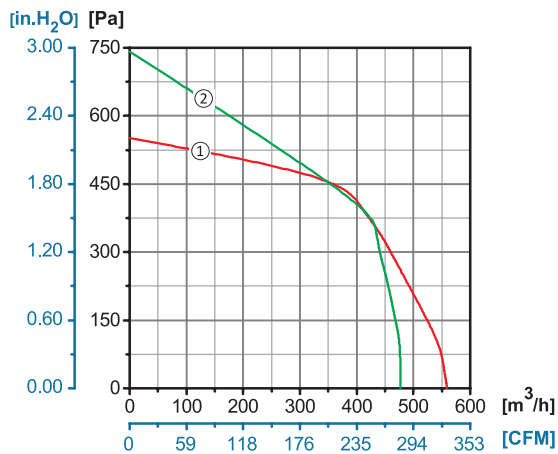
## Φ 160

转子材质 Rotor Material: 铸铝 Aluminum Die-casting  
 叶轮材质 Impeller Material: 镀锌板 Galvanized Steel Sheet  
 防护等级 Ingress Protection: IP44  
 绝缘等级 Insulation Class: F  
 轴承类型 Bearing Type: 免维护滚珠球轴承  
 Maintenance Free Ball Bearing

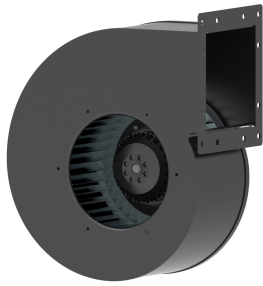
### 产品尺寸图 Dimensional Drawings



### 性能曲线 Performance Curves



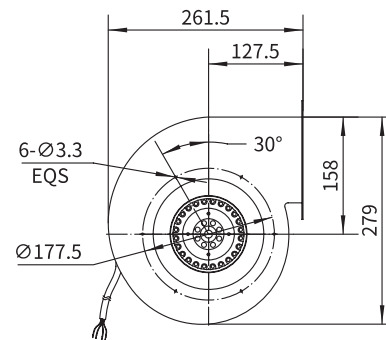
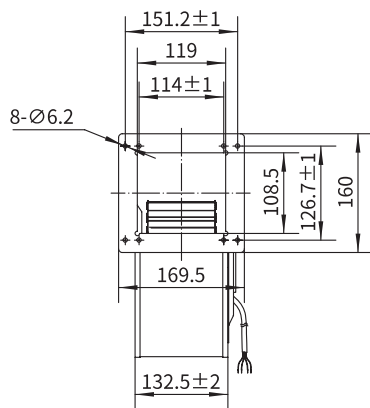
产品型号 Model No.	电压 Voltage	频率 Frequency	电流 Current	功率 Power	转速 Speed	电容 Capacitor	风量 Air Flow (0 Pa)	噪音 Noise	曲线 Curve	运行温度 Working Temp.	认证 Approvals
	V	Hz	A	W	RPM	μF	[m³/h]/[CFM]	dB(A)	No.	Min/Max (°C)	
YWF.F2S-160-060AA20	220/230	50	1.00	223	2020	6	560/320	68	①	-30/+60	CCC, CE
	220/230	60	1.18	260	1780	6	480/280	64	②	-30/+60	CE


**前倾鼓风机**  
**Forward Curved Blower**


## Φ 180

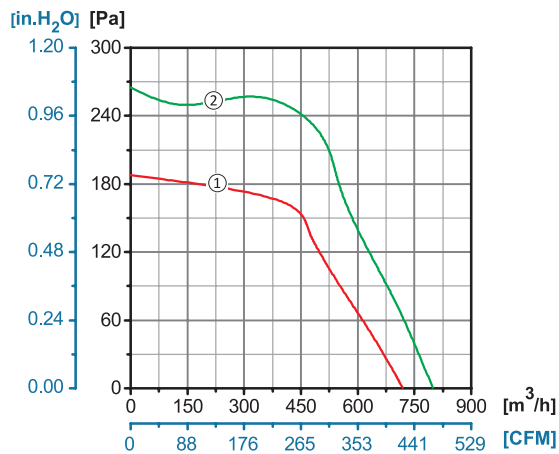
转子材质 Rotor Material: 铸铝 Aluminum Die-casting  
 叶轮材质 Impeller Material: 镀锌板 Galvanized Steel Sheet  
 防护等级 Ingress Protection: IP54  
 绝缘等级 Insulation Class: F  
 轴承类型 Bearing Type: 免维护滚珠球轴承  
 Maintenance Free Ball Bearing

### 产品尺寸图 Dimensional Drawings

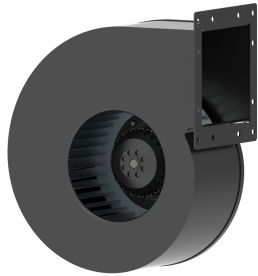


注：此款风机可正反定制  
 Note: Revers direction is available

### 性能曲线 Performance Curves



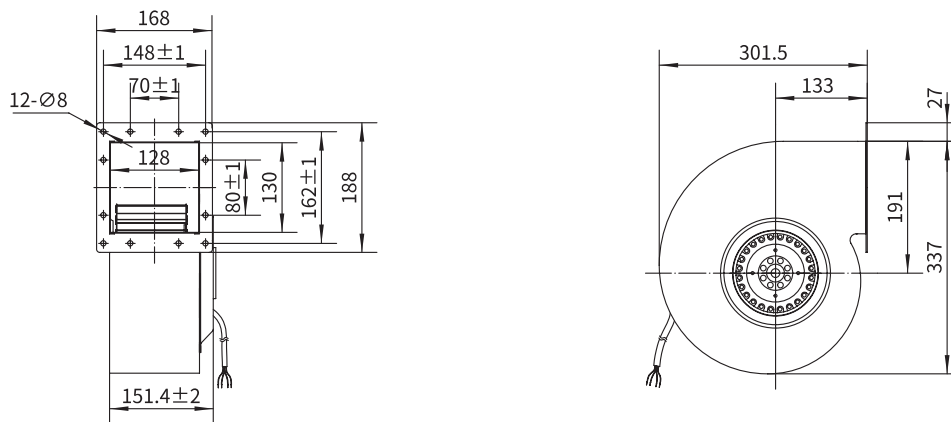
产品型号 Model No.	电压 Voltage	频率 Frequency	电流 Current	功率 Power	转速 Speed	电容 Capacitor	风量 Air Flow (0 Pa)	噪音 Noise	曲线 Curve	运行温度 Working Temp.	认证 Approvals
	V	Hz	A	W	RPM	μF	[m³/h]/[CFM]	dB(A)	No.	Min/Max (°C)	
YWF.F4S-180-092AA0A	110/120	60	1.70	190	1500	12	800/471	67	②	-30/+60	
YWF.F4S-180-092AA00	220/230	50	0.70	140	1330	3.5	720/423	65	①	-30/+60	CCC, CE
	220/230	60	0.90	200	1550	3.5	790/464	67	②	-30/+60	CE


**前倾鼓风机**  
**Forward Curved Blower**


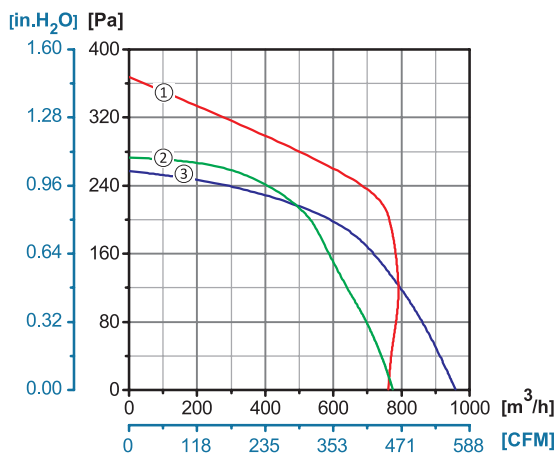
## Φ 200

转子材质 Rotor Material: 铸铝 Aluminum Die-casting  
 叶轮材质 Impeller Material: 镀锌板 Galvanized Steel Sheet  
 防护等级 Ingress Protection: IP54  
 绝缘等级 Insulation Class: F  
 轴承类型 Bearing Type: 免维护滚珠球轴承  
 Maintenance Free Ball Bearing

### 产品尺寸图 Dimensional Drawings



### 性能曲线 Performance Curves



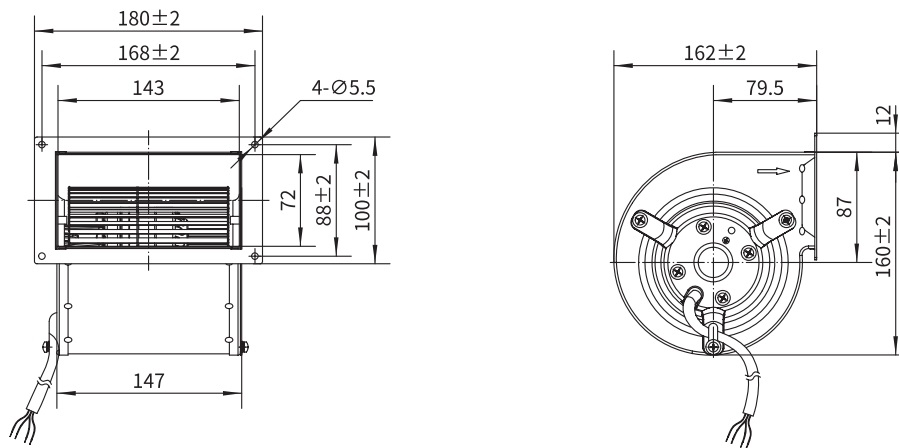
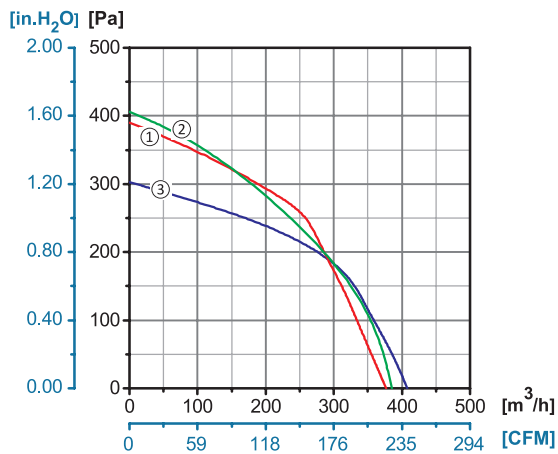
产品型号 Model No.	电压 Voltage	频率 Frequency	电流 Current	功率 Power	转速 Speed	电容 Capacitor	风量 Air Flow (0 Pa)	噪音 Noise	曲线 Curve	运行温度 Working Temp.	认证 Approvals
	V	Hz	A	W	RPM	μF	[m³/h]/[CFM]	dB(A)	No.	Min/Max (°C)	
YWF.F4S-200-102AA0A	110/120	60	1.67	200	940	12	774/455	59	②	-30/+60	
YWF.F4S-200-102AA00	220/230	50	0.90	200	1220	3.5	960/565	65	③	-30/+60	CCC, CE
	220/230	60	1.14	256	1160	3.5	760/447	61	①	-30/+60	CE




**前倾鼓风机 (双进风)**  
**Forward Curved Blower (Dual-inlet)**


# Φ 120

转子材质 Rotor Material: 铸铝 Aluminum Die-casting  
 叶轮材质 Impeller Material: 镀锌板 Galvanized Steel Sheet  
 防护等级 Ingress Protection: IP44  
 绝缘等级 Insulation Class: F  
 轴承类型 Bearing Type: 免维护滚珠球轴承  
 Maintenance Free Ball Bearing

**产品尺寸图 Dimensional Drawings**

**性能曲线 Performance Curves**


产品型号 Model No.	电压 Voltage	频率 Frequency	电流 Current	功率 Power	转速 Speed	电容 Capacitor	风量 Air Flow (0 Pa)	噪音 Noise	曲线 Curve	运行温度 Working Temp.	认证 Approvals
	V	Hz	A	W	RPM	μF	[m <sup>3</sup> /h]/[CFM]	dB(A)	No.	Min/Max (°C)	
YWF.F2S-120-120AA2A	110/120	60	1.10	130	1650	10	385/225	59	②	-30/+60	
YWF.F2S-120-120AA20	220/230	50	0.45	95	1625	3	408/240	60	③	-30/+60	CCC, CE
	220/230	60	0.51	113	1524	3	377/221	57	①	-30/+60	CE



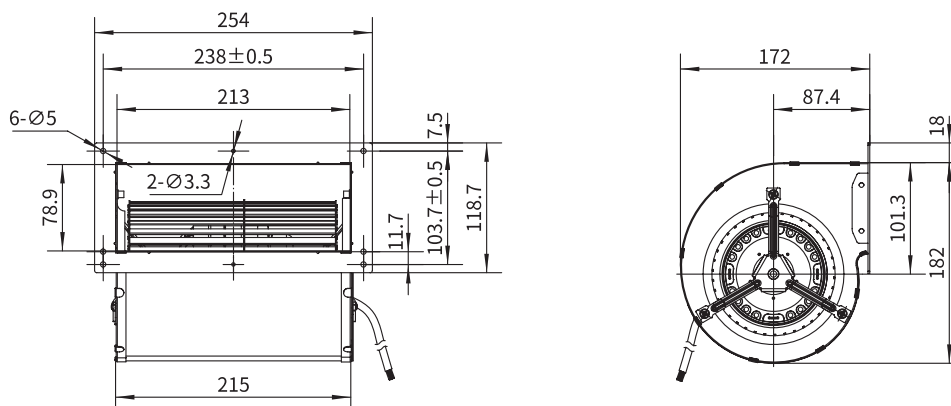
## 前倾鼓风机 (双进风) Forward Curved Blower (Dual-inlet)

# Φ 133

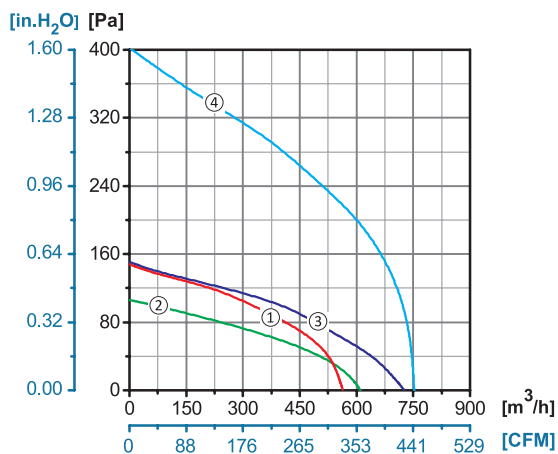


转子材质 Rotor Material: 铸铝 Aluminum Die-casting  
 叶轮材质 Impeller Material: 镀锌板 Galvanized Steel Sheet  
 防护等级 Ingress Protection: IP44  
 绝缘等级 Insulation Class: F  
 轴承类型 Bearing Type: 免维护滚珠球轴承  
 Maintenance Free Ball Bearing

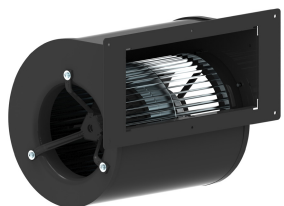
### 产品尺寸图 Dimensional Drawings



### 性能曲线 Performance Curves



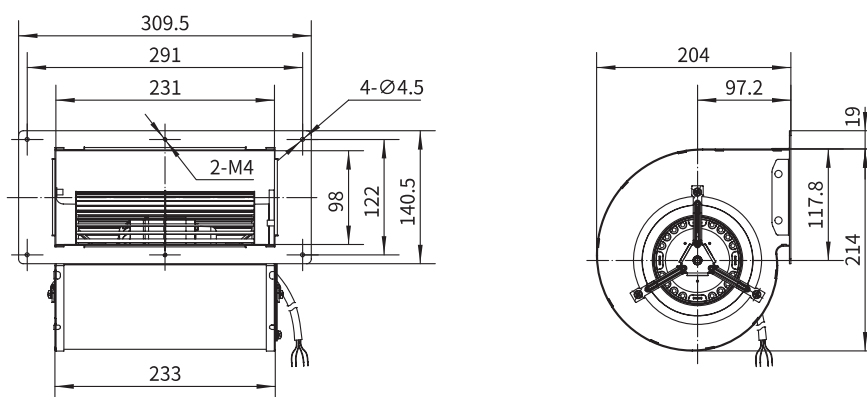
产品型号 Model No.	电压 Voltage	频率 Frequency	电流 Current	功率 Power	转速 Speed	电容 Capacitor	风量 Air Flow (0 Pa)	噪音 Noise	曲线 Curve	运行温度 Working Temp.	认证 Approvals
	V	Hz	A	W	RPM	μF	[m³/h]/[CFM]	dB(A)	No.	Min/Max (°C)	
YWF.F4S-133-190AA0A	110/120	60	0.92	102	1430	10	560/329	61	①	-30/+60	
YWF.F2S-133-190AA00	220/230	50	1.28	280	1840	7	750/441	68	④	-30/+60	CCC, CE
YWF.F4S-133-190AA00	220/230	50	0.41	90	1380	5	610/350	61	②	-30/+60	CCC, CE
	220/230	60	0.60	123	1600	5	730/420	66	③	-30/+60	CE


**前倾鼓风机 (双进风)**  
**Forward Curved Blower (Dual-inlet)**


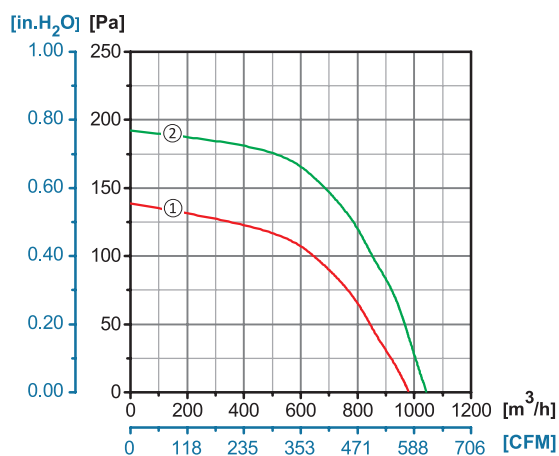
## Φ 146

转子材质 Rotor Material: 铸铝 Aluminum Die-casting  
 叶轮材质 Impeller Material: 镀锌板 Galvanized Steel Sheet  
 防护等级 Ingress Protection: IP44  
 绝缘等级 Insulation Class: F  
 轴承类型 Bearing Type: 免维护滚珠球轴承  
 Maintenance Free Ball Bearing

### 产品尺寸图 Dimensional Drawings



### 性能曲线 Performance Curves



产品型号 Model No.	电压 Voltage	频率 Frequency	电流 Current	功率 Power	转速 Speed	电容 Capacitor	风量 Air Flow (0 Pa)	噪音 Noise	曲线 Curve	运行温度 Working Temp.	认证 Approvals
	V	Hz	A	W	RPM	μF	[m <sup>3</sup> /h]/[CFM]	dB(A)	No.	Min/Max (°C)	
YWF.F4S-146-189AA00	220/230	50	0.54	117	1320	5	980/576	61	①	-30/+60	CCC, CE
	220/230	60	0.83	173	1460	5	1041/612	66	②	-30/+60	CE



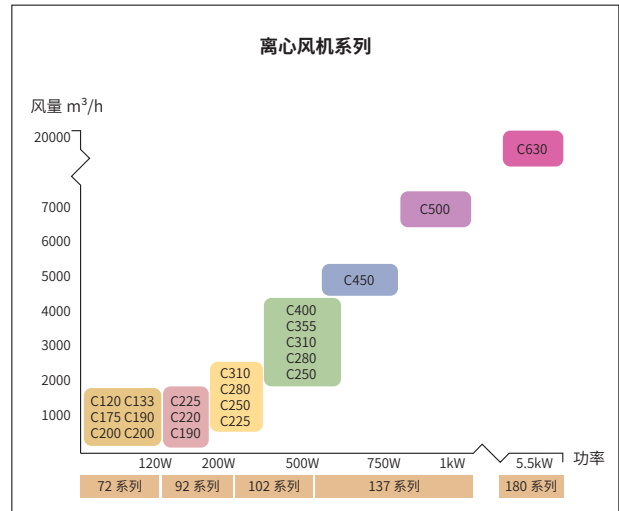
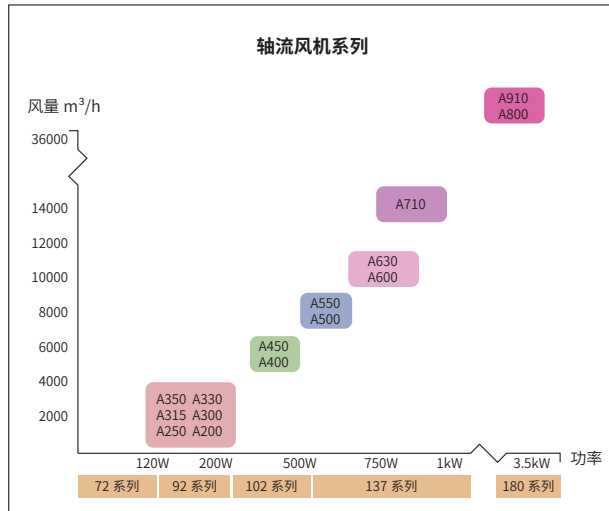
# 产品应用知识及案例

## 1. 风机类型及应用

	轴流风机	后倾离心风机	前倾离心风机 (鼓风机)
风机类型			
特点	适用于大流量，低静压，系统阻力较小的场合。	适用于大流量，高静压，系统阻力较大，噪声要求较高的场合。	适用于大流量、高静压、系统阻力、内部空间要求较高的场合。
主要应用	空调终端 冷凝器、蒸发器 冷水机、冷风机组 空调风机 排风换气 冷库冷藏 设备散热 暖通行业 其它相关行业	空气净化 通风单元 空调终端、空调风机 地板通风 热泵、地源热泵、空气能热泵 屋顶风机 净化过滤 设备散热 其它相关行业	盘管机组 空气净化 通风单元 屋顶风机 排风换气 其它相关行业



## 2. 覆盖范围及主要工作范围



注：A- 轴流风机 C- 离心风机

## 3. 常用基本符号

名称	符号	单位	名称	符号	单位
额定电压	U	V	输入功率	$P_{in}$	W
额定电流	$I_n$	A	输出功率	$P_{out}$	W
转速	n	r/min	电机效率	$\eta_m$	-
供电频率	f	Hz	风机效率	$\eta_f$	-
功率因数	$\cos\phi$	-	额定转矩	$T_N$	N.m
绝缘等级	B/F/H	-	堵转转矩	$T_b$	N.m
防护等级	IP	-	启动转矩	$T_s$	N.m
面积	A	m <sup>2</sup>	速度	V	m/s
体积	V	m <sup>3</sup>	电容	C	μF
质量	m	kg	力	F	N
风量	qv	m <sup>3</sup> /h	风压	p	Pa
	1CFM=1.699 m <sup>3</sup> /h	CFM		1inH <sub>2</sub> O= 249Pa	in.H <sub>2</sub> O
流速	c	m/s	全压	$P_t$	Pa
阻力系数	$\zeta$	-	静压	$P_s$	Pa
叶轮直径	D	m	A 声压级	$L_{PA}$	dB(A)
半径	r	m(mm)	环境声级	$L_eA$	dB(A)
叶轮平衡等级	G	mm/s	空气密度	$\rho$	kg/m <sup>3</sup>
转动惯量	J	kg.m <sup>2</sup>	角速度	$\omega$	rad/s
绝对温度	T	K	重力加速度	g	m/s <sup>2</sup>
摄氏温度	t	°C	叶轮圆周速度	$u_2$	m/s

#### 4.基本公式定律

公式①：

$$\frac{qv_2}{qv_1} = \frac{n_2}{n_1} \times \left\{ \frac{D_2}{D_1} \right\}^3$$

公式②：

$$\frac{p_2}{p_1} = \left\{ \frac{n_2}{n_1} \right\}^2 \times \left\{ \frac{D_2}{D_1} \right\}^2 \times \left\{ \frac{\rho_2}{\rho_1} \right\}$$

公式③：

$$\frac{P_{w2}}{P_{w1}} = \left\{ \frac{n_2}{n_1} \right\}^3 \times \left\{ \frac{D_2}{D_1} \right\}^5 \times \left\{ \frac{\rho_2}{\rho_1} \right\}$$

公式④：

$$L_p A_2 - L_p A_1 = 60\text{dB} \times \text{Log} \left\{ \frac{n_2}{n_1} \right\}$$

公式⑤：

$$P_{OUT} = T_n \times \omega_n = \frac{\pi}{30} \times T_n \times n$$

定义：

qv	风量	m <sup>3</sup> /h	D	风轮直径	mm
P	风压	Pa	ρ	空气密度	Kg/m <sup>3</sup>
Pw	轴功率	W	LpA	噪声	dB
n	转速	rpm			

结论：

1. 风轮、空气密度、环境不变的情况下，风量与转速成正比。
2. 风压与转速的平方、风轮直径的平方成正比，空气密度成正比。
3. 轴功率与转速的3次方成正比，风轮直径的5次方成正比，与空气密度成正比。
4. 输出功率取决于扭矩以及转速。

#### 5.实际案例

例 1:

某通讯基站行业设备散热空调使用后倾离心式风机，正常工作条件为 2500m<sup>3</sup>/h@200Pa，轴功率为 168W（输入功率 210W），转速为 1660rpm，噪声 60dB。因客户增大散热器的面积，希望将风量提升到 3000m<sup>3</sup>/h@200Pa，请问在相同压力下，风机能否满足要求？另一客户非常重视控制噪声，希望将转速降低到 1400rpm 使用，请问在同等压力条件下的风量，轴功率以及噪音值状况如何？

答：

根据公式①可以推算出此时的风机转速为：

$$\frac{qv_2}{qv_1} = \frac{n_2}{n_1} \times \left\{ \frac{D_2}{D_1} \right\}^3 \rightarrow \frac{3000}{2500} = \frac{n_2}{1660}$$

$$\therefore n_2 = 1990\text{rpm}$$

根据公式③可以推算出风机的轴功率为：

$$\frac{P_{w2}}{P_{w1}} = \left\{ \frac{n_2}{n_1} \right\}^3 \times \left\{ \frac{D_2}{D_1} \right\}^5 \times \left\{ \frac{\rho_2}{\rho_1} \right\} \rightarrow \frac{P_{w2}}{168} = \left\{ \frac{1990}{1660} \right\}^3$$

$$\therefore P_{w2} = 290\text{W} \text{ 此时输入功率为 } 360\text{W}$$

经过判定，后倾离心 355 风机使用 102 系列电机，经过温升，强度，寿命等判断，可以在 3000m<sup>3</sup>@200Pa 的条件下使用。这是一个可以升速使用的案例，当推算结果超出当前风机 V 的最大负载能力及温升能力时，则必须通过增大风机式样或者降低转速以及功率，以保证风机在安全状态下运行。

同理对于降低转速使用的情况

根据公式①可以推算出此时的风机风量为：

$$\frac{qv_2}{qv_1} = \frac{n_2}{n_1} \times \left\{ \frac{D_2}{D_1} \right\}^3 \rightarrow \frac{qv_2}{2500} = \frac{1400}{1660}$$

$$\therefore qv_2 = 2100 \text{ m}^3/\text{h}$$

根据公式③可以推算出风机的轴功率为：

$$\frac{P_{w2}}{P_{w1}} = \left\{ \frac{n_2}{n_1} \right\}^3 \times \left\{ \frac{D_2}{D_1} \right\}^5 \times \left\{ \frac{\rho_2}{\rho_1} \right\} \rightarrow \frac{P_{w2}}{168} = \left\{ \frac{1400}{1660} \right\}^3$$

$$\therefore P_{w2} = 100\text{W} \text{ 此时输入功率为 } 125\text{W}$$

根据公式④可以推算出风机的噪声为：

$$L_p A_2 - L_p A_1 = 60\text{dB} \times \text{Log} \left\{ \frac{n_2}{n_1} \right\}$$

$$\therefore L_p A_2 = 55.5\text{dB}$$

根据以上推算，如果噪声满足要求的情况下，需要判断风量等是否满足设备需求。

例 2:

某客户使用的轴流 A450 型风机在冷库设备中运行，环境温度长期维持在 -35℃ 条件，产品使用时发生烧毁或者转速不足的情况，请判断是何原因？产品选型时是以常温环境为基准，运转条件：转速 1400rpm，风量 5000m<sup>3</sup>@40Pa，轴功率为 290W（输入功率 360W）。



答：

推测主要原因是由于低温环境下空气密度过大导致负载增加，从而产生异常情况发生。

在相同转速情况下以及设备与风机尺寸相同的情况下：我们可以查询到在不同温度下的空气密度为：

**1.2 Kg/m<sup>3</sup>@-35°C, 0.92Kg/m<sup>3</sup>@25°C,**

根据公式③可以推算出风机的轴功率为：

$$\frac{P_{w2}}{P_{w1}} = \left\{ \frac{n_2}{n_1} \right\}^3 \times \left\{ \frac{D_2}{D_1} \right\}^5 \times \left\{ \frac{\rho_2}{\rho_1} \right\} \rightarrow \frac{P_{w2}}{290} = \frac{1.2}{0.92}$$

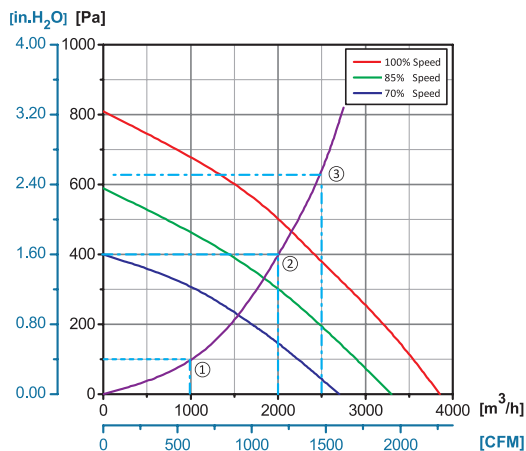
∴ P<sub>w2</sub> = 378W 此时输入功率为 473W

输入功率增加了近 31%，在负载加重的情况下必须确认风机的温升，效率，机械特性等，该案件判断负载加重导致风机温升过高。

对于在低温环境下使用的风机产品，建议选择型号更大的本体以及风轮叶片，以弥补低温环境下增加的负载消耗。

## 6. 阻力曲线

阻力是指设备中的滤网、管道、冷凝器、管道、机械构造等所有压损的总和，如下图显示一款设备的阻力曲线。



系统的阻力曲线关系式如下：

公式⑥：

$$\frac{P_{sf2}}{P_{sf1}} = \left\{ \frac{qV_2}{qV_1} \right\}^2$$

由上图可知，

图中 1 点为 1000 m<sup>3</sup>@100Pa

图中 2 点为 2000 m<sup>3</sup>@400Pa

图中 3 点为 2500 m<sup>3</sup>@625Pa

即：在设备构成保持相同的情况下，风量增加 2 倍，需要增加的压力达到 4 倍才能保证该设备正常工作。

而克服设备阻力所需要的能量可通过下式推算：

公式⑦：

$$P = \frac{qv \times p}{3600 \times 1000}$$

因为设备在开发测试环节很多条件与实际使用时有或多或少的差别，所以，选择风机时尽可能保证一定的余量。

由上图我们看到，设计使用在工作点 1 和工作点 2，通过调试，可以满足使用要求，而工作点 3 已经超过了风机的最大负载能力，需要重新选型才可。另外，风机特性以及工程能力相对是比较稳定的，出现设计与实际产生偏差绝大部分是设备或者环境发生变化导致。

## 7. 风机使用过程中的注意事项

### 7.1 轴流风机导风圈位置的影响

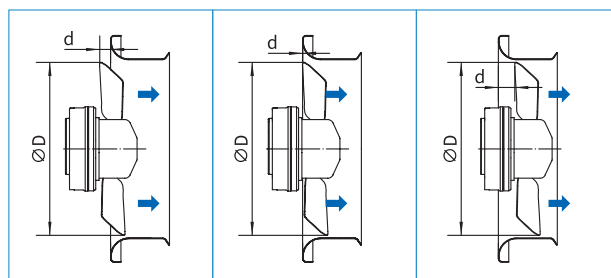


图 1

图 2

图 3

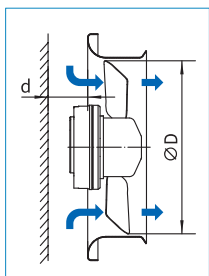
导风圈在使用过程中可以有效提升风机的风量风压以及效率，在实际使用中，风机安装位置不同也会产生不同的效果，具体见下表：

	最大风压	风量 (相同风压)
<b>d/D= 10% 图 1</b>	96%	96%
<b>d/D= 5%</b>	97.8%	97.8%
<b>d/D= 0% 图 2</b>	<b>100% 基准</b>	<b>100% 基准</b>
<b>d/D= -5%</b>	100%	96.2%
<b>d/D=-10% 图 3</b>	100%	92%

以上数据是根据大量的实际测试结果总结得到的，数据仅供参考，反应产品的趋向性，由于在实际使用过程中设备的类型、构造、环境等各不相同，其影响也会与本数据有若干差距。

### 7.2 轴流风机安装位置的影响-1



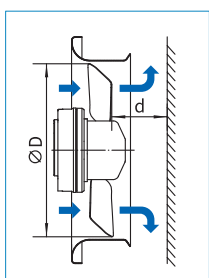


导风圈在使用过程中可以有效提升风机的风量风压以及效率，在实际使用中，风机安装位置不同也会产生不同的效果，具体见下表：

	最大风压	风量 (相同风压)
$d/D = \infty$	100% 基准	100% 基准
$d/D = 40\%$	76%	95%
$d/D = 20\%$	55%	91%
$d/D = 10\%$	32%	65%
$d/D = 5\%$	16%	无效

该种安装方式对风压风量的影响都非常大，特别是风压方面，所以需要尽力避免。以上数据是根据大量的实际测试结果总结得到的，数据供参考，反应使用的趋向性，由于在实际使用过程中设备的类型、构造、环境等各不相同，其影响也会与本数据有若干差距。

### 7.3 轴流风机安装位置的影响-2



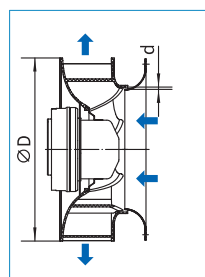
具体见下表：

	最大风压	风量 (相同风压)
$d/D = \infty$	100% 基准	100% 基准
$d/D = 40\%$	100%	97.5%
$d/D = 20\%$	100%	90%
$d/D = 10\%$	100%	70%
$d/D = 5\%$	100%	34%

该种安装方式主要对输出风量产生一定的影响，所以，尽可能保持输出方向的空间距离。以上数据是根据大量的

实际测试结果总结得到的，数据供参考，反应使用的趋向性，由于在实际使用过程中设备的类型、构造、环境等各不相同，其影响也会与本数据有若干差距。

### 7.4 离心风机导风圈间隙的影响-1

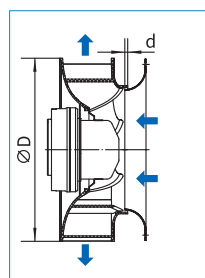


导风圈在使用过程中可以有效提升风机的风量风压以及效率，在实际使用中，间隙大小会产生不同的效果，具体见下表：

	最大风压	风量 (相同风压)
$d/D = 0.5\%$	100% 基准	100% 基准
$d/D = 1.0\%$	100%	97.2%
$d/D = 2.0\%$	100%	94%

导风圈与风轮进风口内径理论上间隙越小，风机的风量，效率越高。但是限于零部件精度、安装公差、设备变形等影响，推荐使用顿力标准导风圈或者按照 1% 至 2% 之间设计。以上数据是根据大量的实际测试结果总结得到的，数据供参考，反应使用的趋向性，由于在实际使用过程中设备的类型、构造、环境等各不相同，其影响也会与本数据有若干差距。

### 7.5 离心风机导风圈间隙的影响-2



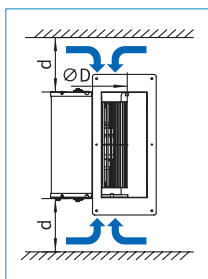
具体见下表：

	最大风压	风量 (相同风压)
$d/D = 1.0\%$	100% 基准	100% 基准
$d/D = 0.0\%$	100%	97%
$d/D = -1.0\%$	95%	90%



导风圈与风轮进风口内径的深入尺寸是有一个合理的值，过深可能引起机械干涉，过浅则可能导致风量及效率降低。但是限于零部件精度、安装公差、设备变形等影响，推荐按照 1% 设计。以上数据是根据大量的实际测试结果总结得到的，数据供参考，反应使用的趋向性，由于在实际使用过程中设备的类型、构造、环境等各不相同，其影响也会与本数据有若干差距。

### 7.6 前倾离心风机进风口距离影响



前倾风机的进风口距离侧壁的距离会产生重要的影响。具体见下表：

	最大风压	风量 (相同风压)
$d/D = \infty$	100% 基准	100% 基准
$d/D = 40\%$	98%	95%
$d/D = 20\%$	97%	79%
$d/D = 10\%$	85%	50%
$d/D = 5\%$	70%	20%

理论上该尺寸越大，风机的风量，效率越好，但鉴于设备设计过程中的尺寸限制，尽可能保证该尺寸在 50% 设定比较合理，或者在钣金上直接设置进风口，以提升风机效果。以上数据是根据大量的实际测试结果总结得到的，数据供参考，反应使用的趋向性，由于在实际使用过程中设备的类型、构造、环境等各不相同，其影响也会与本数据有若干差距。

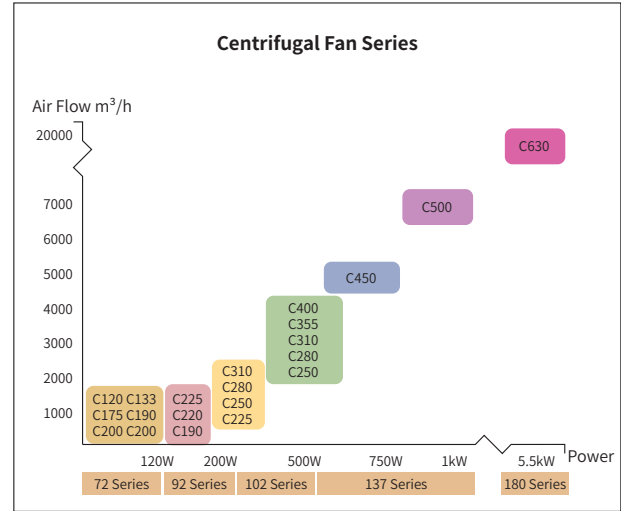
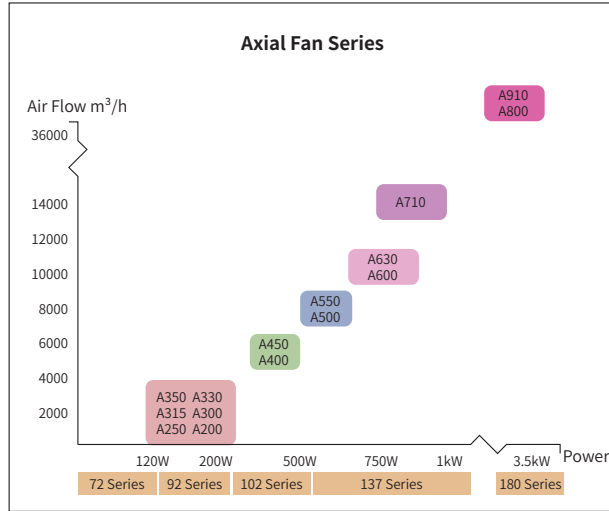
# Product Application Knowledge & Case Analyses

## 1. TYPES & APPLICATION OF FAN

	Axial Fan	Backward Curved Centrifugal Fan	Forward Curved Centrifugal Fan (Blower)
Types of Fan			
Characteristics	Applicable to high airflow, low pressure, and small system resistance occasions.	Applicable to high airflow, high pressure, large system resistance, and high requirement of noise level applications.	Suitable for occasions of high airflow, high pressure, larger system resistance and limited internal space.
Main Application	Air-conditioning Terminals Condensers, Evaporators Water Chillers, Cooling Units Air-conditioning Fans Exhaust Ventilation Cold Storages Equipment Cooling HVAC Industry Other Related Industries	Air Purification Ventilating Units Air-conditioning Terminals, Air-conditioning Fans, Floor Ventilation Heat Pumps, Ground Source Heat Pumps, Air Source Heat Pumps Roof Fans Filtering, FFU Equipment Cooling Other Related Industries	Coil Units Air Purification Ventilating Units Roof Fans Exhaust Ventilation Other Related Industries



## 2. Coverage and Mainly Working Scope



Notes: A-Axial fan C- Centrifugal fan

## 3. Basic Symbols

Designation	Symbol	SI Unit	Designation	Symbol	SI Unit
Rated voltage	U	V	Rated power in	$P_{in}$	W
Rated current	$I_n$	A	Rated power out	$P_{out}$	W
Motor speed/ rpm	n	r/min	Motor efficiency	$\eta_m$	-
Power frequency	f	Hz	Fan efficiency	$\eta_f$	-
Power factor	$\cos\Phi$	-	Rated torque	$T_N$	N.m
Insulation class	B/F/H	-	Locked torque	$T_b$	N.m
Protection grade	IP	-	Starting torque	$T_s$	N.m
Area	A	m <sup>2</sup>	Speed	V	m/s
Volume	V	m <sup>3</sup>	Capacitor	C	μF
Weight	m	kg	Force	F	N
Air flow	qv	m <sup>3</sup> /h	Air pressure	p	Pa
	1CFM=1.699 m <sup>3</sup> /h	CFM		1inH <sub>2</sub> O= 249Pa	in.H <sub>2</sub> O
Flow speed	c	m/s	Total pressure	$P_t$	Pa
Coefficient of resistance	$\zeta$	-	Static pressure	$P_s$	Pa
Impeller diameter	D	m	Sound pressure level A	$L_{PA}$	dB(A)
Radius	r	m(mm)	Environmental sound level	$L_eA$	dB(A)
Impeller balance grade	G	mm/s	Density of air	$\rho$	kg/m <sup>3</sup>
Moment of inertia	J	kg.m <sup>2</sup>	Angular velocity	$\omega$	rad/s
Temperature in Kelvin	T	K	Acceleration of gravity	g	m/s <sup>2</sup>
Temp in Celsius	t	°C	Peripheral speed	$u_2$	m/s

#### 4. Basic Formula & Laws

Formula ① :

$$\frac{qv_2}{qv_1} = \frac{n_2}{n_1} \times \left\{ \frac{D_2}{D_1} \right\}^3$$

Formula ② :

$$\frac{p_2}{p_1} = \left\{ \frac{n_2}{n_1} \right\}^2 \times \left\{ \frac{D_2}{D_1} \right\}^2 \times \left\{ \frac{\rho_2}{\rho_1} \right\}$$

Formula ③ :

$$\frac{P_{w2}}{P_{w1}} = \left\{ \frac{n_2}{n_1} \right\}^3 \times \left\{ \frac{D_2}{D_1} \right\}^5 \times \left\{ \frac{\rho_2}{\rho_1} \right\}$$

Formula ④ :

$$L_p A_2 - L_p A_1 = 60\text{dB} \times \text{Log} \left\{ \frac{n_2}{n_1} \right\}$$

Formula ⑤ :

$$P_{OUT} = T_n \times \omega_n = \frac{\pi}{30} \times T_n \times n$$

**Definition:**

q <sub>v</sub>	Airflow	m <sup>3</sup> /h	D	Impeller Diameter	mm
P	Pressure	Pa	ρ	Air Density	Kg/m <sup>3</sup>
P <sub>w</sub>	Shaft Power	W	L <sub>p</sub> A	Noise	dB
n	Rotational Speed	rpm			

Conclusion:

- 1.The airflow is in proportion to rotating speed in the case of the propeller, air density and environment are unchanged.
- 2.The pressure is direct proportion with the rotating speed squared; impeller diameter squared and air density.
- 3.The shaft power is proportional to the rotating speed cubed, impeller diameter to the power 5th and air density.
- 4.Output power lies on torque and rotating speed.

#### 5. Practical Cases

**Case 1:**

A certain communication base station which is using a backward curved centrifugal fan on its air-conditioning

equipment, normal operating condition is the airflow 2500m<sup>3</sup>/h@200Pa, shaft power 168W (input power 210W), rotating speed 1660rpm and noise level 60dB.

The customer hopes that the airflow can be improved from 2500m<sup>3</sup>/h@200Pa to 3000m<sup>3</sup>/h@200Pa, in that they have increased the cooling area of the radiator. Can we match their airflow request with the same pressure? The other customer wishes to reduce the rotating speed to 1400rpm. Under the same pressure, what would the airflow, shaft power and noise level be?

**Answer 1:**

According to formula ①, we can calculate the rotating speed of the fan as below:

$$\frac{qv_2}{qv_1} = \frac{n_2}{n_1} \times \left\{ \frac{D_2}{D_1} \right\}^3 \rightarrow \frac{3000}{2500} = \frac{n_2}{1660}$$

∴ n<sub>2</sub> = 1990rpm

According to formula ③, we can calculate the shaft power of the fan as below:

$$\frac{P_{w2}}{P_{w1}} = \left\{ \frac{n_2}{n_1} \right\}^3 \times \left\{ \frac{D_2}{D_1} \right\}^5 \times \left\{ \frac{\rho_2}{\rho_1} \right\} \rightarrow \frac{P_{w2}}{168} = \left\{ \frac{1990}{1660} \right\}^3$$

∴ P<sub>w2</sub> = 290W the input power at this moment is 360W  
 After judgment on temperature rise, strength and life-time, the 102 series motors can be used under the condition of 3000m<sup>3</sup>@200Pa. This is a case of that the motor be used by increasing speed. When the calculating result exceeds the fan's maximum load capacity and motor temperature rise, we have to choose a bigger fan or reduce the rotating speed and the power to ensure the fan running under a safe state.

**Similarly to the circumstance of using fan by reducing its speed.**

According to formula ①, we can calculate the airflow of the fan as below:

$$\frac{qv_2}{qv_1} = \frac{n_2}{n_1} \times \left\{ \frac{D_2}{D_1} \right\}^3 \rightarrow \frac{qv_2}{2500} = \frac{1400}{1660}$$

∴ qv<sub>2</sub> = 2100 m<sup>3</sup>/h

According to formula ③, we can calculate the shaft power of the fan as below:

$$\frac{P_{w2}}{P_{w1}} = \left\{ \frac{n_2}{n_1} \right\}^3 \times \left\{ \frac{D_2}{D_1} \right\}^5 \times \left\{ \frac{\rho_2}{\rho_1} \right\} \rightarrow \frac{P_{w2}}{168} = \left\{ \frac{1400}{1660} \right\}^3$$

∴  $P_{w2} = 100W$ , the input power at this moment is 125W  
 According to formula ④, we can calculate the noise level of the fan as below:

$$L_p A_2 - L_p A_1 = 60dB \times \text{Log} \left\{ \frac{n_2}{n_1} \right\}$$

∴  $L_p A_2 = 55.5dB$

Based on above calculations, if noise level meets the requirement, we also need to judge whether the airflow can match the requirement or not.

### Case 2:

A certain customer who used an A450 axial fan on their cold storage equipment, the ambient temperature is always under  $-35^\circ C$ . The situation of motor burnt or low running speed happened on the fan when running the equipment, what is (are) the reason(s)? \*Product selection based on normal temperature, operating conditions: rotating speed 1400rpm, airflow  $5000m^3@40Pa$  and shaft power 290W (input power 360W).

### Answer 2:

After consideration, it's caused by the increased duty of the high density of the low ambient temperature. Under the same rotating speed, same sizes of equipment and fan conditions, we can find air densities of different temperatures:

**1.2 Kg/m<sup>3</sup>@-35°C, 0.92Kg/m<sup>3</sup>@25°C,**

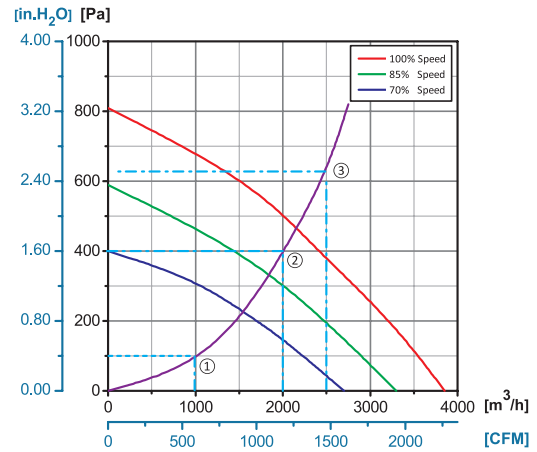
According to formula ③, we can calculate the shaft power of the fan as below:

$$\frac{P_{w2}}{P_{w1}} = \left\{ \frac{n_2}{n_1} \right\}^3 \times \left\{ \frac{D_2}{D_1} \right\}^5 \times \left\{ \frac{\rho_2}{\rho_1} \right\} \rightarrow \frac{P_{w2}}{290} = \frac{1.2}{0.92}$$

∴  $P_{w2} = 378W$ , the input power at this moment is 473W. Input power has increased about 31%, we have to consider the motor temperature rise, efficiency and mechanical characteristics when the duty is increased. In terms of the application of low temperature conditions, we suggest our customers to use a bigger fan to perform the higher load.

## 6. Resistance Curves

Resistance is a sum of all pressure losses of filters, pipes (ducts), condenser and mechanical structure. Below figure is resistance curves of a certain equipment.



Below is the system resistance curves relationship:

Formula ⑥ :

$$\frac{P_{sf2}}{P_{sf1}} = \left\{ \frac{qv_2}{qv_1} \right\}^2$$

From above figure,

Point 1:  $1000 m^3@100Pa$

Point 2:  $2000 m^3@400Pa$

Point 3:  $2500 m^3@625Pa$

That is, if the composition of the equipment is not changed, and the airflow needs to be increased twice, then we have to increase pressure up to 4 times to ensure the equipment operating normally.

**We can work out the power needed to overcome the resistance of the equipment from below formula:**

Formula ⑦ :

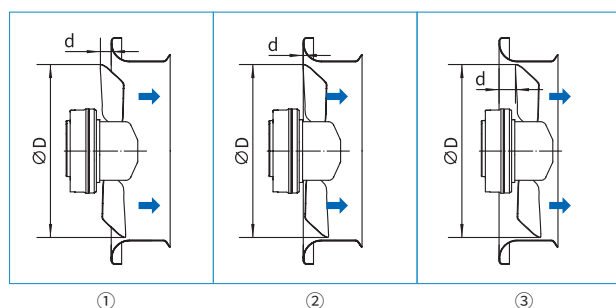
$$P = \frac{qv \times p}{3600 \times 1000}$$

Please keep a margin when selecting fans since there are some different test conditions between development and application.

From above Figure, if we choose point 1 and point 2 as working points, the fan can pass the test and meet the requirement. But point 3 is out of the usable range, so we have to choose a suitable fan for this working point. Normally, the fan features and engineering capabilities are relatively stable, if there's a deviation between design and practical application, which is substantially caused by the changes of equipment or environment.

## 7. Matters Needing Attention For Applying the Fan

### 7.1 Impact of Axial Fan Inlet Ring Position

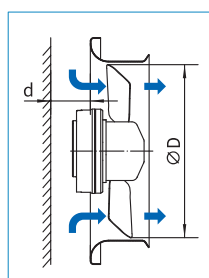


It may efficiently improve the airflow, pressure and efficiency of the fan during using the inlet ring. The different positions will bring different results. See details below:

	Pressure (Max.)	Airflow (the same pressure)
$d/D=10\%$ ①	96%	96%
$d/D=5\%$	97.8%	97.8%
$d/D=0\%$ ②	<b>100% Benchmark</b>	<b>100% Benchmark</b>
$d/D=-5\%$	100%	96.2%
$d/D=-10\%$ ③	100%	92%

The data above were worked out from plenty of practical tests just for references. Because of the differences of equipment types, structures, environments and so on during in real application, the impacts maybe also different from the data above.

## 7.2 Impact of Mounting Position of Axial Fan-1

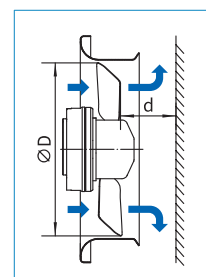


It may efficiently improve the airflow, pressure and efficiency of the fan during using the inlet ring. The different positions will bring different results. Details are as follows:

	Pressure (Max.)	Airflow (the same pressure)
$d/D=\infty$	<b>100% Benchmark</b>	<b>100% Benchmark</b>
$d/D=40\%$	76%	95%
$d/D=20\%$	55%	91%
$d/D=10\%$	32%	65%
$d/D=5\%$	16%	N/A

The impact of this installation of fan is very huge for pressure and airflow, especially for the pressure, so please avoid installing fan by this way. The data above were worked out from plenty of practical tests just for references. Because of the differences of equipment types, structures, environments and so on during in real application, the impacts maybe also different from the data above.

## 7.3 Impact of Mounting Position of Axial Fan-2

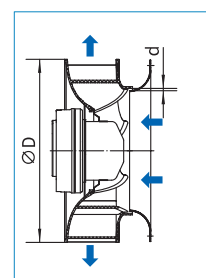


Details are as follows:

	Pressure (Max.)	Airflow (the same pressure)
$d/D=\infty$	<b>100% Benchmark</b>	<b>100% Benchmark</b>
$d/D=40\%$	100%	97.5%
$d/D=20\%$	100%	90%
$d/D=10\%$	100%	70%
$d/D=5\%$	100%	34%

This installation has a certain effect on output airflow, so please keep a space in output direction as much as possible. The data above were worked out from plenty of practical tests just for references. Because of the differences of equipment types, structures, environments and so on during in real application, the impacts maybe also different from the data above.

## 7.4 Impact of Gap of Centrifugal Fan Inlet Ring-1

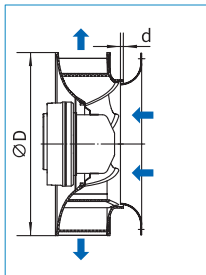


It may efficiently improve the airflow, pressure and efficiency of the fan during using the inlet ring. The different gaps will bring different results in real application. Details are as follows:

	Pressure (Max.)	Airflow ( the same pressure)
$d/D=0.5\%$	<b>100% Benchmark</b>	<b>100% Benchmark</b>
$d/D=1.0\%$	100%	97.2%
$d/D=2.0\%$	100%	94%

Theoretically, the smaller of the gap between the inlet ring and the inlet of impeller is the better airflow and efficiency. But limited by the precision of parts, assembling tolerances and the deformation of equipment, we recommend our customers to use Dunli standard inlet rings or take the  $a/D$  range from 1.0% to 2.0%. The data above were worked out from plenty of practical tests just for references. Because of the differences of equipment types, structures, environments and so on during in real application, the impacts maybe also different from the data above.

### 7.5 Impact of Gap of Centrifugal Fan Inlet Ring-2



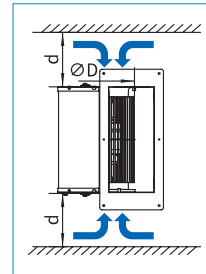
Details are as follows:

	Pressure (Max.)	Airflow ( the same pressure)
$d/D=1.0\%$	<b>100% Benchmark</b>	<b>100% Benchmark</b>
$d/D=0.0\%$	100%	97%
$d/D=-1.0\%$	95%	90%

There' s a reasonable value of inlet ring insert dimension, too much would be a mechanical interference, too less may cause airflow loss and low efficiency of the fan. But limited by the precision of parts, assembling tolerances and the deformation of equipment, we recommend our customers to take the  $d/D$  with 1% for application. The data above were worked out from plenty of practical tests just for references. Because of

the differences of equipment types, structures, environments and so on during in real application, the impacts maybe also different from the data above.

### 7.6 Impact of Inlet Distance of Centrifugal Fan Inlet Ring



Details are as follows:

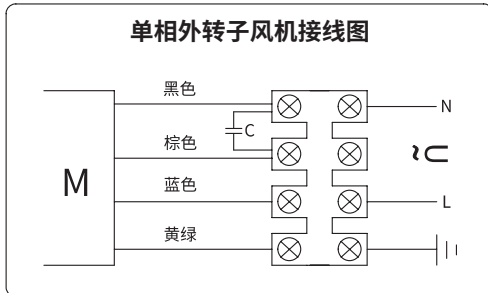
	Pressure (Max.)	Airflow ( the same pressure)
$d/D=1.0\%$	<b>100% Benchmark</b>	<b>100% Benchmark</b>
$d/D=0.0\%$	100%	97%
$d/D=-1.0\%$	95%	90%

Theoretically, the bigger of the distance is the better airflow and efficiency. But with the limitation of equipment dimensions during design, we recommend our customers to ensure the  $d/D$  within 50% as much as possible, or to drill inlets on the sheet metal of the cabinet that is helpful for fan efficiency. The data above were worked out from plenty of practical tests just for references. Because of the differences of equipment types, structures, environments and so on during in real application, the impacts maybe also different from the data above.

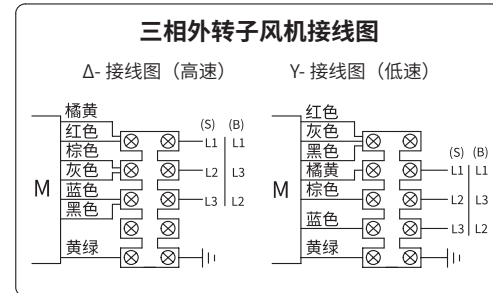


# 交流风机接线图

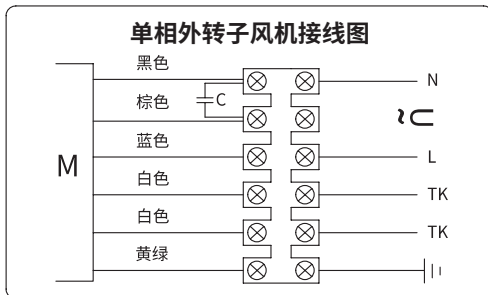
## 1、单相单速接线图



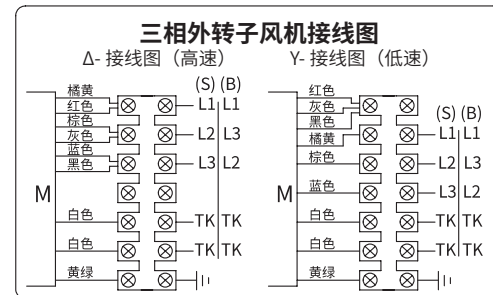
## 5、三相双速接线图



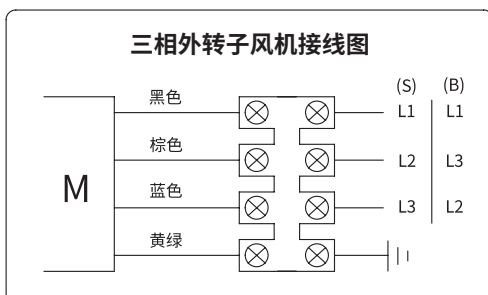
## 2、单相单速接线图 (外接热保护器)



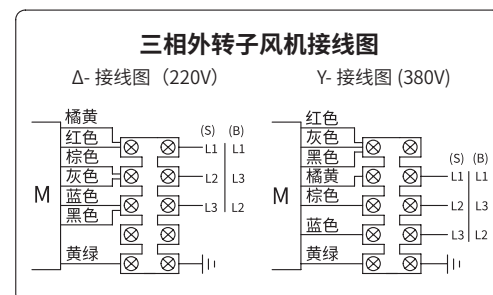
## 6、三相双速接线图 (外接热保护器)



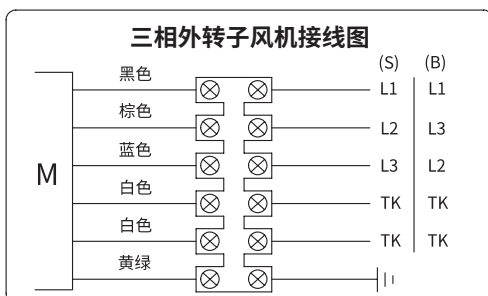
## 3、三相单速接线图



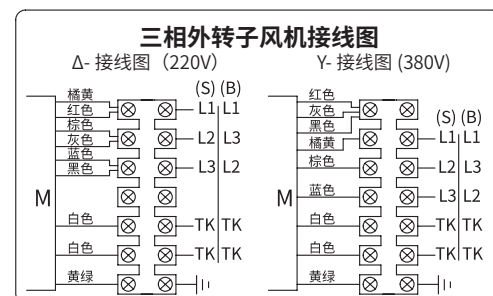
## 7、三相双电压接线图



## 4、三相外接热保护器接线图

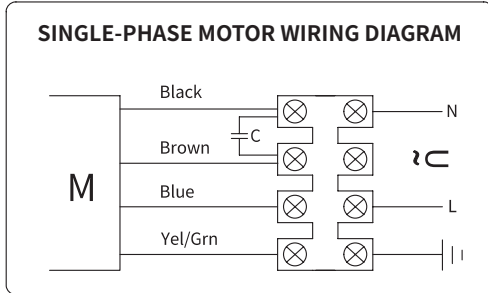


## 8、三相双电压接线图 (外接热保护器)

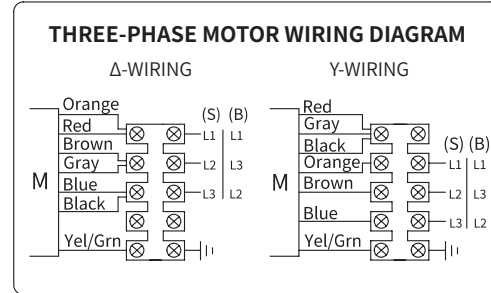


# AC Motor Fan Wiring Diagrams

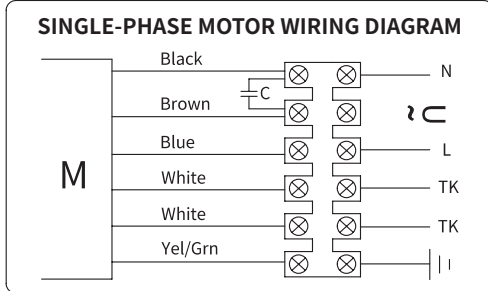
## 1. Single-phase motor



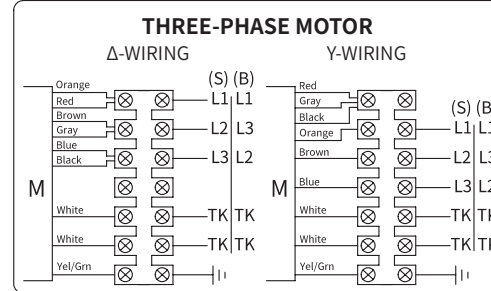
## 5. Two-speed three-phase motor



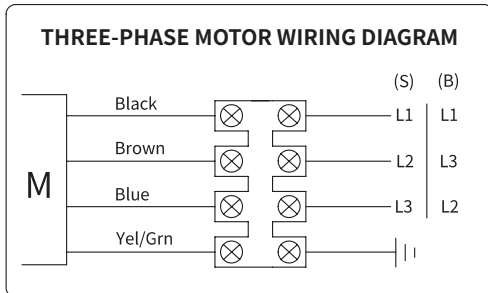
## 2. Single-phase motor with external wiring thermal protector



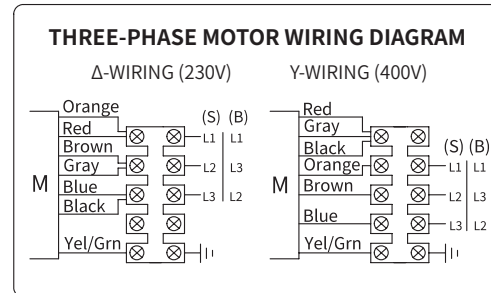
## 6. Two-speed three-phase motor with external wiring thermal protector



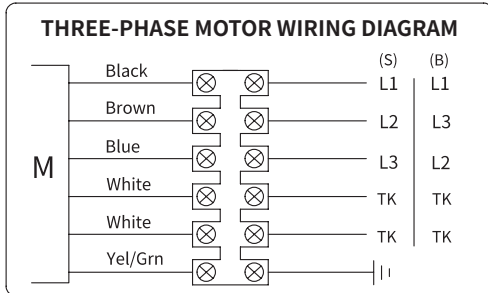
## 3. Three-phase motor



## 7. Two-voltage three-phase motor



## 4. Three-phase motor with external wiring thermal protector



## 8. Two-voltage three-phase motor with external wiring thermal protector

